

US00D540251S

(12) **United States Design Patent**
Schmidt et al.

(10) **Patent No.:** **US D540,251 S**

(45) **Date of Patent:** **** Apr. 10, 2007**

(54) **INTERFACIAL ADAPTER**

(75) Inventors: **Axel Schmidt**, Wedemark (DE);
Michael Nickel, Wedemark (DE)

(73) Assignee: **Sennheiser electronic GmbH Co. KG**,
Wedemark (DE)

(**) Term: **14 Years**

(21) Appl. No.: **29/198,557**

(22) Filed: **Jan. 30, 2004**

(30) **Foreign Application Priority Data**

Aug. 12, 2003 (DE) 4 03 05 331

(51) **LOC (8) Cl.** **13-02**

(52) **U.S. Cl.** **D13/101**

(58) **Field of Classification Search** D13/101,
D13/110, 133, 154, 184, 199; D14/204-206,
D14/221, 225-226, 228-229; 438/278, 476.1,
438/894

See application file for complete search history.

(56) **References Cited**

U.S. PATENT DOCUMENTS

2,263,668 A * 11/1941 Woodworth 362/86
D240,834 S * 8/1976 O'Brien D13/101
D278,625 S * 4/1985 Mathiasen D14/228
D289,835 S * 5/1987 Schoenig et al. D6/462

5,024,407 A * 6/1991 Bartley 248/164
D359,051 S * 6/1995 Hirschhorn D14/228
D457,491 S * 5/2002 Kaiser et al. D13/101
6,480,613 B1 * 11/2002 Choi 381/386
D479,227 S * 9/2003 Marshall D14/228
2003/0127572 A1 * 7/2003 Meyer 248/125.8

* cited by examiner

Primary Examiner—Daniel Bui

(74) *Attorney, Agent, or Firm*—Reed Smith LLP

(57) **CLAIM**

The ornamental design or an interfacial adapter, as shown and described.

DESCRIPTION

FIG. 1 is a top plan view for an interfacial adapter, showing our new design;

FIG. 2 is a top and right side view thereof;

FIG. 3 is a right side view thereof;

FIG. 4 is a rear side view thereof;

FIG. 5 is a front view thereof;

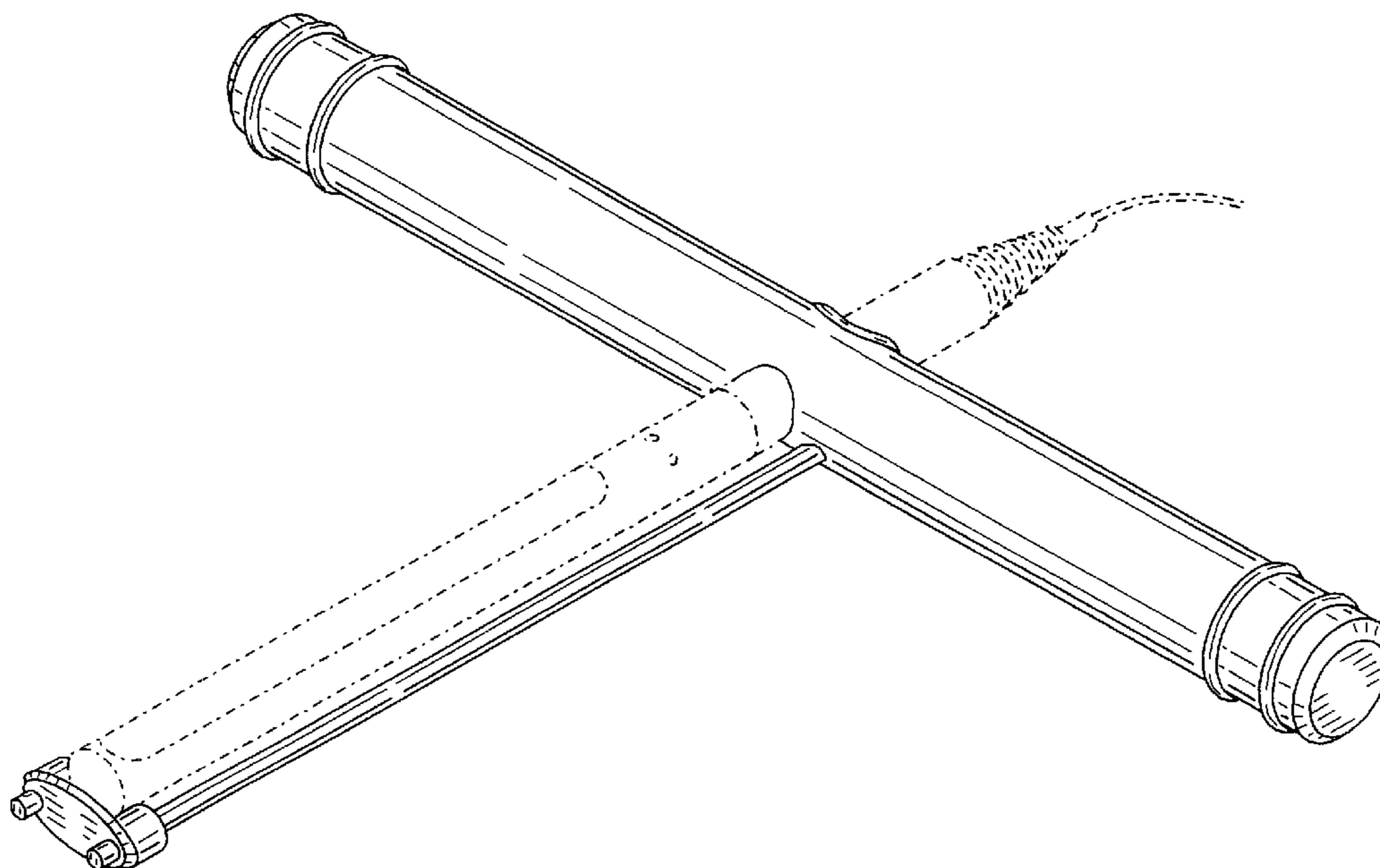
FIG. 6 is a bottom plan view thereof;

FIG. 7 is a top, front, and right side view thereof; and,

FIG. 8 is a top, front and right side view of the claimed invention in use condition.

The broken line showing of the environment is for illustrative purposes only and forms no part of the claimed design.

1 Claim, 5 Drawing Sheets



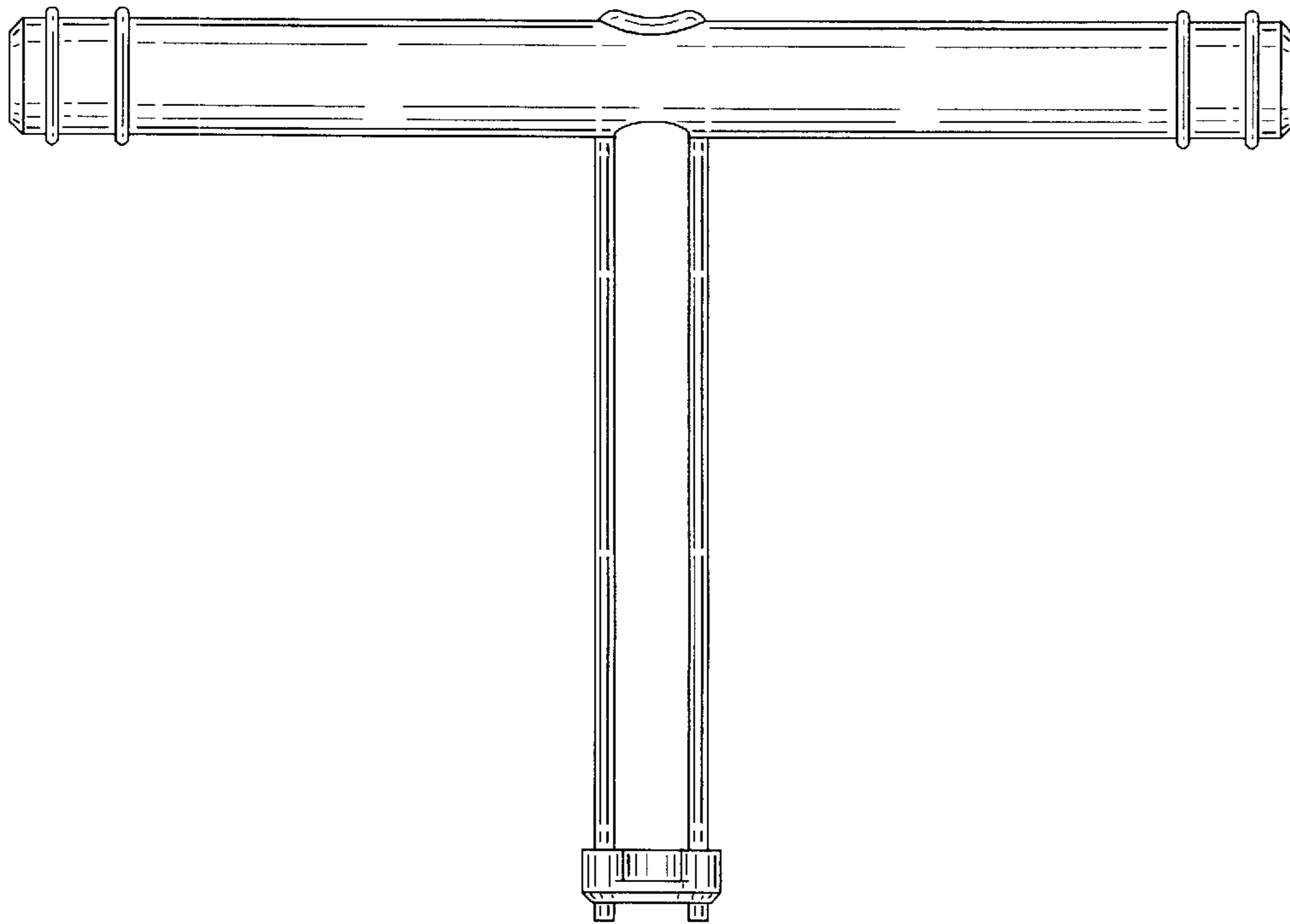


FIG. 1

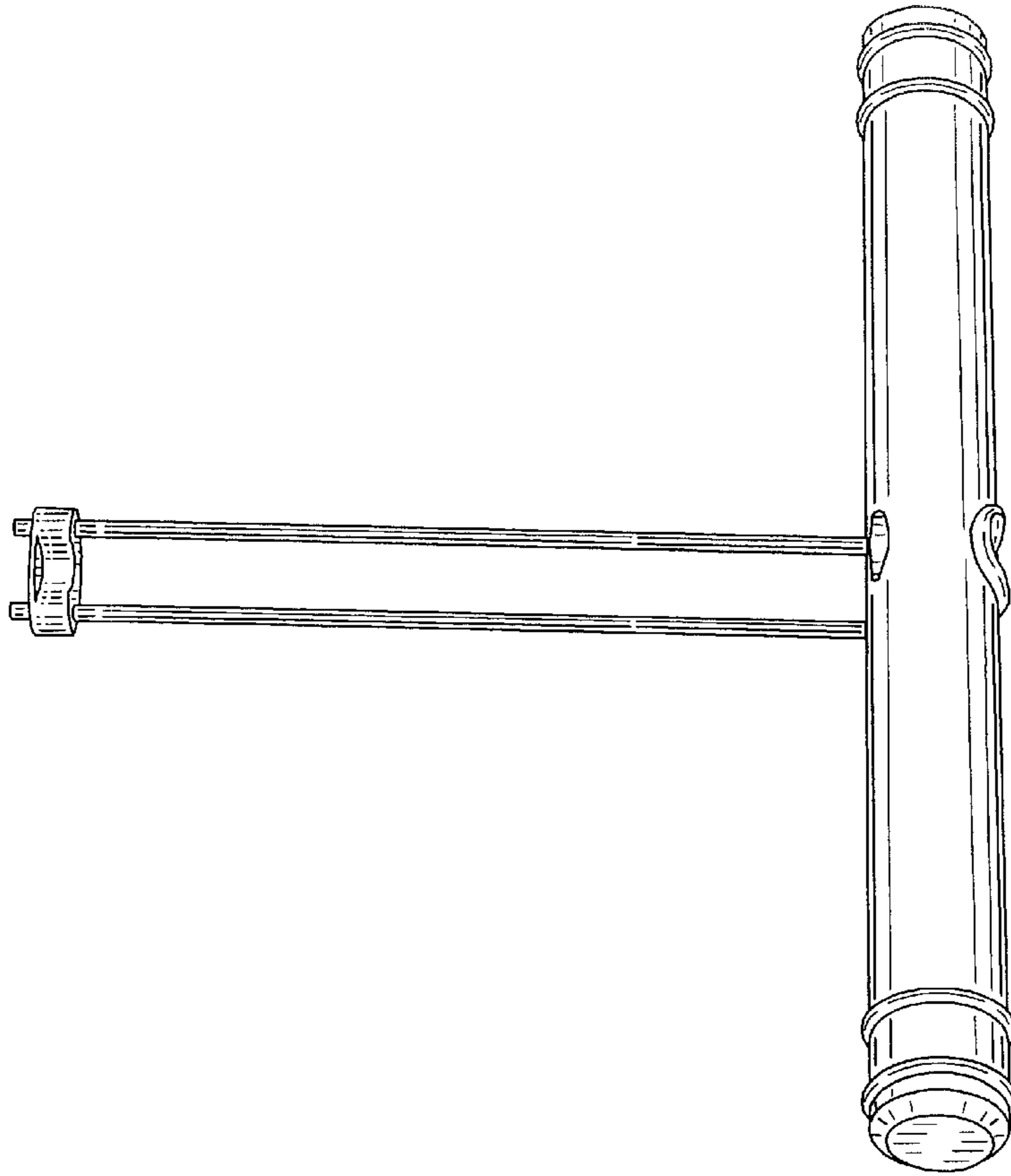


FIG. 2

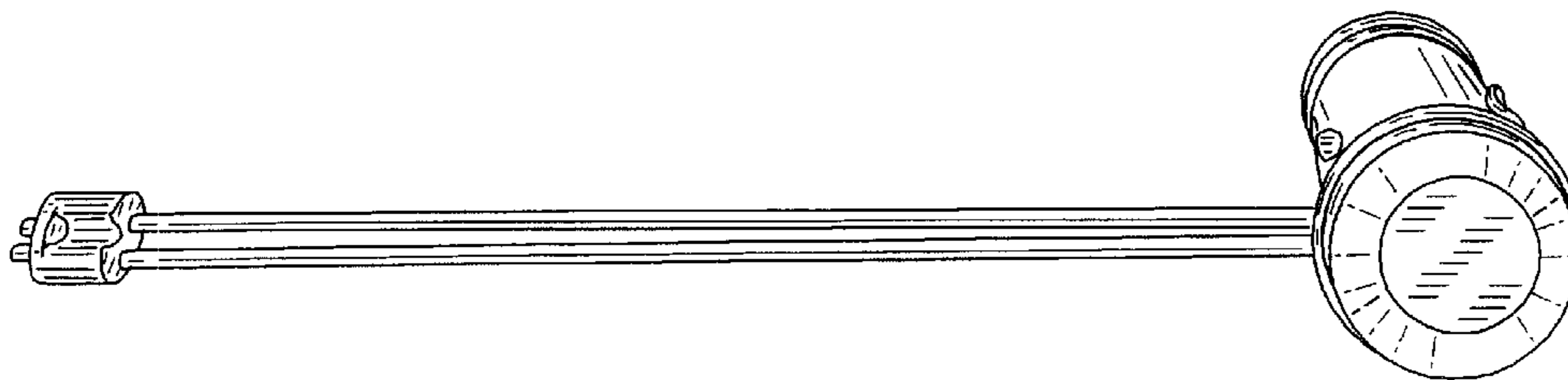


FIG. 3

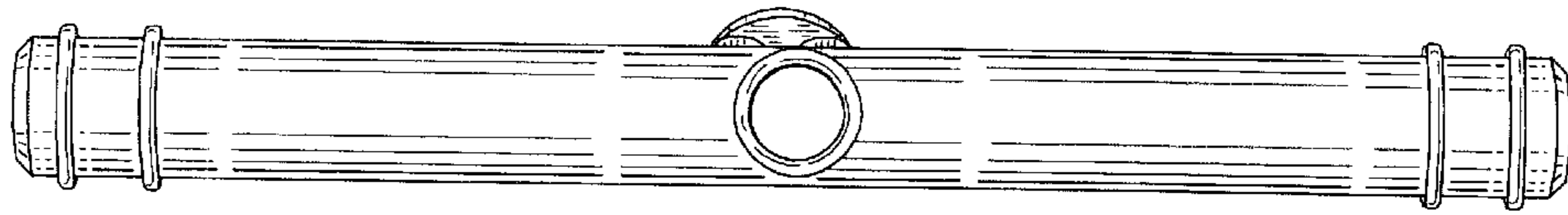


FIG. 4

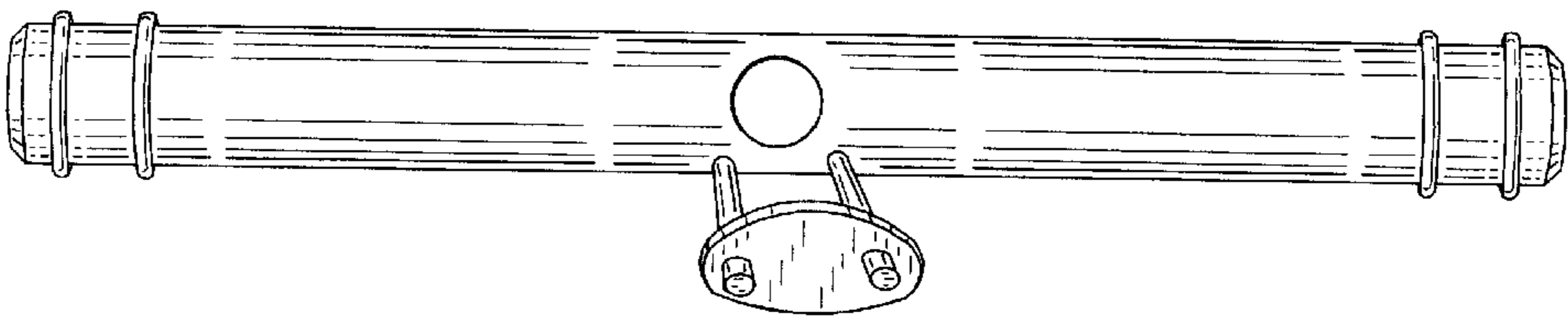


FIG. 5

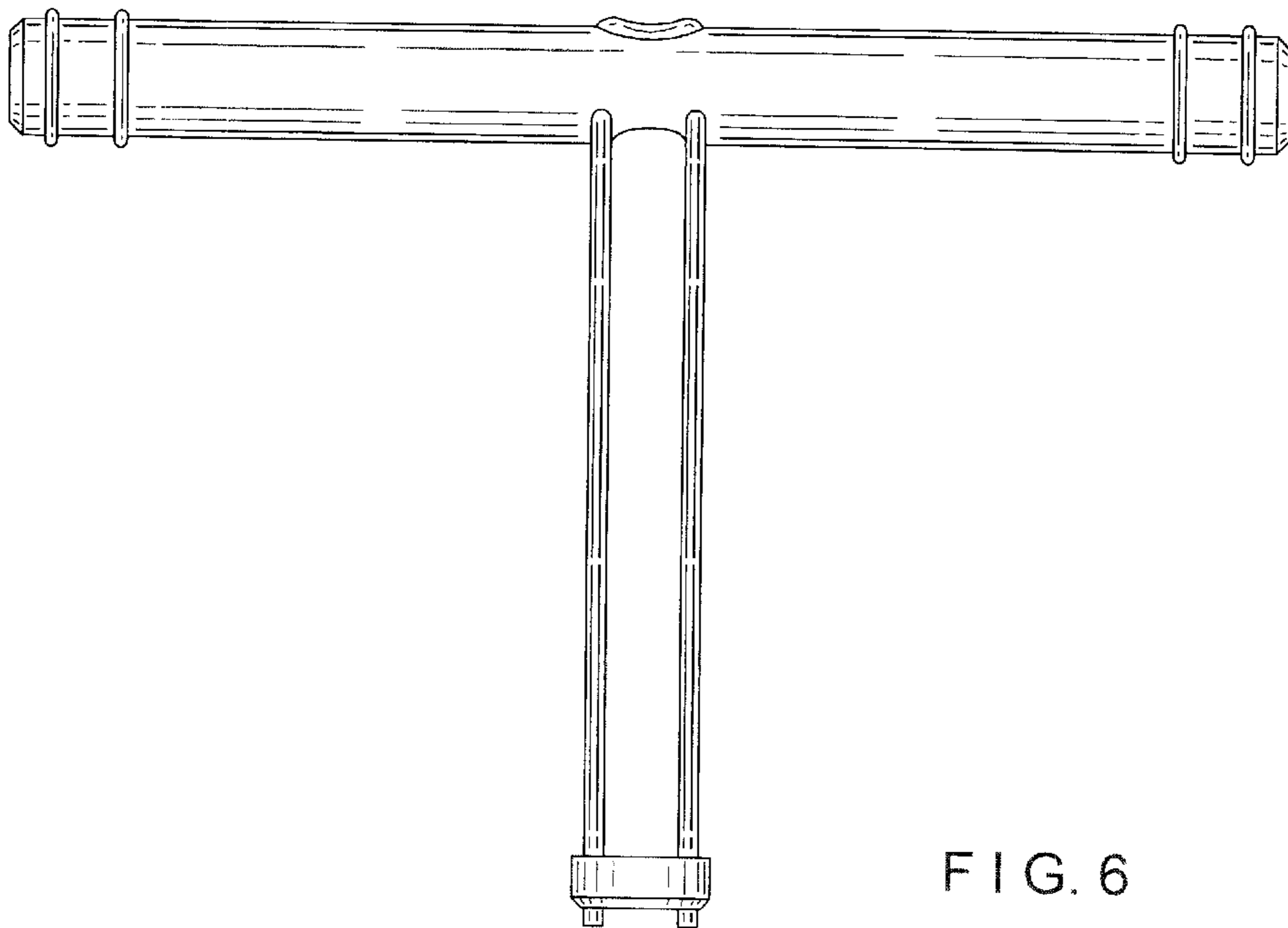


FIG. 6

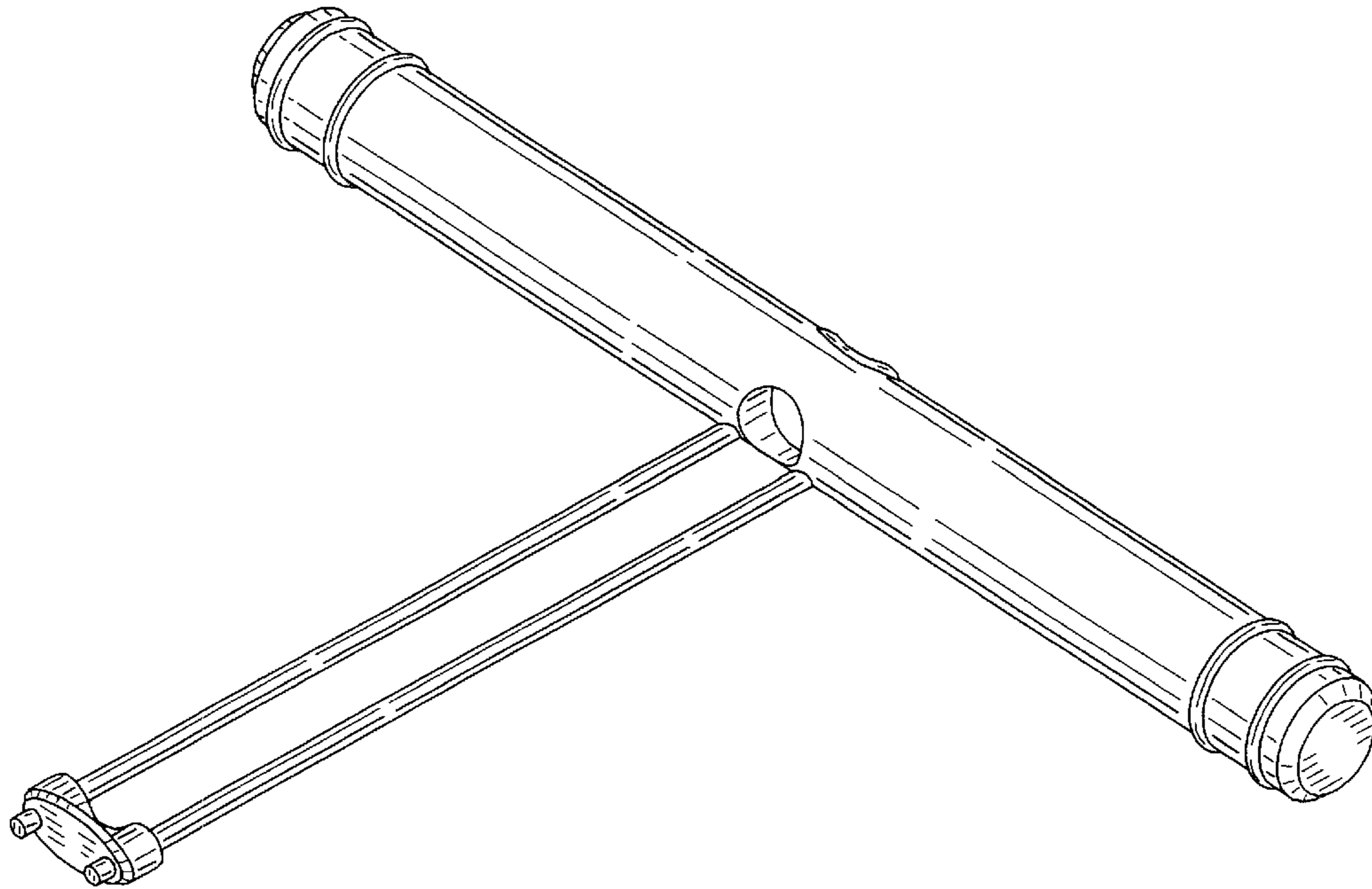


FIG. 7

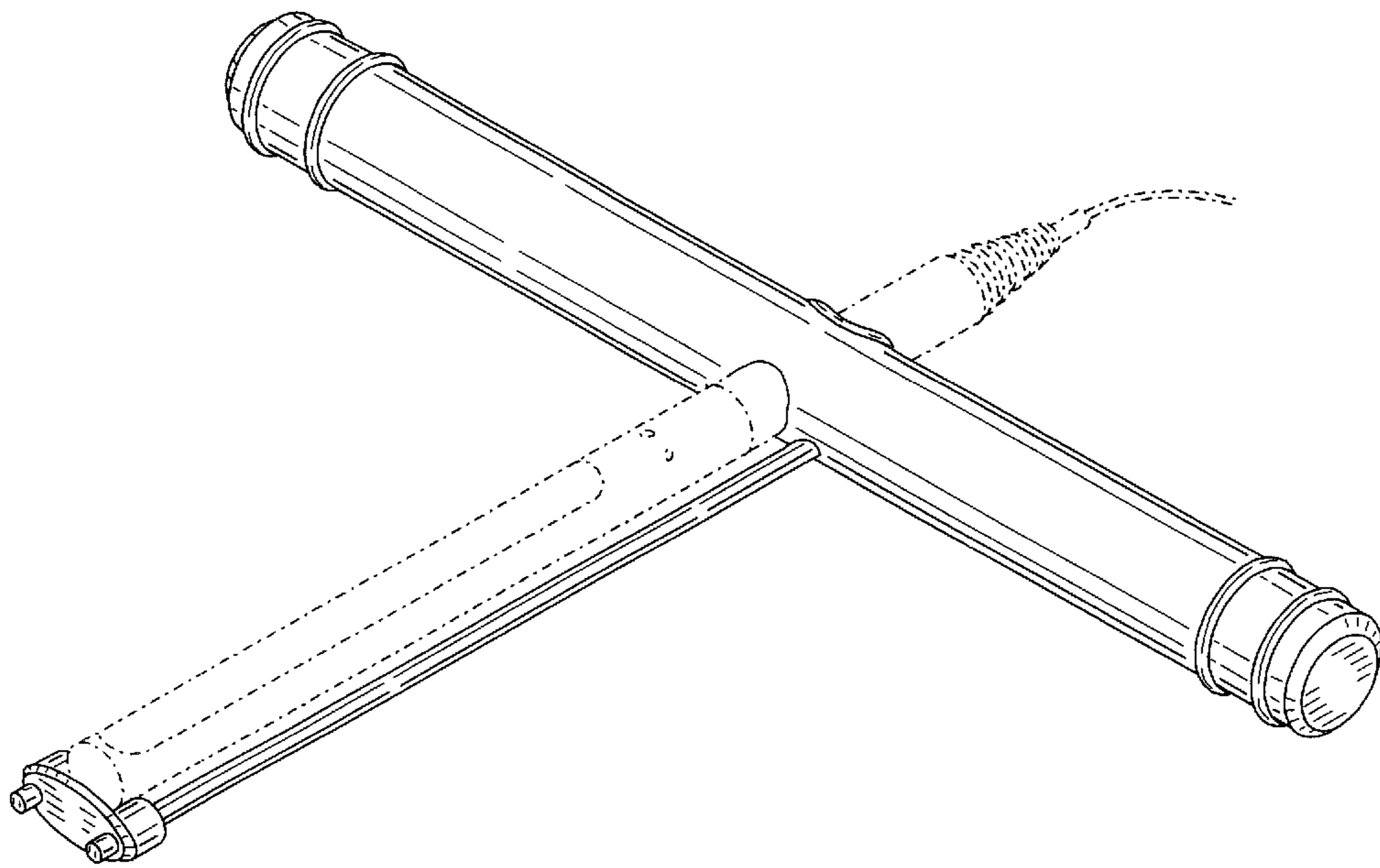


FIG. 8