

US00D540240S

(12) **United States Design Patent**  
**Kountouras**

(10) **Patent No.:** **US D540,240 S**

(45) **Date of Patent:** **\*\* Apr. 10, 2007**

(54) **FRONT FACE OF A VEHICLE WHEEL**

(75) Inventor: **Miltos Oliver Kountouras**, Vasoldberg  
(AT)

(73) Assignee: **Bayerische Motoren Werke**  
**Aktiengesellschaft**, Munich (DE)

(\*\*) Term: **14 Years**

D503,668 S	*	4/2005	Boyer	.....	D12/209
D504,097 S	*	4/2005	Markefka	.....	D12/209
D504,648 S	*	5/2005	Pfeiffer	.....	D12/209
D516,002 S	*	2/2006	Fahr-Becker	.....	D12/211
D518,765 S	*	4/2006	Gabath	.....	D12/209
D521,438 S	*	5/2006	Nordmann	.....	D12/211
D522,434 S	*	6/2006	Langer	.....	D12/209
D525,184 S		7/2006	Huet		
D530,252 S	*	10/2006	Gabath	.....	D12/209
D530,257 S	*	10/2006	Pfeiffer	.....	D12/211

(21) Appl. No.: **29/263,707**

(22) Filed: **Jul. 28, 2006**

(30) **Foreign Application Priority Data**

Jan. 31, 2006 (EM) ..... 000473517-0001

(51) **LOC (8) Cl.** ..... **12-16**

(52) **U.S. Cl.** ..... **D12/211**

(58) **Field of Classification Search** ..... D12/204-213;  
301/37.101, 64.101, 65  
See application file for complete search history.

(56) **References Cited**

**U.S. PATENT DOCUMENTS**

D460,037 S	*	7/2002	Takechi	.....	D12/211
D469,048 S	*	1/2003	van Hooydonk	.....	D12/209
D477,262 S	*	7/2003	Koch	.....	D12/209
D487,881 S	*	3/2004	Laengerer	.....	D12/209
D488,420 S	*	4/2004	Murkett et al.	.....	D12/209

**FOREIGN PATENT DOCUMENTS**

EM 000422795-0004 12/2005

\* cited by examiner

*Primary Examiner*—Stacia Cadmus

(74) *Attorney, Agent, or Firm*—Crowell & Moring LLP

(57) **CLAIM**

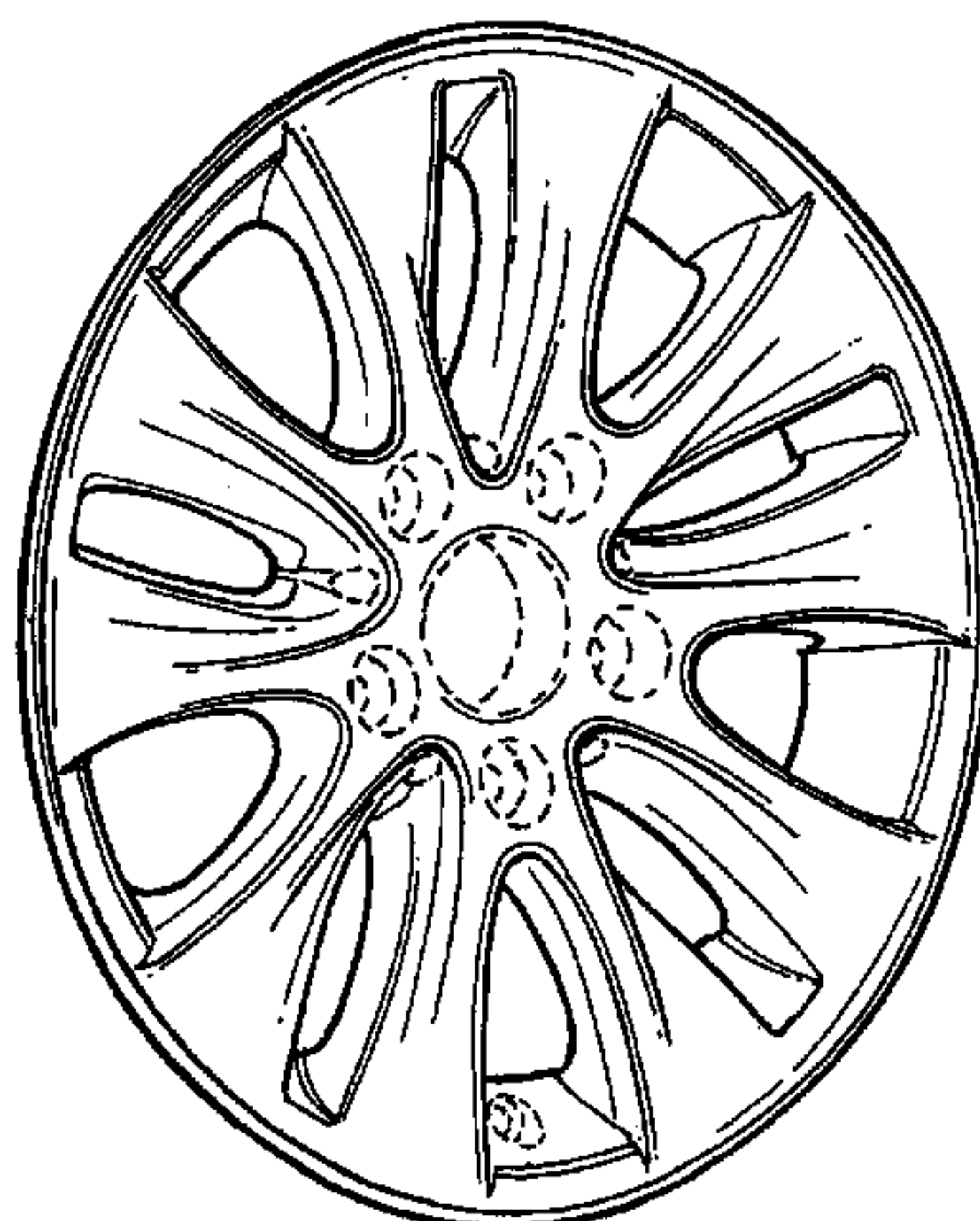
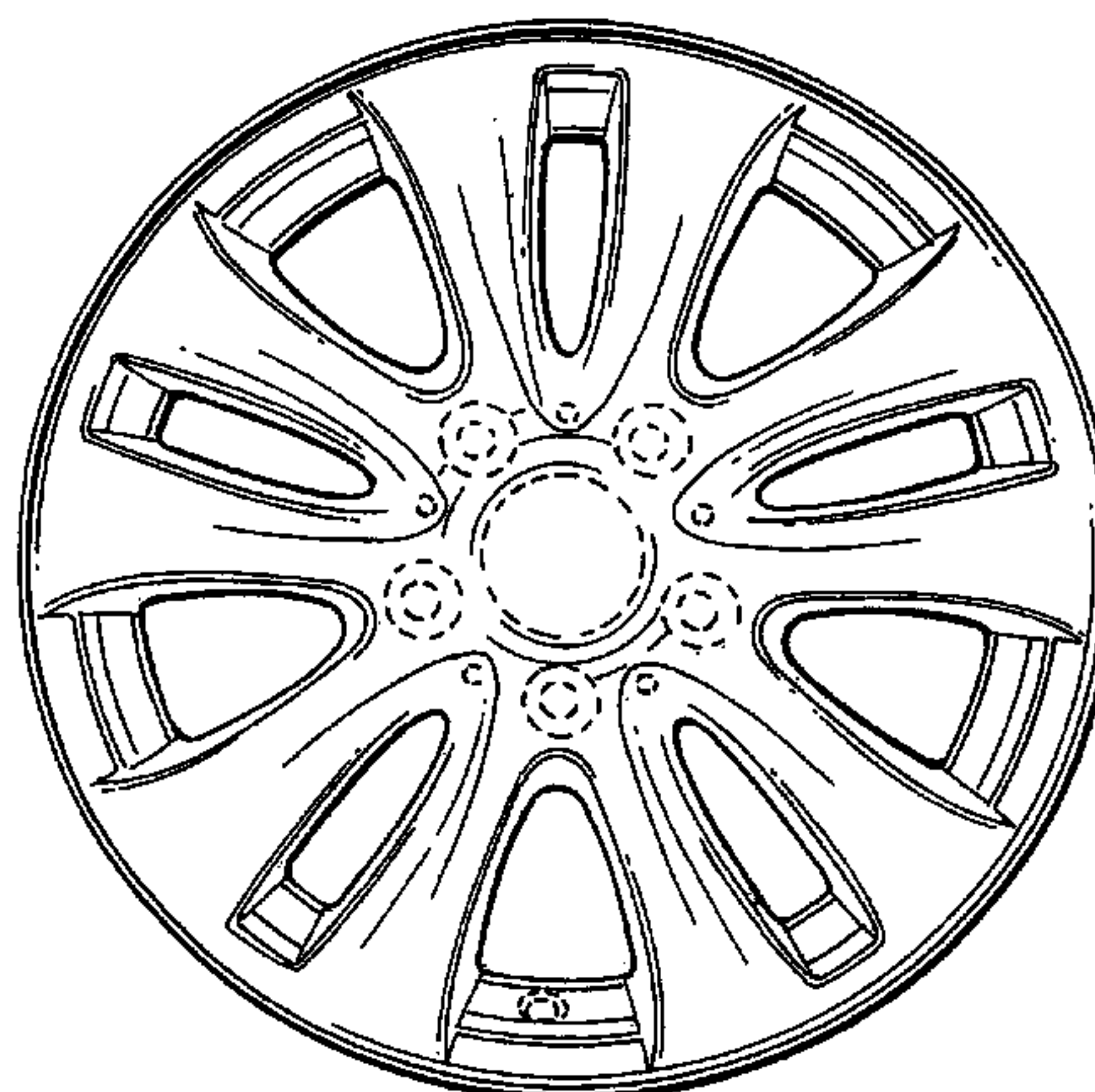
The ornamental design for a front face of a vehicle wheel, as shown and described.

**DESCRIPTION**

FIG. 1 is a front view of a front face of a vehicle wheel according to my novel design; and, FIG. 2 is a perspective view thereof.

The broken lines are for illustrative purposes only and form no part of the claimed design.

**1 Claim, 1 Drawing Sheet**



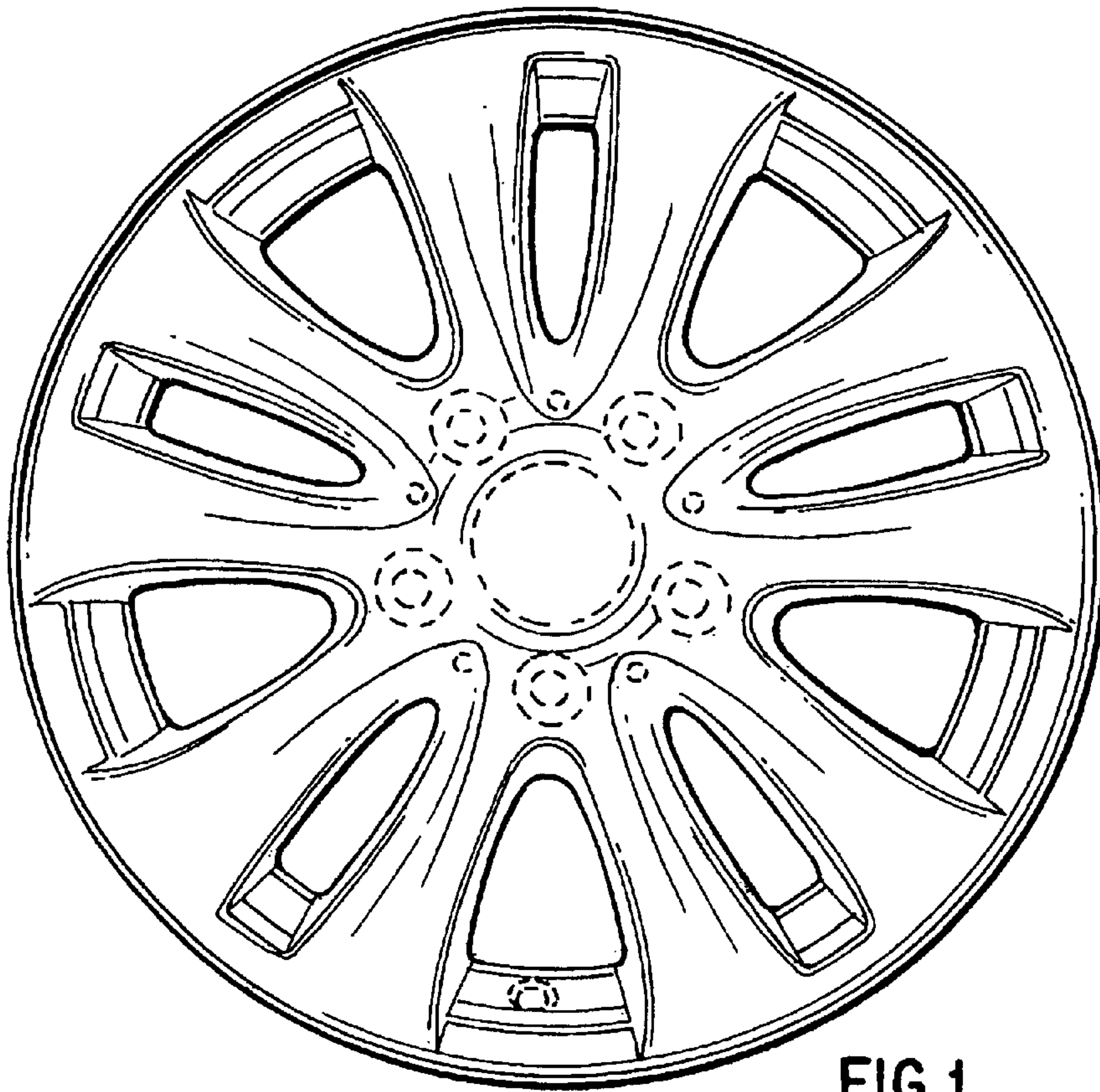


FIG. 1

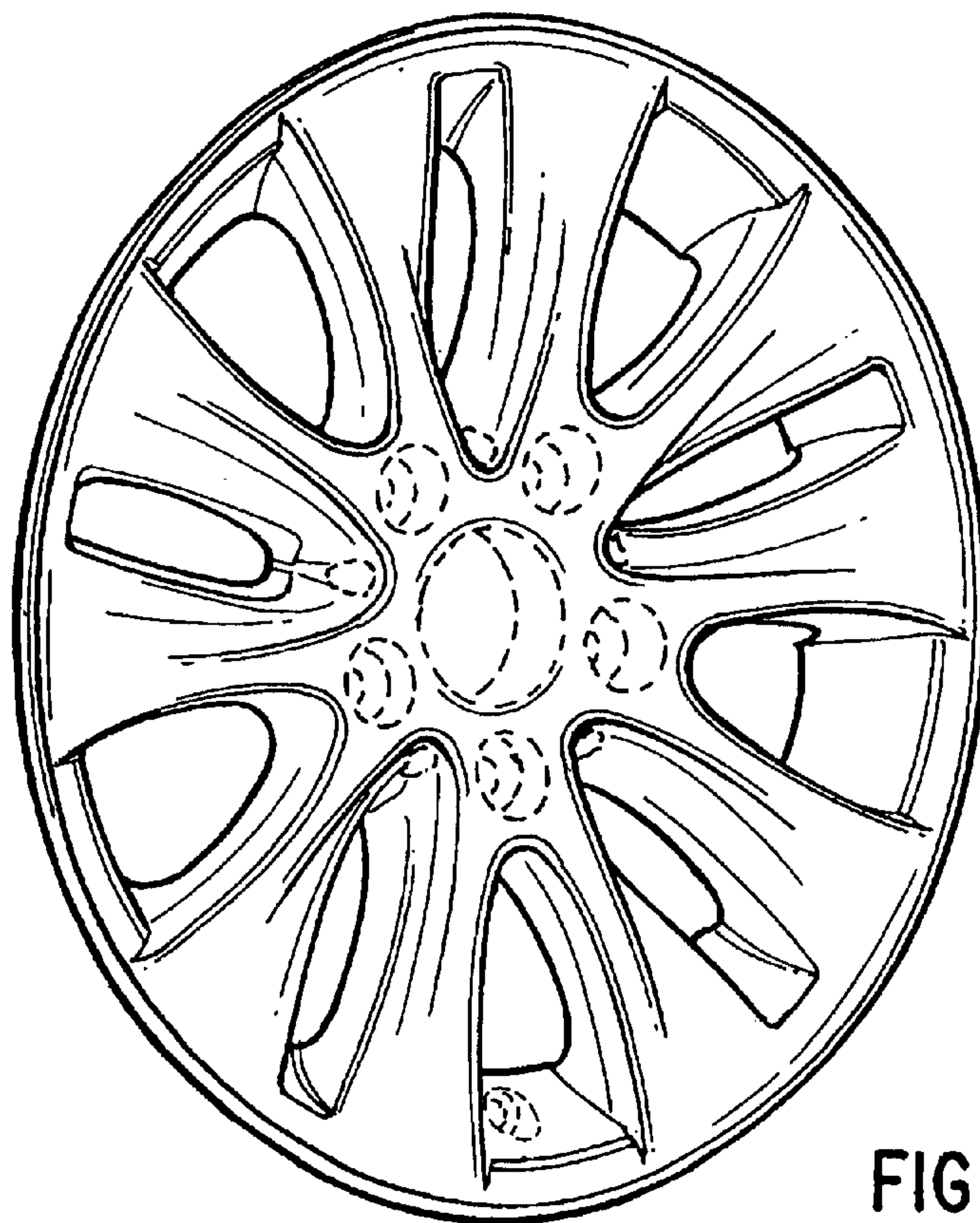


FIG. 2