

US00D540238S

(12) **United States Design Patent**
Sycha

(10) **Patent No.:** **US D540,238 S**

(45) **Date of Patent:** **** Apr. 10, 2007**

(54) **FRONT FACE OF A VEHICLE WHEEL**

(75) Inventor: **Thomas Peter Sycha**, Munich (DE)

(73) Assignee: **Bayerische Motoren Werke Aktiengesellschaft**, Munich (DE)

(**) Term: **14 Years**

(21) Appl. No.: **29/265,367**

(22) Filed: **Aug. 31, 2006**

(30) **Foreign Application Priority Data**

Mar. 1, 2006 (DE) 4 06 01 173

(51) **LOC (8) Cl.** **12-16**

(52) **U.S. Cl.** **D12/209**

(58) **Field of Classification Search** D12/204-213;
301/37.101, 64.101, 65

See application file for complete search history.

(56) **References Cited**

U.S. PATENT DOCUMENTS

D419,946 S * 2/2000 Goplen D12/211
D457,478 S * 5/2002 Minamisawa D12/211

D469,048 S * 1/2003 van Hooydonk D12/209
D487,881 S * 3/2004 Laengerer D12/209
D503,668 S * 4/2005 Boyer D12/209
D504,097 S * 4/2005 Markefka D12/209
D518,765 S * 4/2006 Gabath D12/209
D521,438 S * 5/2006 Nordmann D12/211
D522,434 S * 6/2006 Langer D12/209
D526,610 S * 8/2006 Muzzarelli D12/211
D528,061 S * 9/2006 Saridakis et al. D12/211
D530,252 S * 10/2006 Gabath D12/209

* cited by examiner

Primary Examiner—Stacia Cadmus

(74) *Attorney, Agent, or Firm*—Crowell & Moring LLP

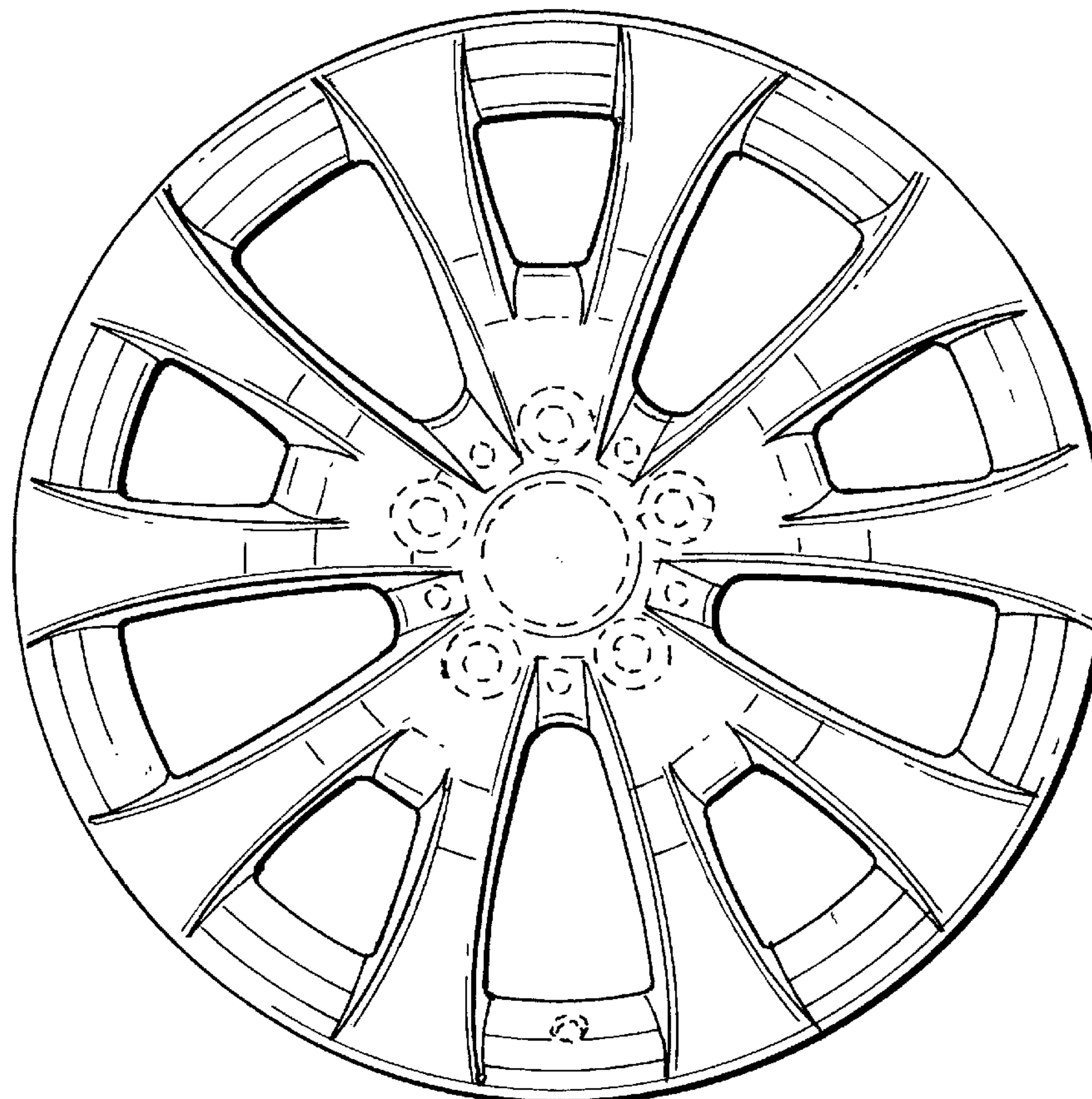
(57) **CLAIM**

The ornamental design for a front face of a vehicle wheel, as shown and described.

DESCRIPTION

FIG. 1 is a front view of a front face of a vehicle wheel according to my novel design; and, FIG. 2 is a perspective view thereof. The broken lines are for illustrative purposes only and form no part of the claimed design.

1 Claim, 1 Drawing Sheet



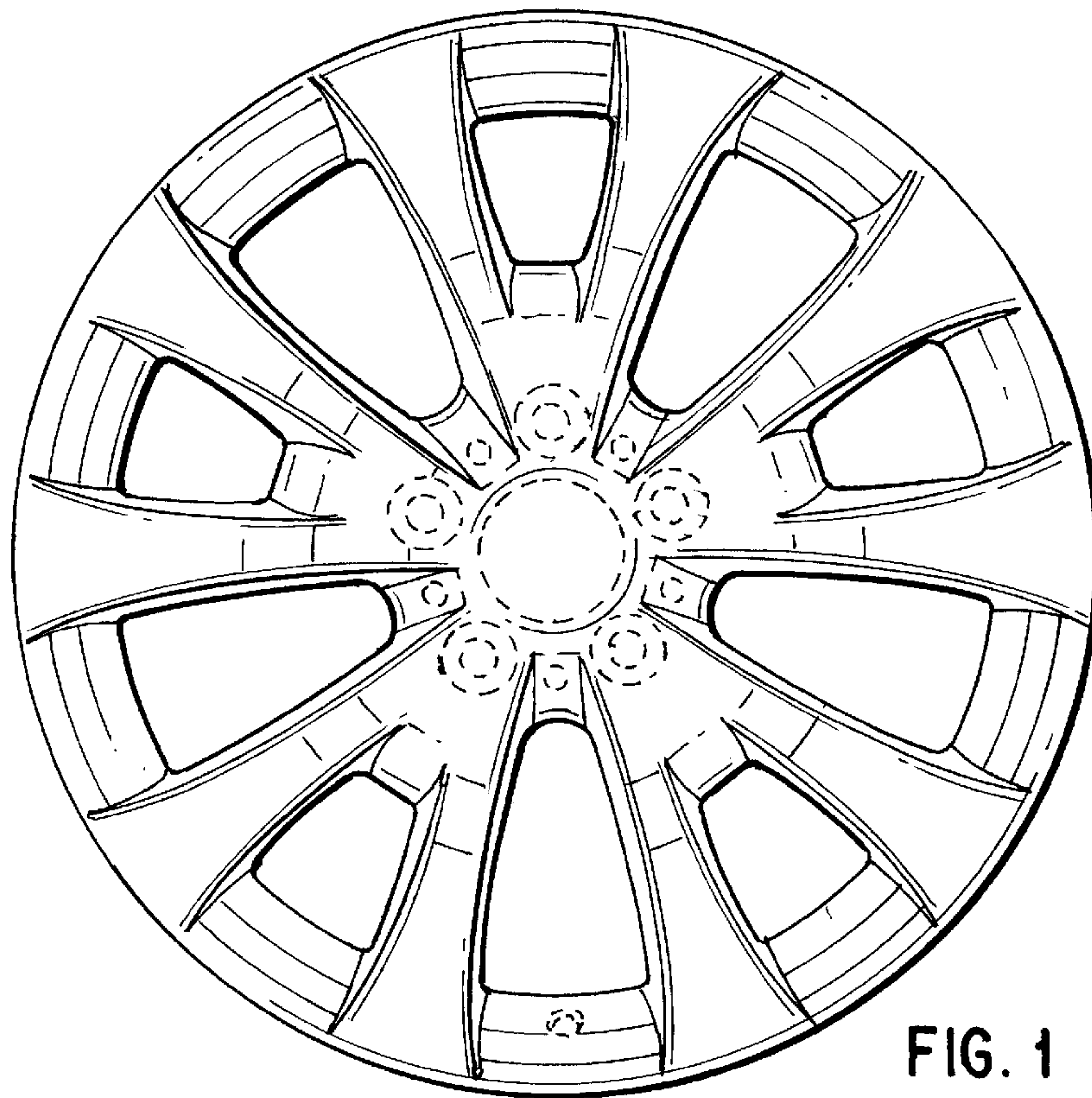


FIG. 1

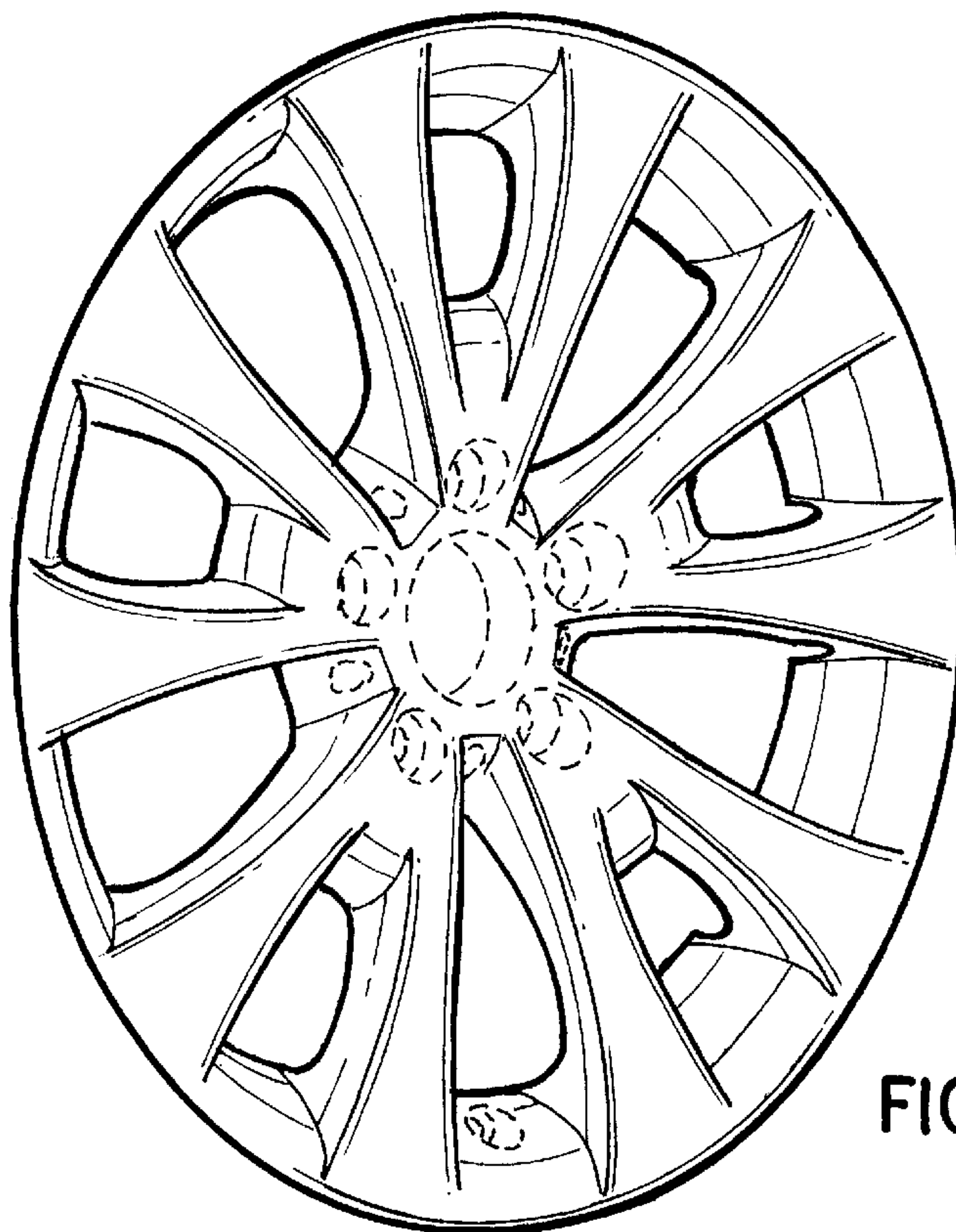


FIG. 2