

US00D540237S

(12) **United States Design Patent**
Kim

(10) **Patent No.:** **US D540,237 S**

(45) **Date of Patent:** **** Apr. 10, 2007**

(54) **AUTOMOTIVE WHEEL**

(75) Inventor: **Young H. Kim**, La Habra, CA (US)

(73) Assignee: **The Wheel Group**, Industry, CA (US)

(**) Term: **14 Years**

(21) Appl. No.: **29/263,111**

(22) Filed: **Jul. 17, 2006**

(51) **LOC (8) Cl.** **12-16**

(52) **U.S. Cl.** **D12/209**

(58) **Field of Classification Search** D12/204-213;
301/37.101, 64.101, 65

See application file for complete search history.

(56) **References Cited**

U.S. PATENT DOCUMENTS

D422,258 S	*	4/2000	Hale, Jr.	D12/211
D480,343 S	*	10/2003	Oh	D12/209
D495,285 S	*	8/2004	Phillips	D12/209
D499,062 S	*	11/2004	Cheng	D12/209
D500,977 S	*	1/2005	Kushartanto	D12/209

D503,919 S * 4/2005 Cahyono D12/211

D505,372 S * 5/2005 Kushartanto D12/209

D508,452 S * 8/2005 Tirado D12/209

D515,001 S * 2/2006 Looho D12/209

D516,982 S * 3/2006 Gallert D12/209

D521,920 S * 5/2006 Phillips D12/209

D524,711 S * 7/2006 Marji D12/209

* cited by examiner

Primary Examiner—Stacia Cadmus

(57) **CLAIM**

The ornamental design for an automotive wheel, as shown and described.

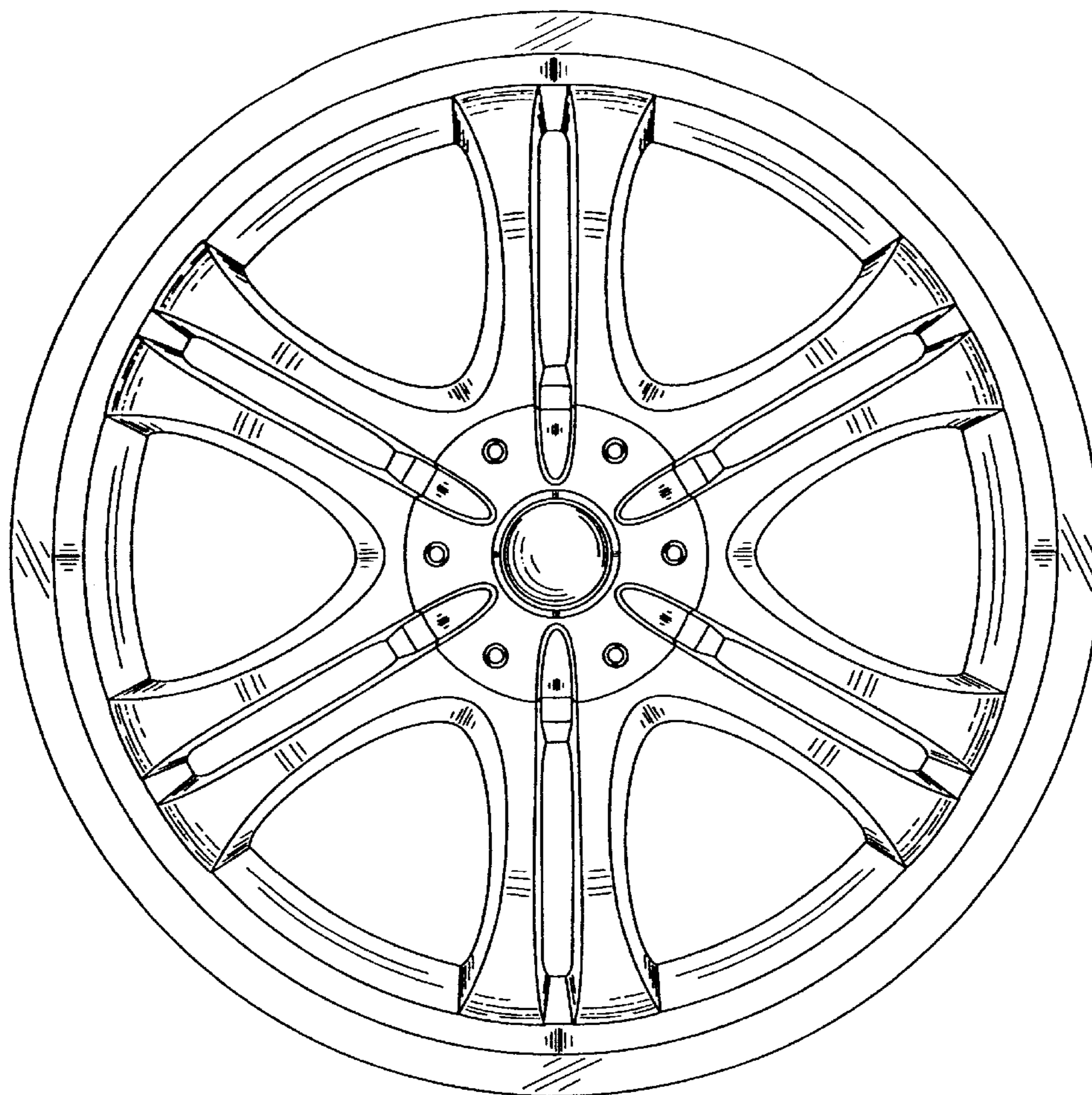
DESCRIPTION

FIG. 1 is a perspective view of an automotive wheel showing my new design; and,

FIG. 2 is a front elevational view of an automotive wheel showing the design herein described.

The broken lines showing the environment are for illustrative purposes only, and form no part of the claimed design.

1 Claim, 2 Drawing Sheets



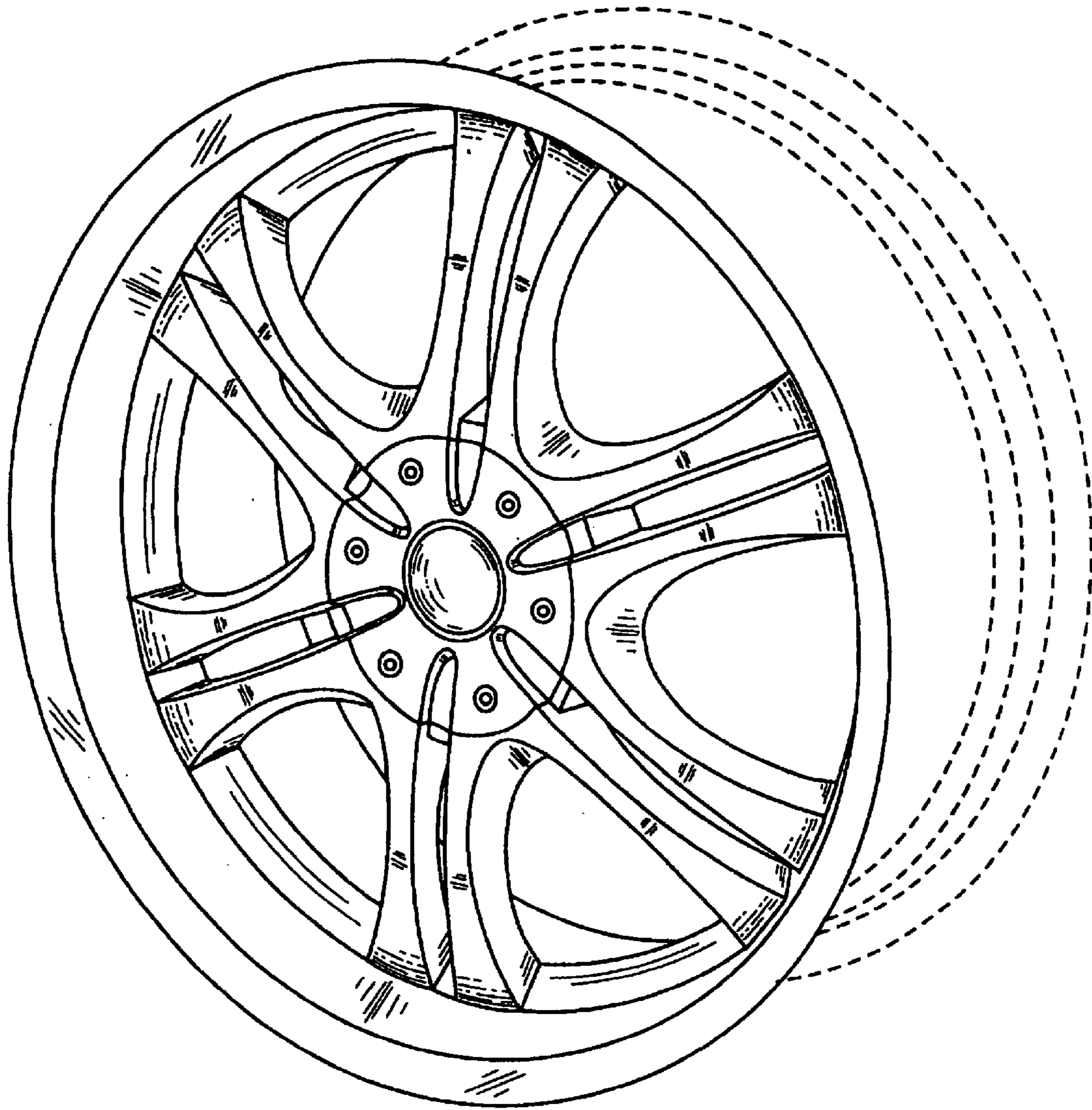


FIG.1

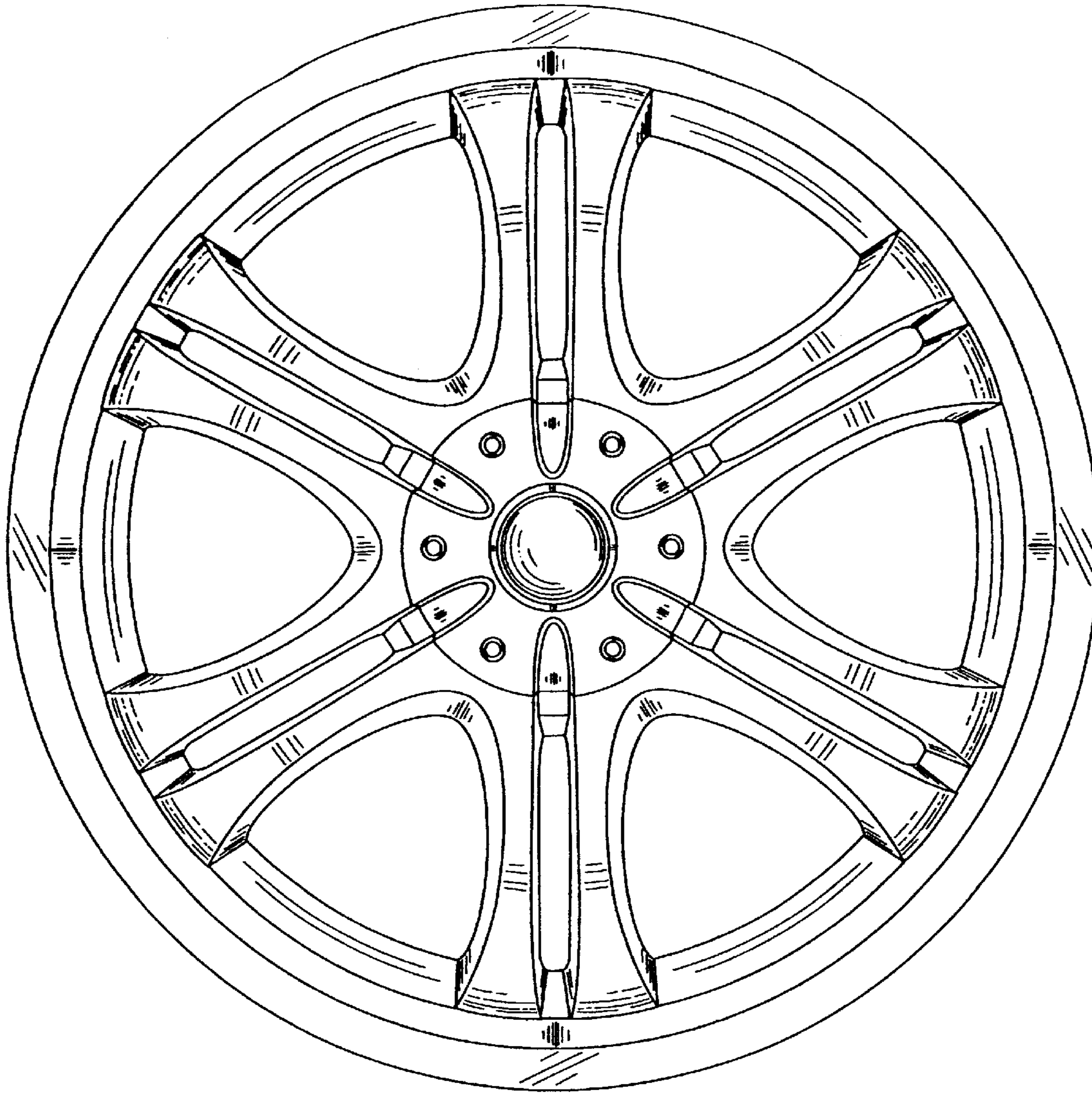


FIG.2