



US00D540231S

(12) **United States Design Patent**  
**Braun et al.**

(10) **Patent No.:** **US D540,231 S**  
(45) **Date of Patent:** **\*\* Apr. 10, 2007**

(54) **EXHAUST PIPE FOR A VEHICLE**  
(75) Inventors: **Uwe Braun**, Neuhausen (DE); **Thomas Herold**, Neuhausen (DE); **Matthias Kulla**, Leonberg (DE)

D435,815 S \* 1/2001 Larson ..... D12/169  
D473,175 S \* 4/2003 Gilli ..... D12/194  
D488,114 S \* 4/2004 Kulla ..... D12/194

\* cited by examiner

(73) Assignee: **Dr. Ing. h.c.F. Porsche Aktiengesellschaft**, Stuttgart (DE)

*Primary Examiner*—Louis Zarfaz  
*Assistant Examiner*—Michael Pratt  
(74) *Attorney, Agent, or Firm*—Crowell & Moring LLP

(\*\*) Term: **14 Years**

(57) **CLAIM**

(21) Appl. No.: **29/212,325**

The ornamental design for an exhaust pipe for a vehicle, as shown and described.

(22) Filed: **Aug. 31, 2004**

(30) **Foreign Application Priority Data**

**DESCRIPTION**

Mar. 1, 2004 (EM) ..... 000143839-0001

(51) **LOC (8) Cl.** ..... **12-16**

(52) **U.S. Cl.** ..... **D12/194**

(58) **Field of Classification Search** ..... D12/194;  
293/113; 181/227, 228, 247–249, 264, 282,  
181/239–241; D15/5; 138/37–39, 44, 103,  
138/109

FIG. 1 is a left perspective view of an exhaust pipe for a vehicle according to our novel design;  
FIG. 2 is a right perspective view thereof;  
FIG. 3 is a top view thereof;  
FIG. 4 is a front view thereof;  
FIG. 5 is a bottom view thereof; and,  
FIG. 6 is a left side view thereof.

See application file for complete search history.

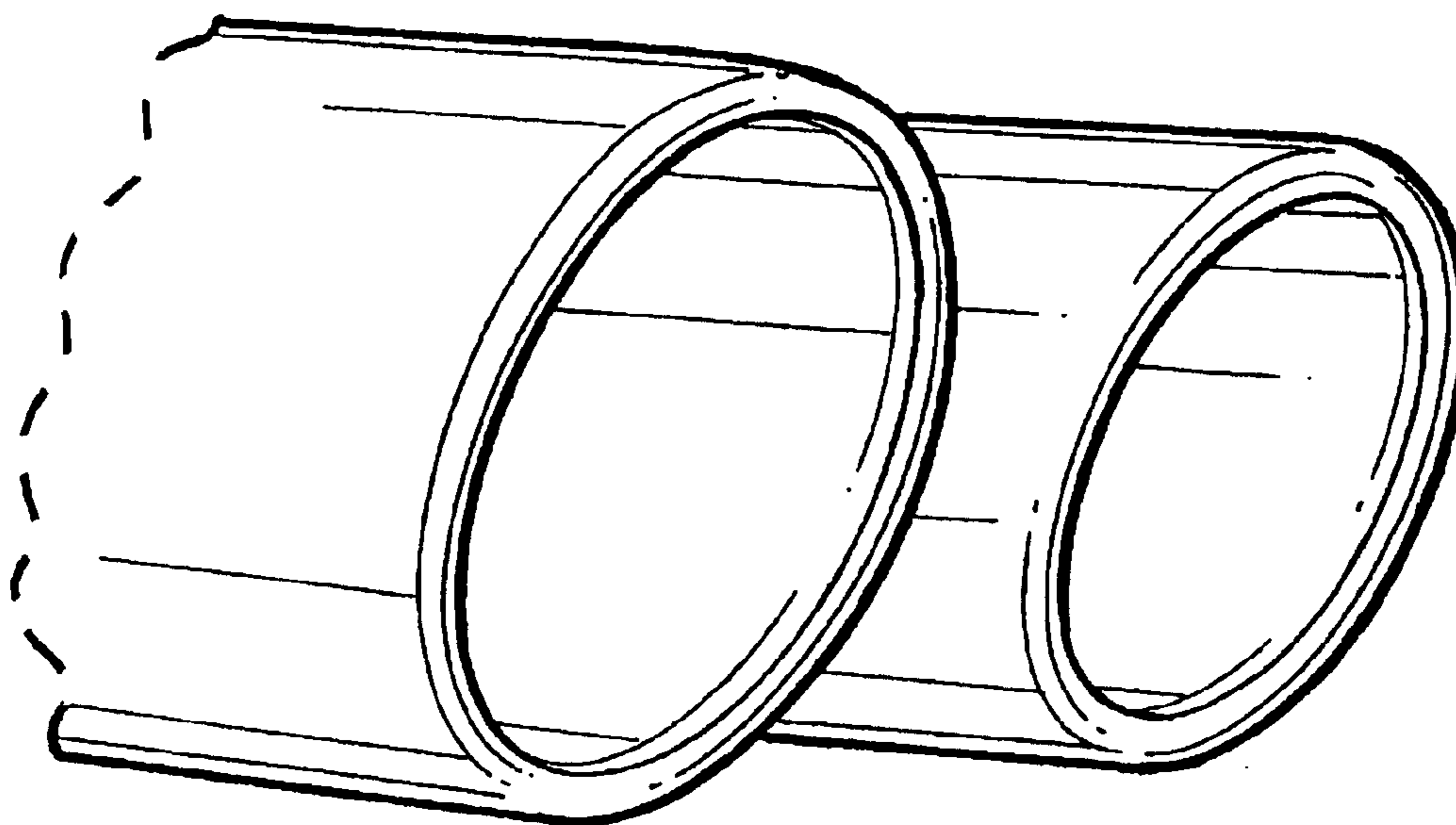
The broken lines are for illustrative purposes only and form no part of the claimed design. Also enclosed is a set of photographs of an embodiment of the invention.

(56) **References Cited**

**U.S. PATENT DOCUMENTS**

4,537,278 A \* 8/1985 Okada et al. .... 181/227

**1 Claim, 3 Drawing Sheets**



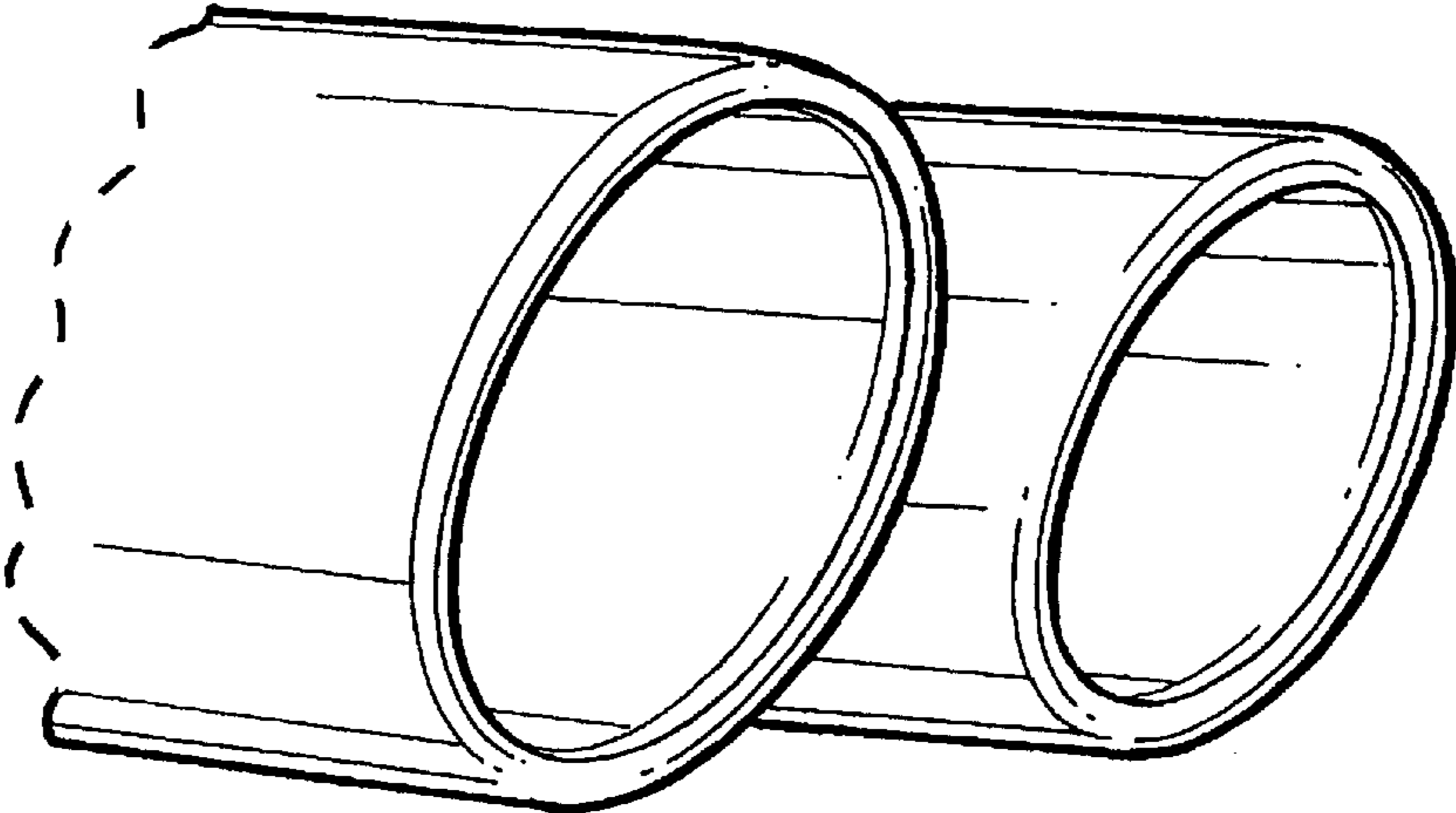


FIG. 1

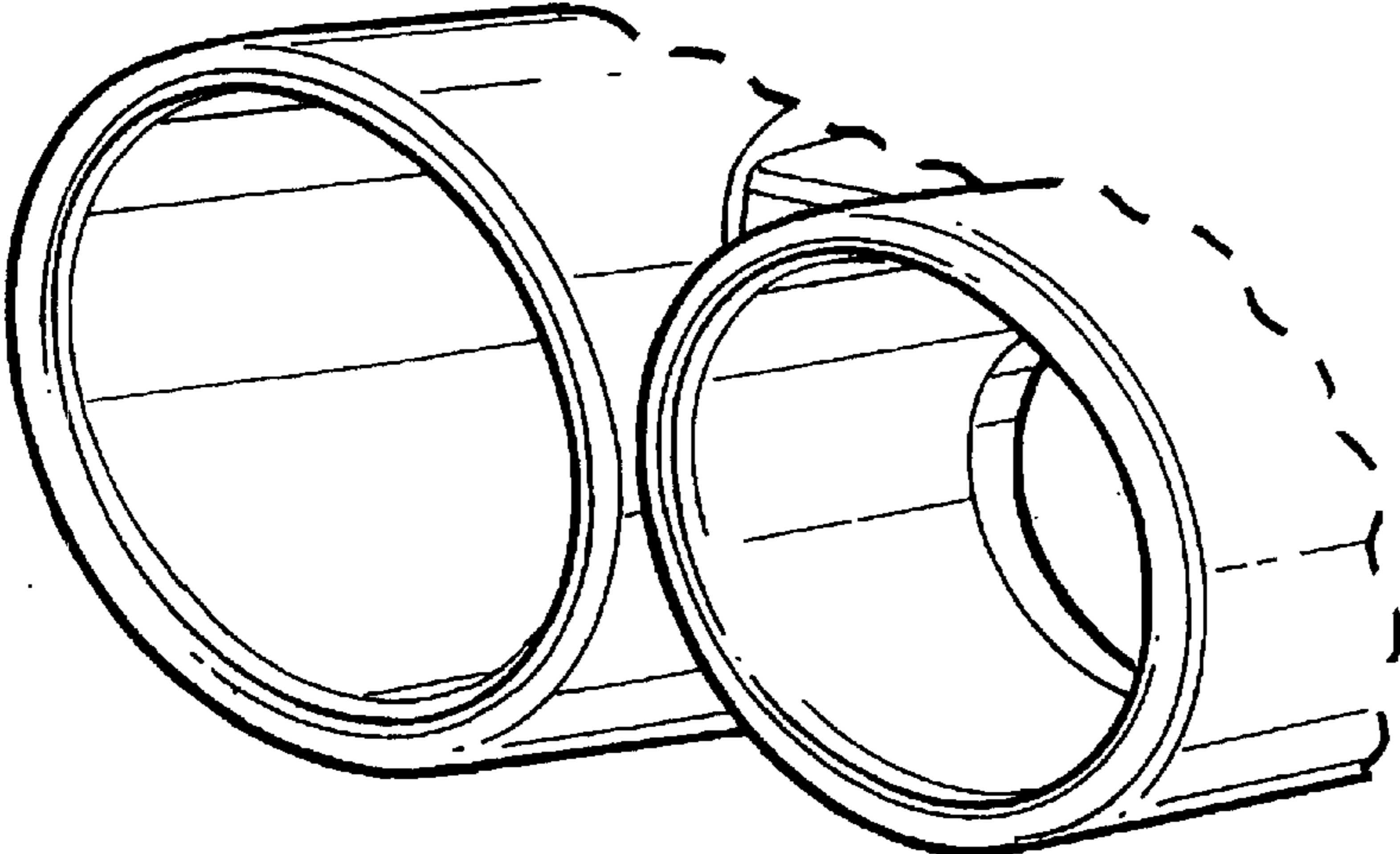


FIG. 2

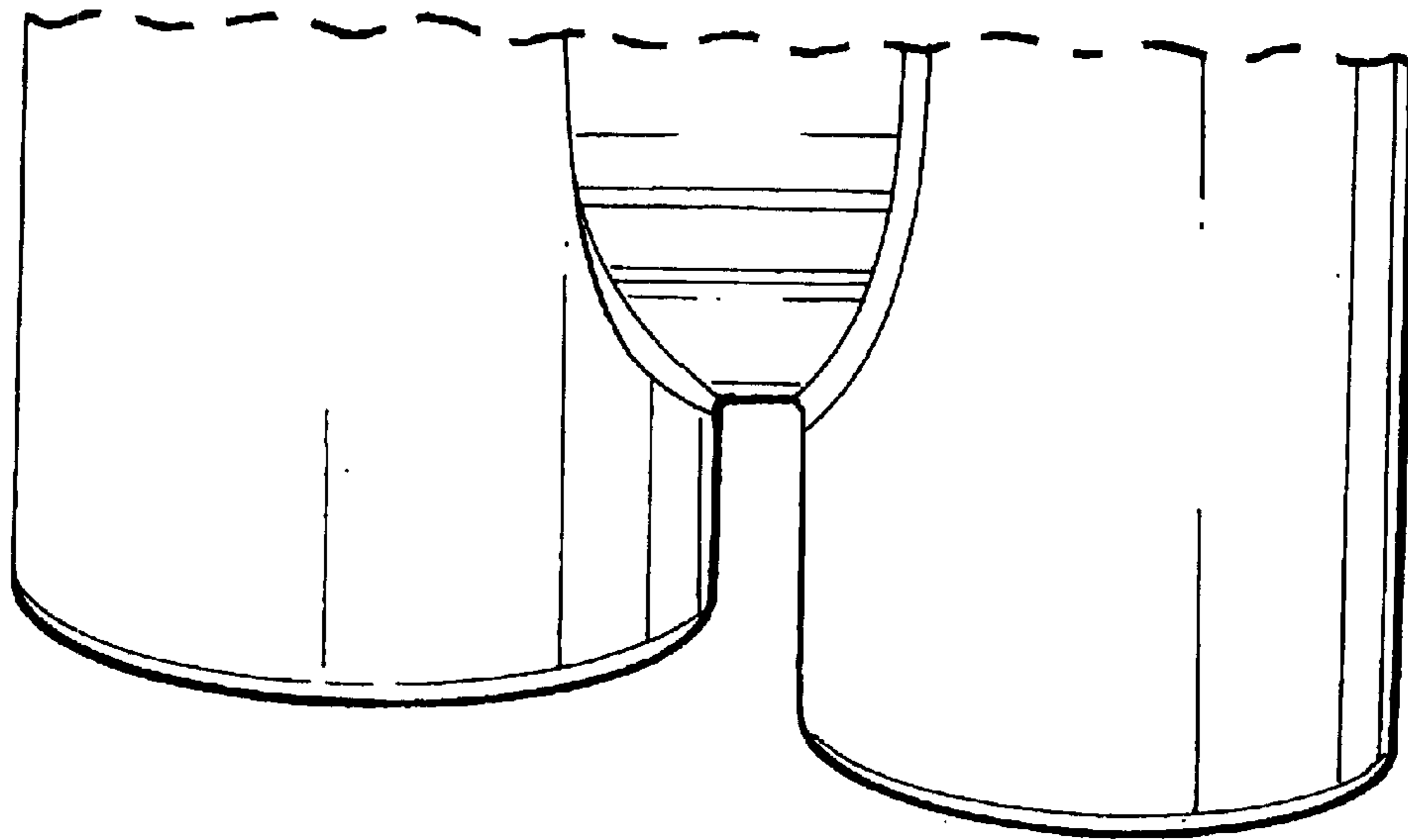


FIG. 3

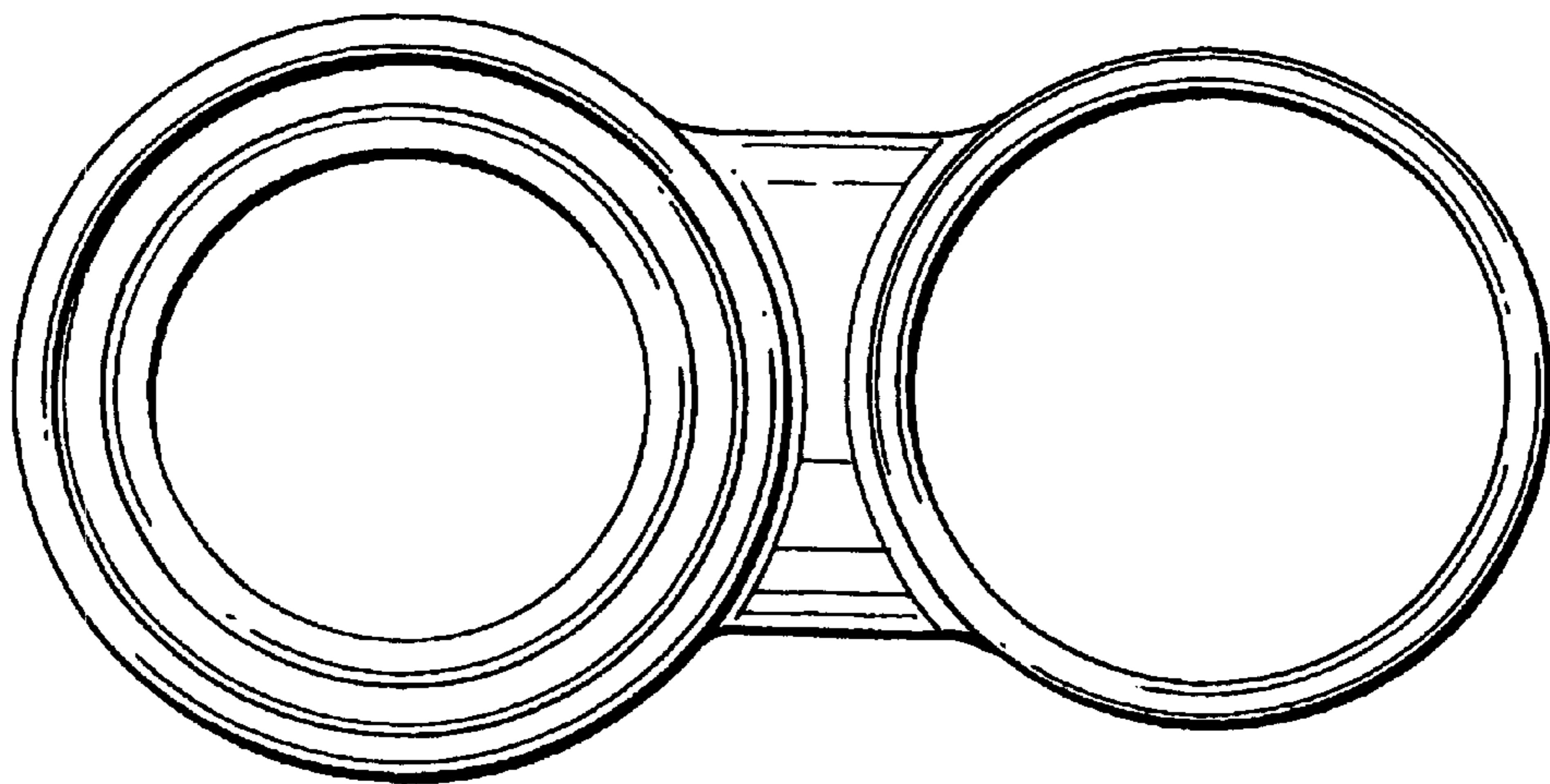


FIG. 4

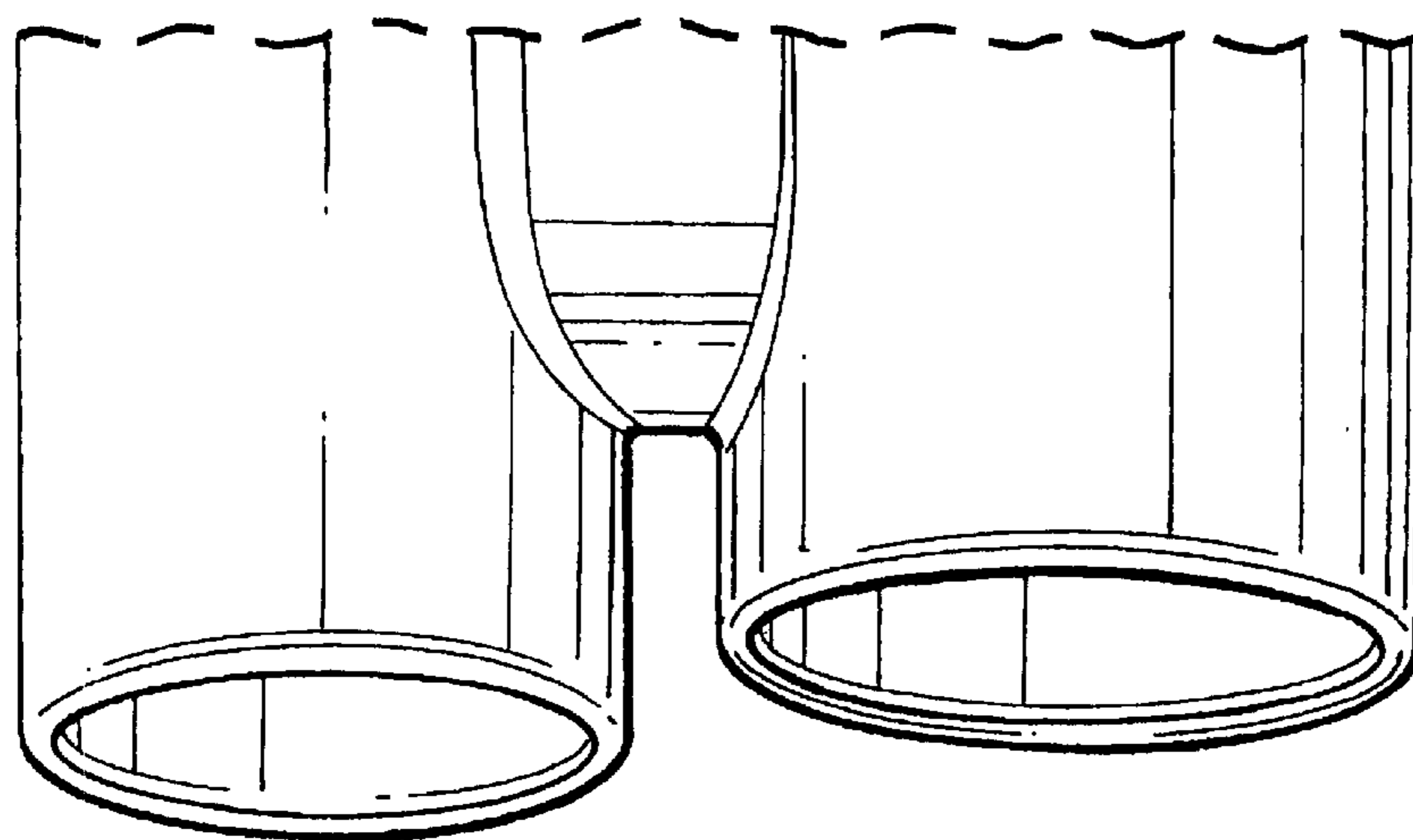


FIG. 5

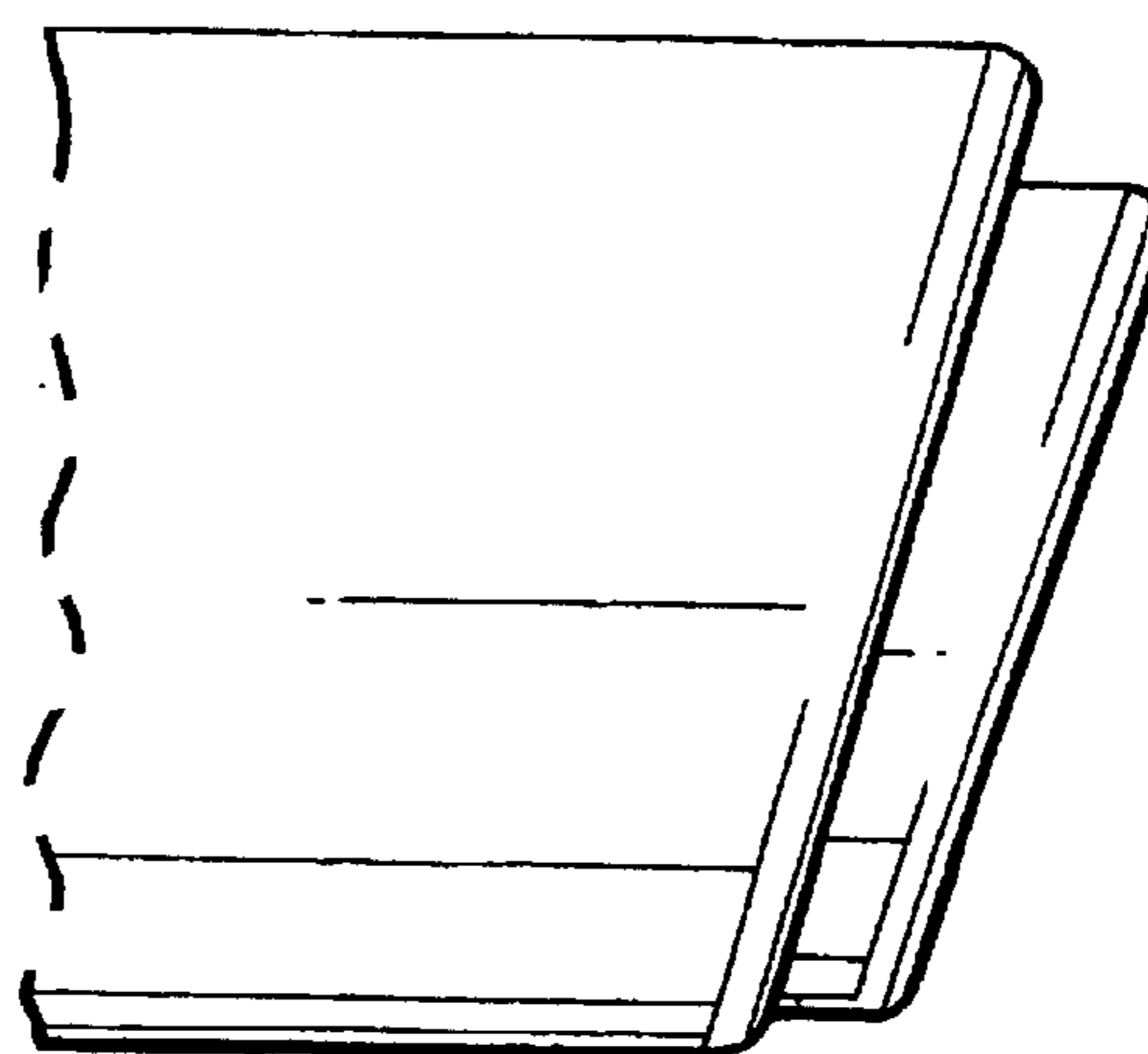


FIG. 6