

US00D540228S

(12) **United States Design Patent**
Lai

(10) **Patent No.:** **US D540,228 S**

(45) **Date of Patent:** **** Apr. 10, 2007**

(54) **AIR VENT FOR A VEHICLE**

(75) Inventor: **Pinky Lai**, Koenigsbach-Stein (DE)

(73) Assignee: **Dr. Ing. h.c.F. Porsche Aktiengesellschaft**, Stuttgart (DE)

(**) Term: **14 Years**

(21) Appl. No.: **29/217,786**

(22) Filed: **Nov. 23, 2004**

(30) **Foreign Application Priority Data**

May 24, 2004 (DE) 4 04 03 161

(51) **LOC (8) Cl.** **12-08**

(52) **U.S. Cl.** **D12/190**; D12/196

(58) **Field of Classification Search** D12/192,
D12/196, 169, 429, 190, 164, 90, 91, 92,
D12/96, 97; D23/327, 390; 296/185, 180.1;
180/69.6

See application file for complete search history.

(56) **References Cited**

U.S. PATENT DOCUMENTS

D367,442 S	*	2/1996	Hubbach	D12/92
D374,847 S	*	10/1996	Gisser	D12/92
D411,139 S	*	6/1999	Lai	D12/92
D431,796 S	*	10/2000	Lagaay et al.	D12/92
D440,528 S	*	4/2001	Irons	D12/92
D449,254 S	*	10/2001	Larson	D12/92
D452,460 S	*	12/2001	Sacco et al.	D12/92
D455,676 S	*	4/2002	Stoddard et al.	D12/92
D477,253 S	*	7/2003	Minami et al.	D12/92

D485,211 S	*	1/2004	Pfeiffer et al.	D12/92
D497,860 S	*	11/2004	Hoelzel et al.	D12/196
D514,984 S	*	2/2006	Lai	D12/92
D526,600 S	*	8/2006	Lai	D12/92

* cited by examiner

Primary Examiner—Louis S. Zarfes

Assistant Examiner—Anna Dworzecka

(74) *Attorney, Agent, or Firm*—Crowell & Moring LLP

(57) **CLAIM**

The ornamental design for an air vent for a vehicle, as shown and described.

DESCRIPTION

This application is related to the following co-pending applications, of the inventor, filed on even date herewith: application Ser. No. 29/217,787, entitled "Surface Configuration of a Vehicle, Toy and/or Other Replicas"; and application Ser. No. 29/217,767, entitled "Surface Configuration of a Vehicle, Toy and/or Other Replicas".

FIG. 1 is a front view of a first embodiment of an air vent for a vehicle according to my novel design;

FIG. 2 is a front perspective view thereof; and

FIG. 3 is a rear perspective view thereof.

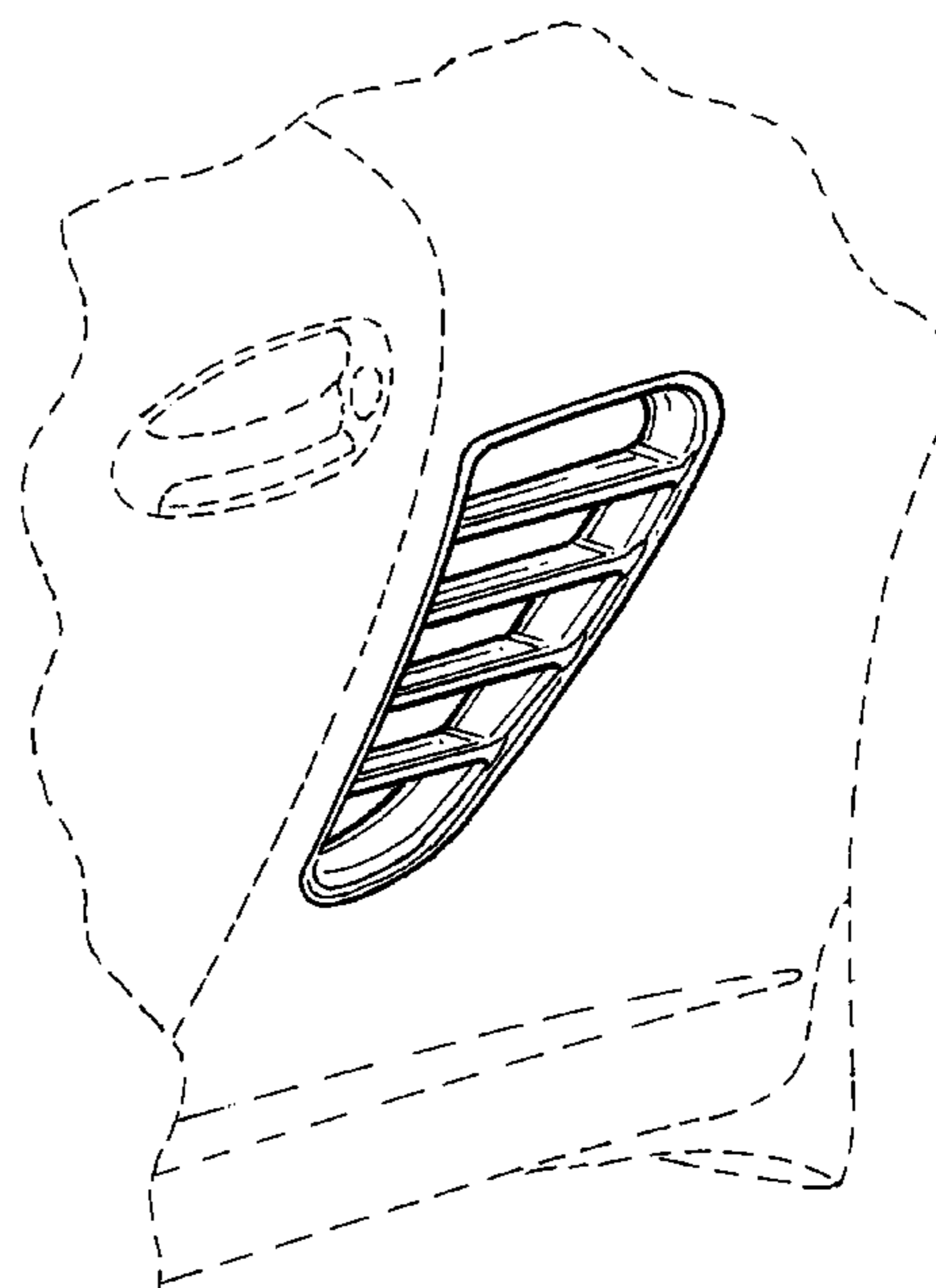
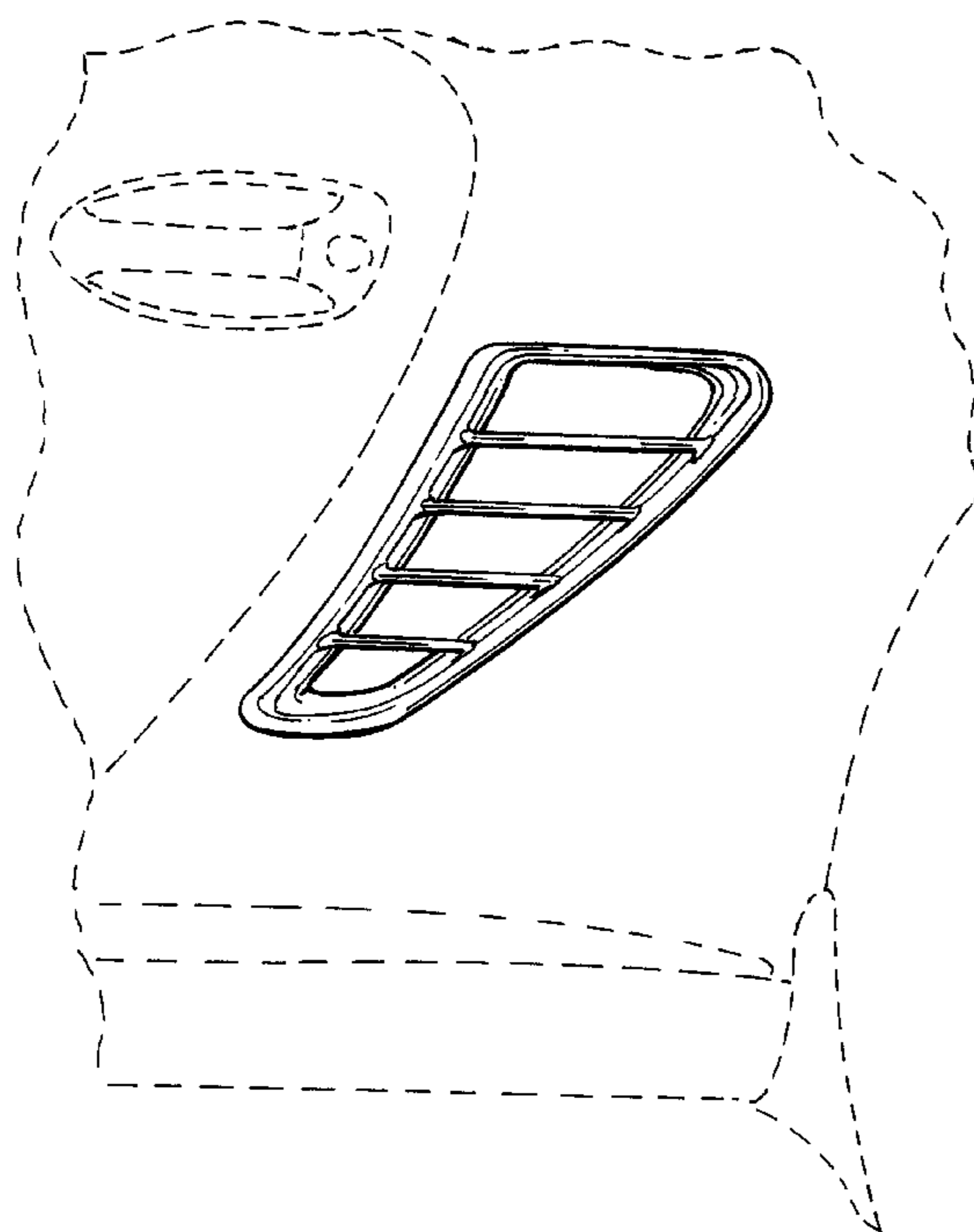
FIG. 4 is a front view of a second embodiment of the air vent for a vehicle according to my novel design;

FIG. 5 is a front perspective view thereof; and,

FIG. 6 is a rear perspective view thereof.

The broken lines are for illustrative purposes only and form no part of the claimed design.

1 Claim, 4 Drawing Sheets



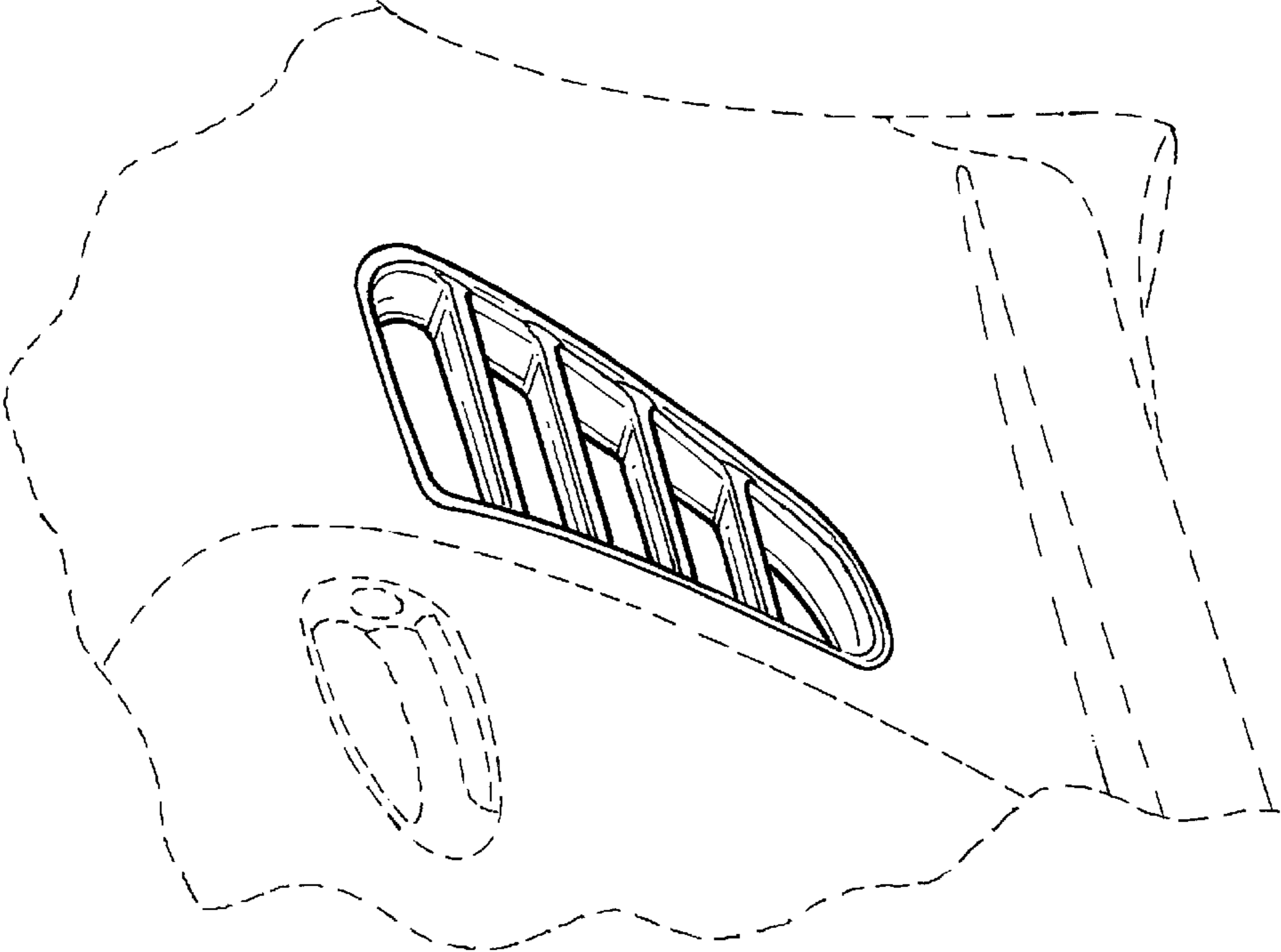


FIG. 2

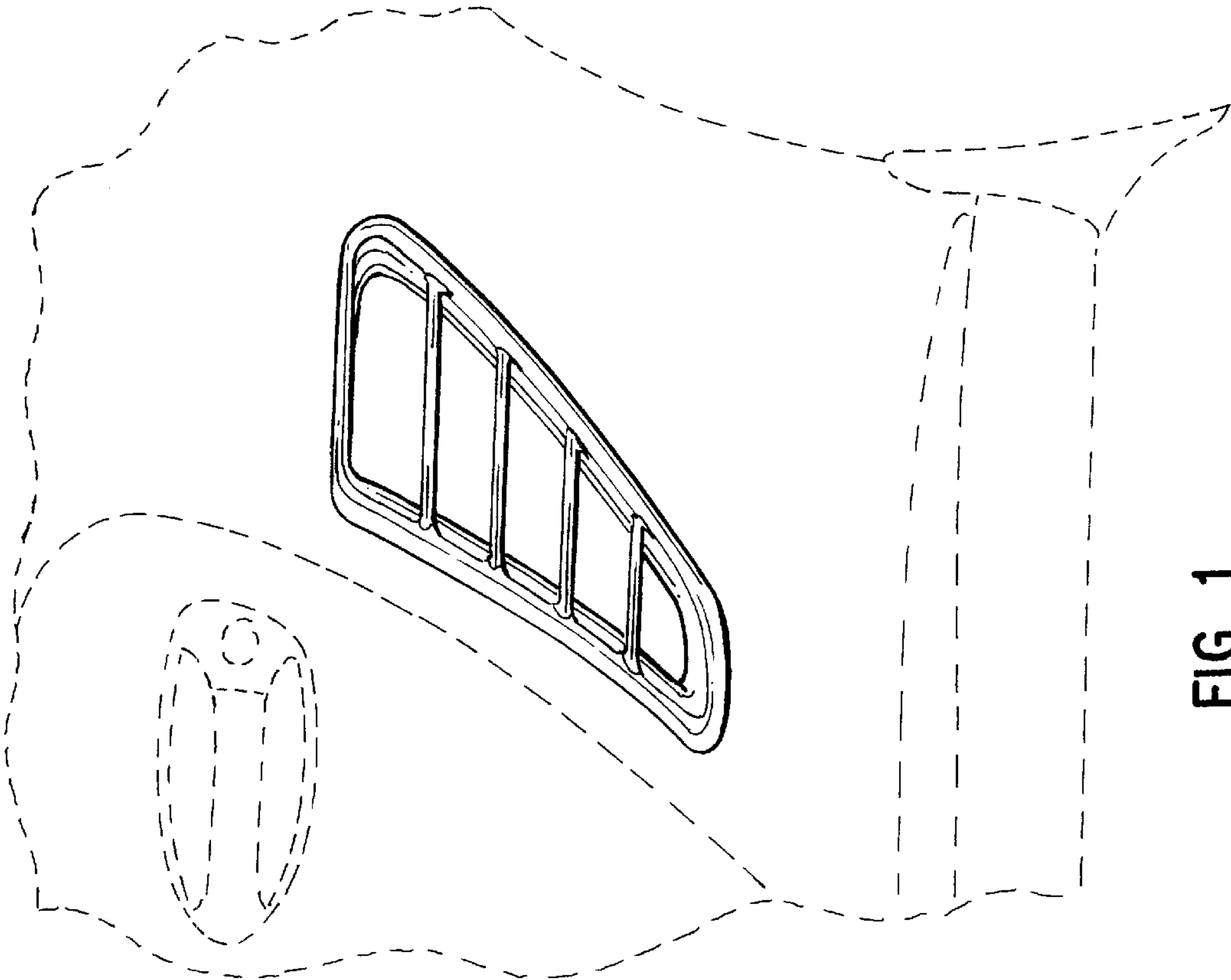


FIG. 1

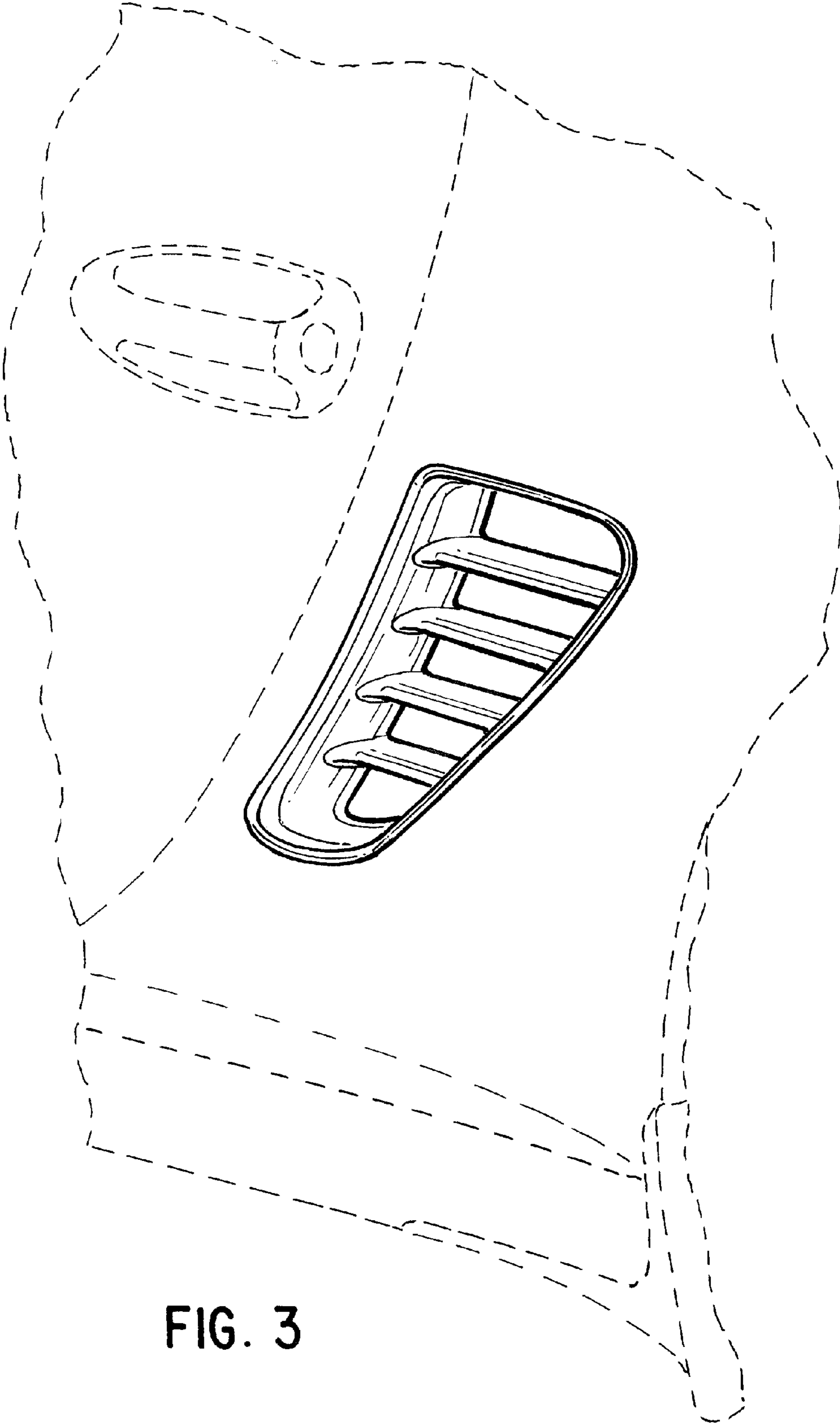


FIG. 3

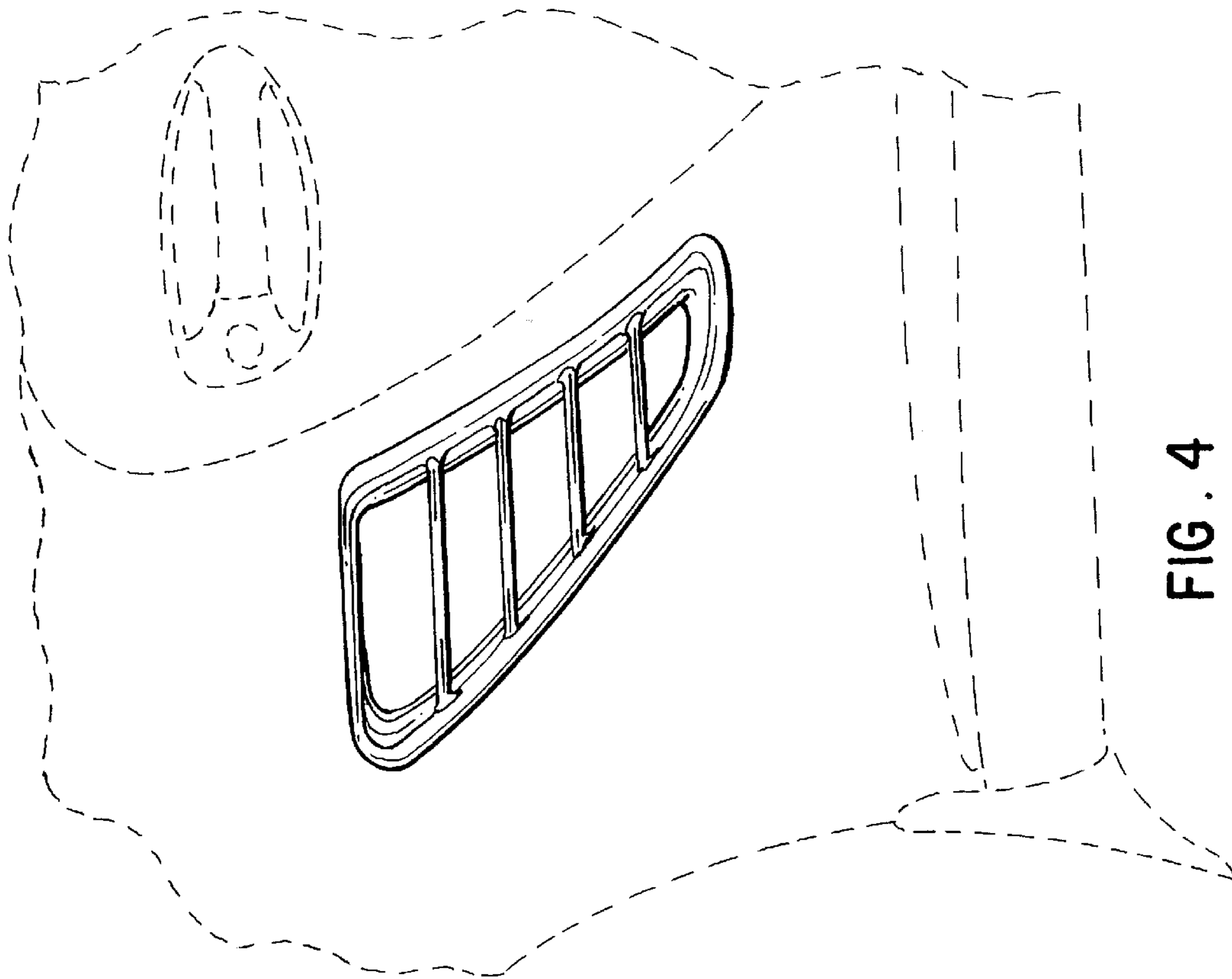


FIG. 4

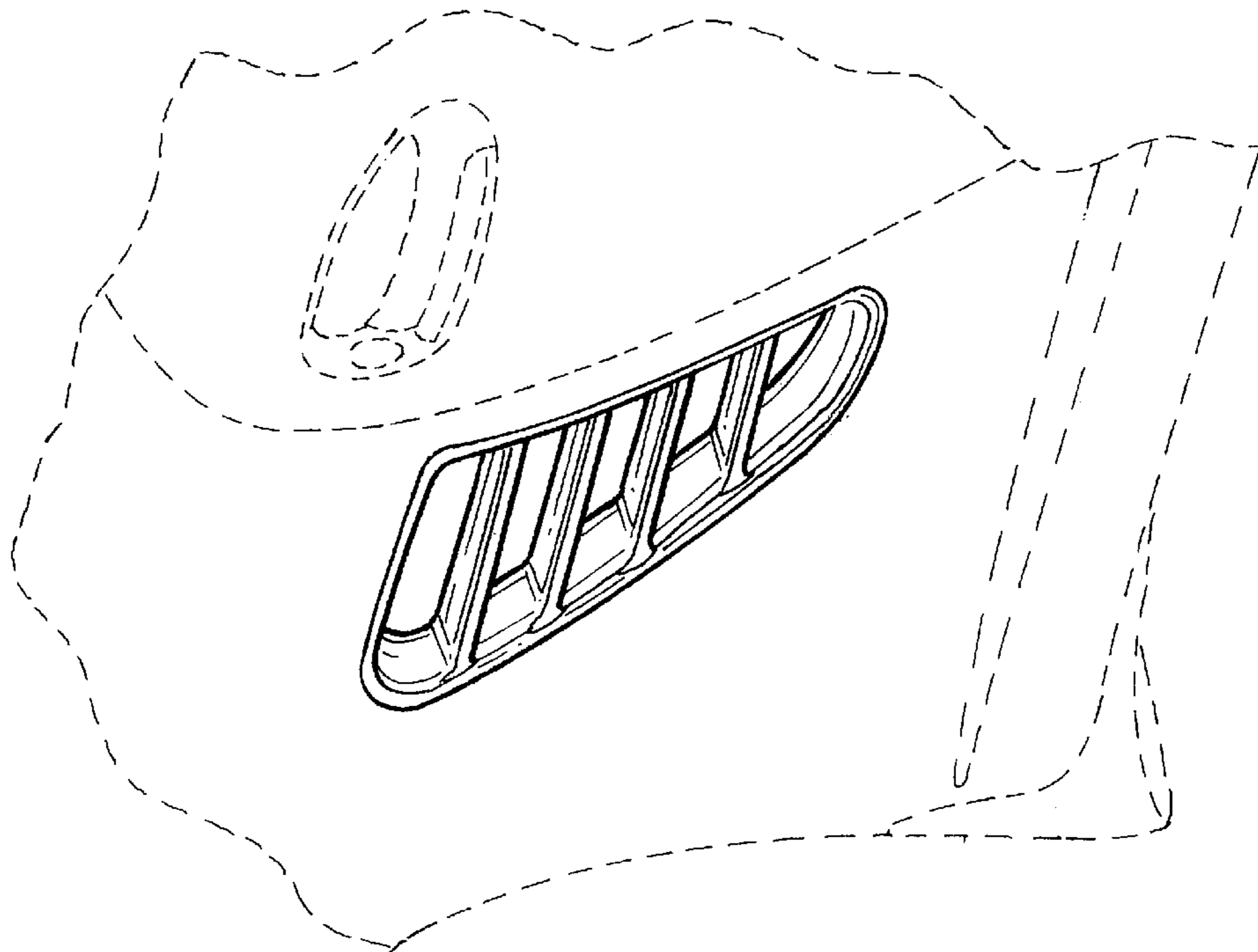


FIG. 5

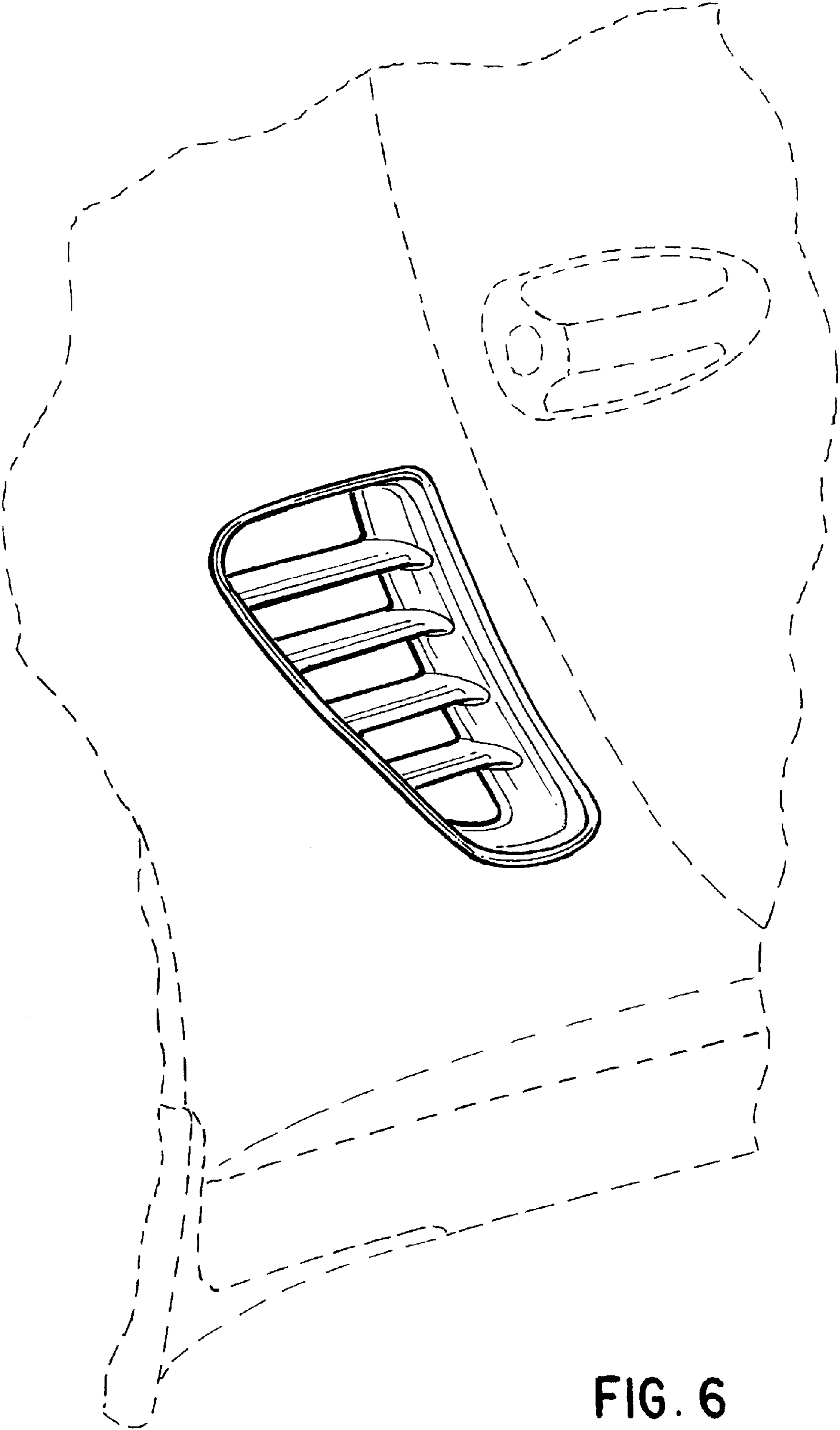


FIG. 6