



US00D540227S

(12) **United States Design Patent**
Doucet

(10) **Patent No.:** **US D540,227 S**
(45) **Date of Patent:** **** Apr. 10, 2007**

(54) **FOOT PEDAL**

(75) Inventor: **Bill Doucet**, Royersford, PA (US)

(73) Assignee: **Teleflex Incorporated**, Limerick, PA (US)

(**) Term: **14 Years**

(21) Appl. No.: **29/230,110**

(22) Filed: **May 17, 2005**

(51) **LOC (8) Cl.** **12-16**

(52) **U.S. Cl.** **D12/174**

(58) **Field of Classification Search** D12/174,
D12/400, 125; 280/259; 74/563, 512; 403/257
See application file for complete search history.

(56) **References Cited**

U.S. PATENT DOCUMENTS

D141,413 S	5/1945	Simonds	
D147,322 S	8/1947	Eisenberg et al.	
D148,485 S	1/1948	Rowe	
D152,594 S	2/1949	Caudill	
D158,820 S	5/1950	Voorlas	
2,535,021 A	12/1950	Stone et al.	
2,804,838 A	9/1957	Moser	
D210,219 S	2/1968	Dreyfuss et al.	
D220,697 S	5/1971	Osborn	
4,237,752 A	12/1980	Hildebrecht	
4,250,768 A *	2/1981	Hildebrecht	74/512
D264,848 S	6/1982	Hanyu	
D284,071 S *	6/1986	Eichstadt	D12/174
4,802,381 A	2/1989	Lo	
D342,720 S	12/1993	Phleps et al.	

D345,756 S	4/1994	Clothier	
5,497,677 A	3/1996	Baumann et al.	
D372,448 S *	8/1996	Holst	D12/174
5,673,597 A *	10/1997	Lin	74/563
D420,623 S *	2/2000	Hussaini	D12/125
D425,838 S *	5/2000	Hussaini	D12/174
6,089,120 A	7/2000	Löet al.	
D446,487 S *	8/2001	Busch	D12/174
6,318,208 B1	11/2001	Thongs, Jr. et al.	
6,862,951 B2	3/2005	Peterson et al.	
2004/0035242 A1	2/2004	Peterson et al.	
2005/0039567 A1	2/2005	Peterson et al.	

* cited by examiner

Primary Examiner—Melody N. Brown

(74) *Attorney, Agent, or Firm*—Baker & Hostetler LLP

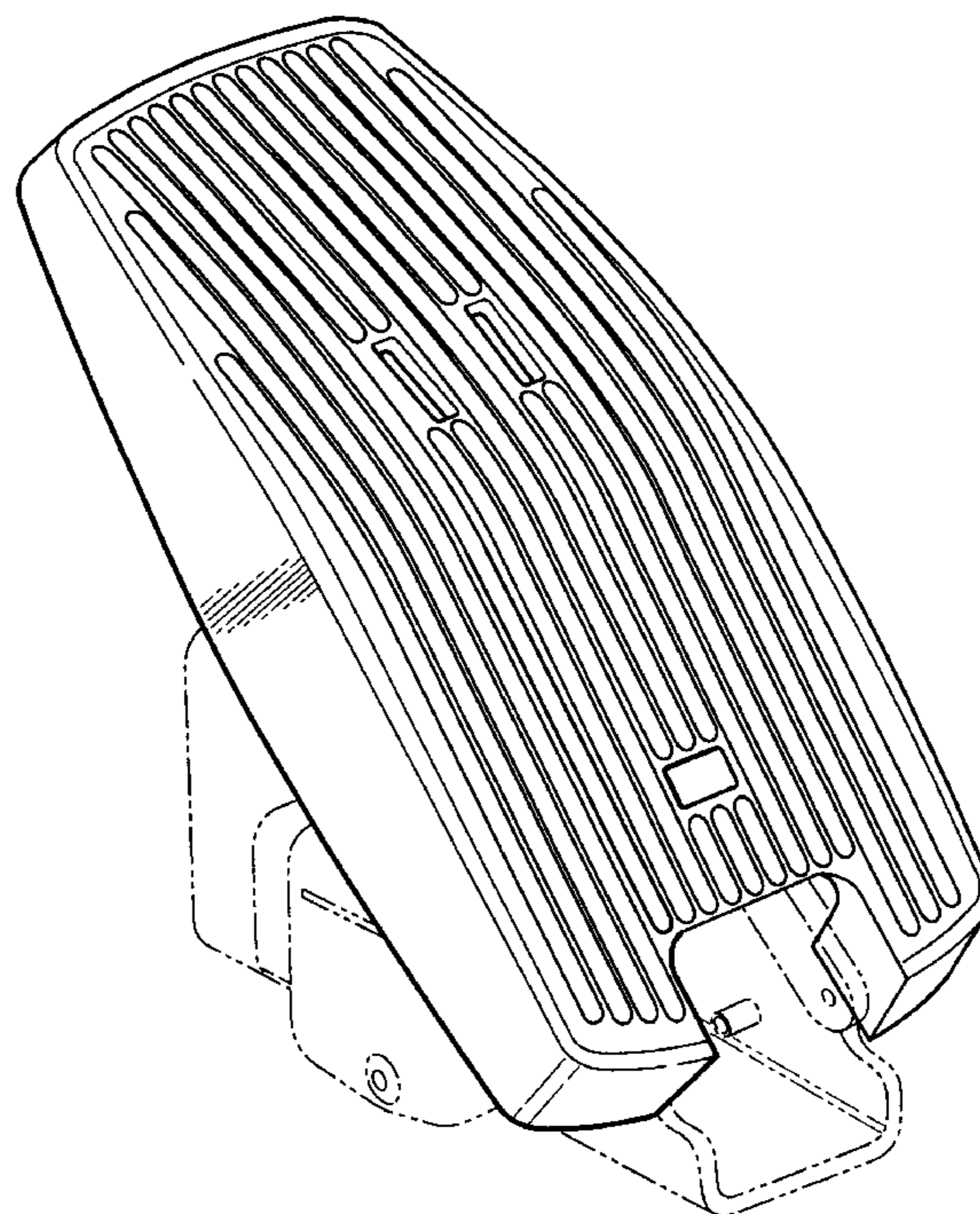
(57) **CLAIM**

The ornamental design for a foot pedal, as shown and described.

DESCRIPTION

FIG. 1 is a perspective view of a foot pedal in accordance with the present invention;
FIG. 2 is a side elevational view of the foot pedal of FIG. 1;
FIG. 3 is a top plan view of the foot pedal of FIG. 1;
FIG. 4 is a front elevational view of the foot pedal of FIG. 1;
FIG. 5 is a rear elevational view of the foot pedal of FIG. 1; and,
FIG. 6 is a bottom plan view of the foot pedal of FIG. 1.
The elements shown in phantom are for illustrative purposes only and do not form part of the claimed design.

1 Claim, 3 Drawing Sheets



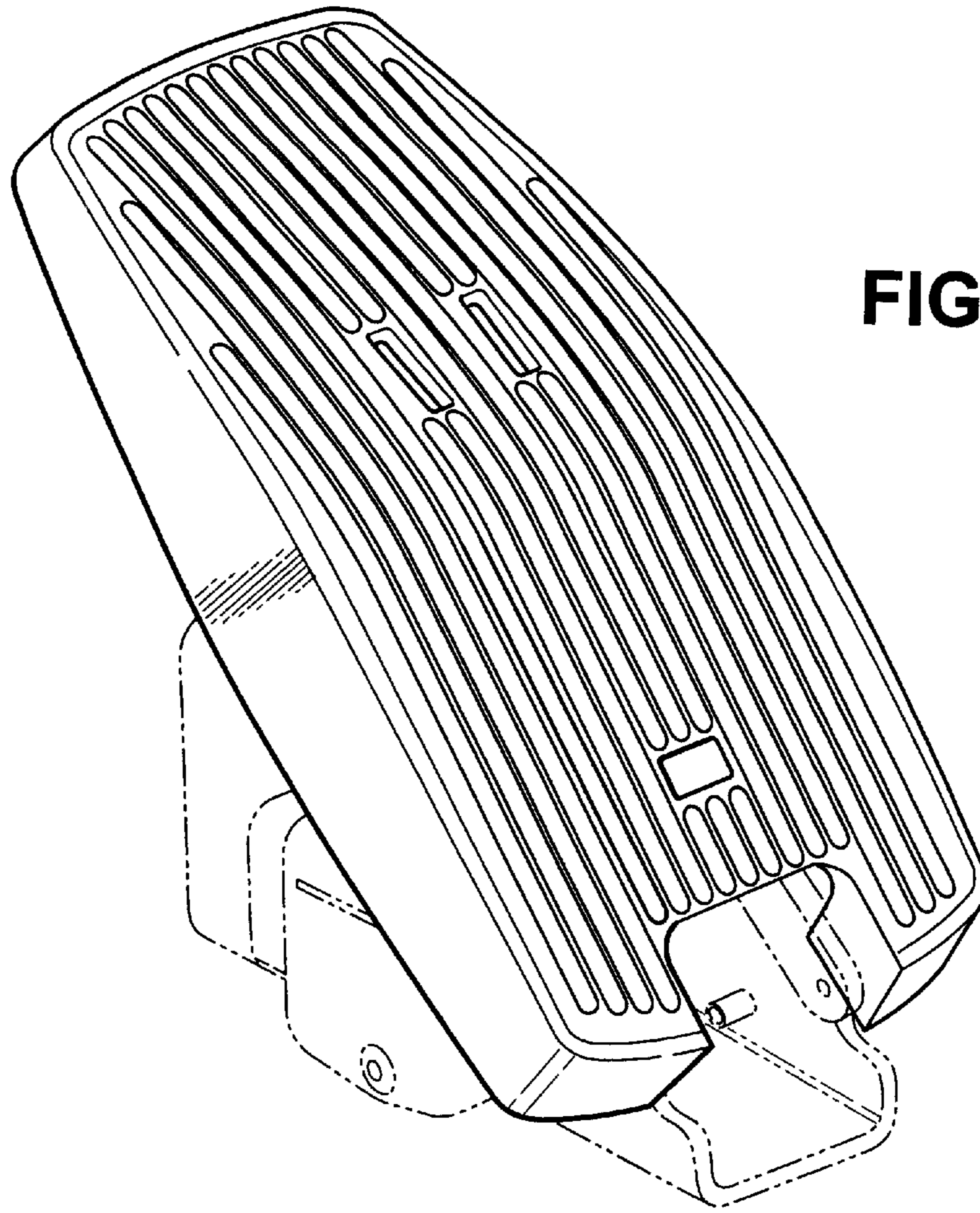


FIG - 1

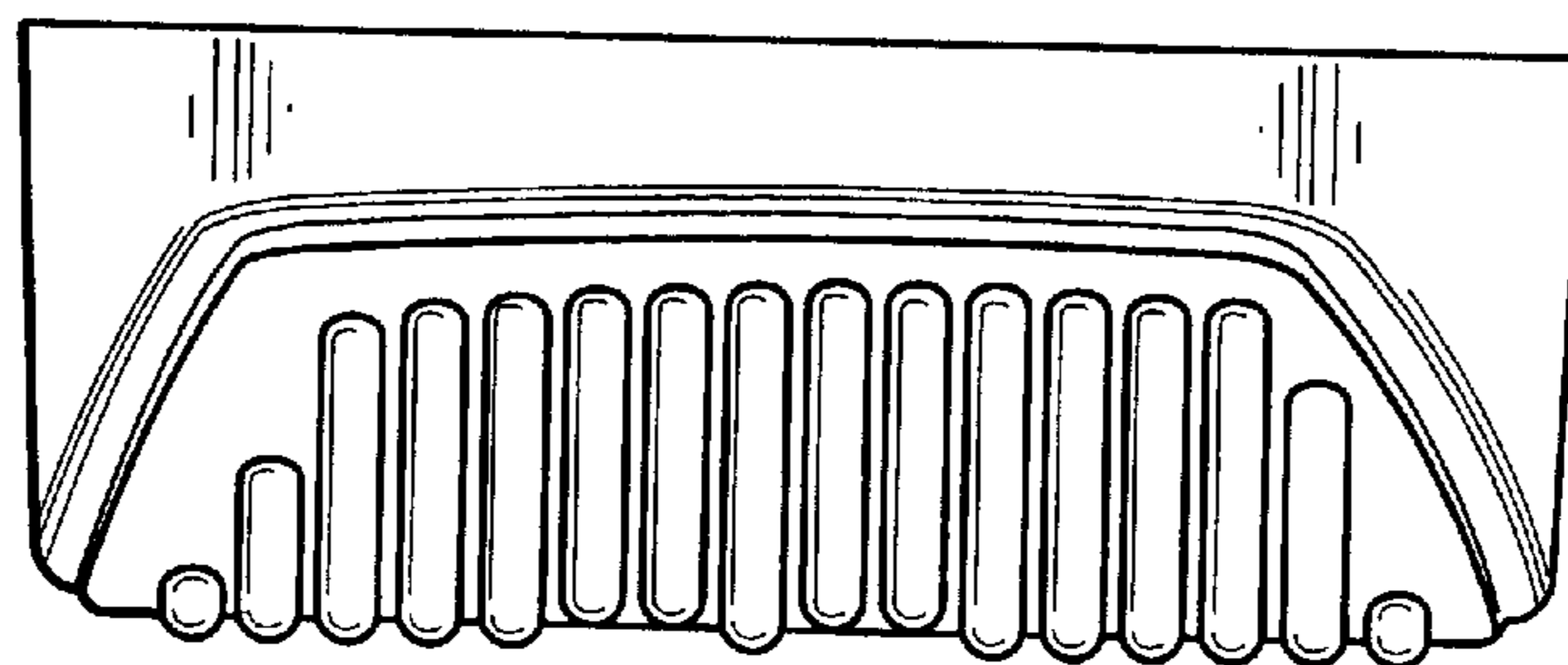


FIG - 4

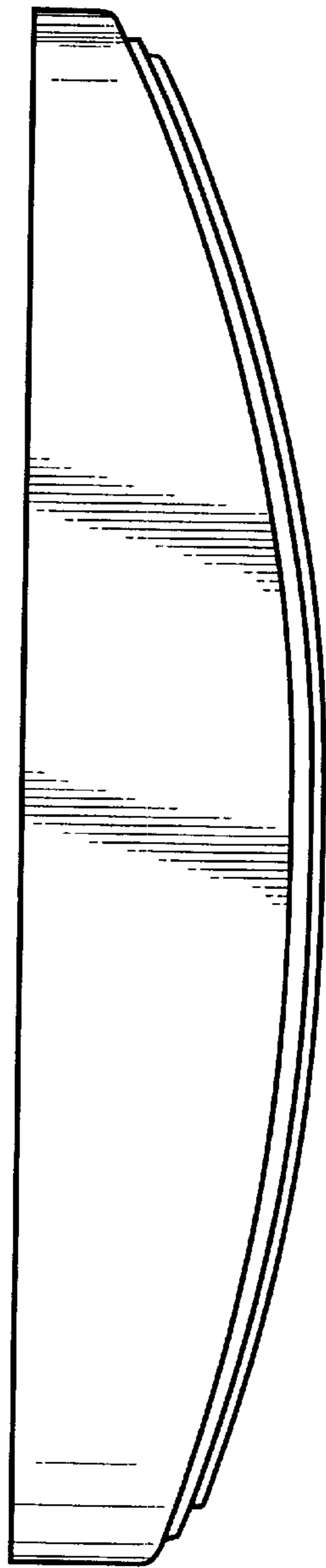


FIG - 2

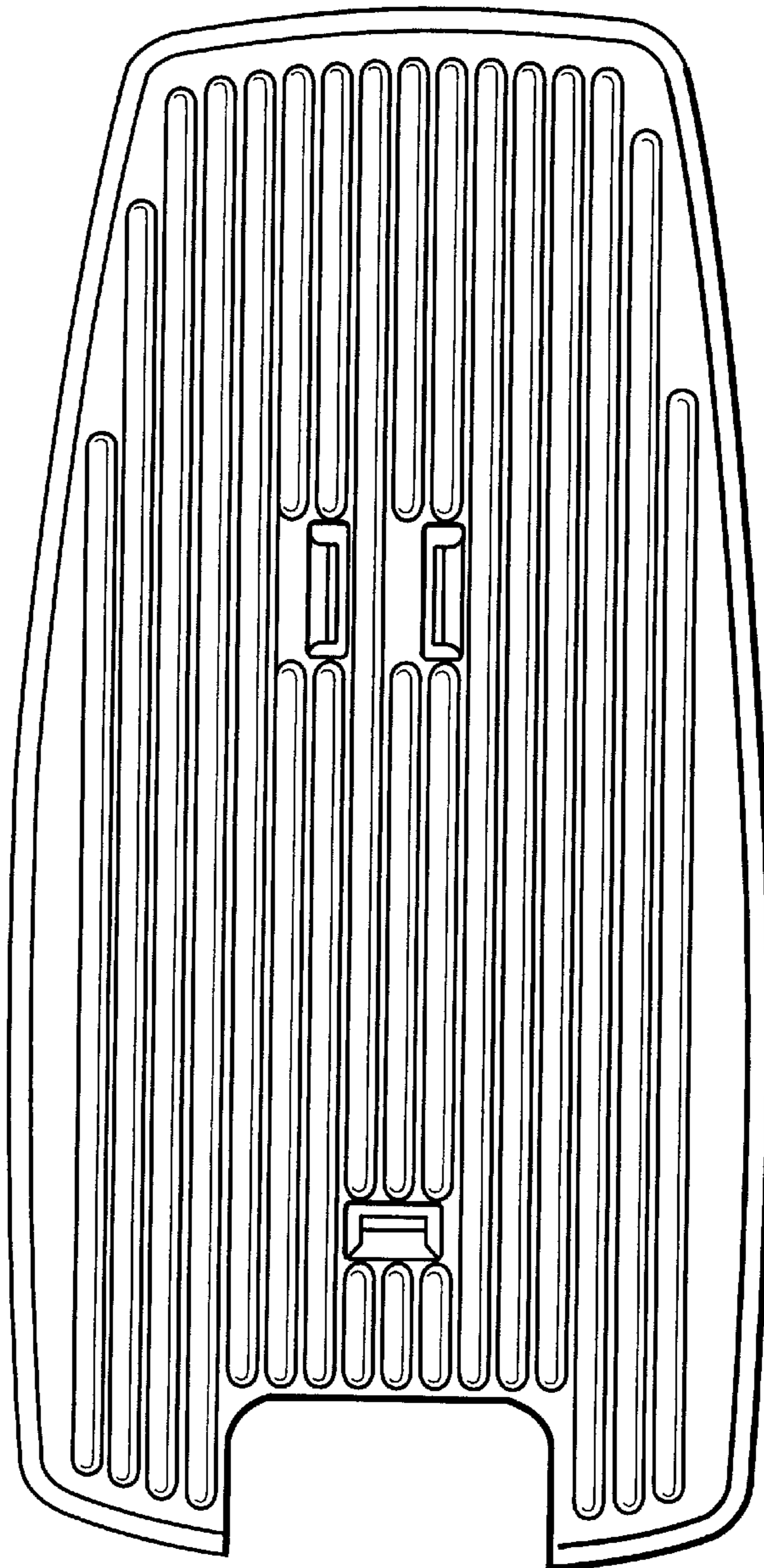


FIG - 3

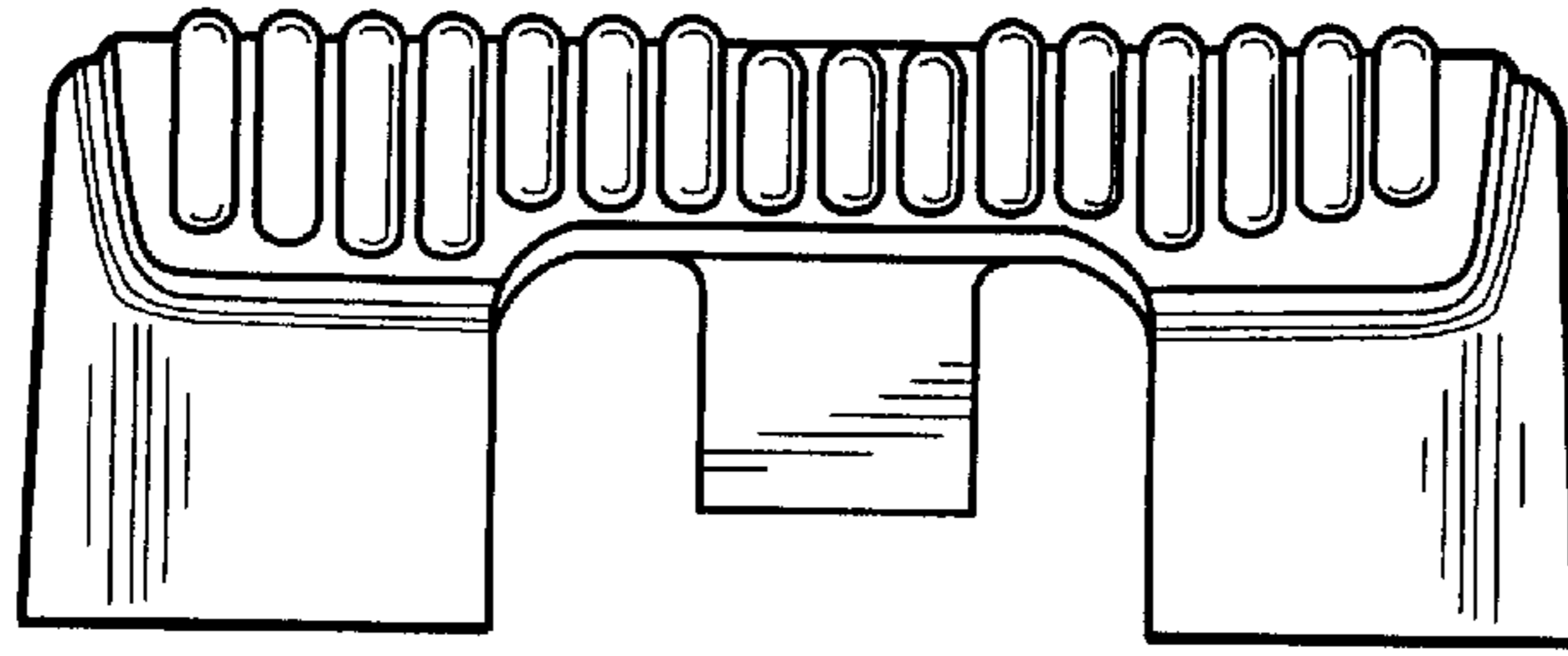


FIG - 5

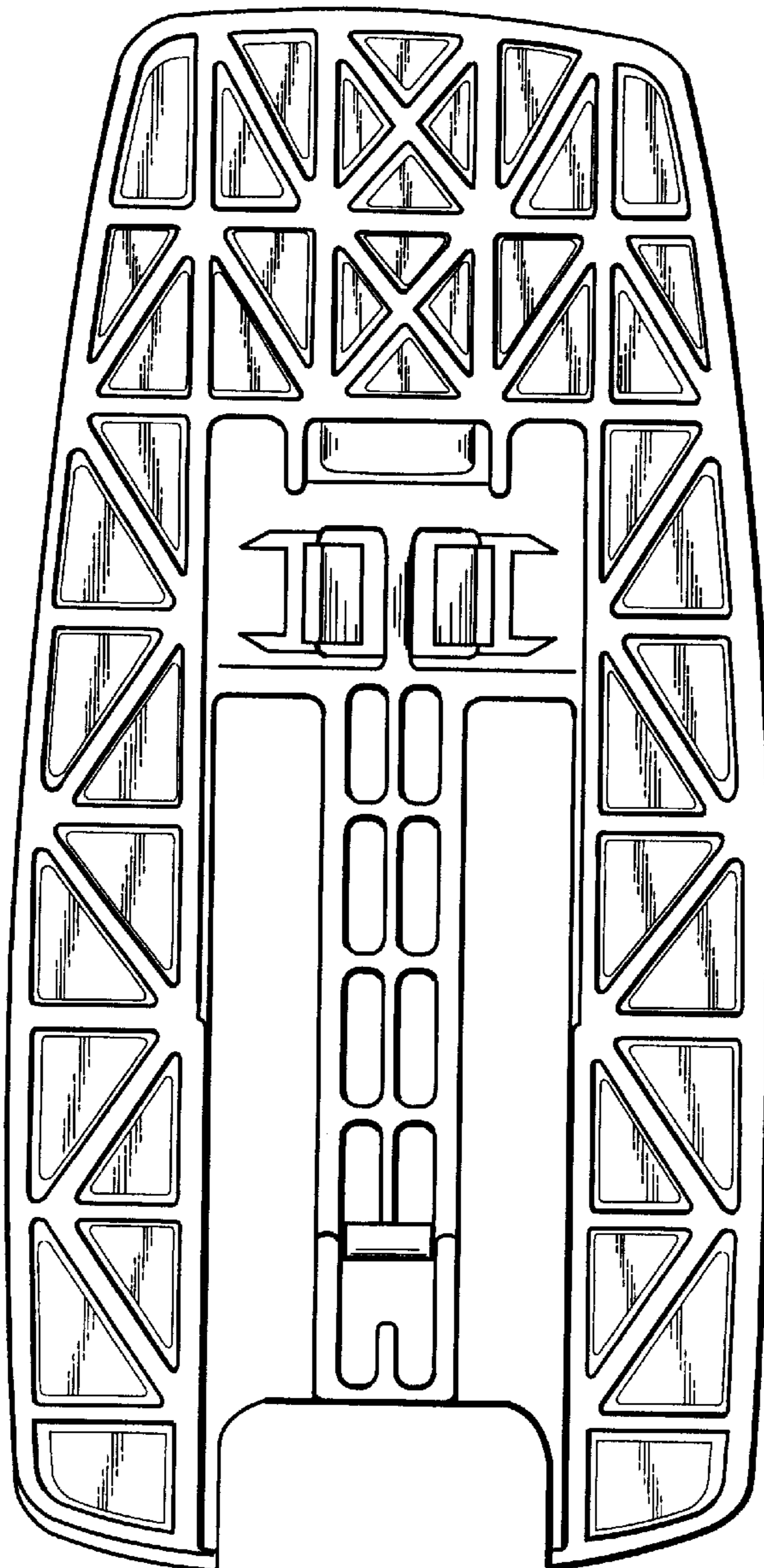


FIG - 6