

US00D540222S

(12) **United States Design Patent**  
**Goettker**

(10) **Patent No.:** **US D540,222 S**

(45) **Date of Patent:** **\*\* Apr. 10, 2007**

(54) **TRAILER COUPLER**

(76) Inventor: **Bernhardt Goettker**, 14195 Ridge Canyon Rd., Valley Center, CA (US) 92082

(\*\*) Term: **14 Years**

(21) Appl. No.: **29/236,012**

(22) Filed: **Aug. 10, 2005**

(51) **LOC (8) Cl.** ..... **12-16**

(52) **U.S. Cl.** ..... **D12/162**

(58) **Field of Classification Search** ..... D12/106, D12/161, 162, 199, 400; D9/441, 451, 618; D29/102-104, 106; 280/186, 402-404, 405, 280/405.1, 405.2, 407, 407.1, 416.2, 455.1, 280/491.5, 433, 434, 438 R  
See application file for complete search history.

(56) **References Cited**

**U.S. PATENT DOCUMENTS**

1,254,199	A	*	1/1918	Brice et al.	.....	280/512
2,435,024	A	*	1/1948	Wagner	.....	280/512
2,459,448	A	*	1/1949	Moffett	.....	280/512
D305,319	S		1/1990	Goettker	.....	D12/162
5,013,059	A		5/1991	Goettker	.....	280/446.1
D318,038	S		7/1991	Goettker	.....	D12/162
D320,777	S		10/1991	Goettker	.....	D12/162
D345,954	S		4/1994	Wallace et al.	.....	D12/162
D348,642	S		7/1994	Wallace et al.	.....	D12/162
6,869,095	B2		3/2005	Roll et al.	.....	280/491.3

\* cited by examiner

*Primary Examiner*—Doris Clark

*Assistant Examiner*—Michael Pratt

(74) *Attorney, Agent, or Firm*—Rudolf O. Siegesmund; Thomas E. Hilbun; Gordon & Rees, LLP

(57) **CLAIM**

The ornamental design of a trailer coupler, as shown and described.

**DESCRIPTION**

FIG. 1 is a front perspective view of the trailer coupler showing my new design;

FIG. 2 is a front perspective view of the design shown in FIG. 1 with the latch in its open position. The section removed is exactly the same as the opposite side of the moveable latch.

FIG. 3 is a front perspective view with a cutout of the latch illustrating the pin insertion to lock the latch in place. The section removed is exactly the same as the opposite side of the moveable latch.

FIG. 4 is a top plan view of the design shown in FIG. 1;

FIG. 5 is a side plan view of the design shown in FIG. 1;

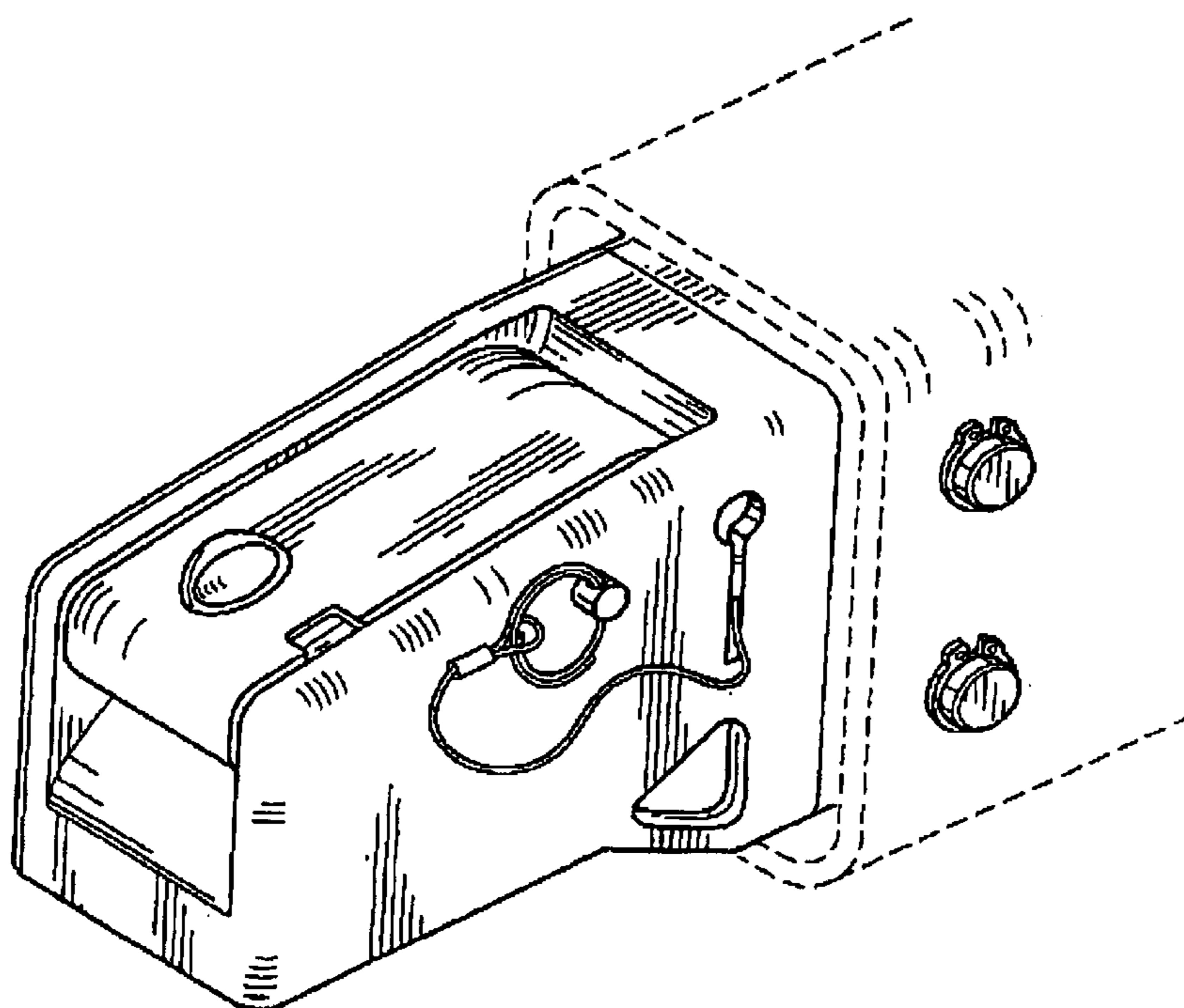
FIG. 6 is a second side plan view of the design shown in FIG. 1;

FIG. 7 is front plan view of the design shown in FIG. 1;

FIG. 8 is a bottom plan view of the design shown in FIG. 1; and,

FIG. 9 is a front perspective view of the design of the trailer coupler with the latch in the closed position.

**1 Claim, 7 Drawing Sheets**



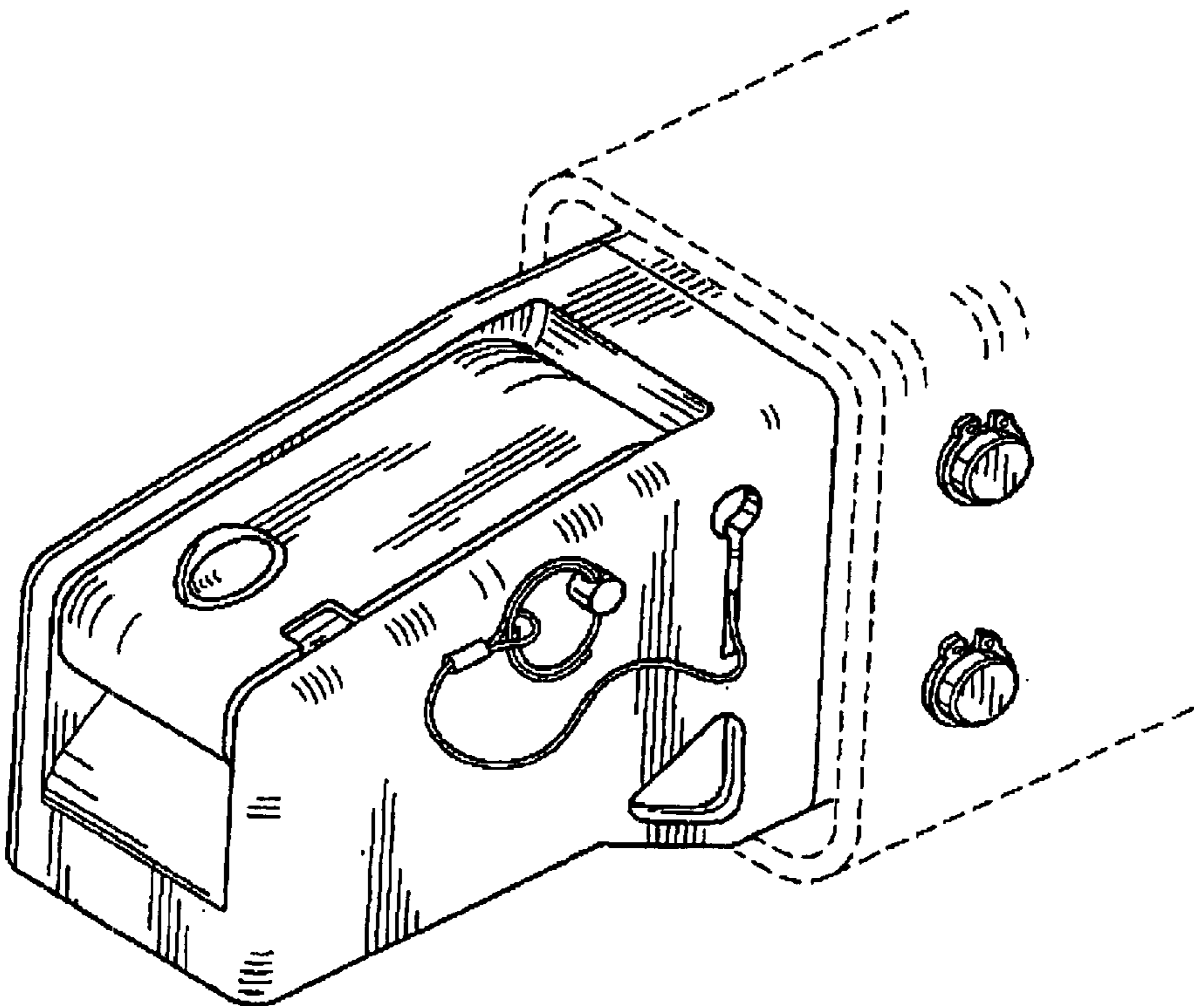


FIG. 1

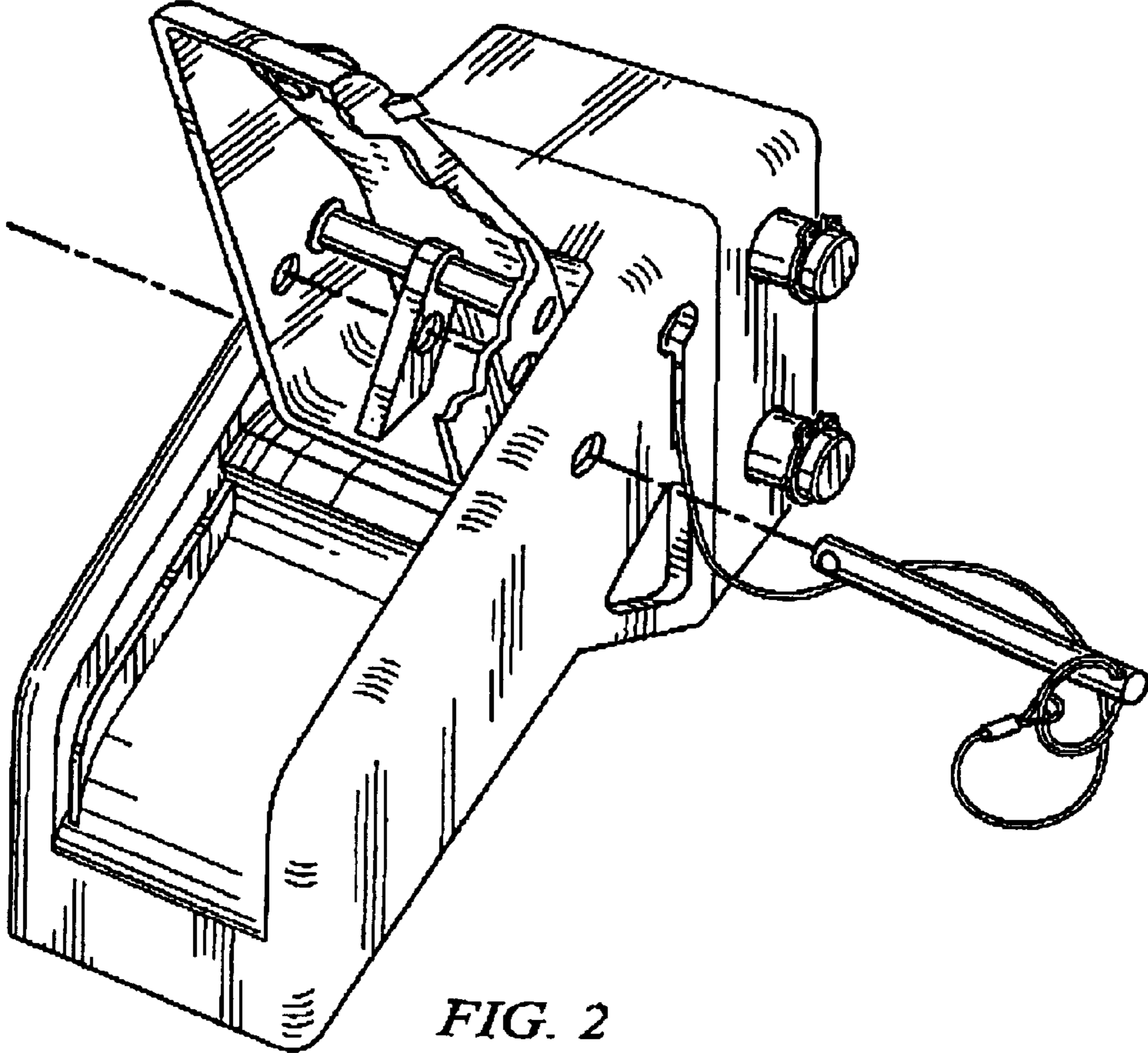
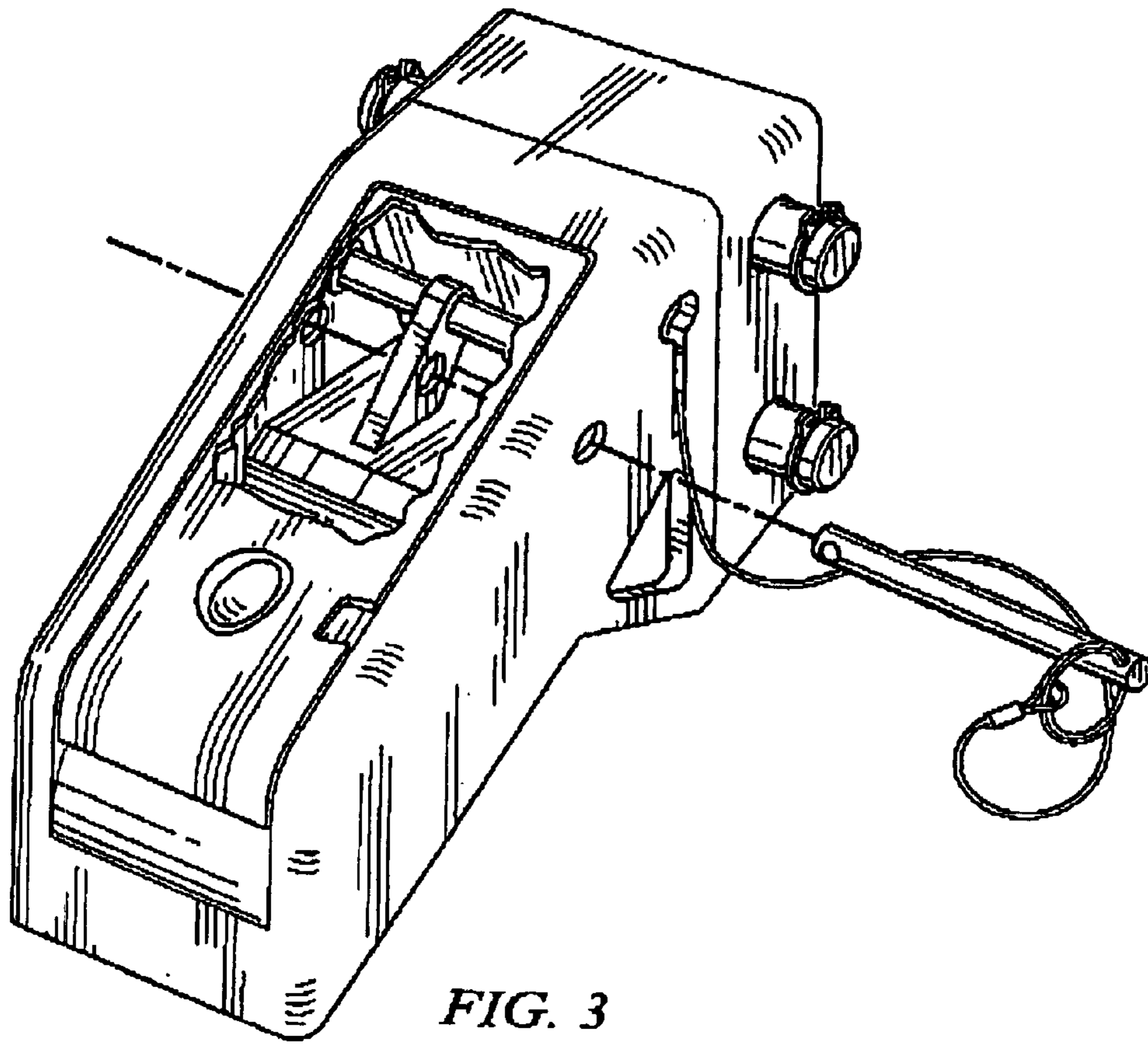


FIG. 2



*FIG. 3*

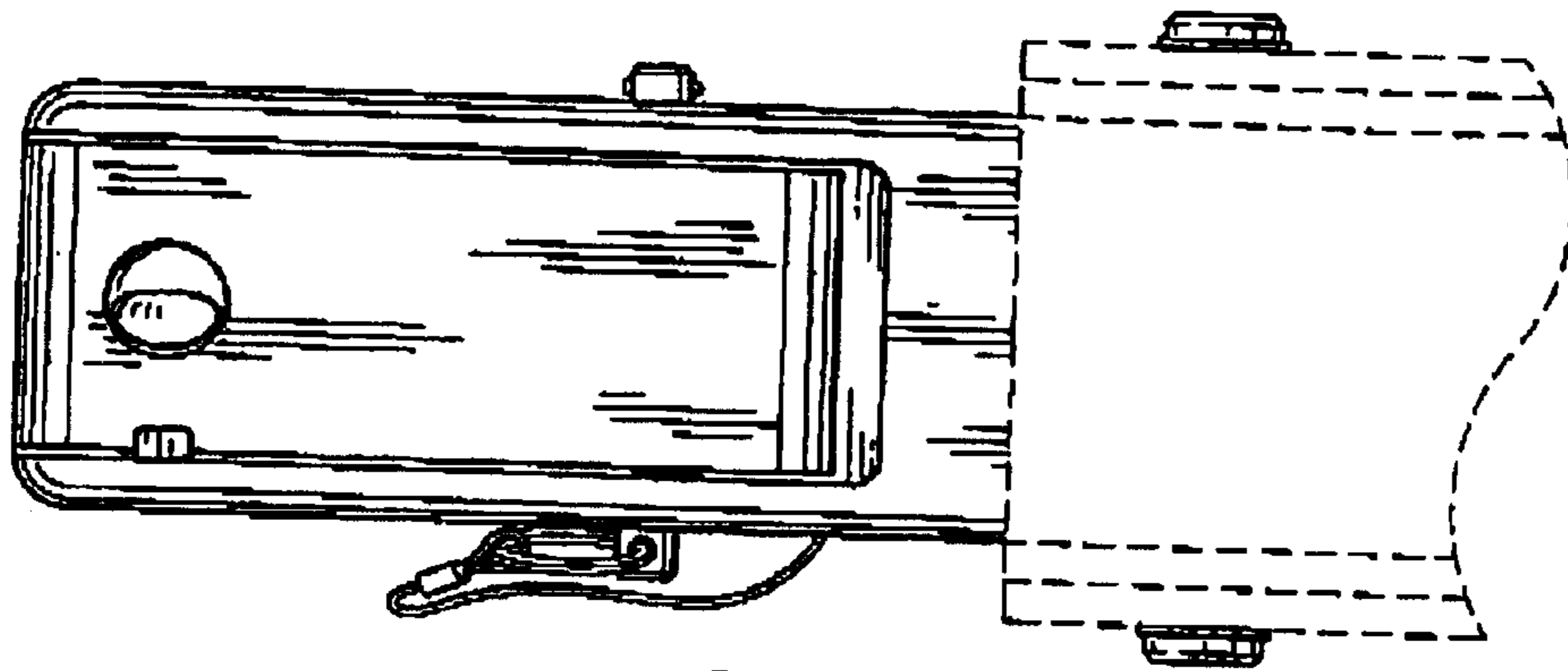


FIG. 4

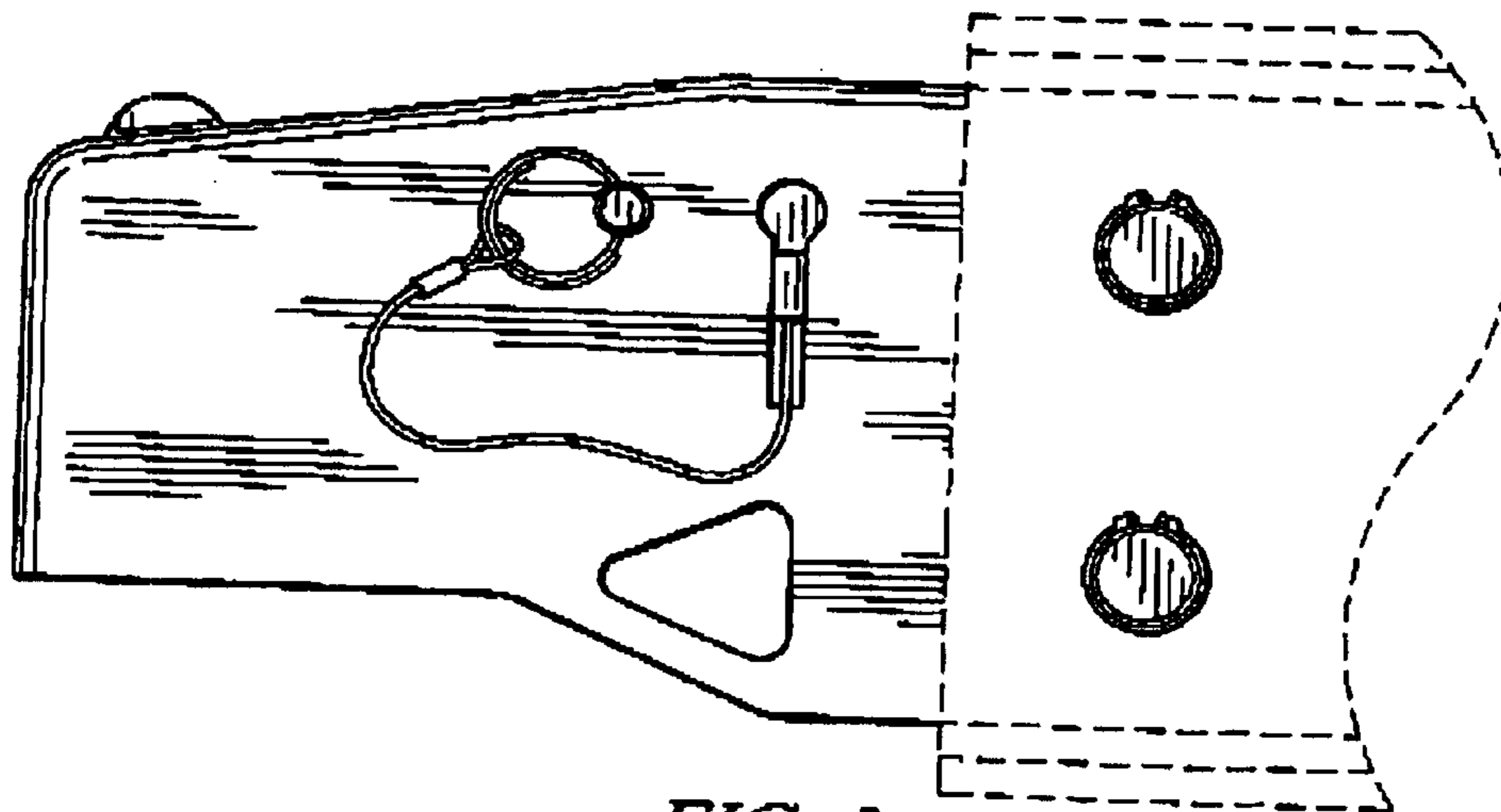


FIG. 5

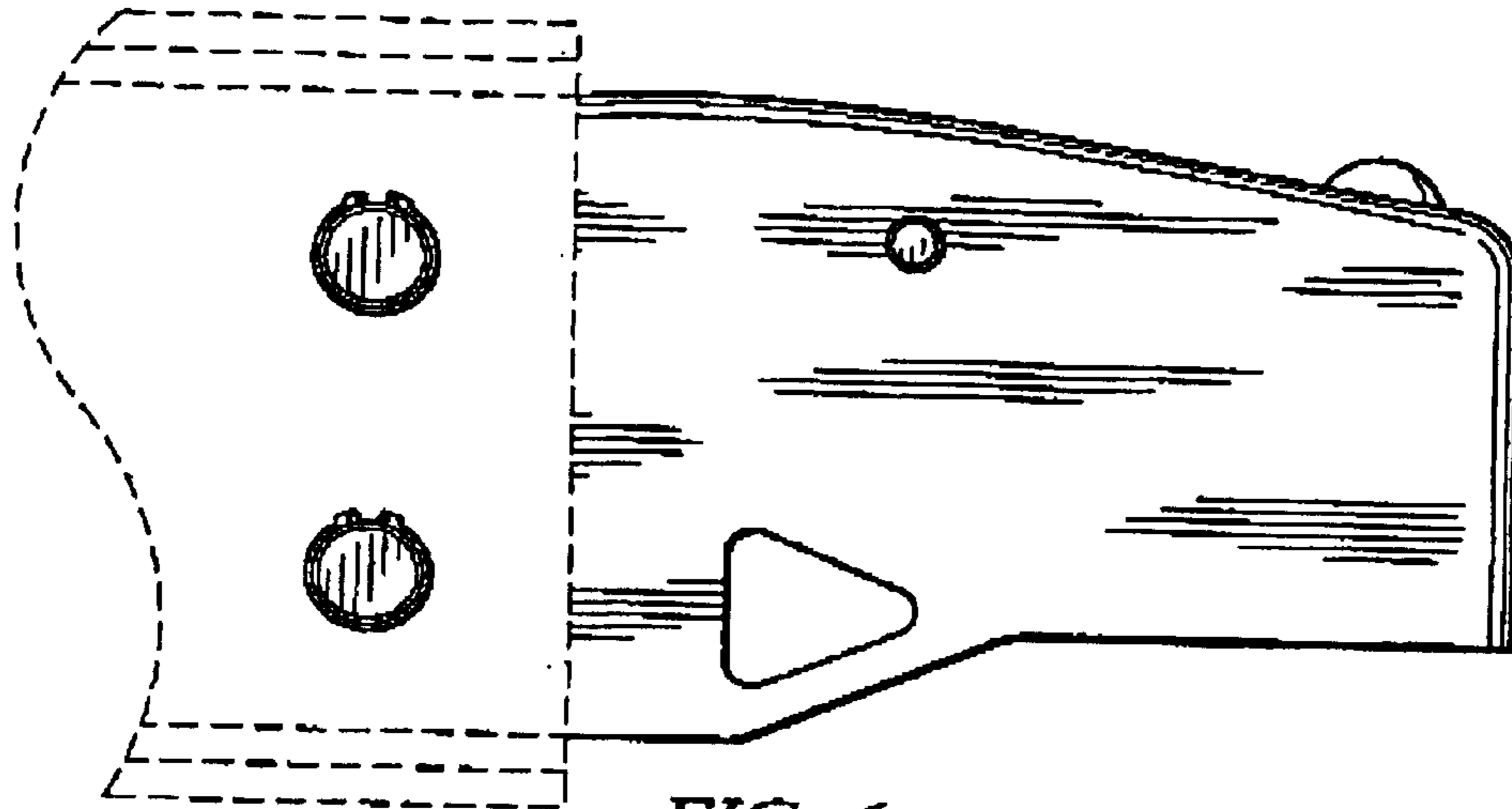


FIG. 6

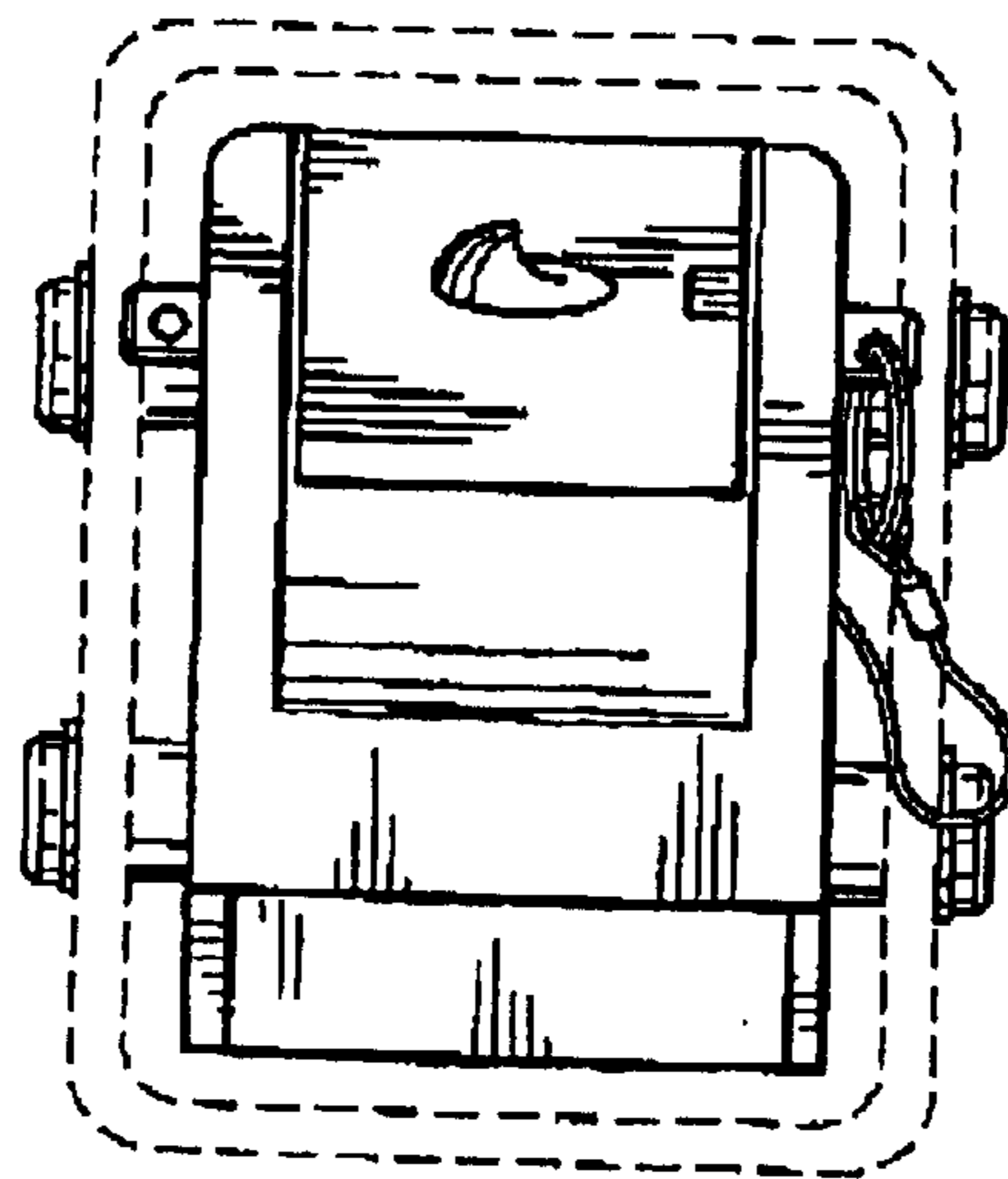
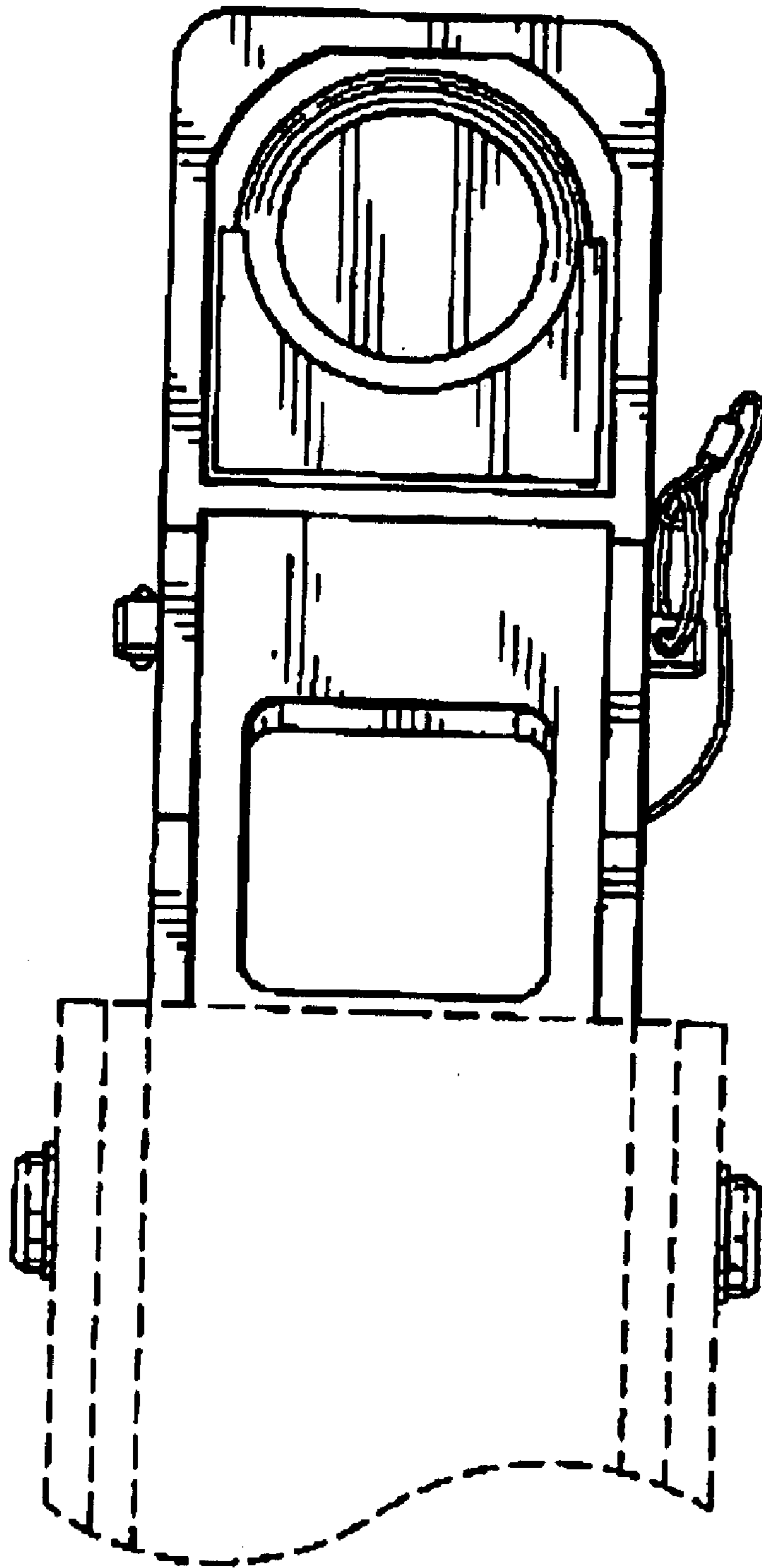
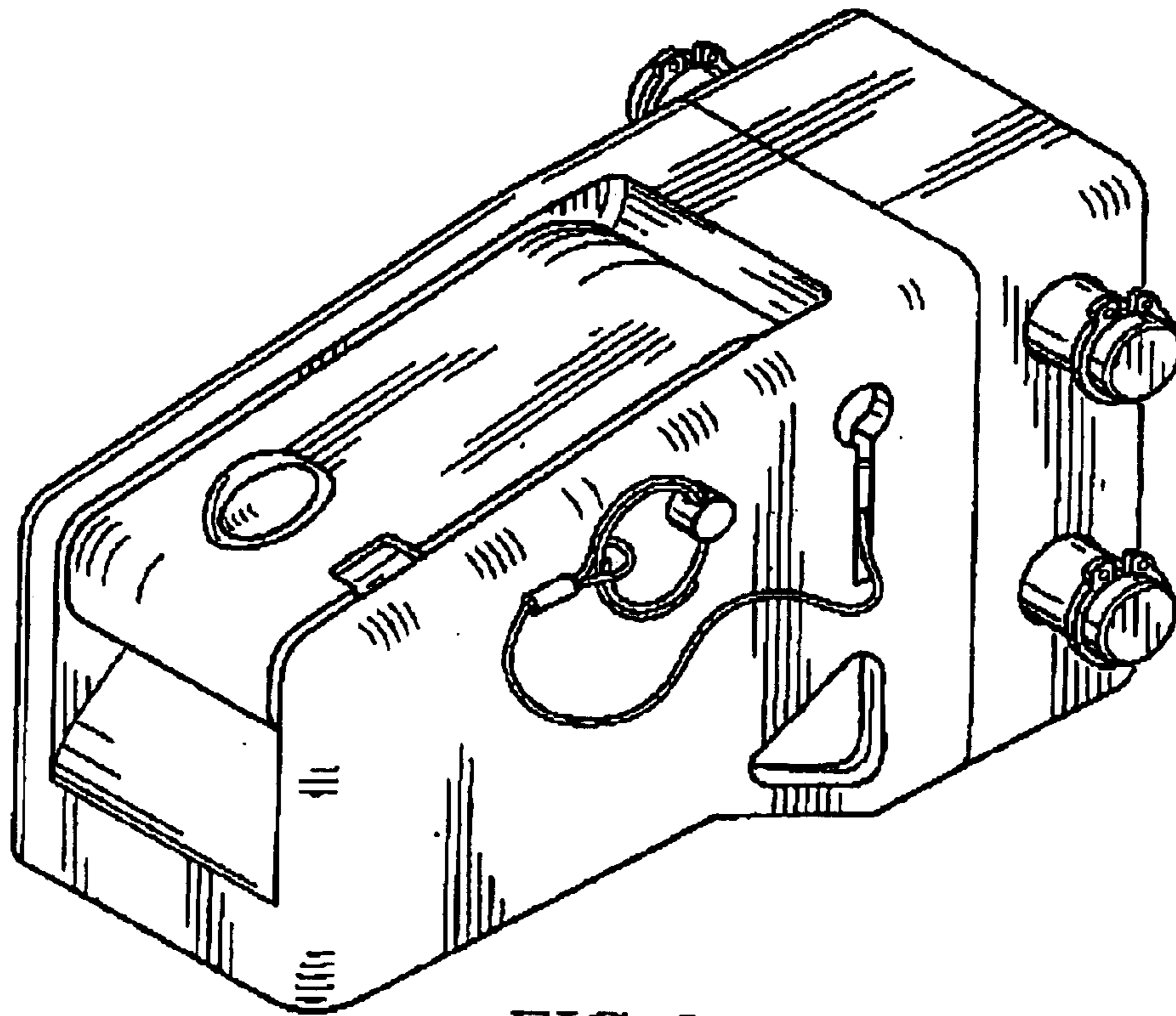


FIG. 7



*FIG. 8*



*FIG. 9*