



US00D540219S

(12) **United States Design Patent**
Oka

(10) **Patent No.:** **US D540,219 S**

(45) **Date of Patent:** **** Apr. 10, 2007**

(54) **TRUCK CAB**

D425,826 S * 5/2000 Hellhake et al. D12/96
D443,576 S * 6/2001 Hayashi et al. D12/196

(75) Inventor: **Takashi Oka**, Ageo (JP)

OTHER PUBLICATIONS

(73) Assignee: **Nissan Diesel Motor Co., Ltd.**,
Ageo-shi, Saitama-ken (JP)

A Pre-notification of Reason for the Possible Rejection of the Pending Patent Examination of the corresponding Taiwanese patent application No. 93304544 with English translation.

(**) Term: **14 Years**

Two pages of 'Motor Magazine' published in Dec. 2000, No. 545.

(21) Appl. No.: **29/210,206**

(22) Filed: **Jul. 29, 2004**

* cited by examiner

(30) **Foreign Application Priority Data**

Feb. 2, 2004 (JP) 2004-002590

Primary Examiner—Melody N. Brown

(51) **LOC (8) Cl.** **12-16**

(52) **U.S. Cl.** **D12/96**

(74) *Attorney, Agent, or Firm*—Armstrong, Kratz, Quintos, Hanson & Brooks, LLP

(58) **Field of Classification Search** D12/96,
D12/93; 296/190.1–190.3, 190.8; 180/89.12,
180/89.14, 89.16, 89.19

See application file for complete search history.

(57) **CLAIM**

The ornamental design for a truck cab, as shown and described.

(56) **References Cited**

DESCRIPTION

U.S. PATENT DOCUMENTS

D344,472 S * 2/1994 Savio D12/96
D412,301 S * 7/1999 Dirks D12/96
D412,683 S * 8/1999 Sacco et al. D12/96
D416,829 S * 11/1999 Sacco et al. D12/96
D422,534 S * 4/2000 Hellhake et al. D12/96
D422,944 S * 4/2000 Hellhake et al. D12/96
D424,476 S * 5/2000 Hellhake et al. D12/96

FIG. 1 is a front, top and right perspective view of the truck cab of the present invention;

FIG. 2 is a top plan view thereof;

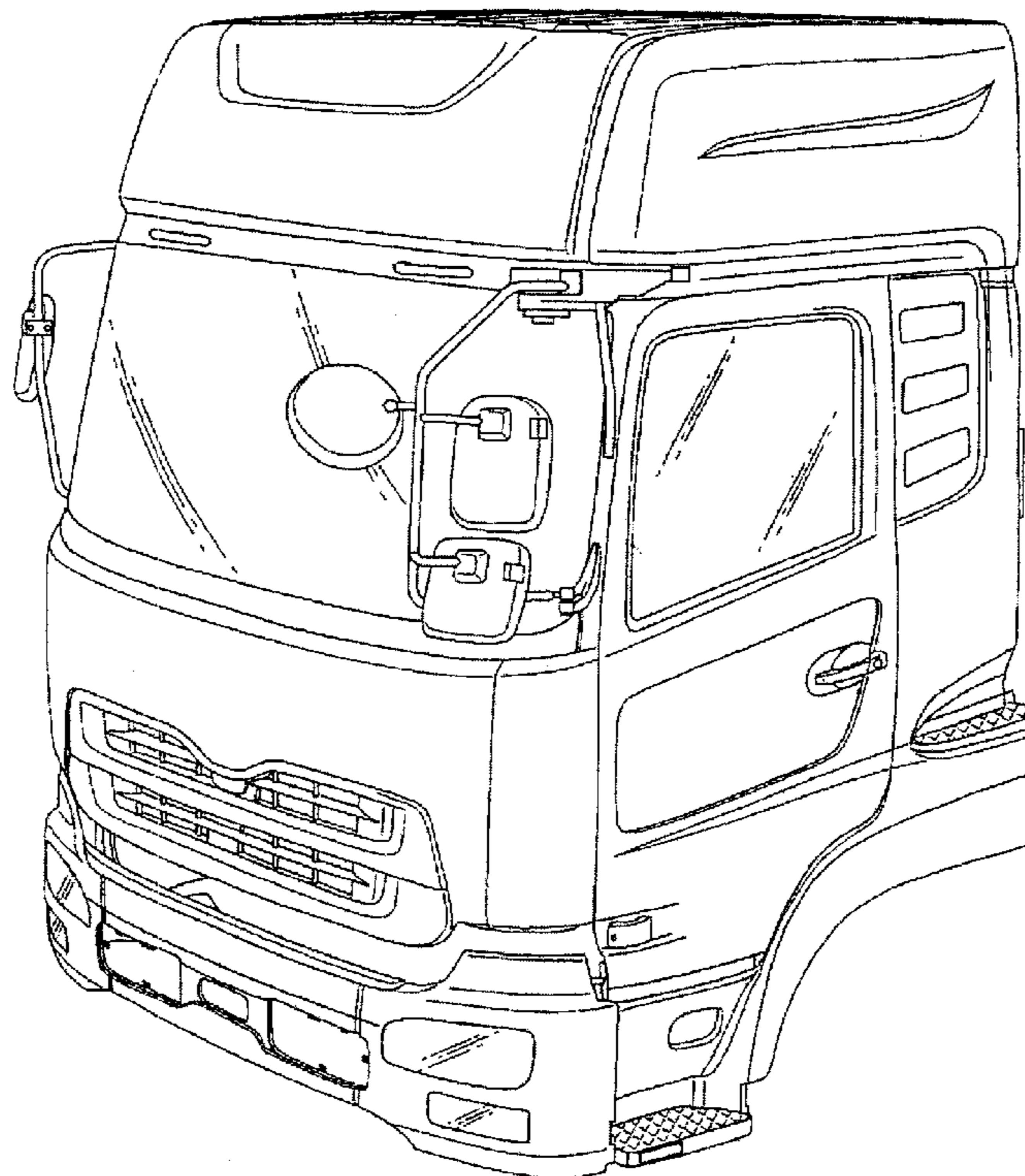
FIG. 3 is a front elevational view thereof;

FIG. 4 is a rear elevational view thereof;

FIG. 5 is a right side elevational view thereof; and,

FIG. 6 is a left side elevational view thereof.

1 Claim, 6 Drawing Sheets



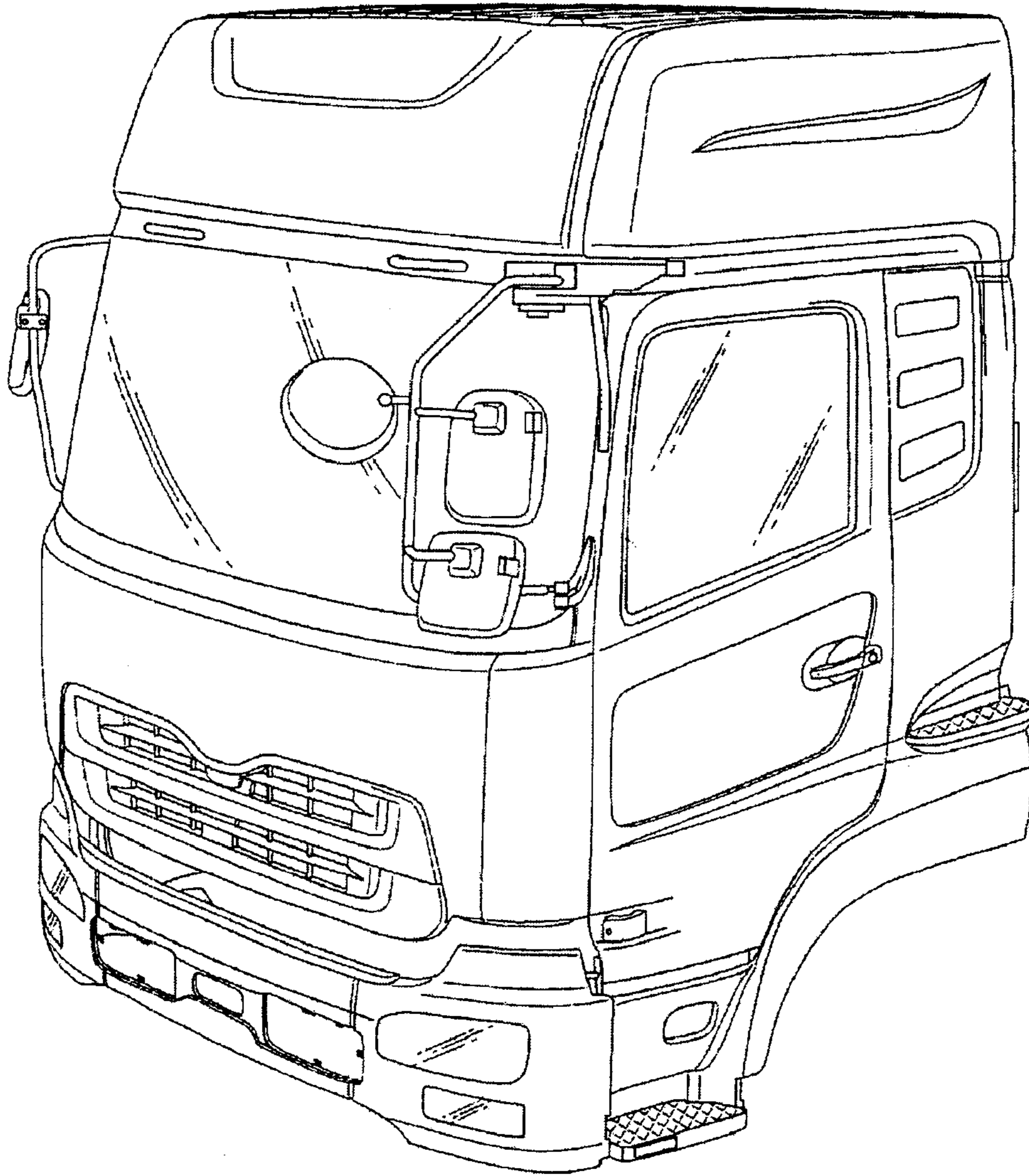


FIG. 1

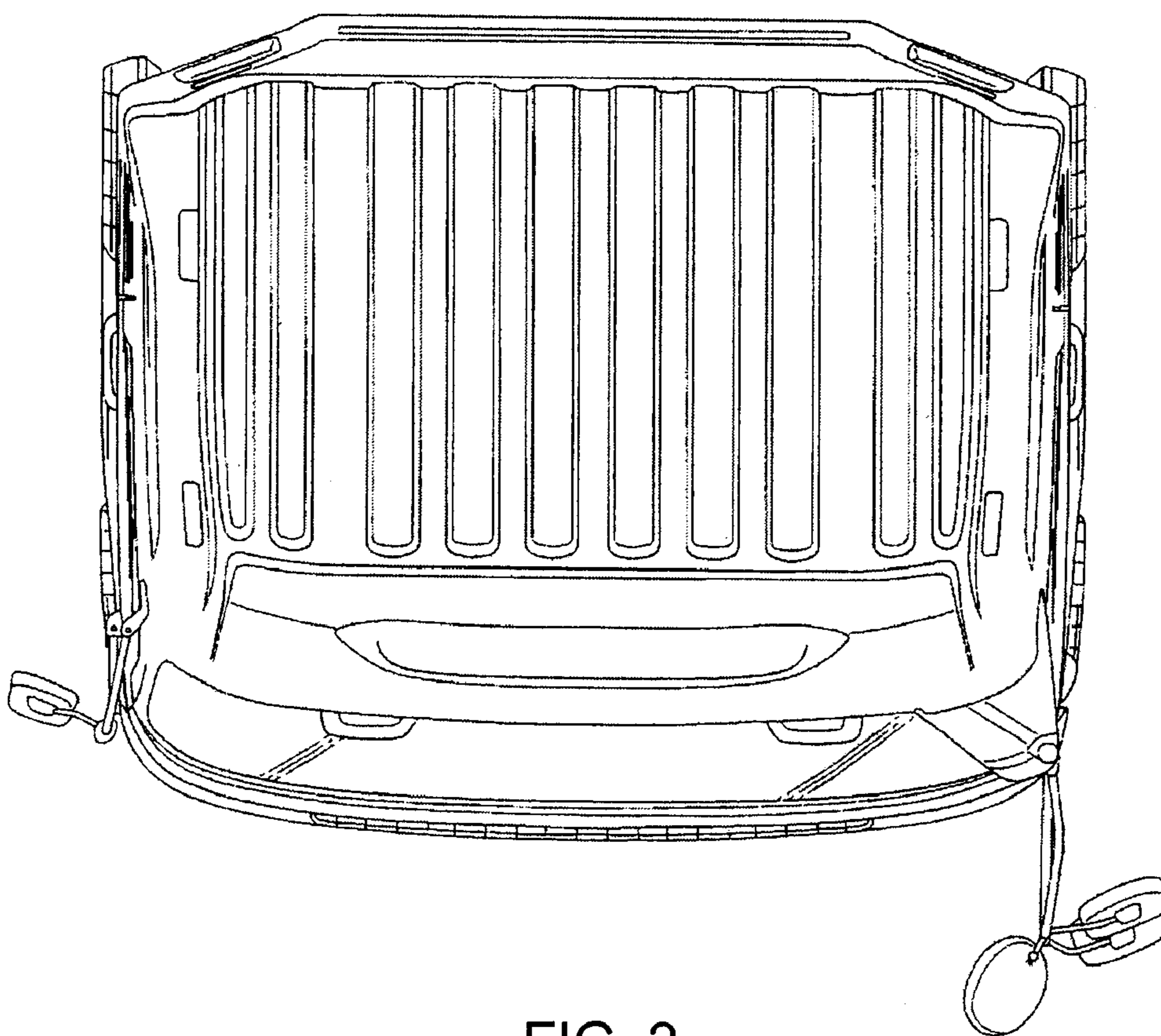


FIG. 2

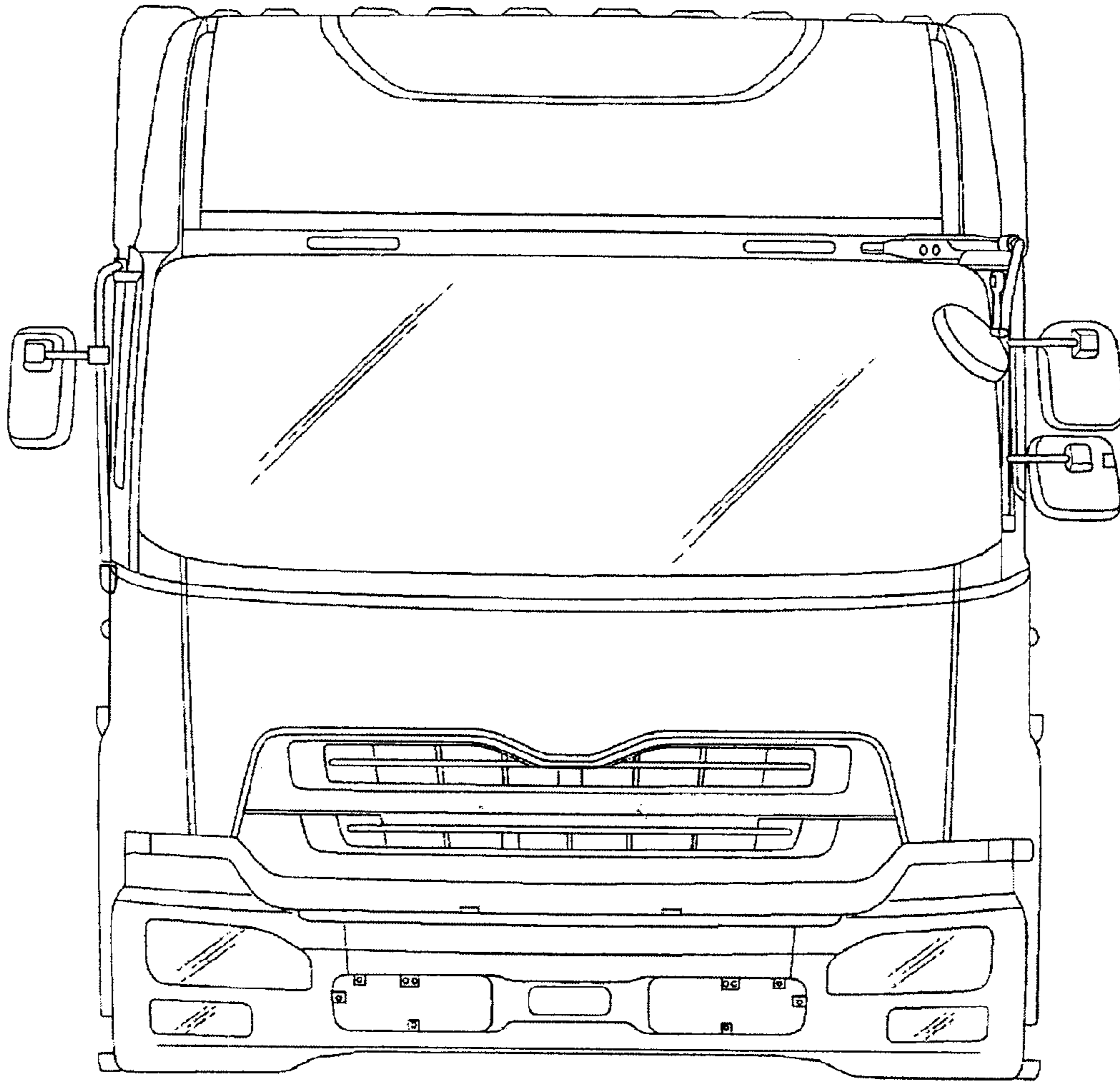


FIG. 3

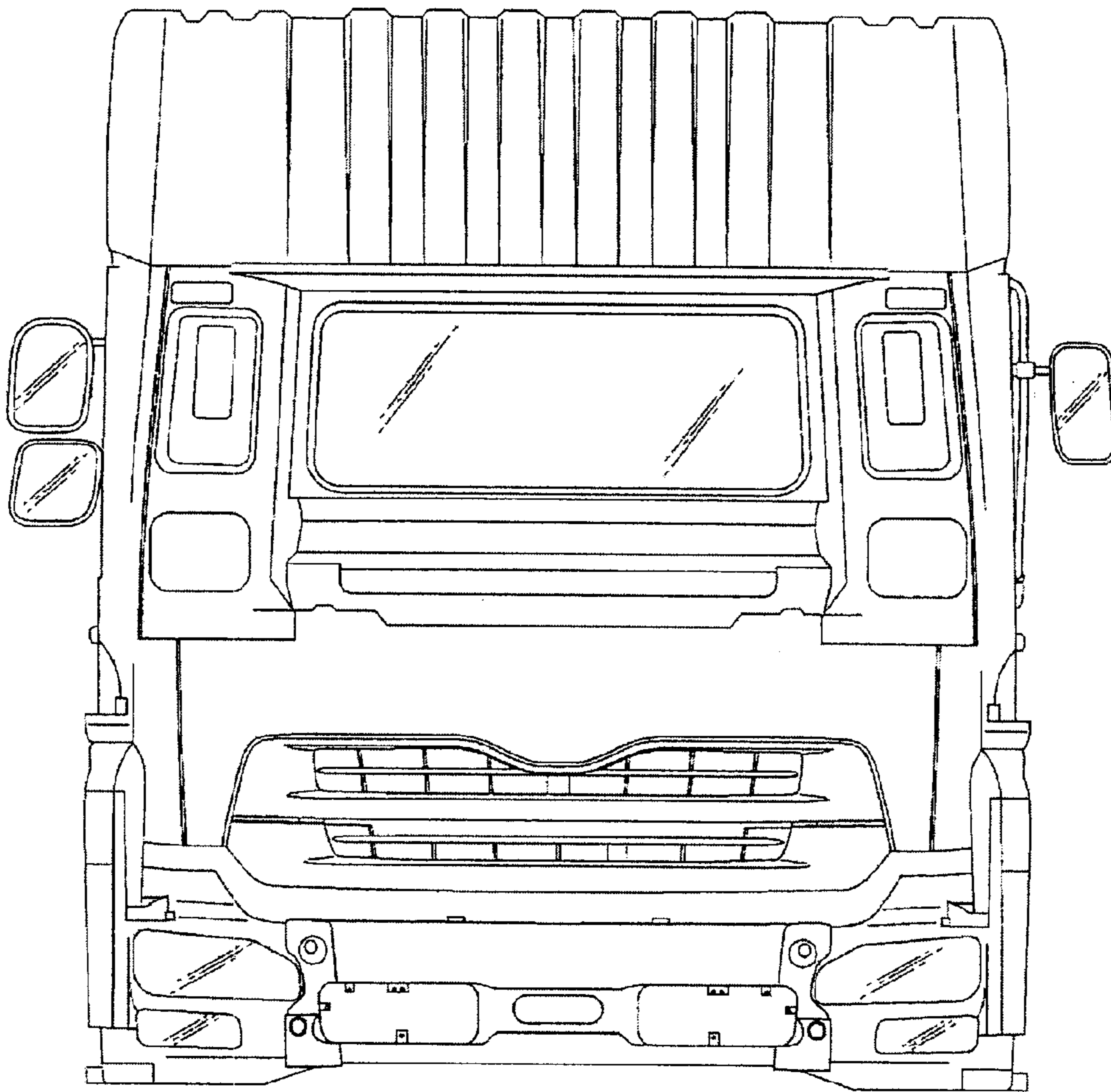


FIG. 4

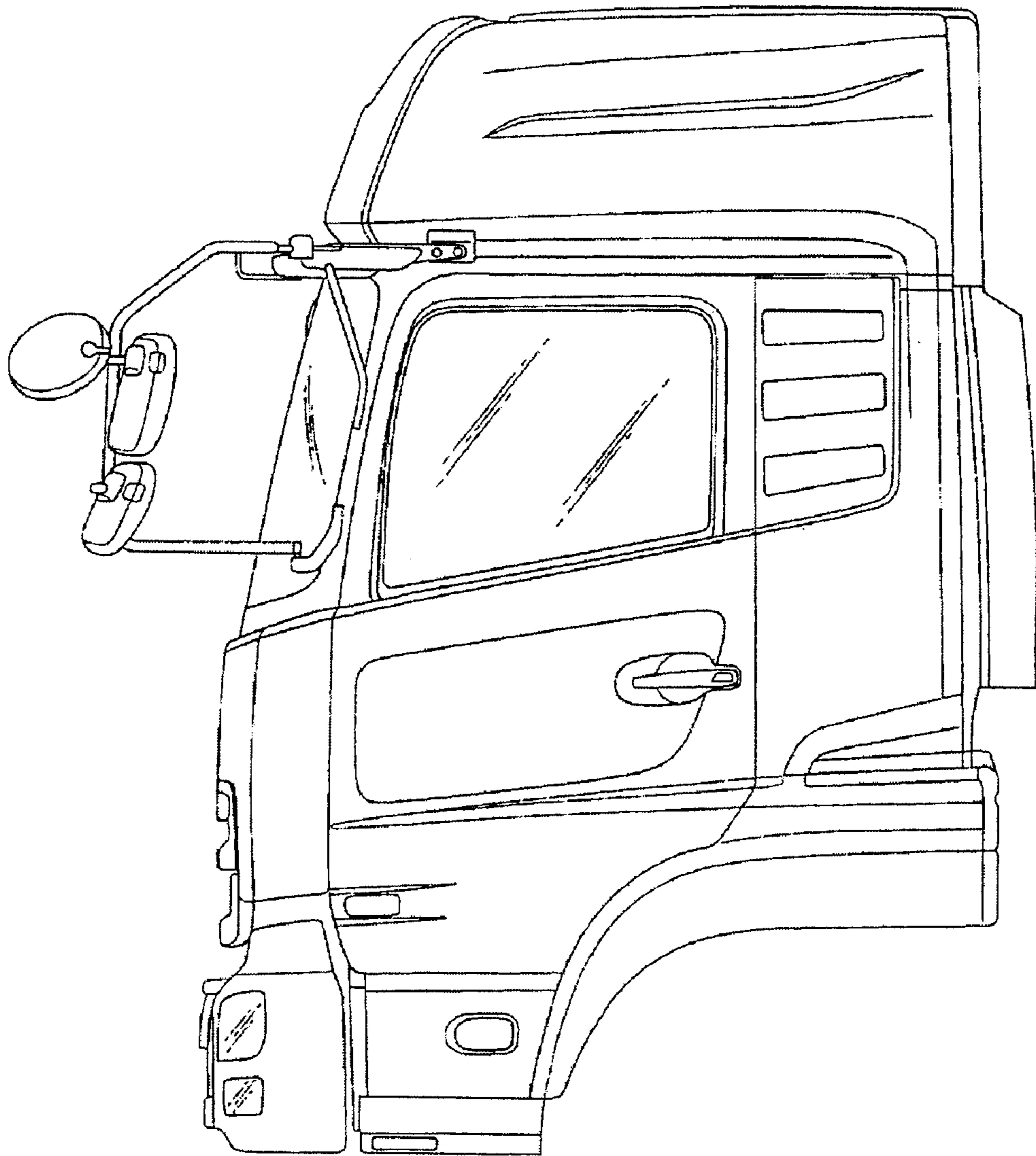


FIG. 5

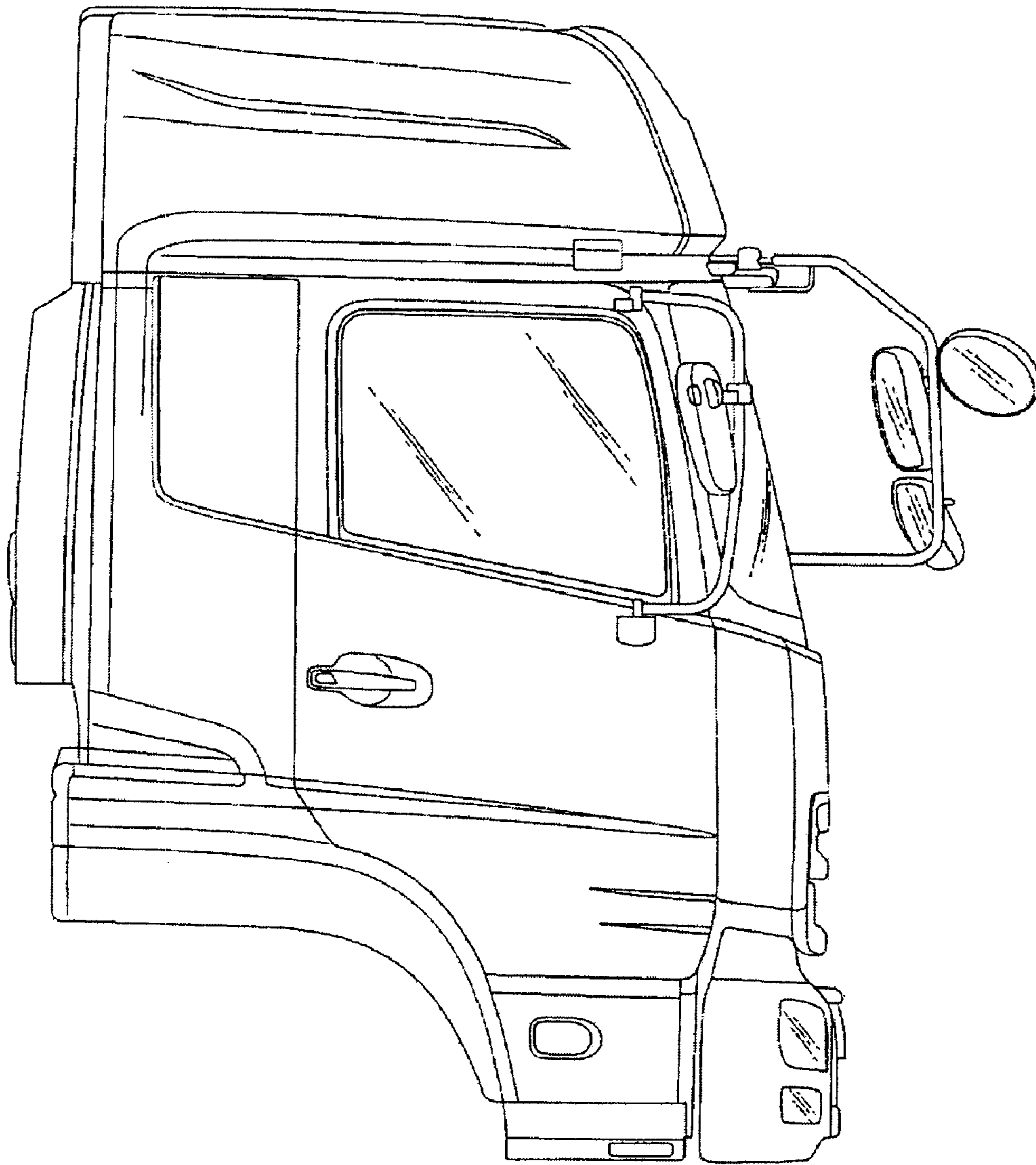


FIG. 6