

US00D540216S

(12) **United States Design Patent**
Pfeiffer

(10) **Patent No.:** **US D540,216 S**

(45) **Date of Patent:** **** Apr. 10, 2007**

(54) **SURFACE CONFIGURATION OF A VEHICLE, TOY, AND/OR OTHER REPLICAS**

(75) Inventor: **Peter Pfeiffer**, Boeblingen (DE)

(73) Assignee: **DaimlerChrysler AG**, Stuttgart (DE)

(**) Term: **14 Years**

(21) Appl. No.: **29/233,903**

(22) Filed: **Jul. 12, 2005**

(51) **LOC (8) Cl.** **12-08**

(52) **U.S. Cl.** **D12/92**

(58) **Field of Classification Search** D12/90–92,
D12/86; D21/424, 433, 548; 296/181.1, 181.5
See application file for complete search history.

(56) **References Cited**

U.S. PATENT DOCUMENTS

D432,951 S	*	10/2000	Pfeiffer et al.	D12/92
D434,346 S	*	11/2000	Pfeiffer	D12/92
D466,448 S	*	12/2002	Pfeiffer et al.	D12/92
D468,667 S	*	1/2003	Pfeiffer et al.	D12/92
D514,027 S	*	1/2006	Pfeiffer et al.	D12/92
D521,900 S	*	5/2006	Schumacher	D12/86

OTHER PUBLICATIONS

- Auto Bild, Version 11/2005, Mar. 18, 2005.
- Auto Zeitung, “C-Klasse von morgen,” p. 11, Version 11/2003, May 7, 2003.
- Auto Zeitung, p. 14, Version 13/2003, Jun. 4, 2003.
- Auto Zeitung, p. 14, Version 13/2004, Jun. 2, 2004.
- Auto Bild, Nr. 1, Jan. 7, 2005.
- Auto Bild, Nr. 11, Mar. 18, 2005.
- Auto Bild, Nr. 18, Apr. 30, 2004.
- Auto motor und sport, Jul. 2003.
- Auto motor und sport, “Auf Grosser Fahrt,” Booklet 21, Sep. 29, 2004, pp. 1–6.
- Auto Strasseverkehr, “Daimiers Neuer Chic,” Dec. 3, 2004, pp. 1–4.
- Weyer, Peter, “Neuer Schwung,” stern, Feb. 10, 2005, pp. 1–2. Auto Bild.

* cited by examiner

Primary Examiner—Melody N. Brown
(74) *Attorney, Agent, or Firm*—Crowell & Moring LLP

(57) **CLAIM**

The ornamental design for a surface configuration of a vehicle, toy, and/or other replicas, as shown and described.

DESCRIPTION

This application is related to the following co-pending applications, of the inventor, filed on even date herewith: application Ser. No. 29/233,904, entitled “Surface Configuration of a Vehicle, Toy, and/or Other Replicas”; application Ser. No. 29/233,873, entitled “Surface Configuration of a Headlight for a Vehicle”; and application Ser. No. 29/233,874, entitled “Surface Configuration of a Taillight for a Vehicle”; and application Ser. No. 29/233,867, entitled “Surface Configuration of a Radiator Grill for a Vehicle”.

FIG. 1 is a left, front perspective view of a surface configuration of a vehicle, toy, and/or other replicas according to my novel design, the right, front perspective view being mirror symmetrical;

FIG. 2 is a left, rear perspective view of the surface configuration of a vehicle, toy, and/or other replicas according to my novel design, the right, rear perspective view being mirror symmetrical;

FIG. 3 is a right side view of the surface configuration of a vehicle, toy, and/or other replicas according to my novel design;

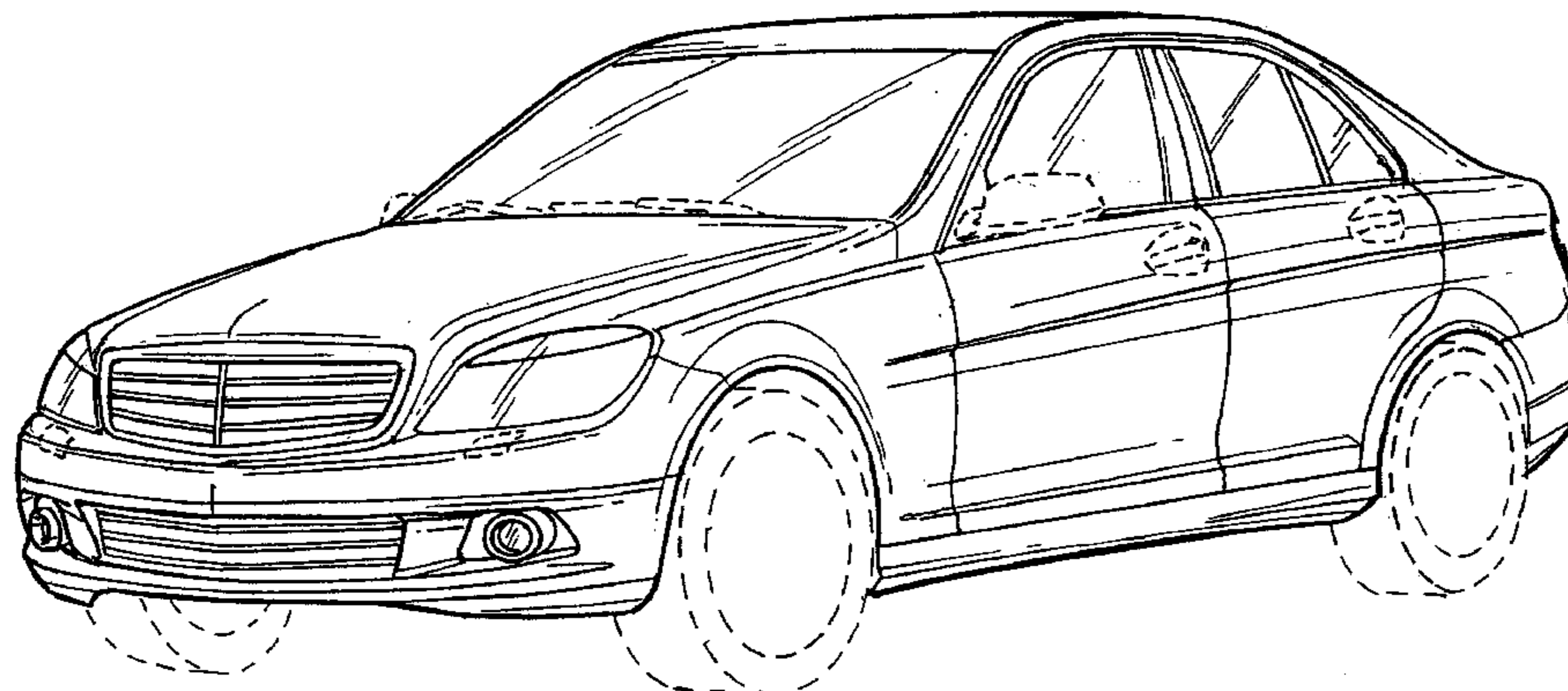
FIG. 4 is a left side view of the surface configuration of a vehicle, toy, and/or other replicas according to my novel design;

FIG. 5 is a front view of the surface configuration of a vehicle, toy, and/or other replicas according to my novel design; and,

FIG. 6 is a rear view of the surface configuration of a vehicle, toy, and/or other replicas according to my novel design.

The broken lines are for illustrative purposes only and form no part of the claimed design.

1 Claim, 4 Drawing Sheets



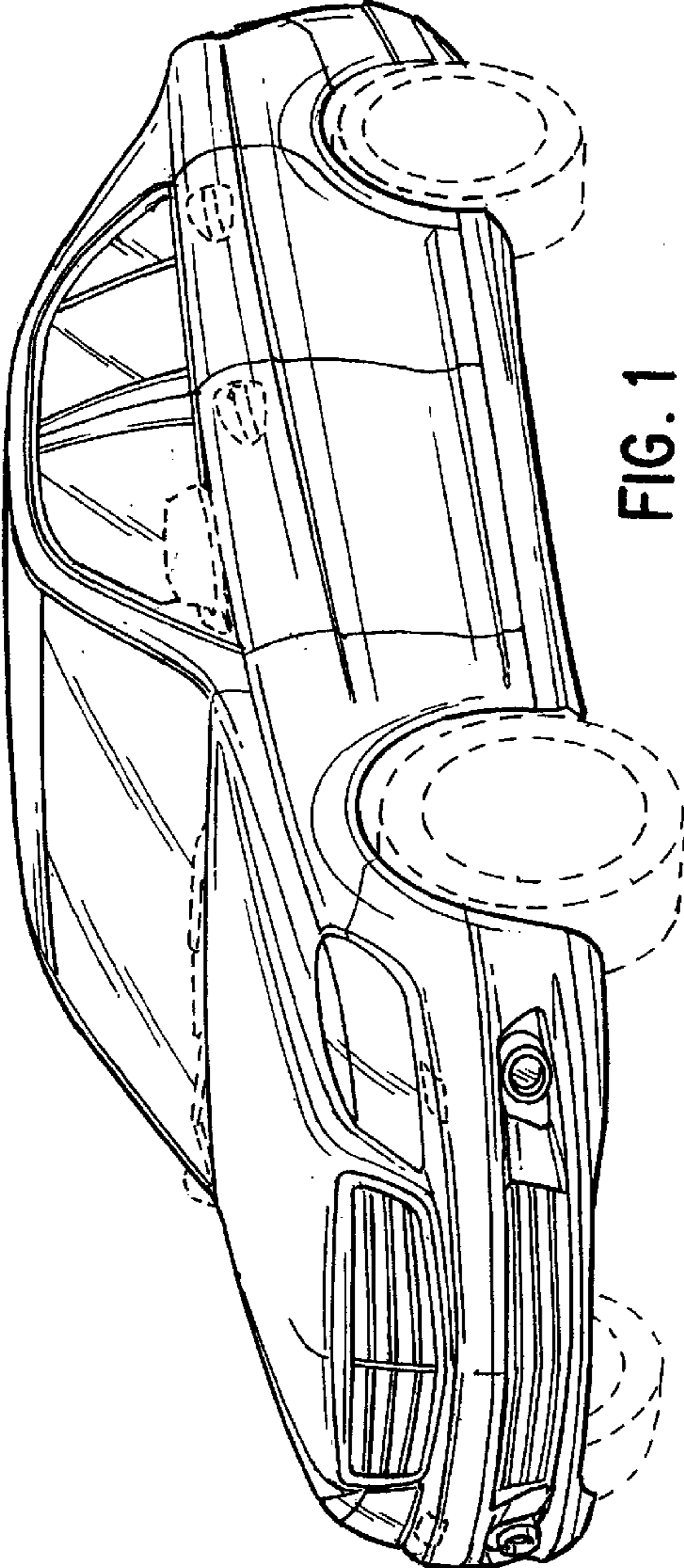


FIG. 1

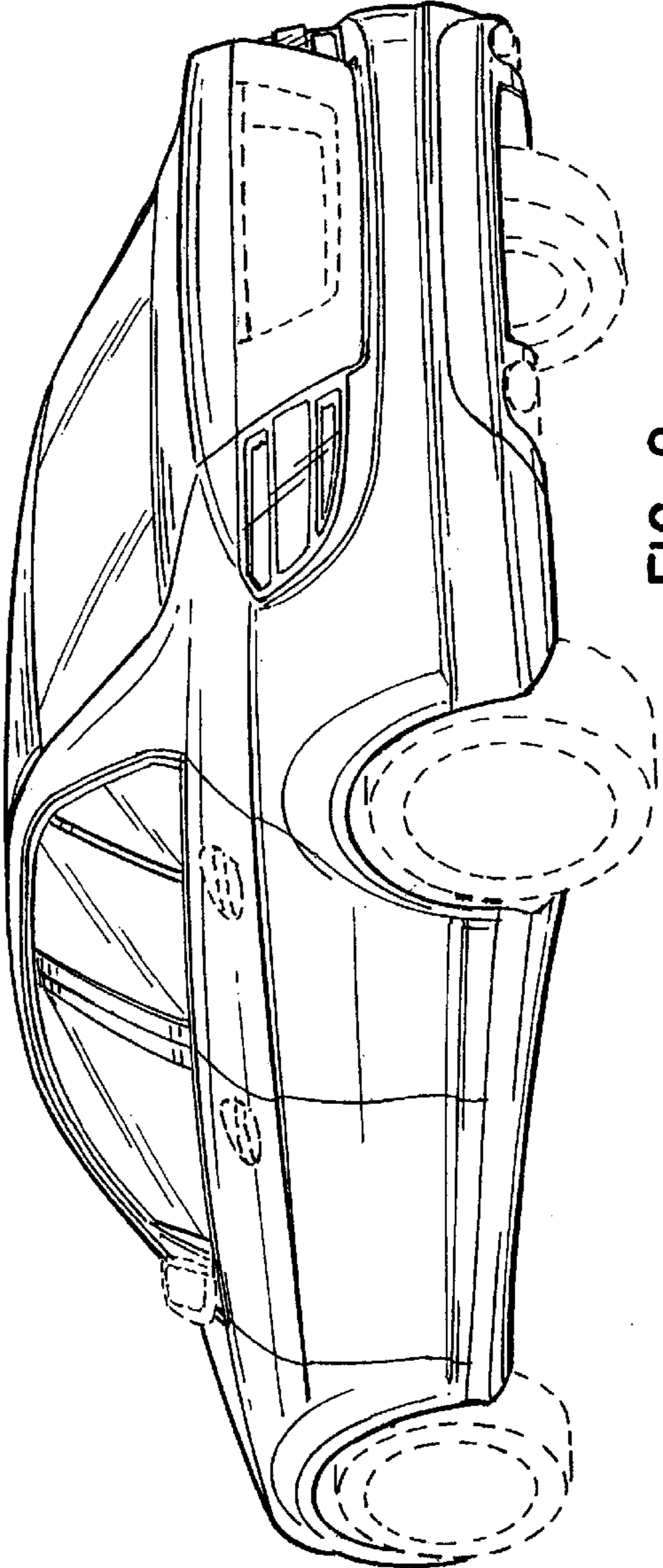


FIG. 2

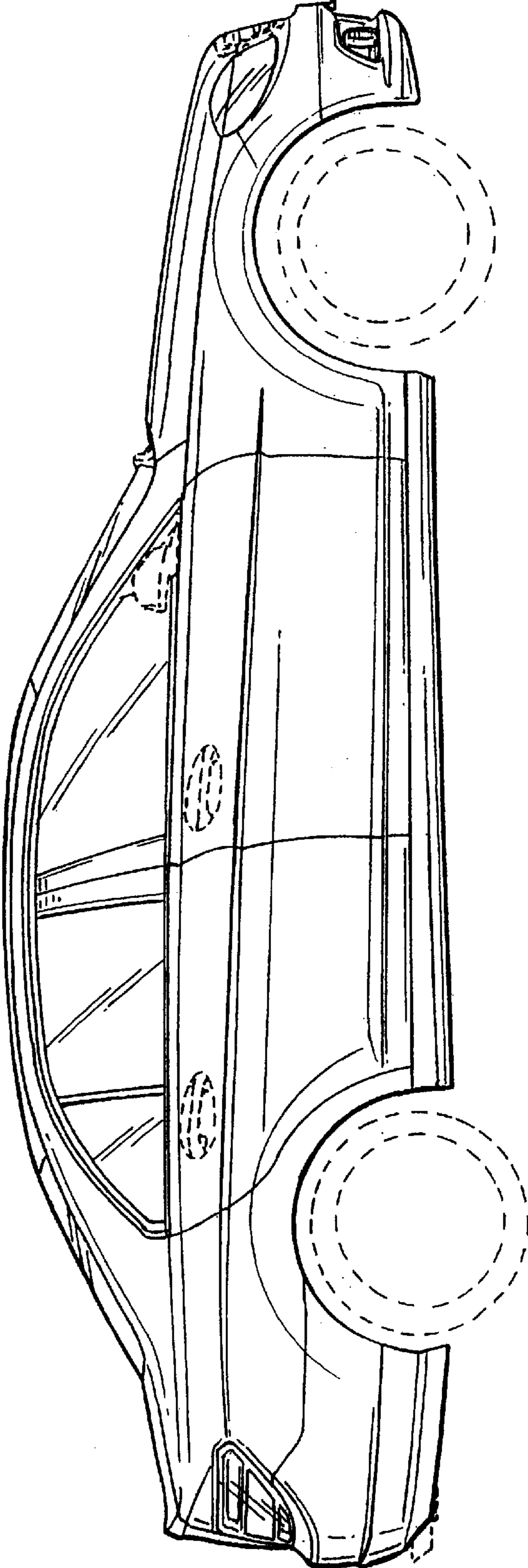


FIG. 3

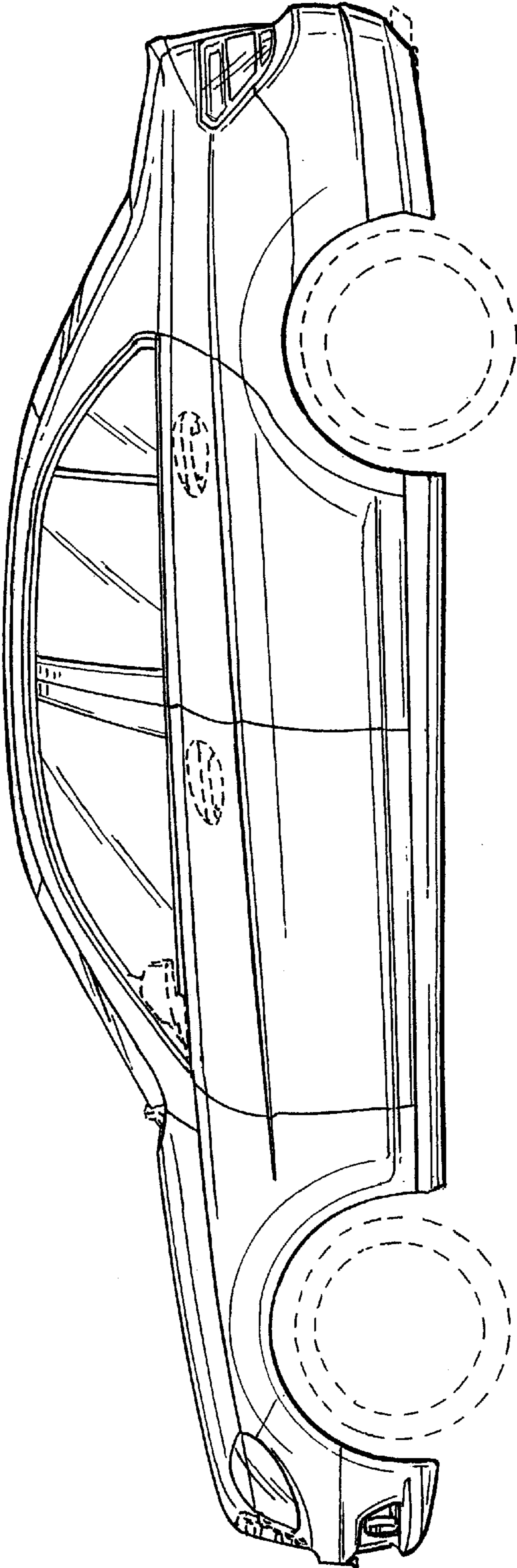


FIG. 4

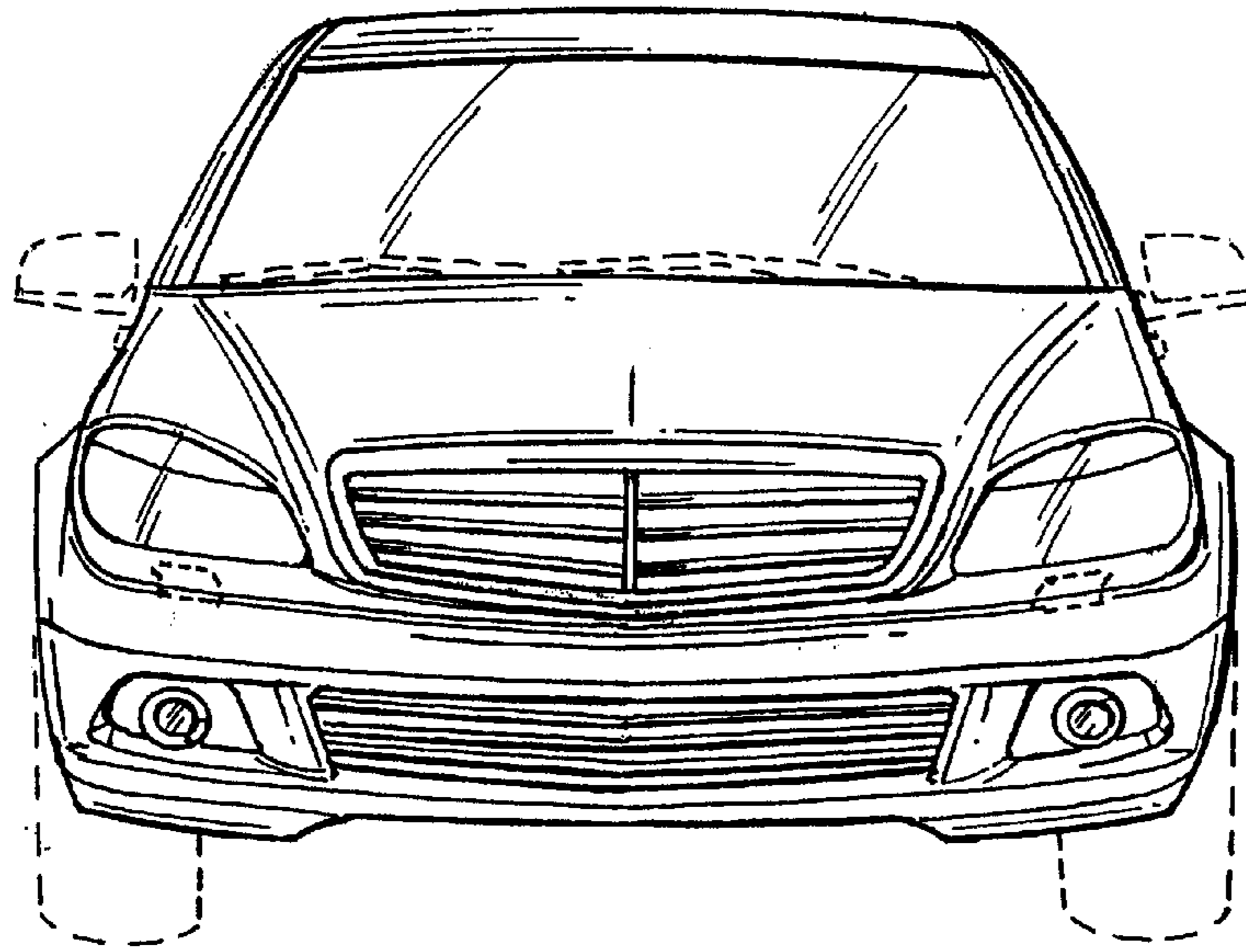


FIG. 5

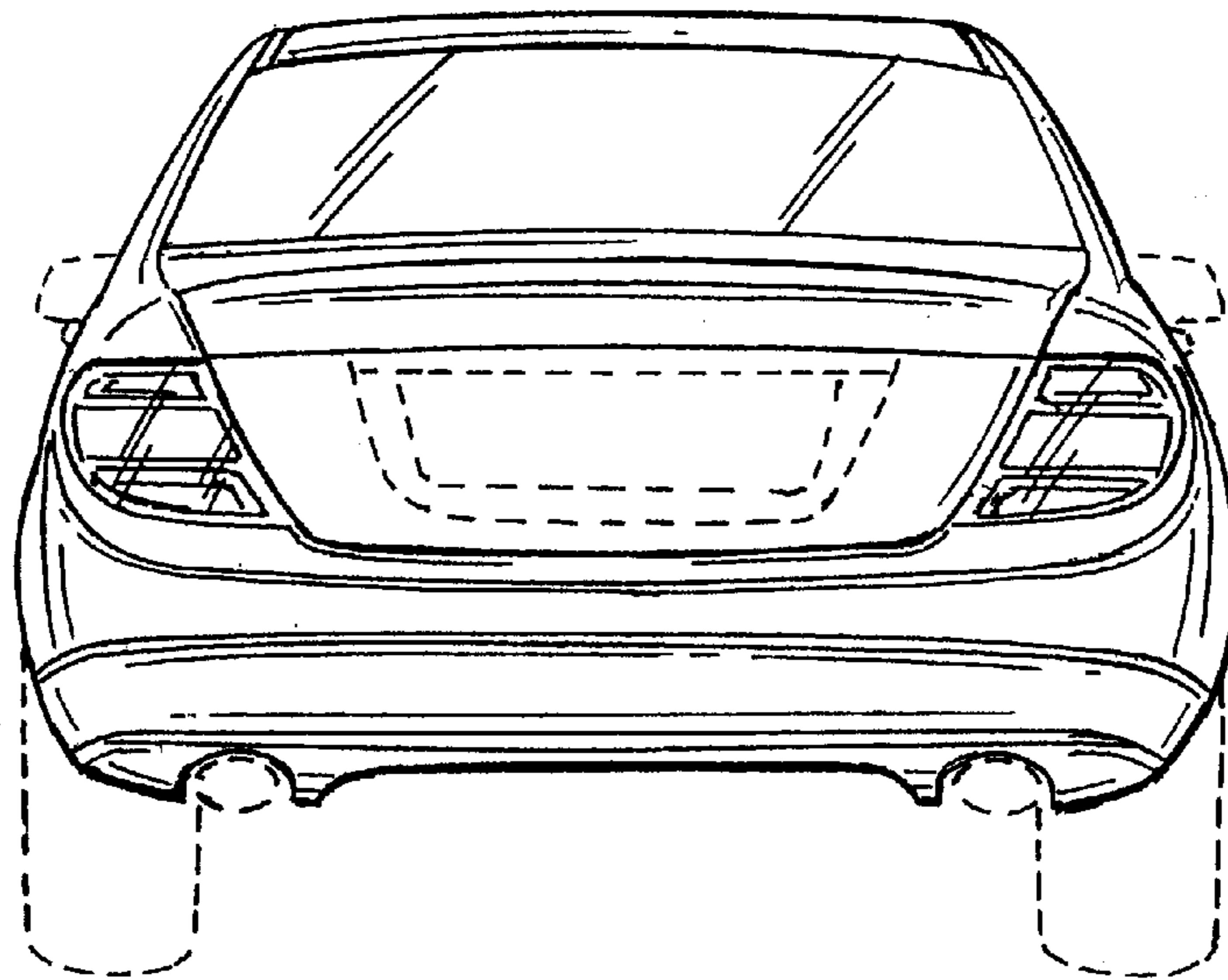


FIG. 6