

US00D540209S

(12) **United States Design Patent**
Mobley et al.

(10) **Patent No.:** **US D540,209 S**
(45) **Date of Patent:** **** Apr. 10, 2007**

(54) **CONTROL MODULE FOR BREATH ANALYZER IGNITION INTERLOCK DEVICE**

6,824,520 B2 * 11/2004 Orr et al. 600/529
6,853,956 B2 * 2/2005 Ballard et al. 702/183
2002/0084130 A1 * 7/2002 Der Ghazarian et al. ... 180/272

(75) Inventors: **Larry J. Mobley**, Raleigh, NC (US);
William Rathbun, Fuquay-Varina, NC (US);
Brian McMillin, Willoughby Hills, OH (US);
Michael Purdy, Clayton, NC (US);
James R. Lewis, Raleigh, NC (US)

* cited by examiner

Primary Examiner—Antoine D. Davis
(74) *Attorney, Agent, or Firm*—Myers Bigel Sibley & Sajovec

(73) Assignee: **Monitech, Inc.**, Raleigh, NC (US)

(57) **CLAIM**

The ornamental design for a control module for a breath analyzer ignition interlock device, as shown and described.

(**) Term: **14 Years**

DESCRIPTION

(21) Appl. No.: **29/239,521**

(22) Filed: **Sep. 30, 2005**

(51) **LOC (8) Cl.** **10-04**

(52) **U.S. Cl.** **D10/81**

(58) **Field of Classification Search** D10/81;
128/719, 745; 180/272; 340/576; 422/84;
436/132, 900; 600/532

See application file for complete search history.

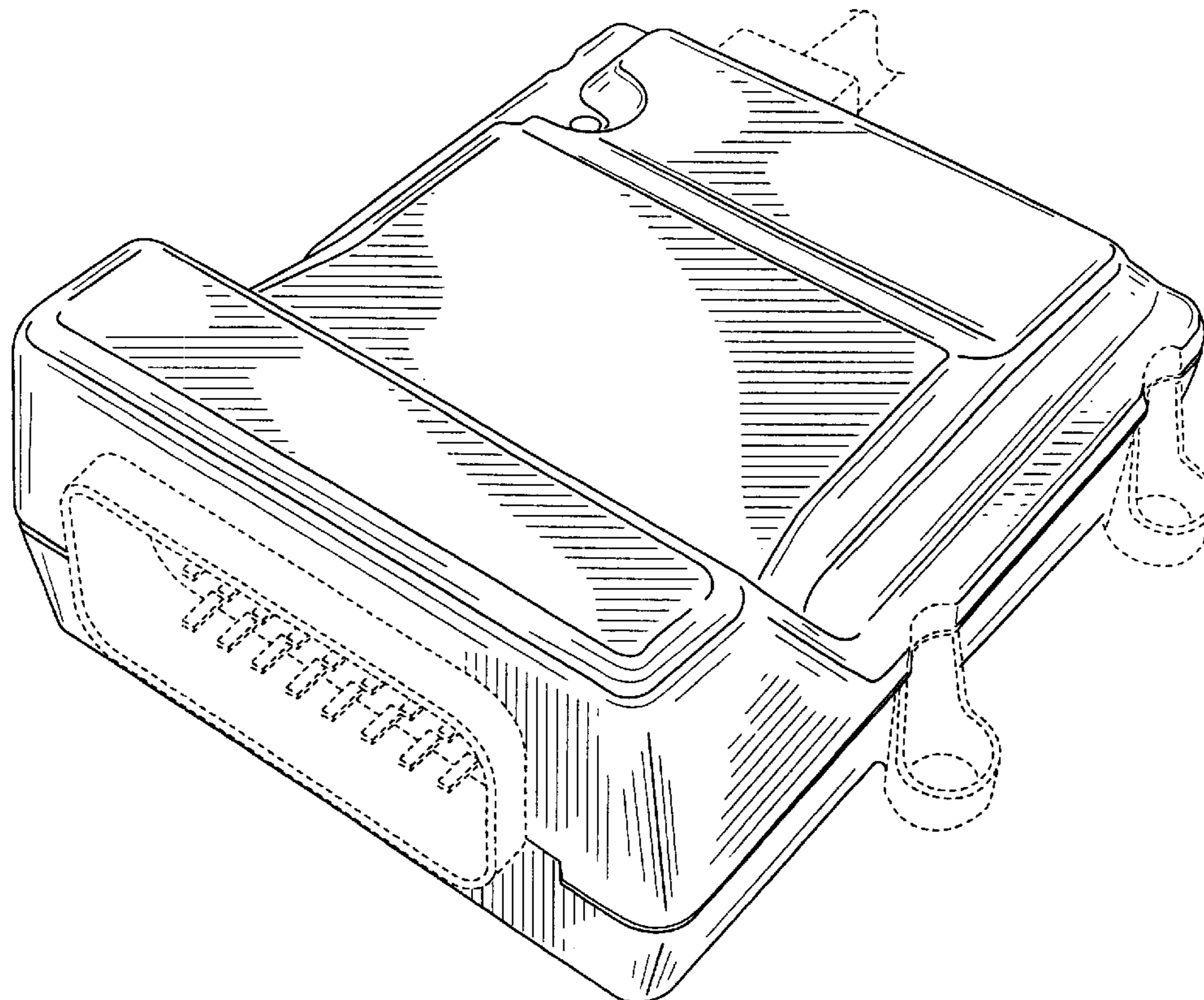
FIG. 1 is a perspective view of a control module for a breath analyzer ignition interlock device, showing our new design; FIG. 2 is a top plan view thereof; FIG. 3 is a side elevational view thereof; FIG. 4 is a bottom plan view thereof; FIG. 5 is a side elevational view thereof, opposite that shown in FIG. 3; FIG. 6 is a front elevational view thereof; FIG. 7 is a rear elevational view thereof, opposite that shown in FIG. 6; and, FIG. 8 is a perspective view of the control module of FIG. 1 shown in its environment. The broken lines shown herein are for illustrative purposes only and form no part of the claimed design.

(56) **References Cited**

U.S. PATENT DOCUMENTS

5,957,127 A * 9/1999 Yamamori et al. 128/204.22
6,726,636 B2 * 4/2004 Der Ghazarian et al. ... 600/532

1 Claim, 7 Drawing Sheets



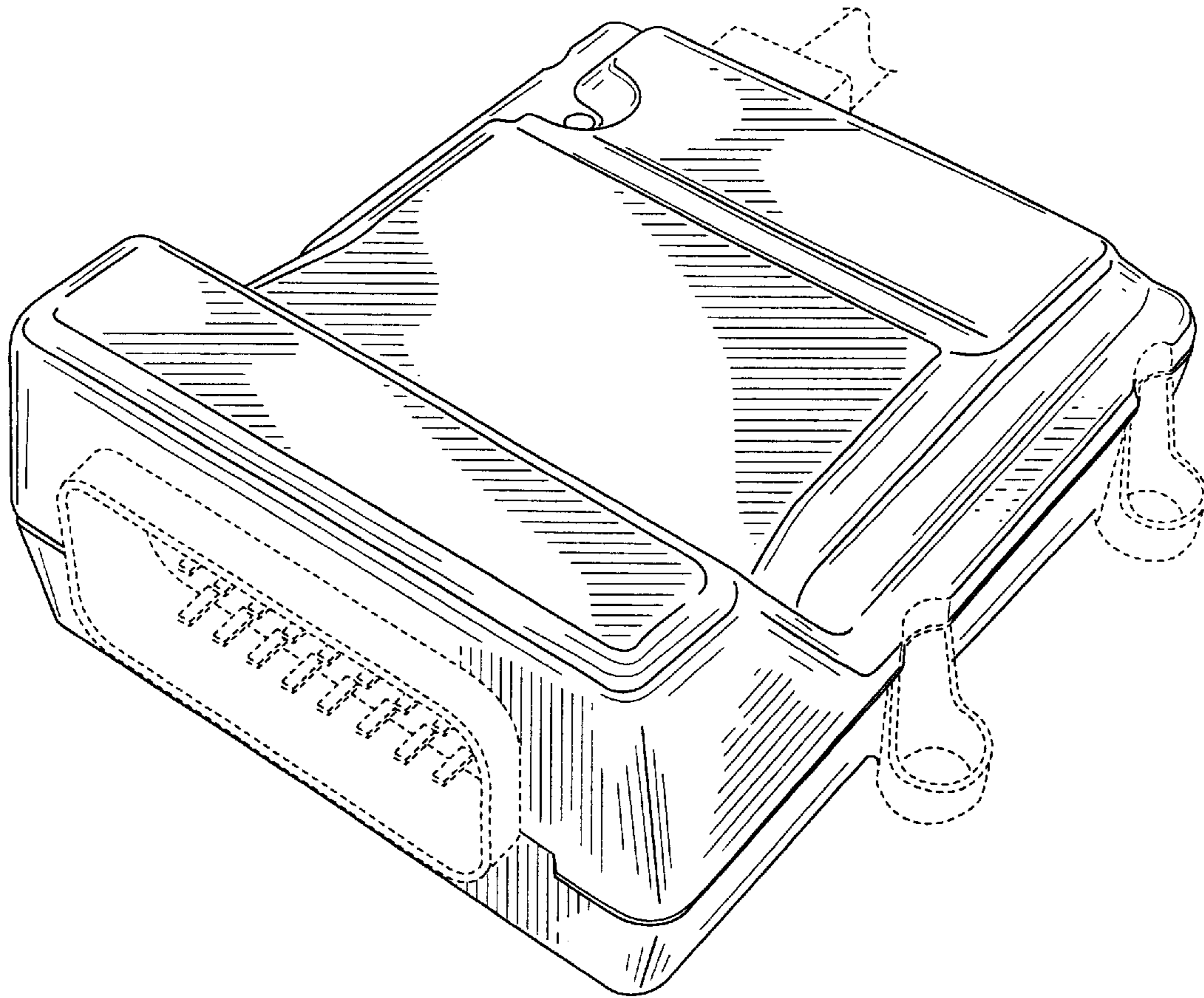


FIG. 1

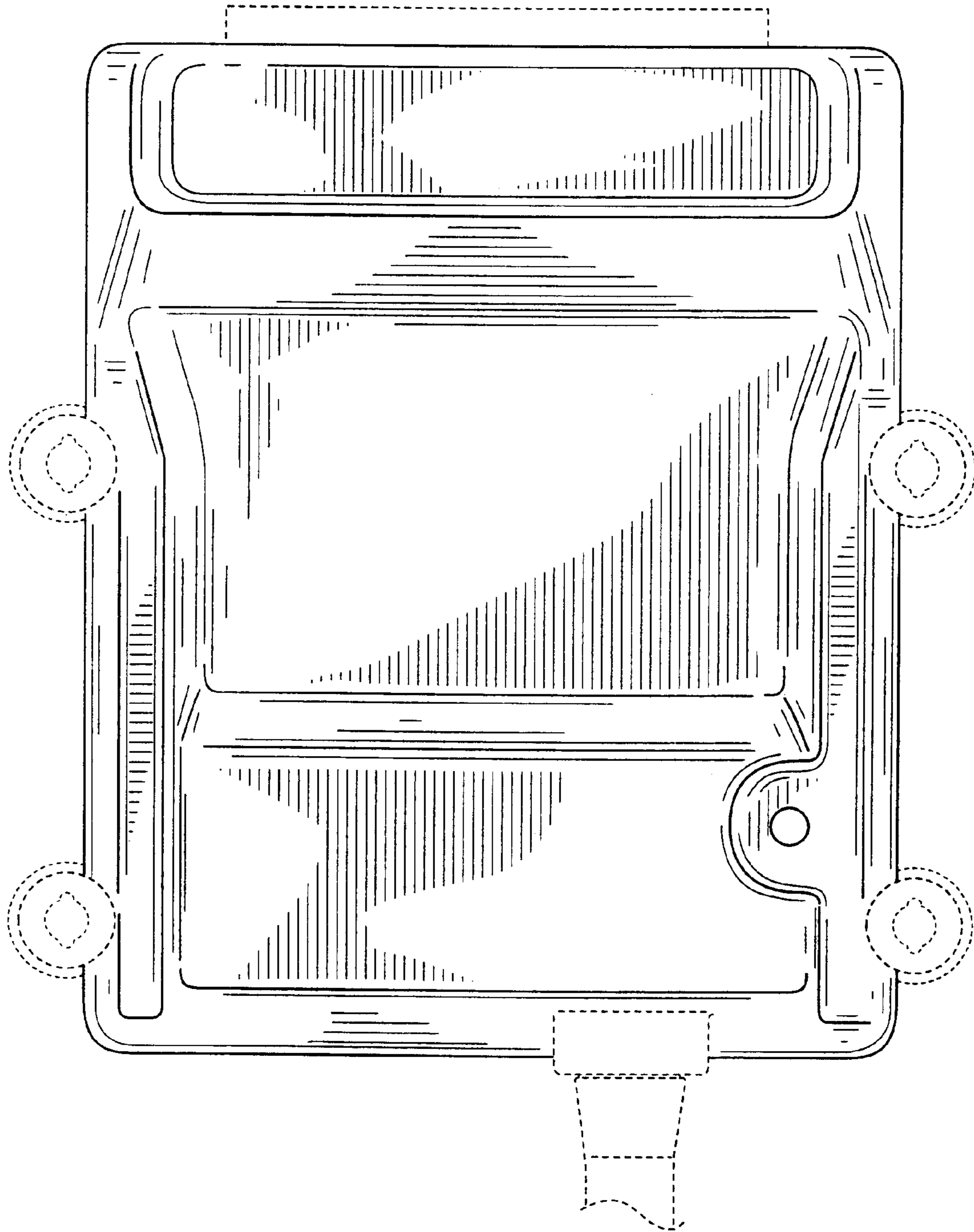


FIG. 2

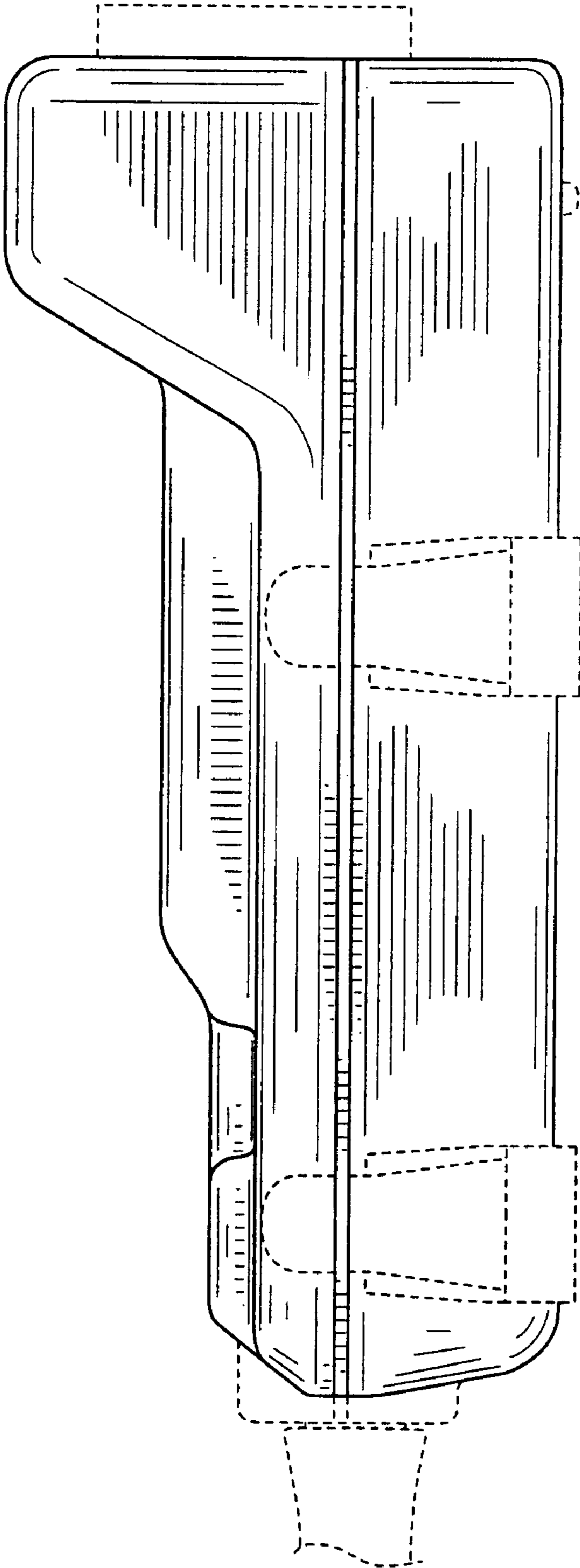


FIG. 3

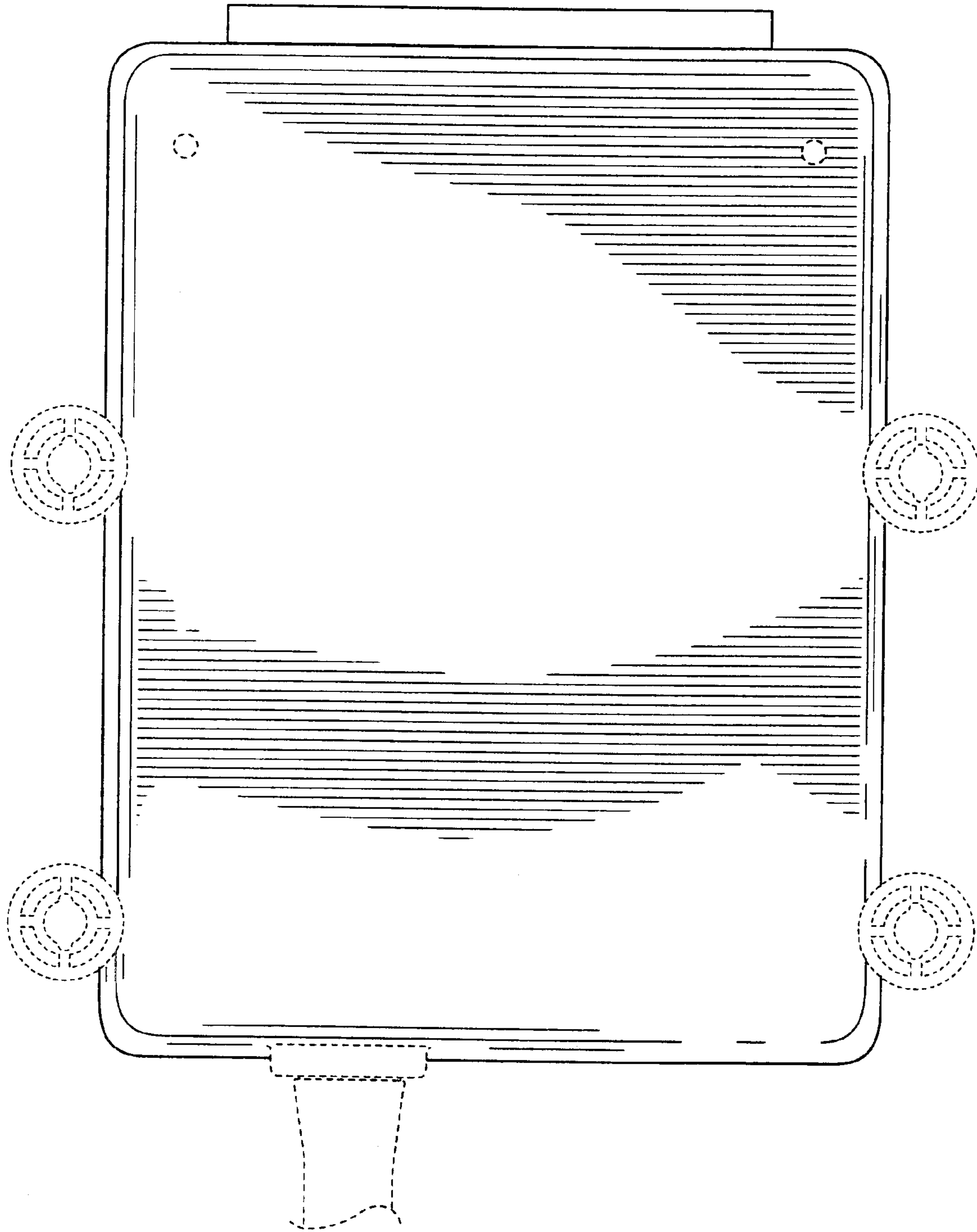


FIG. 4

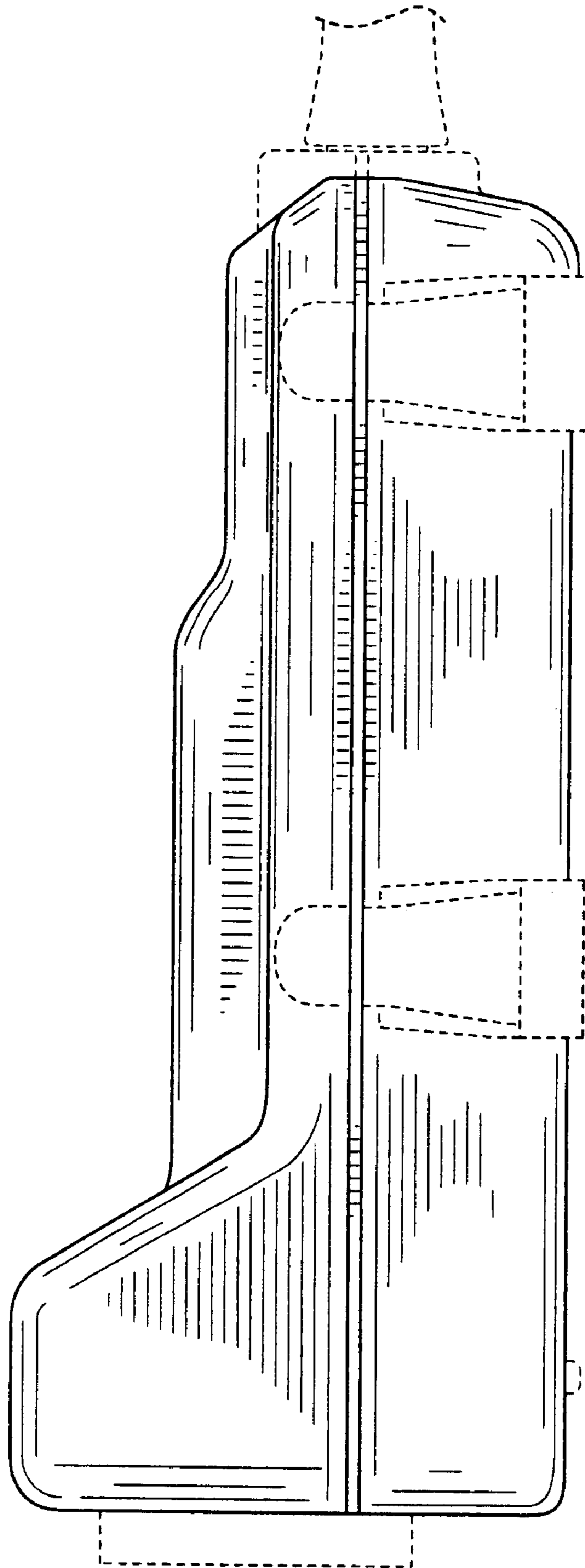


FIG. 5

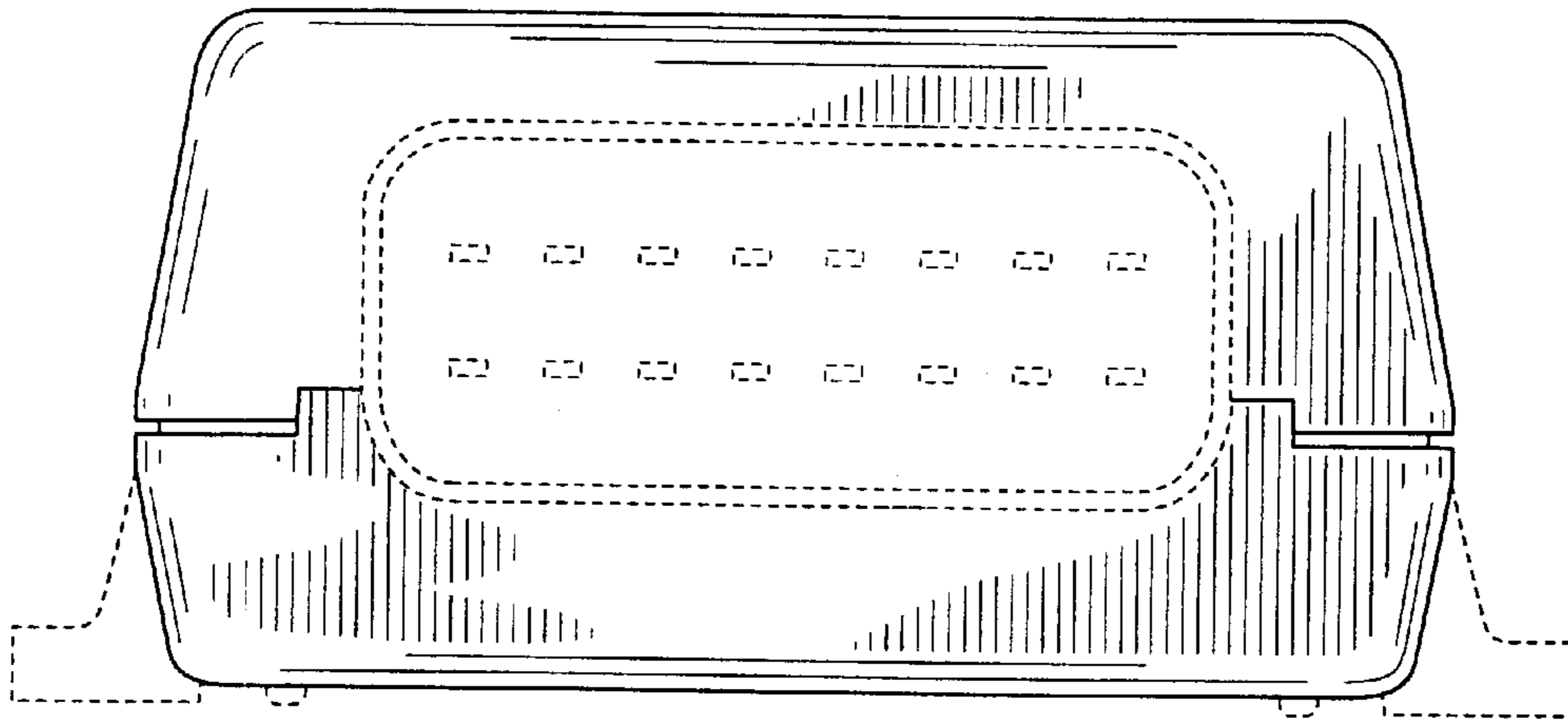


FIG. 6

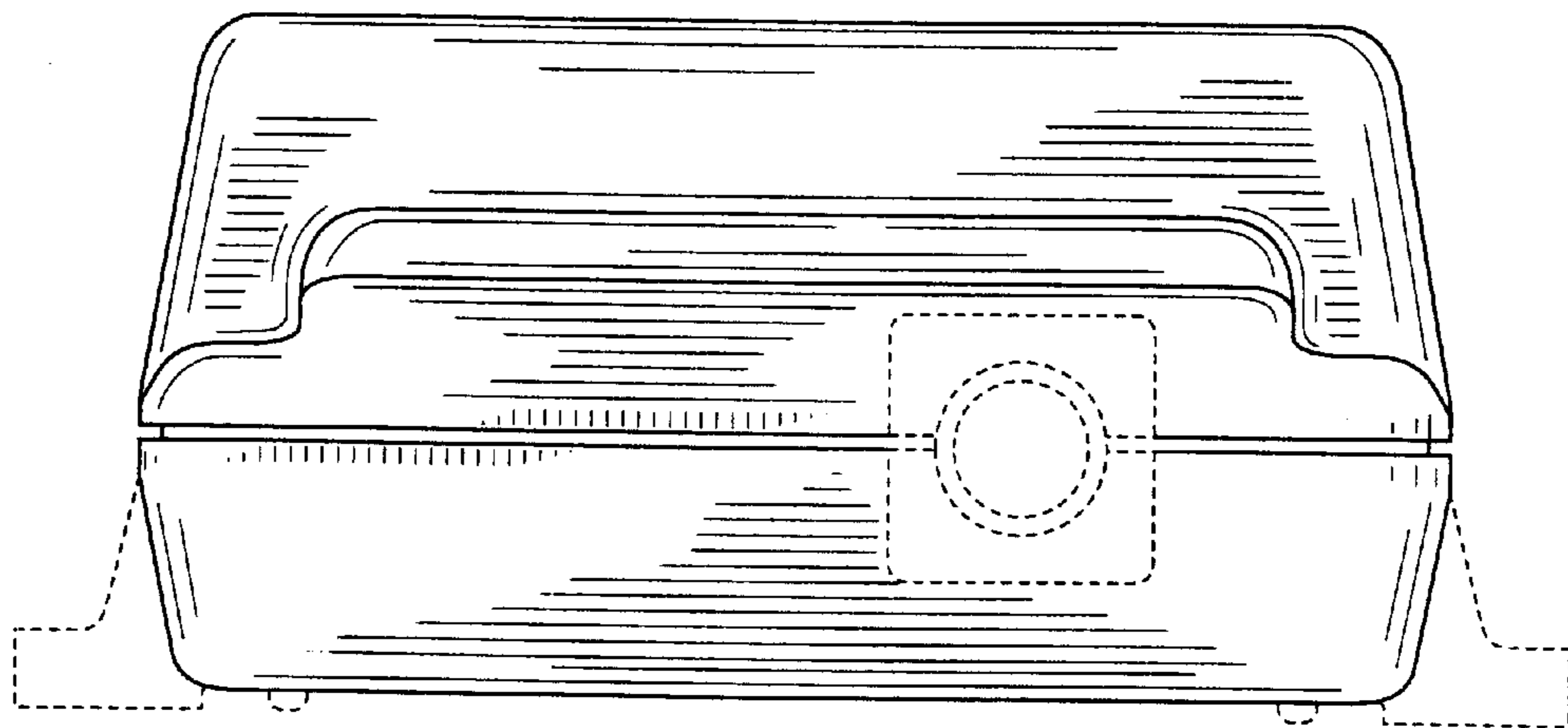


FIG. 7

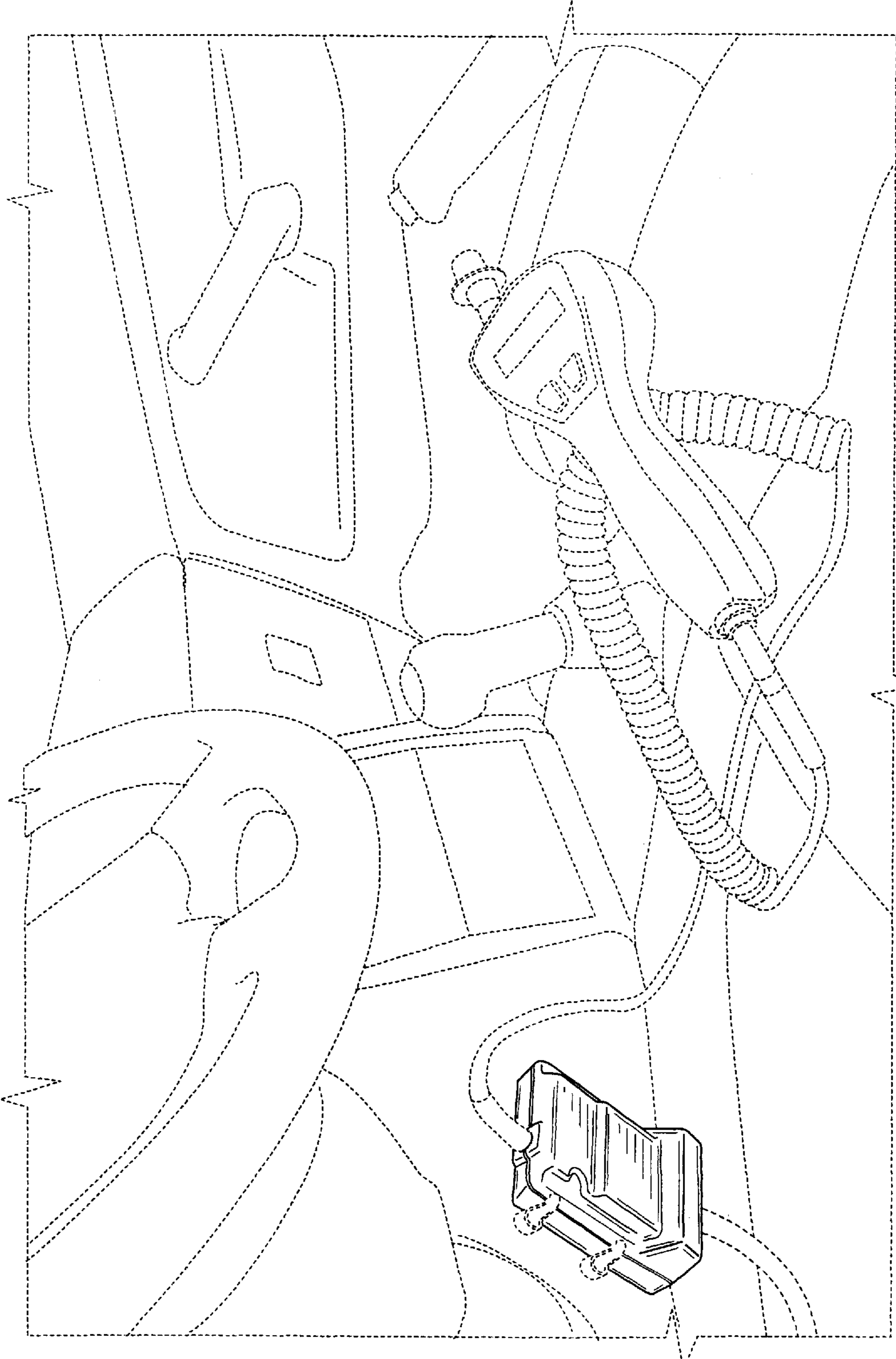


FIG. 8