



US00D540206S

(12) **United States Design Patent**
White

(10) **Patent No.:** **US D540,206 S**

(45) **Date of Patent:** **** Apr. 10, 2007**

(54) **HEIGHT INDICATOR**

(75) Inventor: **Ronald White**, North Prairie, WI (US)

(73) Assignee: **Russell Corporation**, Sussex, WI (US)

(**) Term: **14 Years**

(21) Appl. No.: **29/232,004**

(22) Filed: **Jun. 14, 2005**

(51) **LOC (8) Cl.** **10-04**

(52) **U.S. Cl.** **D10/69**

(58) **Field of Classification Search** D10/65,
D10/69; 33/365-390

See application file for complete search history.

(56) **References Cited**

U.S. PATENT DOCUMENTS

2,598,552	A	*	5/1952	Jansen	33/556
D229,225	S	*	11/1973	Covey	D10/69
RE32,570	E	*	1/1988	Conn	116/215
4,798,087	A	*	1/1989	Takeda et al.	73/649
4,852,266	A	*	8/1989	Whitman et al.	33/366.11
5,001,838	A	*	3/1991	Huxley et al.	33/388
D389,756	S	*	1/1998	Gruetzmacher	D10/65
5,956,855	A	*	9/1999	Foss et al.	33/391

D488,731 S * 4/2004 Barr D10/69

* cited by examiner

Primary Examiner—Antoine D. Davis

Assistant Examiner—Patricia Palasik

(57) **CLAIM**

The ornamental design for a height indicator, as shown and described.

DESCRIPTION

FIG. 1 is a perspective view of a height indicator embodying my design;

FIG. 2 is a front elevational view thereof;

FIG. 3 is a top view thereof;

FIG. 4 is a bottom view thereof;

FIG. 5 is a right side elevational view thereof;

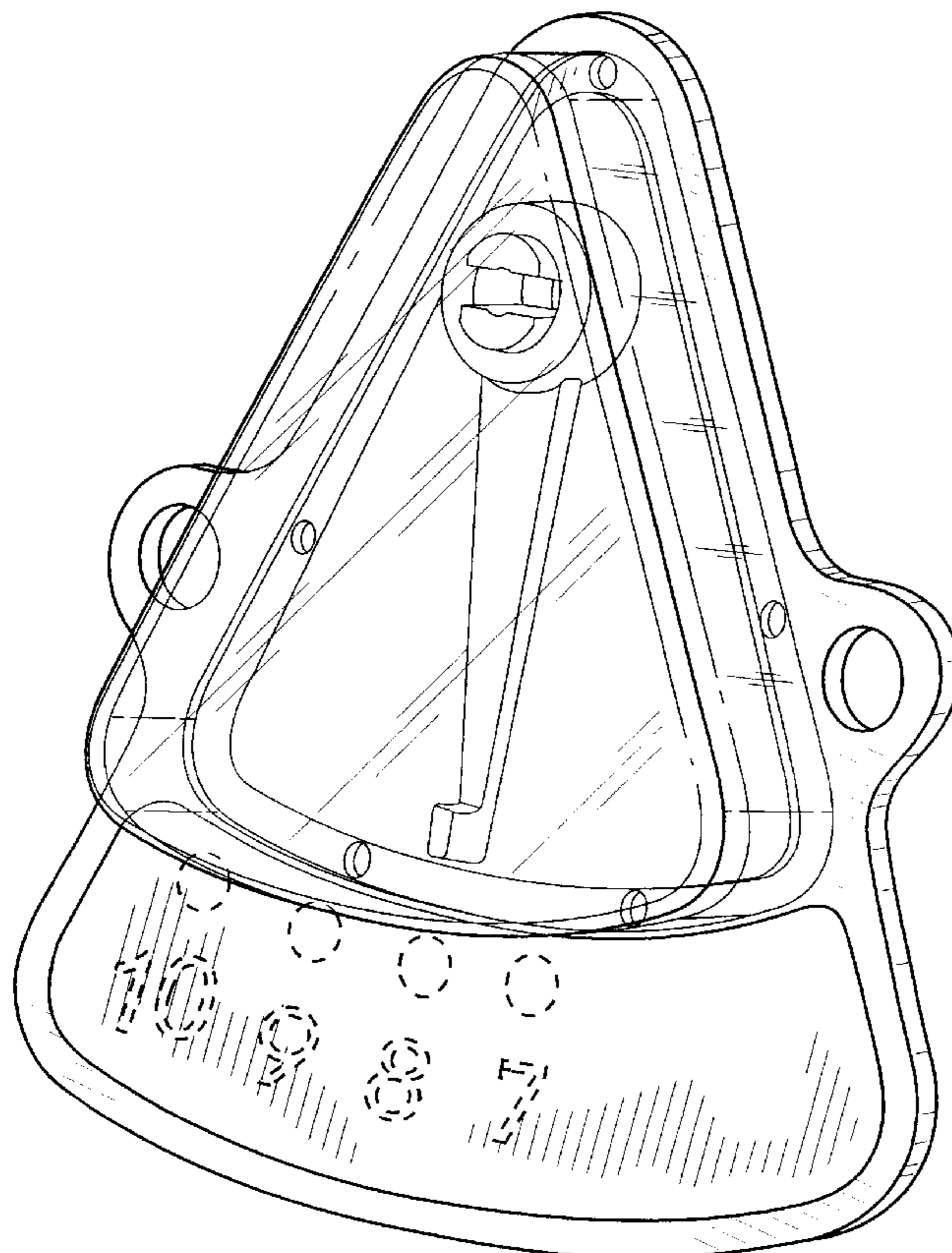
FIG. 6 is a left side elevational view thereof;

FIG. 7 is a side view of the height indicator in FIG. 1 shown on a basketball goal support apparatus; and,

FIG. 8 is another side view of the height indicator in FIG. 1 shown on a portion of a basketball goal support apparatus.

The broken lines shown in the Figures are for illustrative purposes only and form no part of the claimed design.

1 Claim, 6 Drawing Sheets



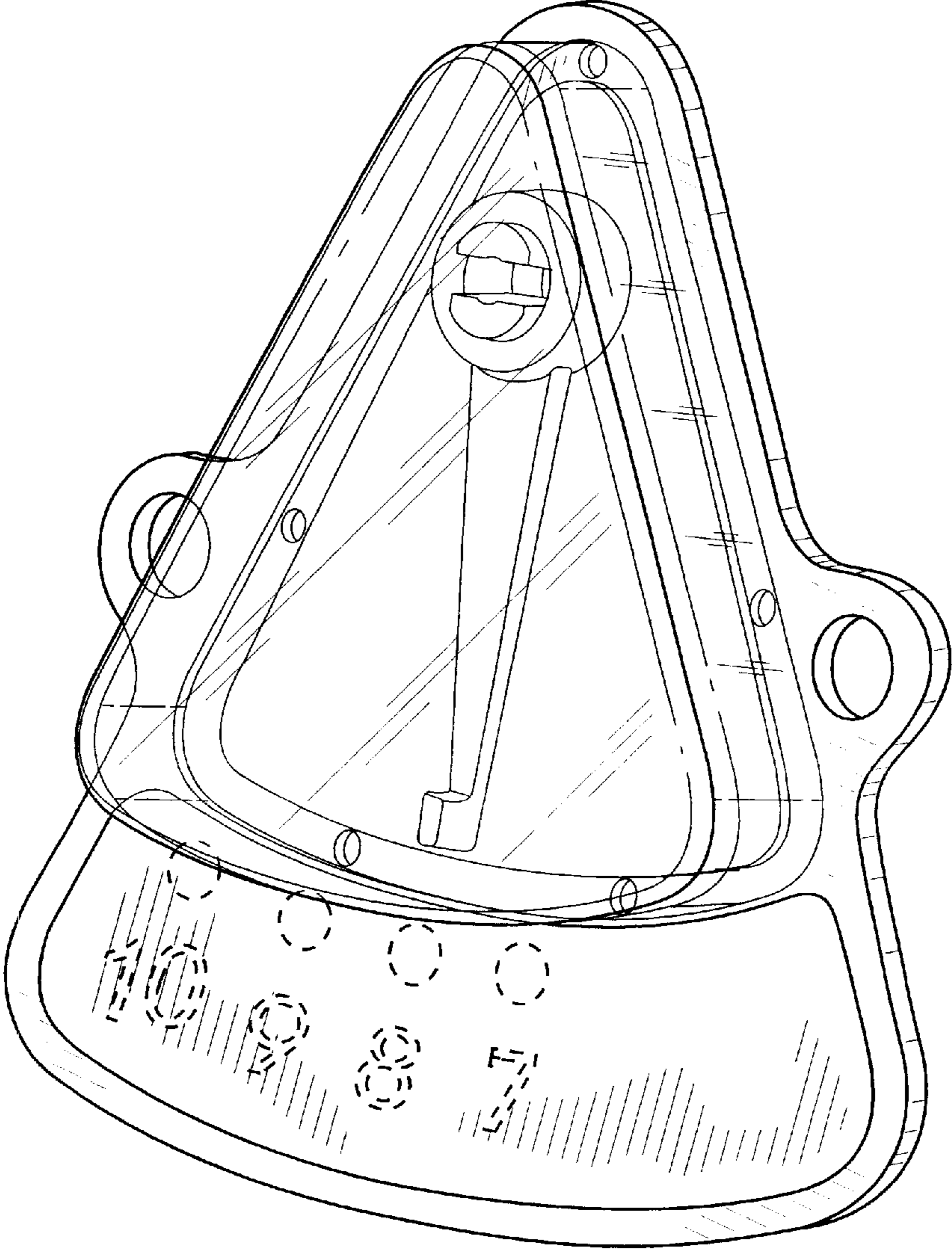


FIG. 1

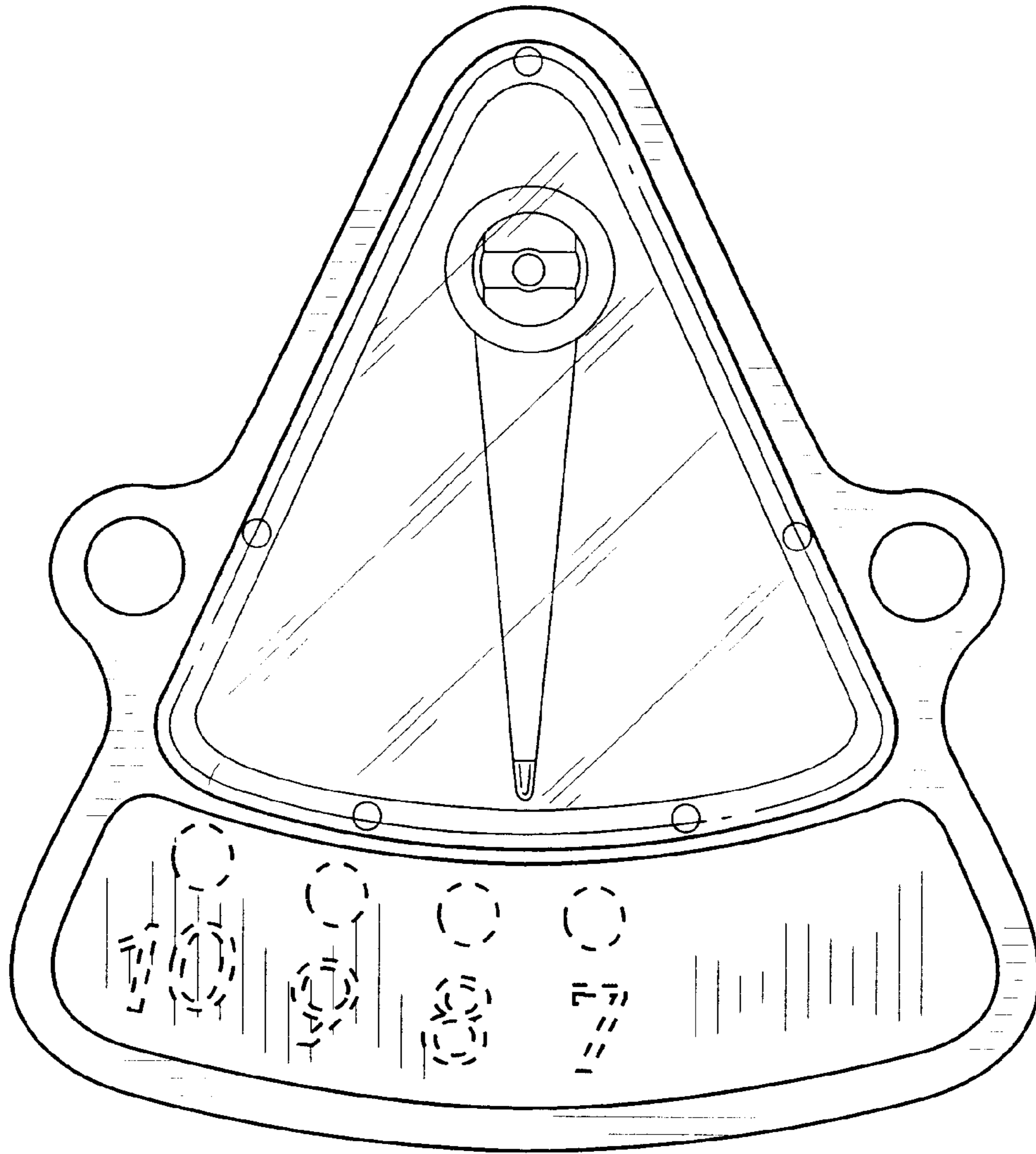


FIG. 2

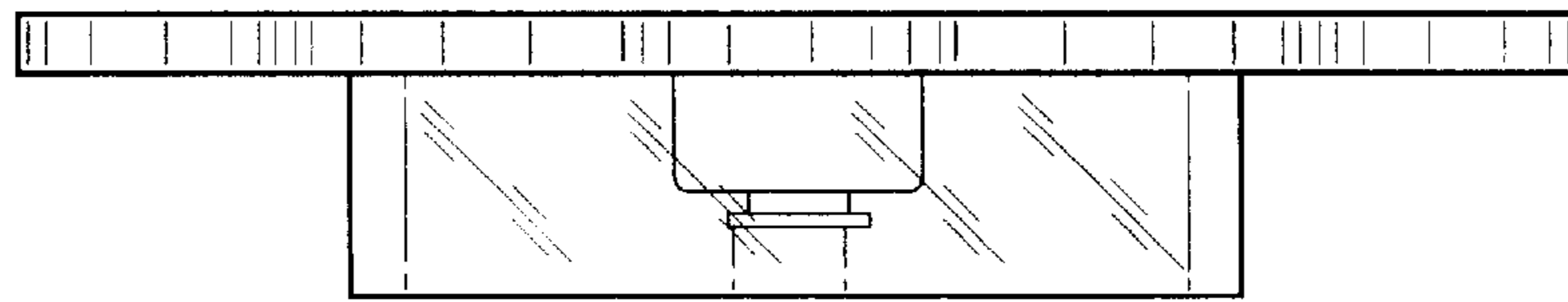


FIG. 3

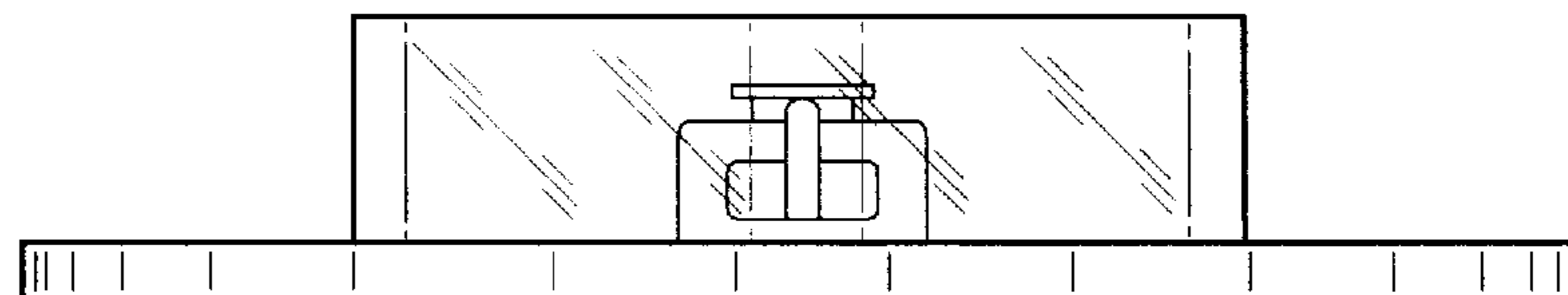


FIG. 4

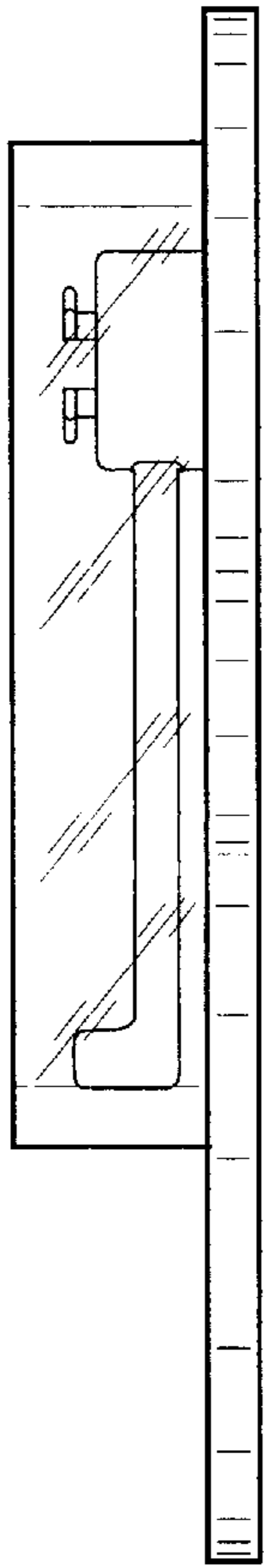


FIG. 5

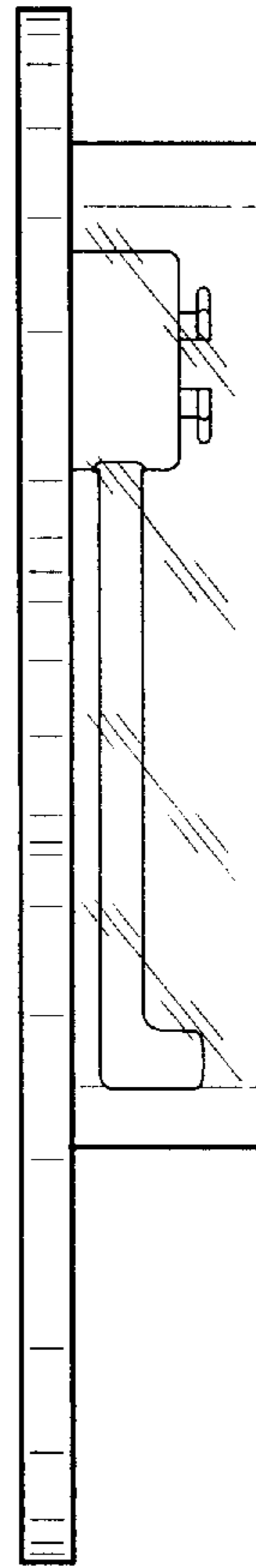


FIG. 6

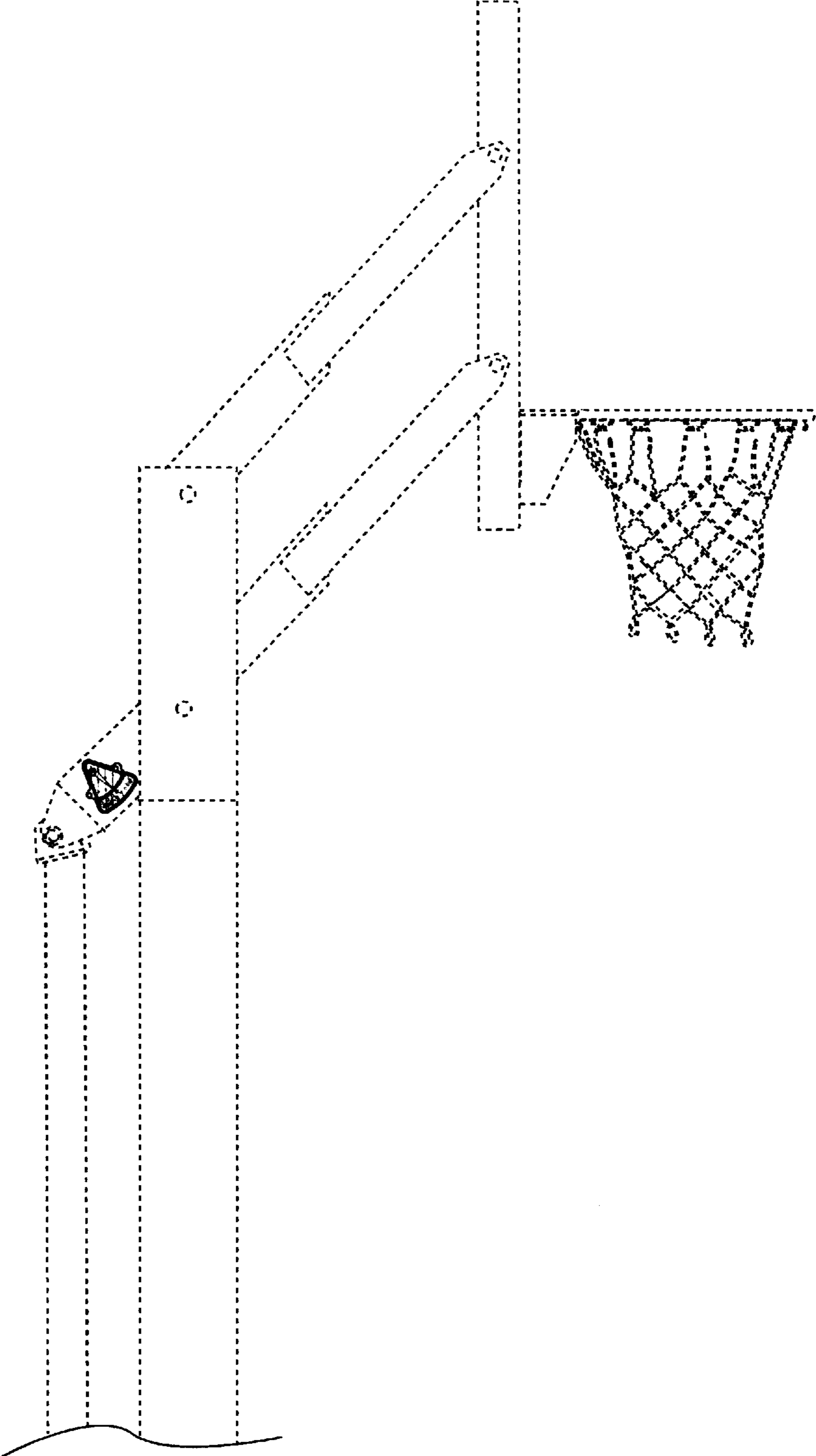


FIG. 7

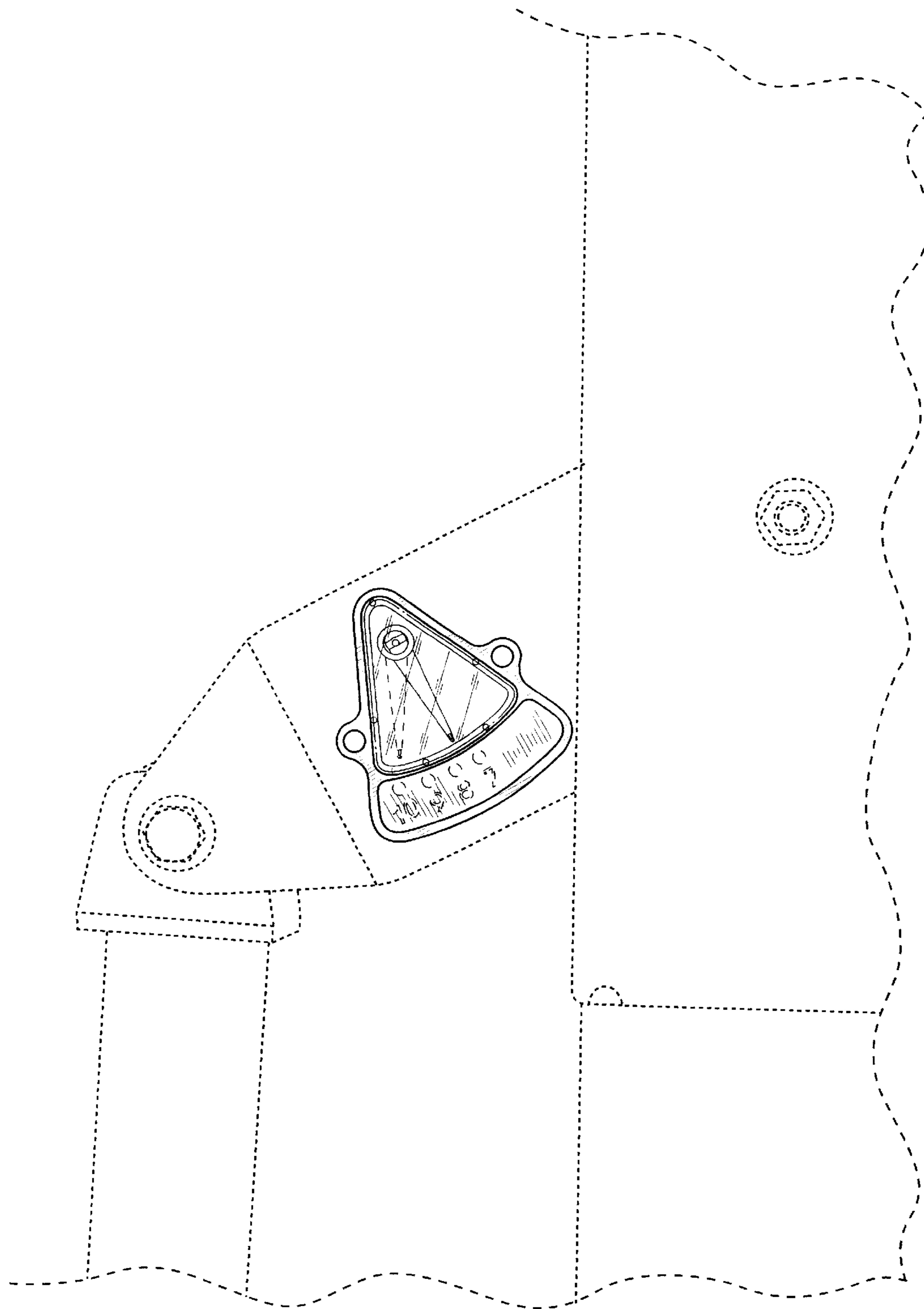


FIG. 8