

US00D540205S

(12) **United States Design Patent**  
**Hsu**

(10) **Patent No.:** **US D540,205 S**

(45) **Date of Patent:** **\*\* Apr. 10, 2007**

(54) **GPS (GLOBAL POSITIONING SYSTEM) RECEIVER**

D514,459 S \* 2/2006 Silzer et al. .... D10/65  
D523,765 S \* 6/2006 Wu ..... D10/65

(75) Inventor: **Ming-Cheng Hsu**, Taipei (TW)

\* cited by examiner

(73) Assignee: **Lite-On Technology Corporation**,  
Taipei (TW)

*Primary Examiner*—Antoine D. Davis

(74) *Attorney, Agent, or Firm*—Birch, Stewart, Kolasch &  
Birch, LLP

(\*\*) Term: **14 Years**

(57) **CLAIM**

(21) Appl. No.: **29/259,606**

The ornamental design for a “GPS (global positioning system) receiver,” as shown and described.

(22) Filed: **May 12, 2006**

**DESCRIPTION**

(51) **LOC (8) Cl.** ..... **10-04**

(52) **U.S. Cl.** ..... **D10/65**

(58) **Field of Classification Search** ..... D10/65,  
D10/80; D14/347; 342/351, 419, 457, 357.06–357.13;  
343/702; 345/87, 104, 133, 156, 168, 173,  
345/901–905; 348/180, 184, 315, 739; 364/444,  
364/499; 701/206–209, 213, 214  
See application file for complete search history.

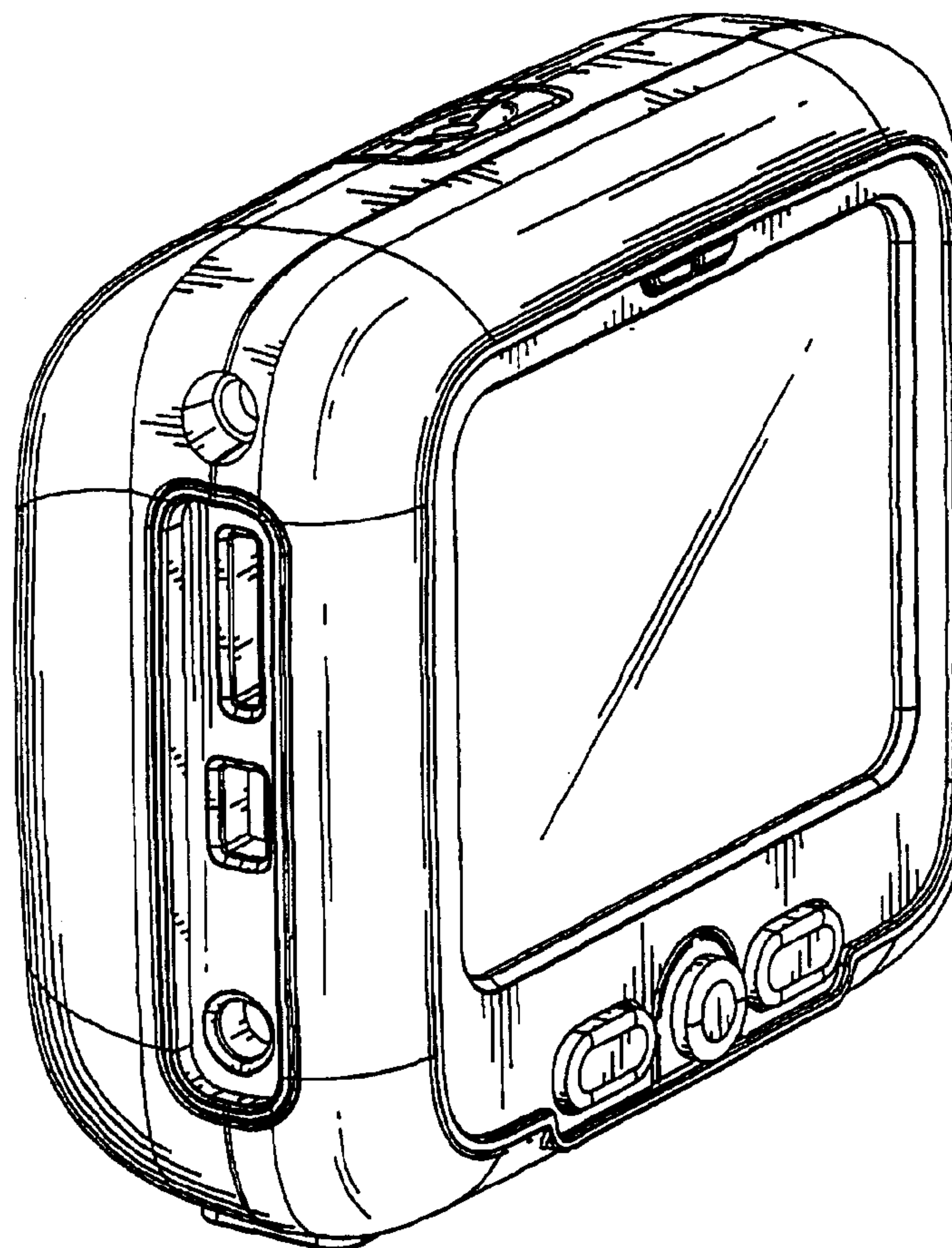
FIG. 1 is a perspective view of a “GPS (global positioning system) receiver” showing my new design;  
FIG. 2 is a front view thereof;  
FIG. 3 is a rear view thereof;  
FIG. 4 is a left side view thereof;  
FIG. 5 is a right side view thereof;  
FIG. 6 is a top view thereof;  
FIG. 7 is a bottom view thereof; and,  
FIG. 8 is a perspective view viewed from another visual angle.

(56) **References Cited**

**U.S. PATENT DOCUMENTS**

D397,046 S \* 8/1998 Oshizawa ..... D10/65

**1 Claim, 5 Drawing Sheets**



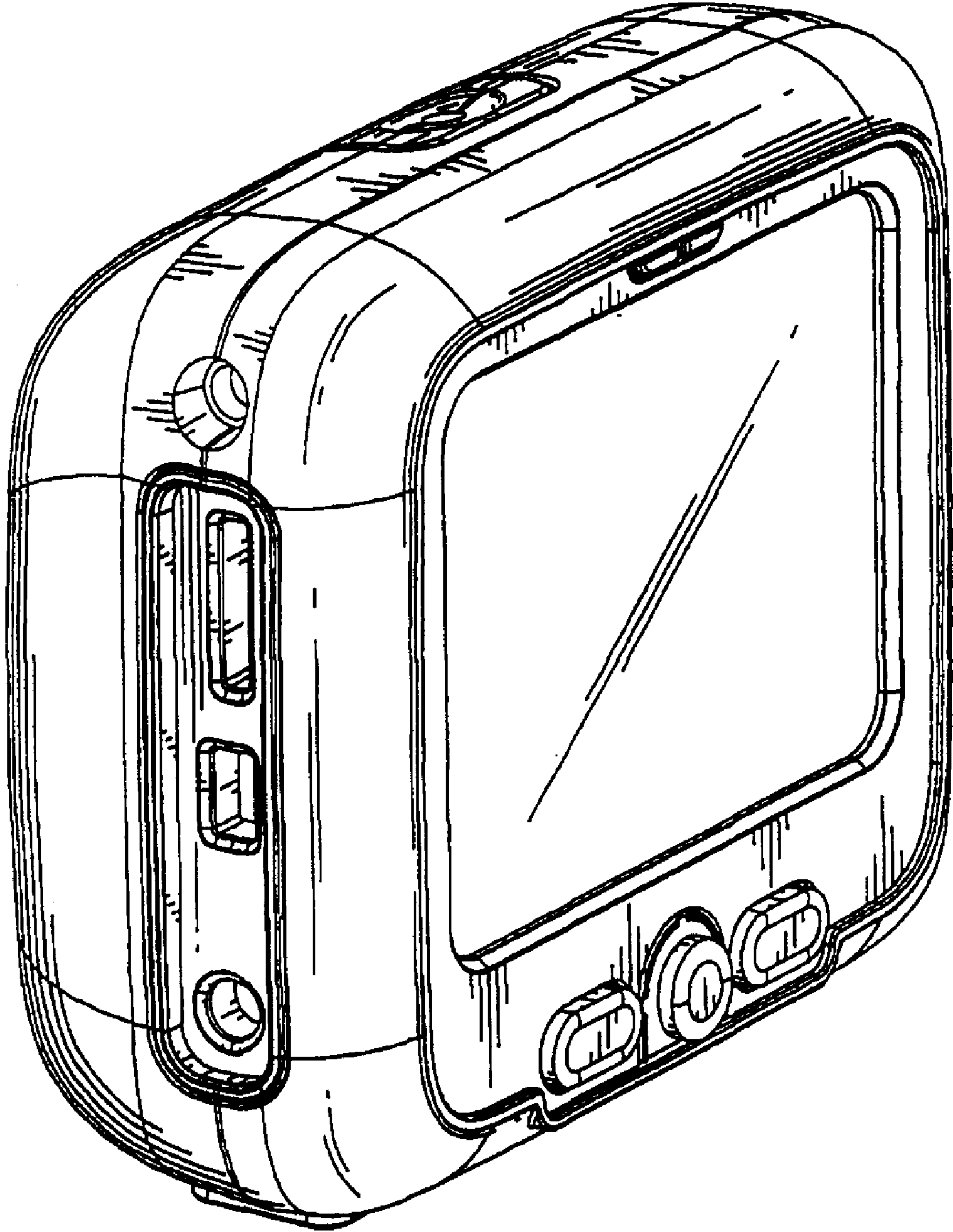


FIG. 1

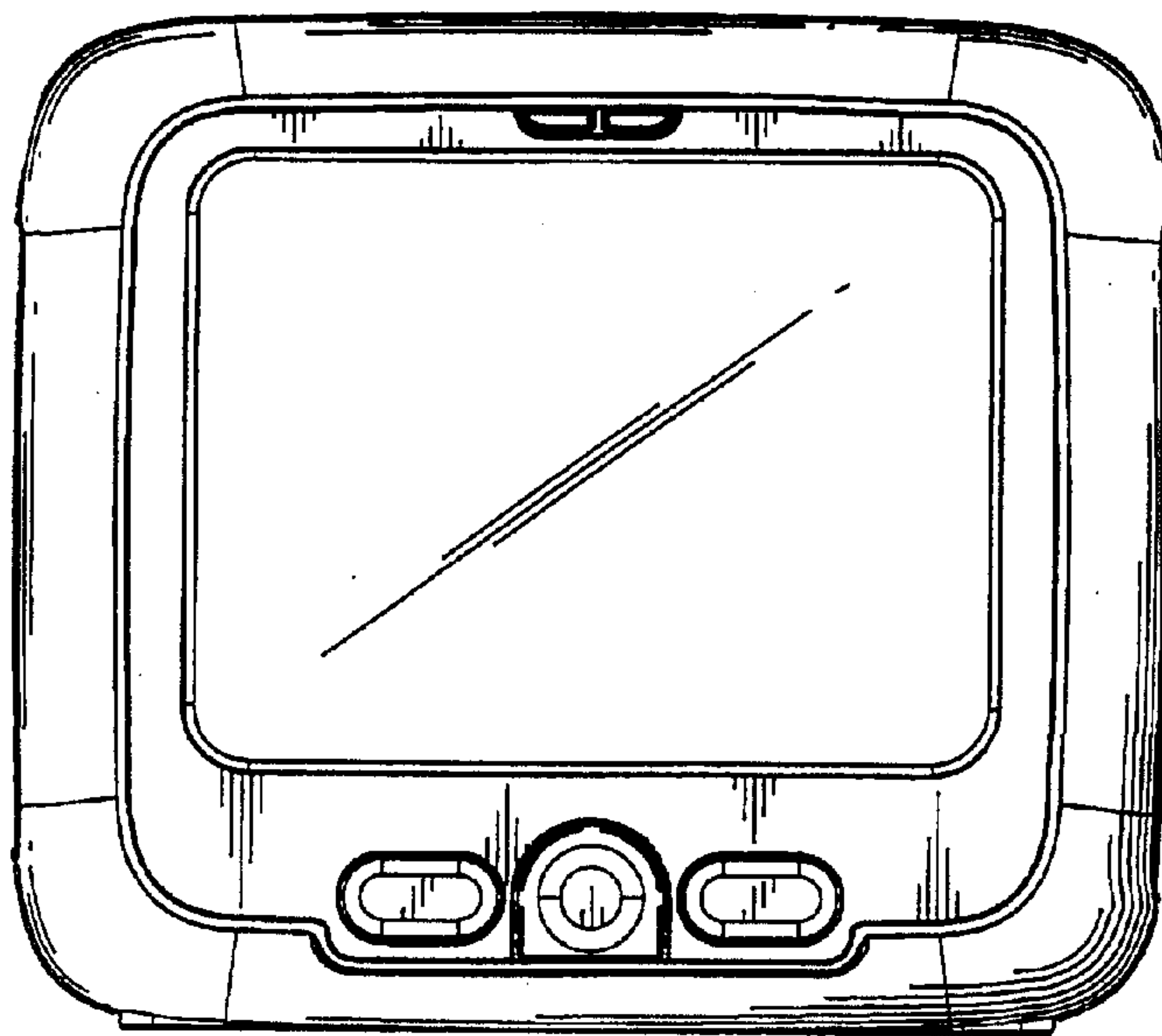


FIG. 2

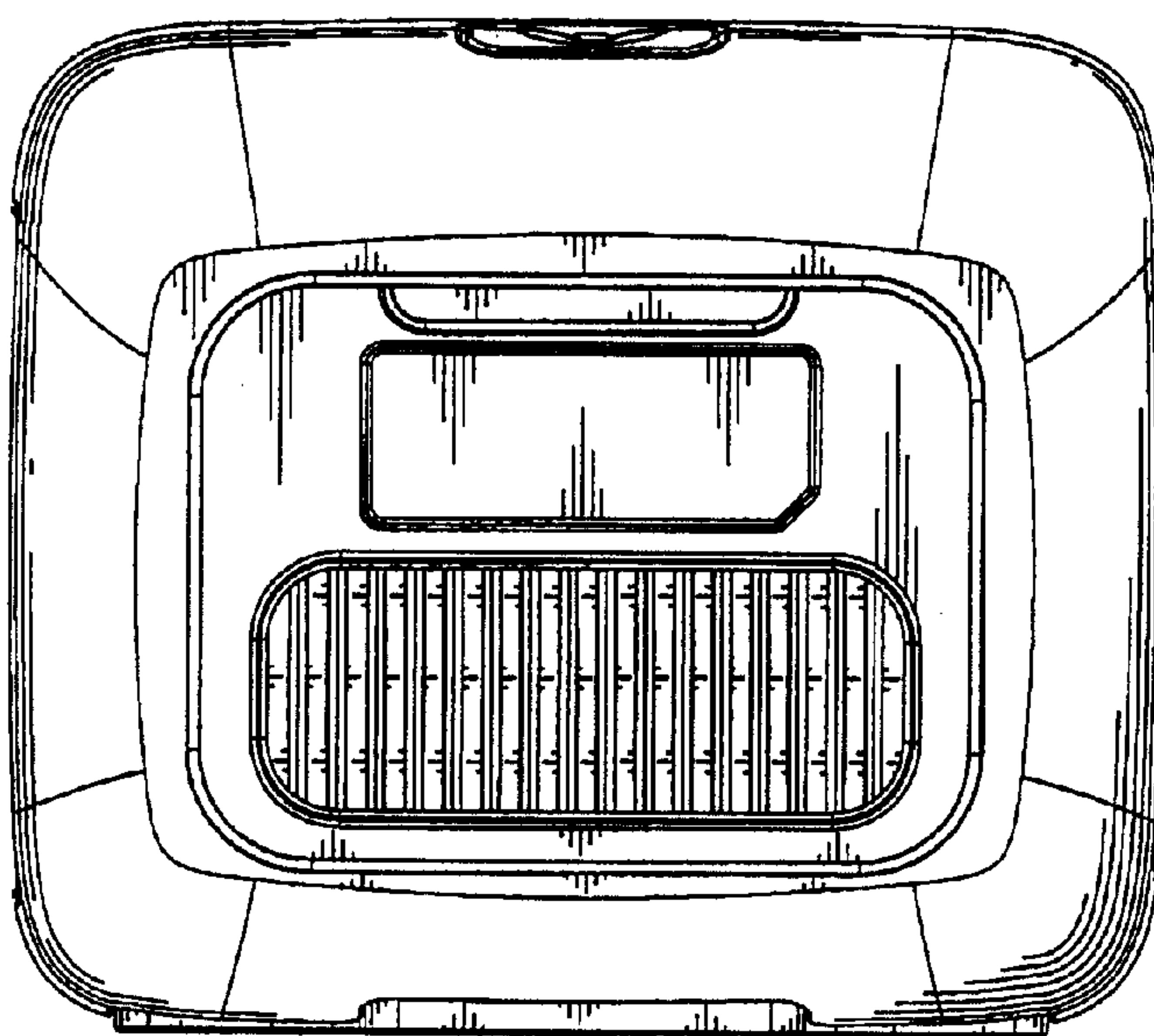


FIG. 3

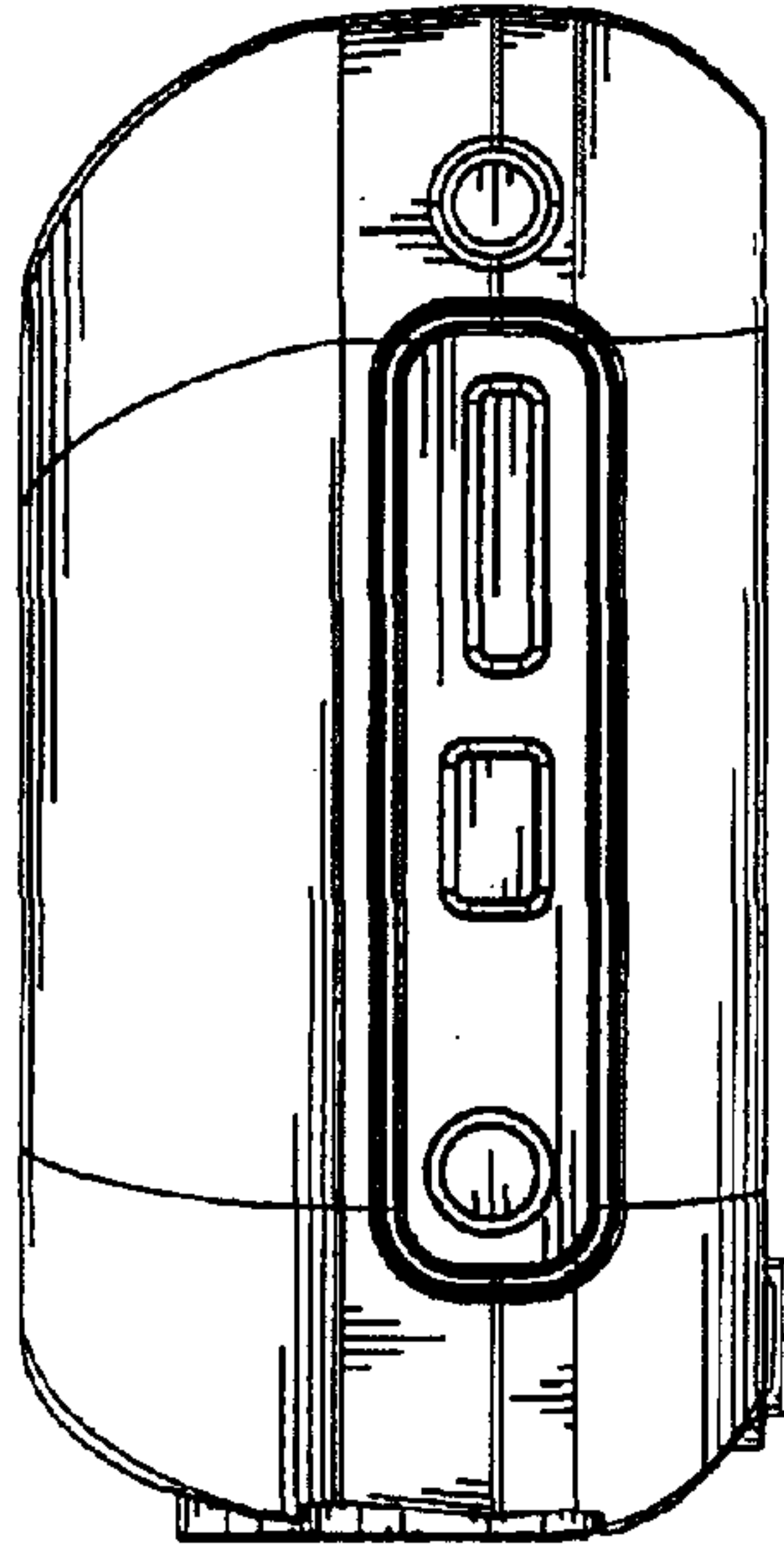


FIG. 4

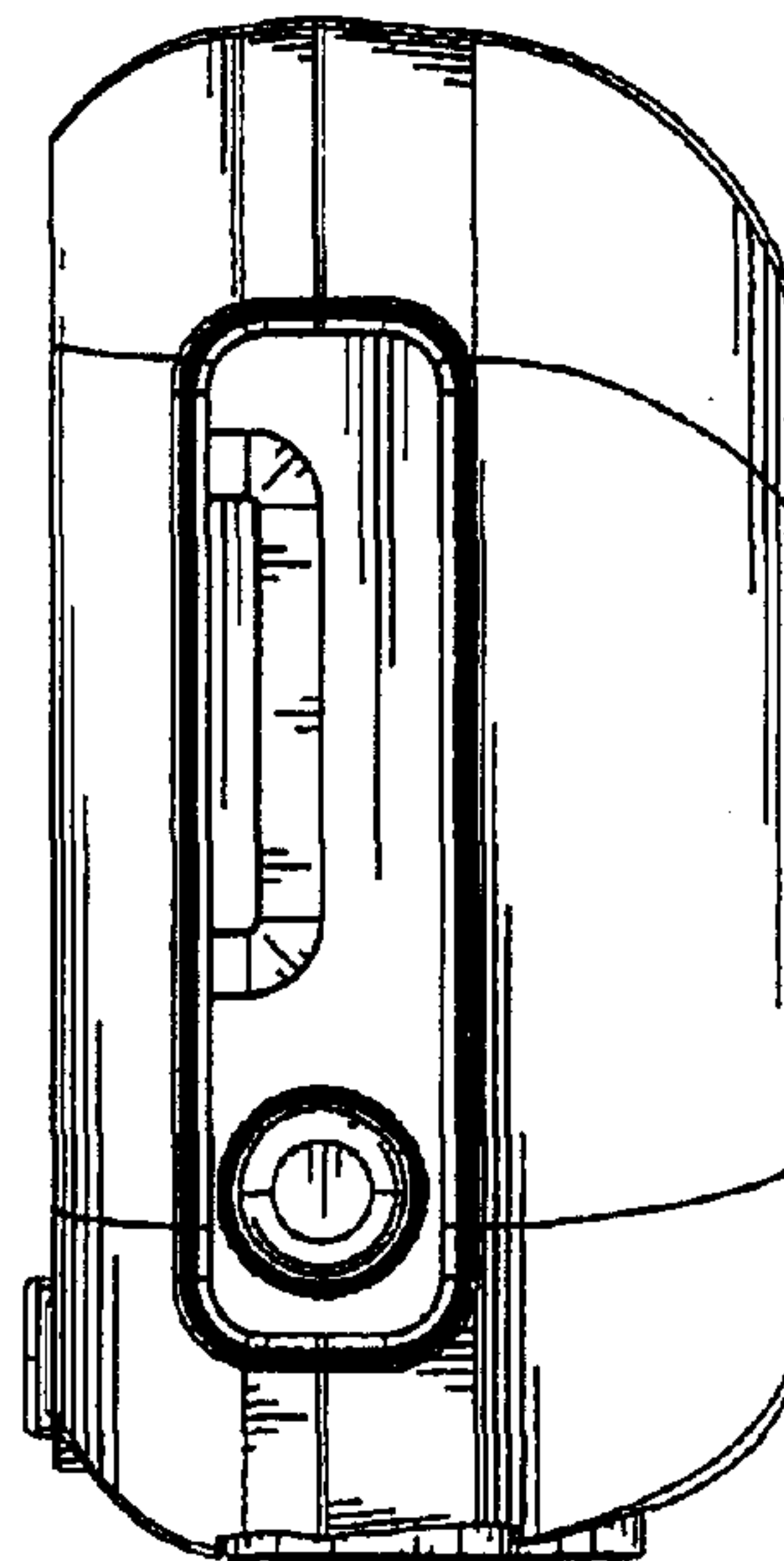


FIG. 5

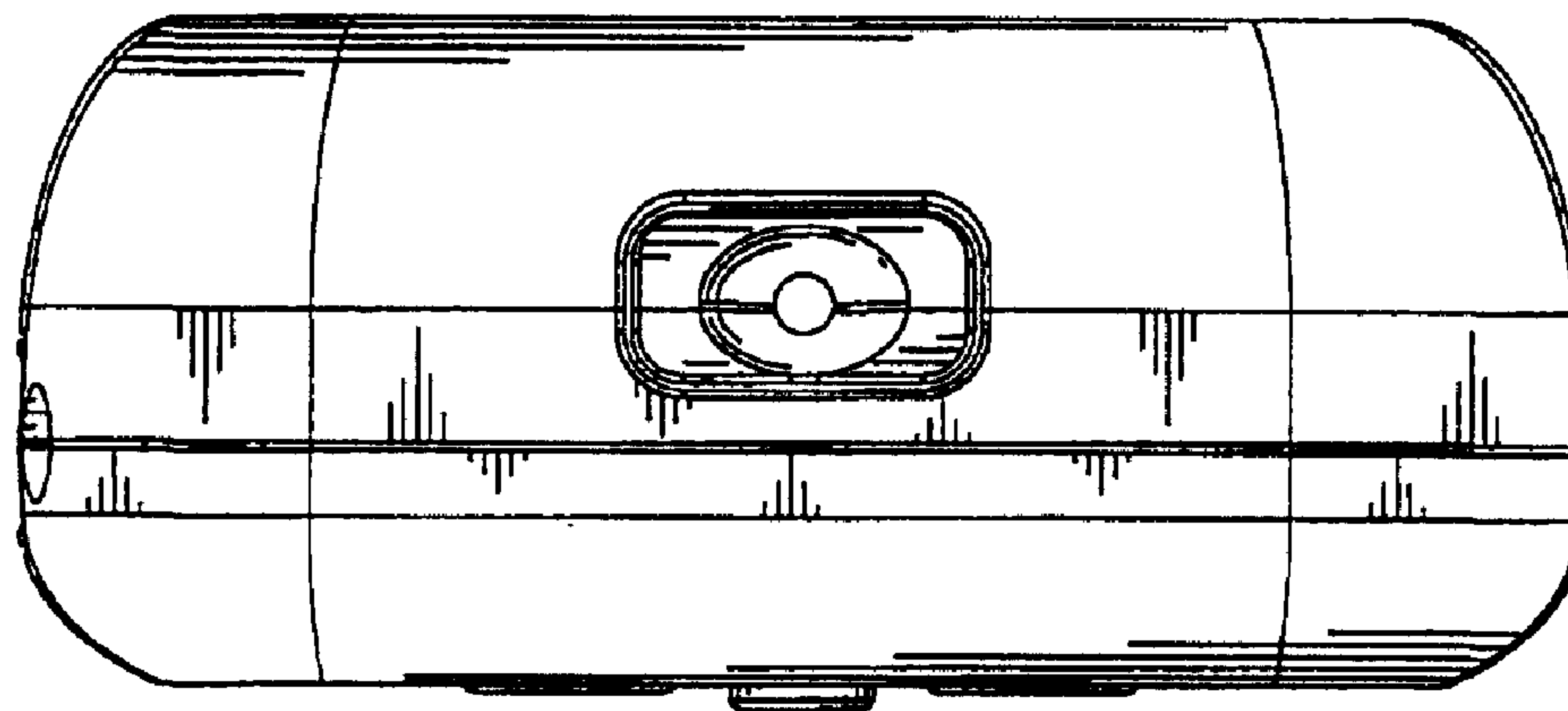


FIG. 6

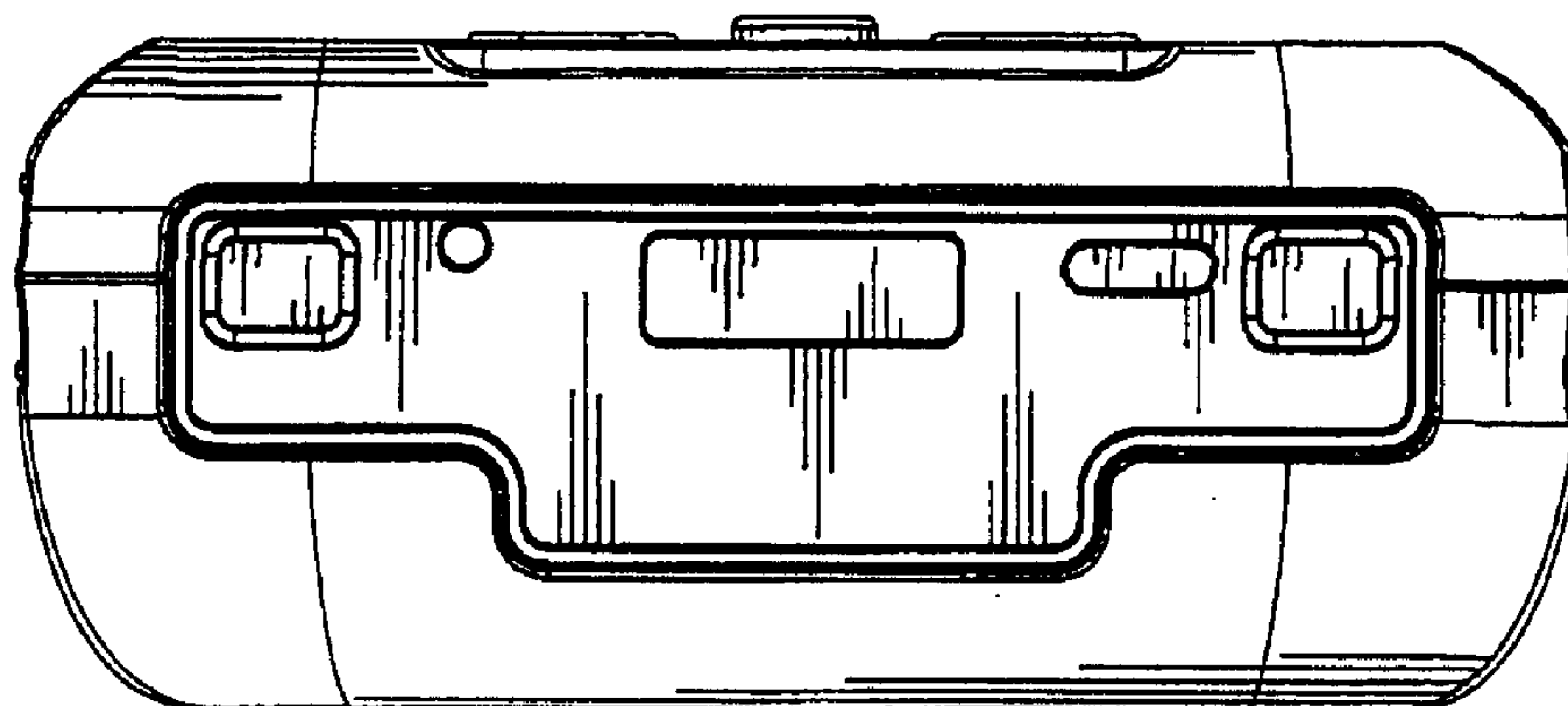


FIG. 7



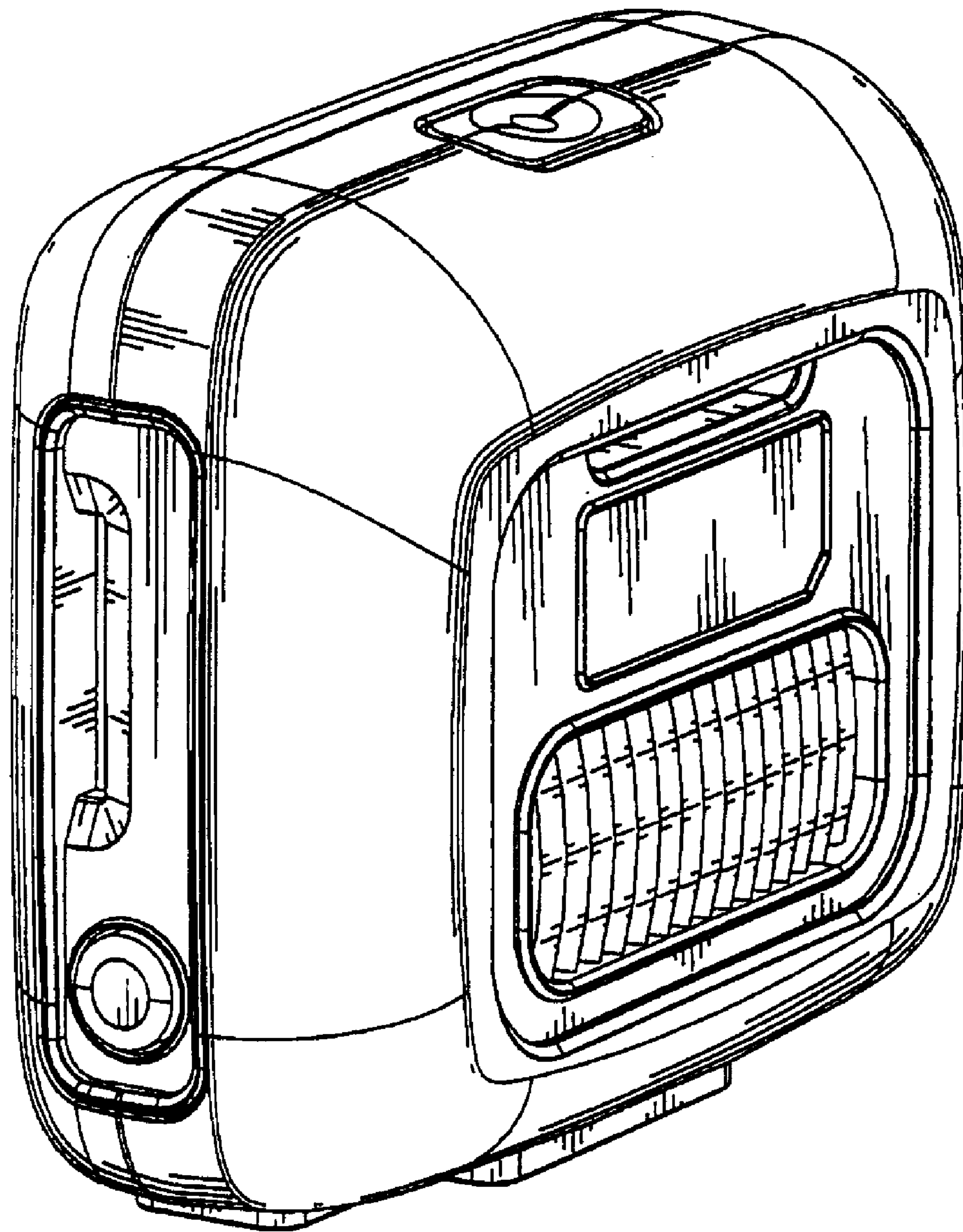


FIG. 8