



US00D540202S

(12) **United States Design Patent**  
**Welch**

(10) **Patent No.:** **US D540,202 S**

(45) **Date of Patent:** **\*\* \*Apr. 10, 2007**

(54) **TREE MULCHING TEMPLATE**

(76) **Inventor:** **Dwayne E. Welch**, 3445 Rock Bridge Dr., Conover, NC (US) 28613

(\*) **Notice:** This patent is subject to a terminal disclaimer.

(\*\*) **Term:** **14 Years**

(21) **Appl. No.:** **29/206,884**

(22) **Filed:** **Jun. 4, 2004**

(51) **LOC (8) Cl.** ..... **10-04**

(52) **U.S. Cl.** ..... **D10/64**

(58) **Field of Classification Search** ..... D10/64;  
33/1 SP, 27.03, 563, 555.1; 47/33, 86, 9,  
47/32, 902

See application file for complete search history.

(56) **References Cited**

**U.S. PATENT DOCUMENTS**

1,319,769	A	*	10/1919	Hammond	.....	47/32
2,637,110	A	*	5/1953	Gilbertson	.....	D10/64
4,972,628	A	*	11/1990	Smith	.....	47/86
5,058,317	A	*	10/1991	McMurtrey	.....	47/31.1
5,063,708	A	*	11/1991	Smith	.....	47/33
5,367,822	A	*	11/1994	Beckham	.....	47/32
5,396,731	A	*	3/1995	Byrne	.....	47/32
5,522,176	A	*	6/1996	Suttle	.....	47/32
D449,338	S	*	10/2001	Lariviere et al.	.....	D19/39
6,321,457	B1	*	11/2001	Lariviere et al.	.....	33/562
6,640,490	B1	*	11/2003	Boehringer	.....	47/9

\* cited by examiner

*Primary Examiner*—Antoine D. Davis

(74) *Attorney, Agent, or Firm*—Dougherty/Clements

(57) **CLAIM**

The ornamental design for a tree mulching template, as shown and described.

**DESCRIPTION**

FIG. 1 is a side view of the tree mulching template, showing my new design;

FIG. 2 is a facial view of the tree mulching template with a first spacing marked thereon, and having a first outer diameter;

FIG. 3 is a side view of the tree mulching template;

FIG. 4 is a facial view of the tree mulching template with a second spacing marked thereon, and having a second outer diameter;

FIG. 5 is a side view of the tree mulching template;

FIG. 6 is a facial view of the tree mulching template with a third spacing marked thereon, and having a third outer diameter;

FIG. 7 is a side view of the tree mulching template;

FIG. 8 is a facial view of the tree mulching template with a fourth spacing marked thereon, and having a fourth outer diameter;

FIG. 9 is a side view of the tree mulching template;

FIG. 10 is a facial view of the tree mulching template with a fifth spacing marked thereon, and having a fifth outer diameter;

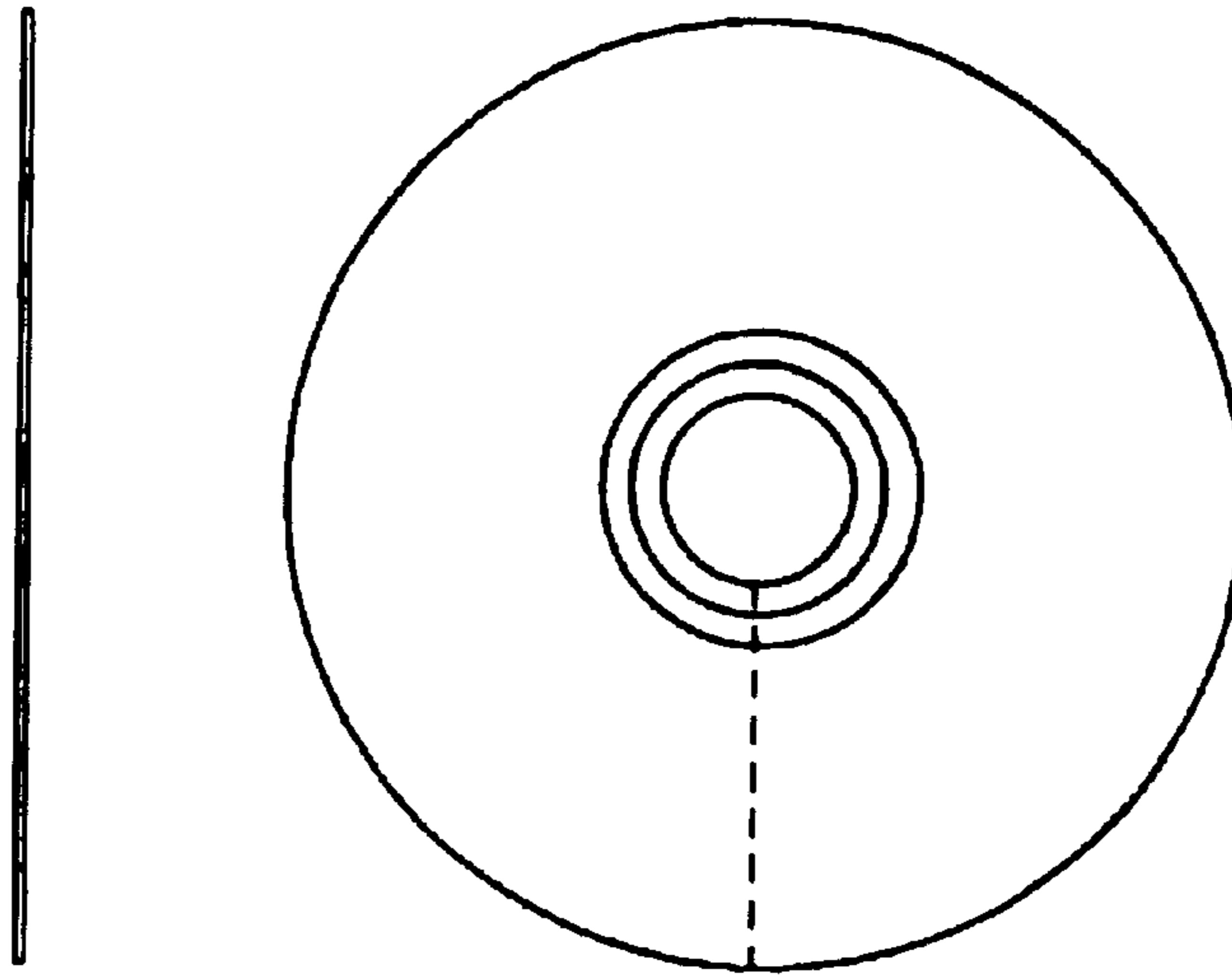
FIG. 11 is a side view of the tree mulching template of; and, FIG. 12 is a facial view of the tree mulching template with a sixth spacing marked thereon, and having a sixth outer diameter.

Material shown in dotted lines shows a radial cut-line from the outer edge of the tree mulching template to the various edges of the inner cutouts. Inner circles shown predefined cut outs that are removable to accommodate different sizes of trees.

**1 Claim, 3 Drawing Sheets**



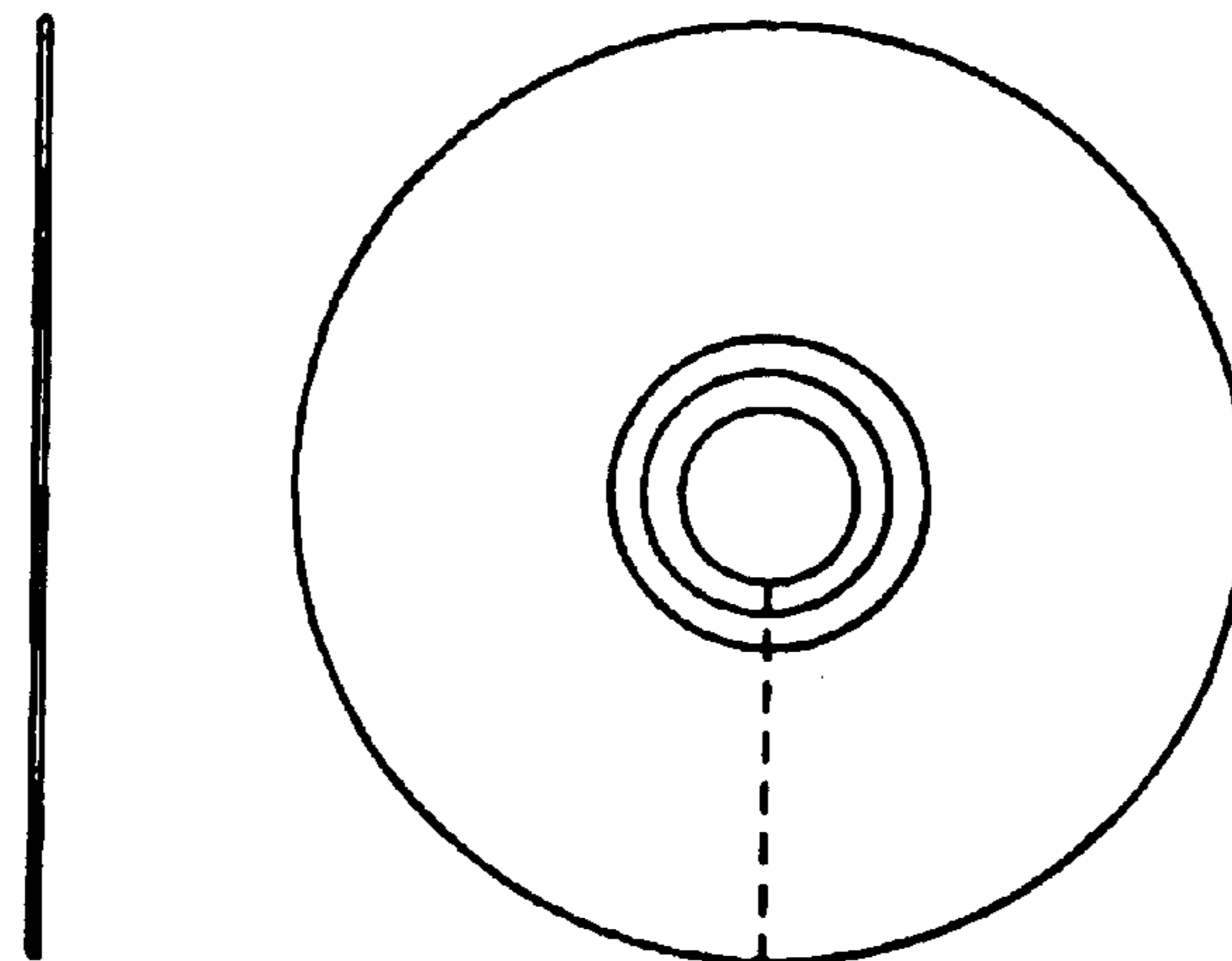
60" dia.



*Fig.1*

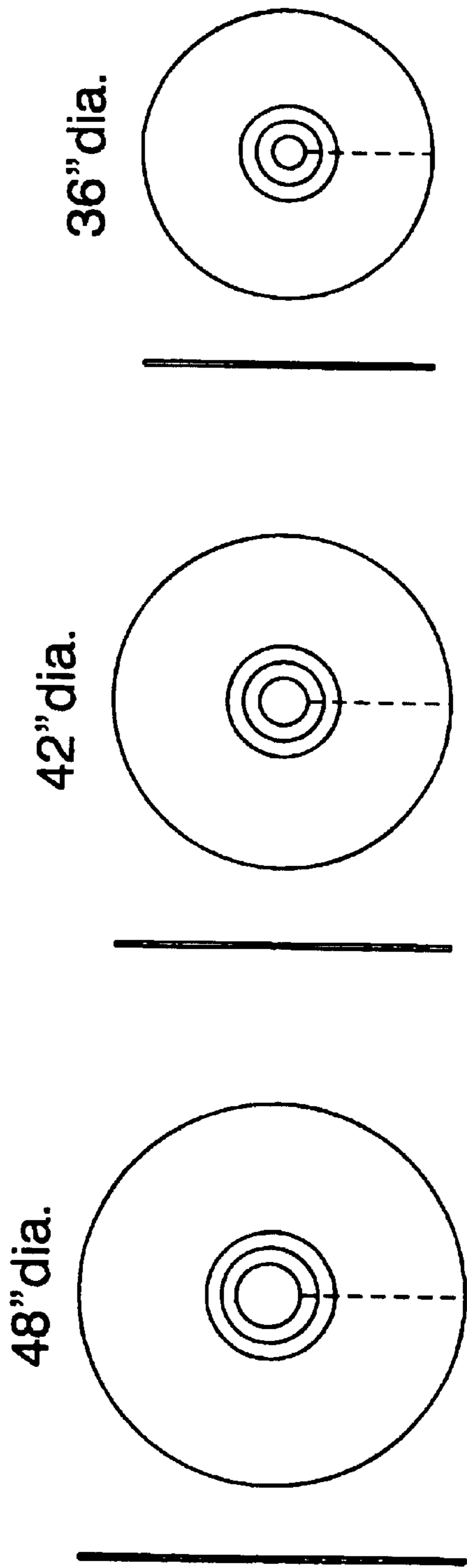
*Fig.2*

54" dia.



*Fig.3*

*Fig.4*



*Fig.5 Fig.6 Fig.7 Fig.8 Fig.9 Fig.10*

*Fig. 11*



*Fig. 12*

48" dia.

