



US00D540201S

(12) **United States Design Patent**
Jackson et al.

(10) **Patent No.:** **US D540,201 S**

(45) **Date of Patent:** **** Apr. 10, 2007**

(54) **SCORE KEEPER**

(75) Inventors: **Michael W. Jackson**, Wooster, OH
(US); **Frank H. Copen**, Shreve, OH
(US); **Stephen P. Casteel**, Canal Fulton,
OH (US)

(73) Assignee: **Parallel Design, Inc.**

(**) Term: **14 Years**

(21) Appl. No.: **29/253,972**

(22) Filed: **Feb. 16, 2006**

(51) **LOC (8) Cl.** **21-01**

(52) **U.S. Cl.** **D10/46.1**

(58) **Field of Classification Search** D10/46.1,
D10/46; 116/222-225; 235/90, 1 B, 1 R,
235/117 R, 117 A

See application file for complete search history.

(56) **References Cited**

U.S. PATENT DOCUMENTS

2,131,132 A * 9/1938 Alderman 273/148 R
2,482,663 A * 9/1949 Fetter 235/117 R

2,494,330 A * 1/1950 Clarke 235/117 A
D281,797 S * 12/1985 Tong D21/561
D332,056 S * 12/1992 Oakes D10/46.1
D350,292 S * 9/1994 Taylor et al. D10/46.1
5,405,153 A * 4/1995 Hauck 273/460
D418,879 S * 1/2000 Hornsby et al. D21/329
6,719,290 B1 * 4/2004 Kershner 273/272

* cited by examiner

Primary Examiner—Prabhakar Deshmukh

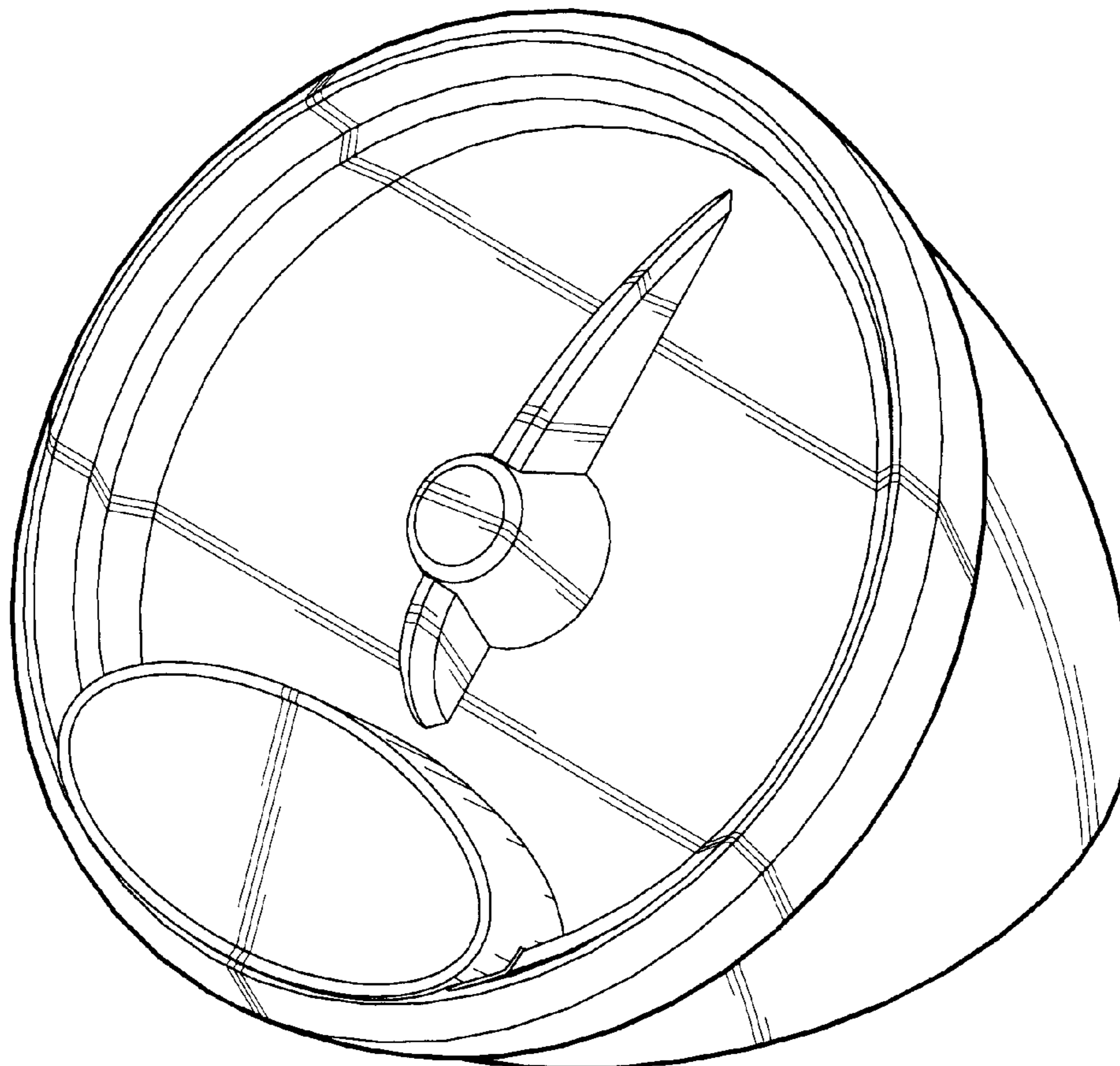
(57) **CLAIM**

The ornamental design for score keeper, as shown and described.

DESCRIPTION

FIG. 1 is a right perspective view of a score keeper showing our new design;
FIG. 2 is a front elevational view thereof;
FIG. 3 is a rear elevational view thereof;
FIG. 4 is a left side elevational view thereof, the right side being a mirror thereof;
FIG. 5. is a top plan view thereof; and,
FIG. 6 is a bottom plan view thereof.

1 Claim, 3 Drawing Sheets



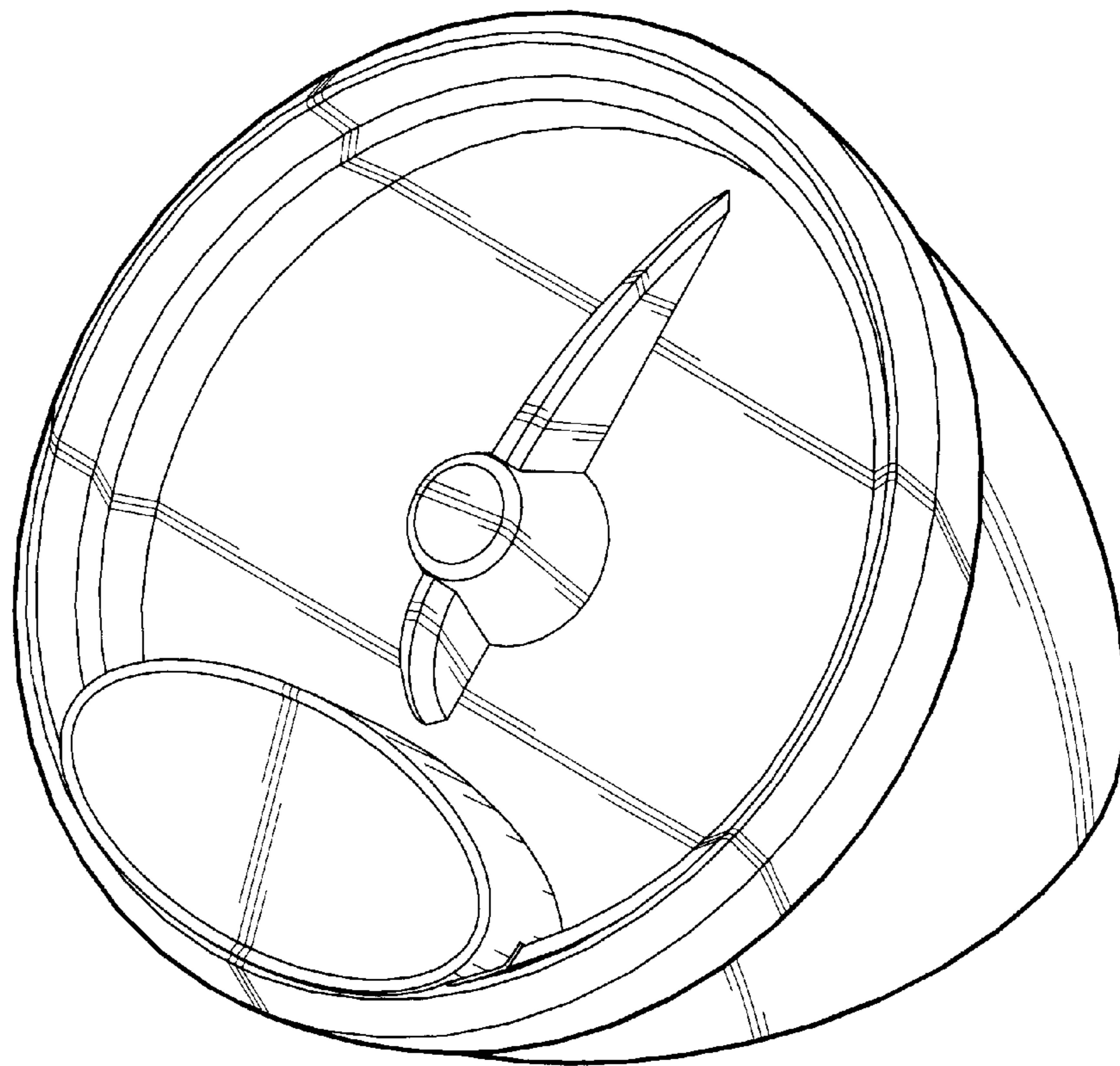


FIG. 1

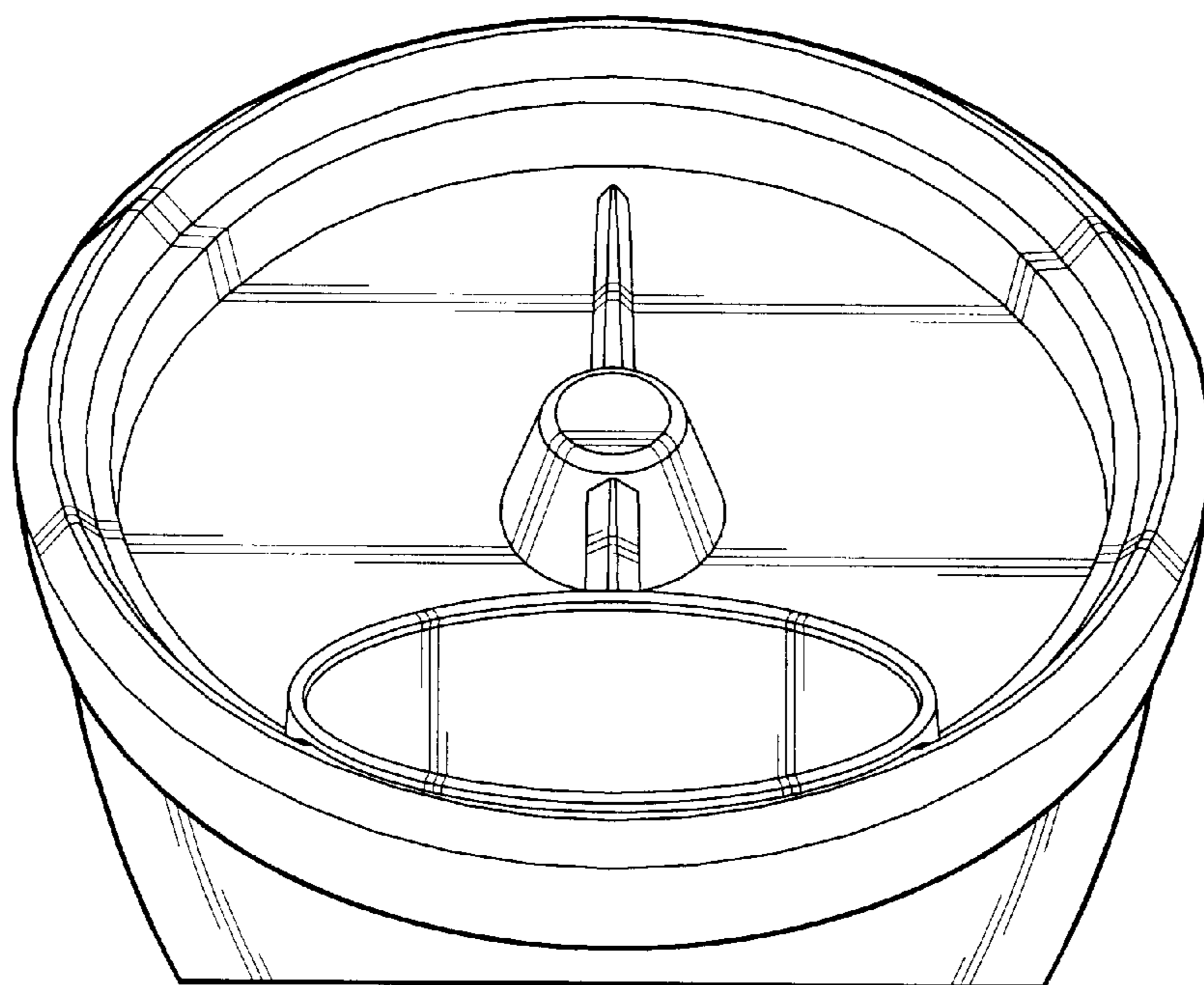


FIG. 2

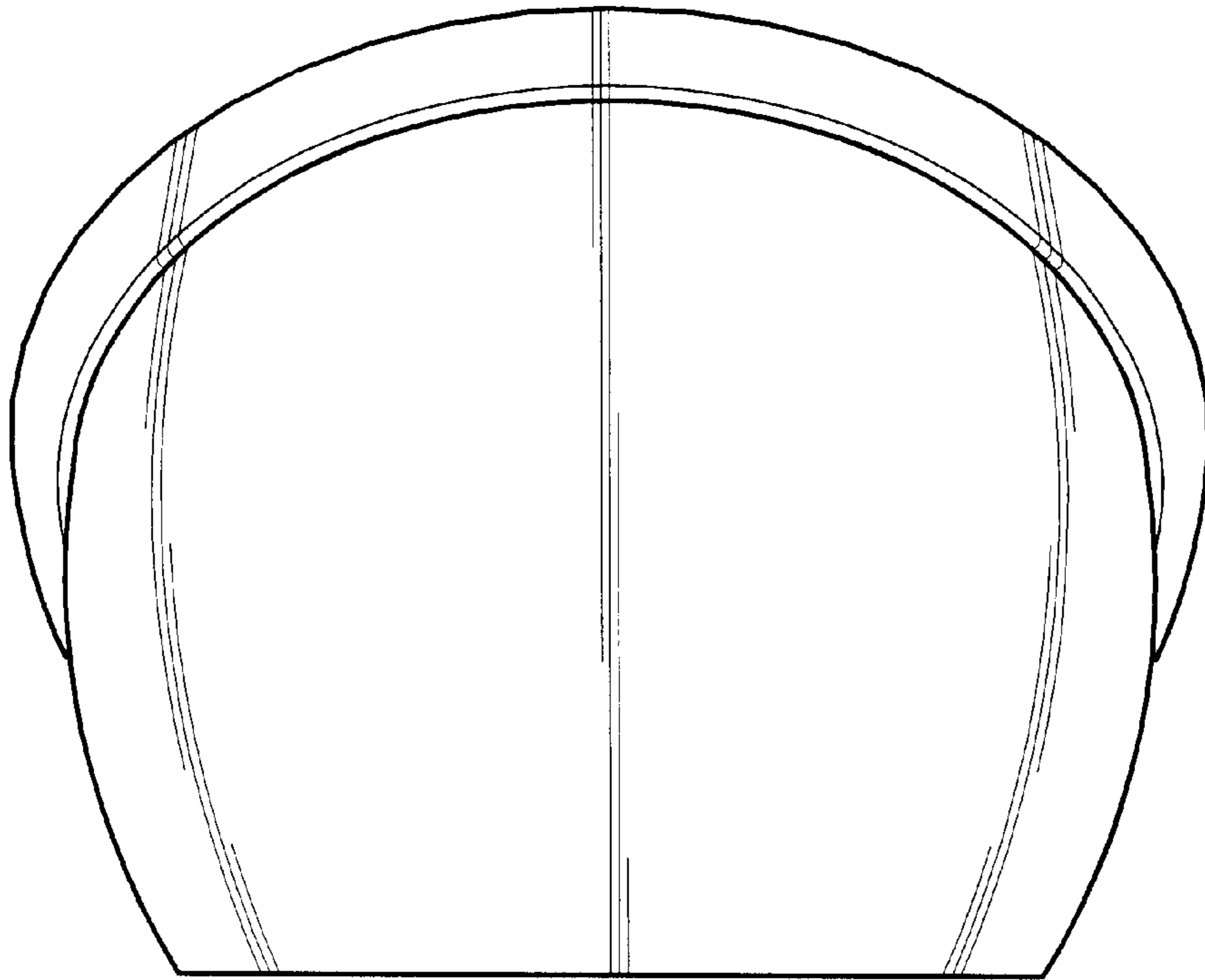


FIG. 3

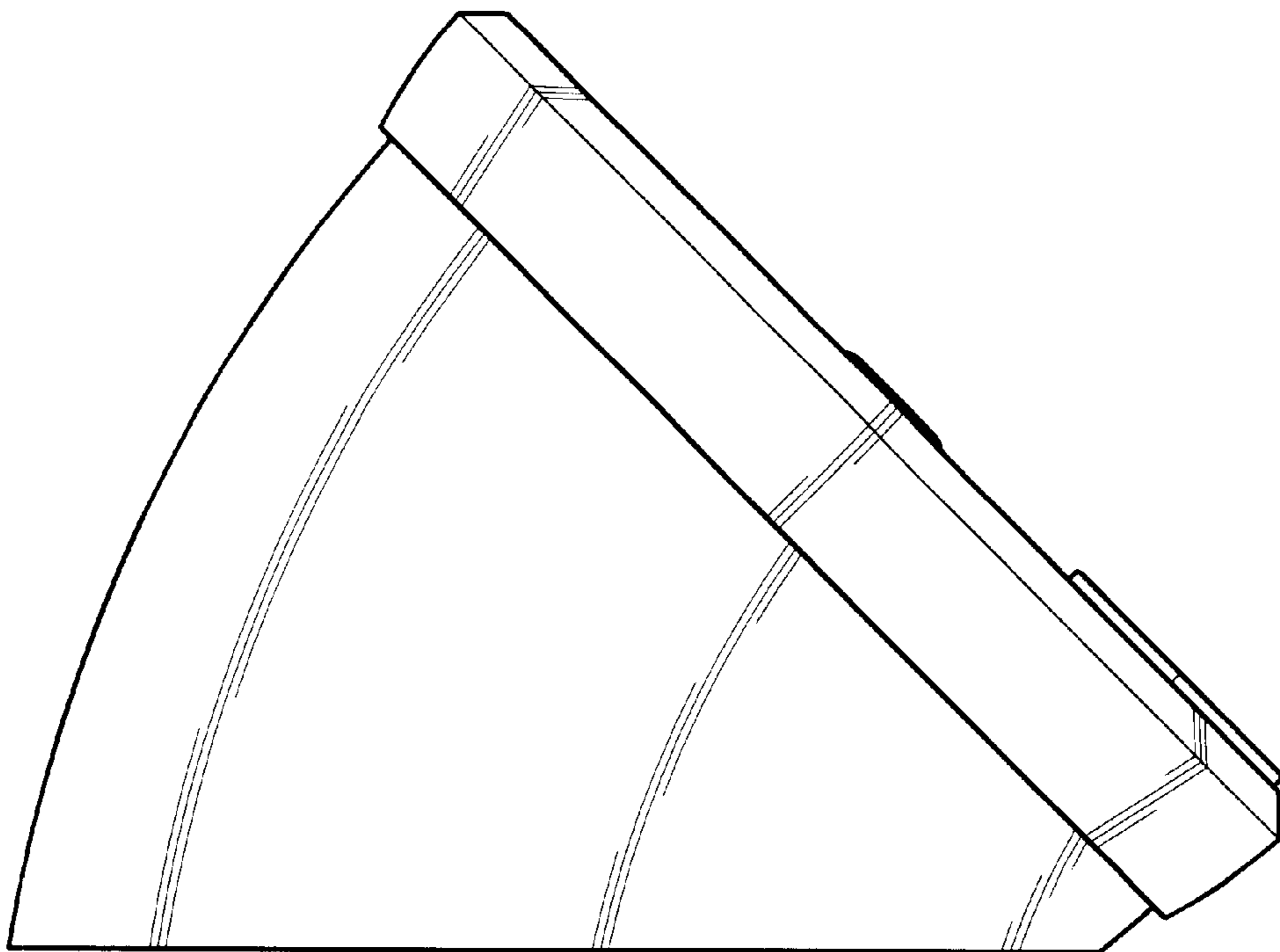


FIG. 4

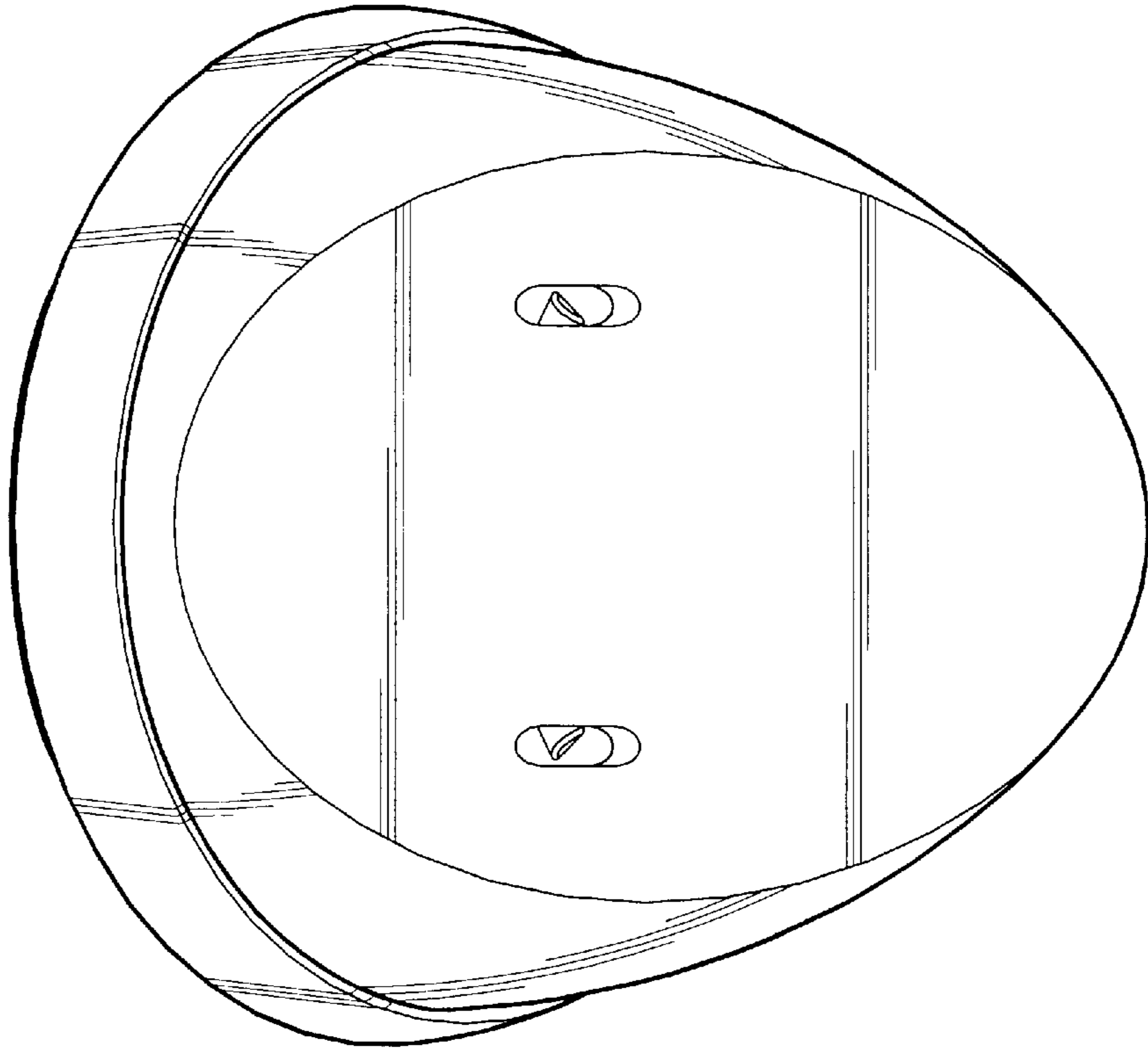


FIG. 6

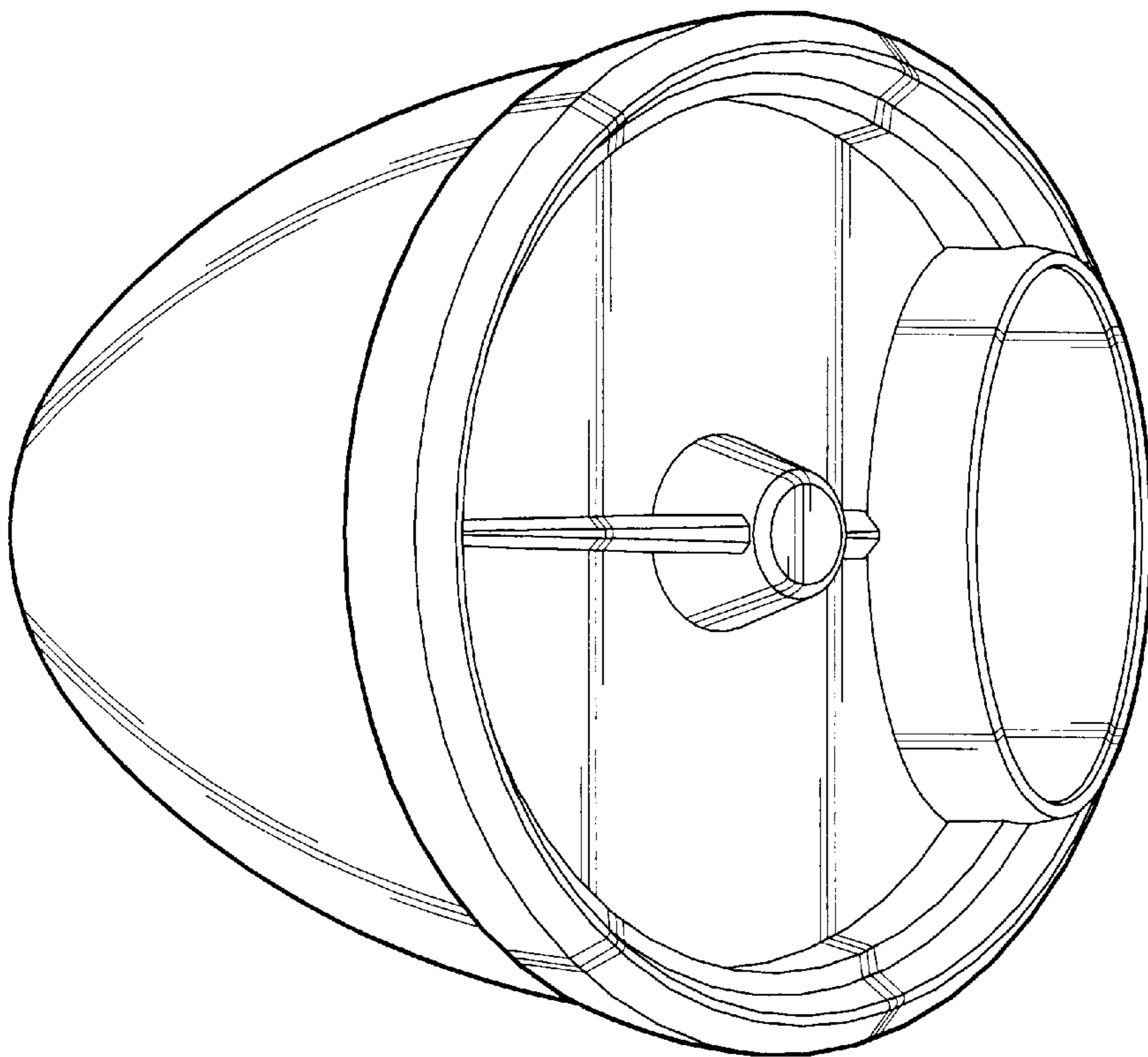


FIG. 5