



US00D540199S

(12) **United States Design Patent**
Nussbaumer

(10) **Patent No.:** **US D540,199 S**

(45) **Date of Patent:** **** Apr. 10, 2007**

(54) **WATCH CASE**

(75) **Inventor:** **Nicolas-Barth Nussbaumer**, Neuchâtel (CH)

(73) **Assignee:** **Tag Heuer, SA** (CH)

(**) **Term:** **14 Years**

(21) **Appl. No.:** **29/262,790**

(22) **Filed:** **Jul. 11, 2006**

(30) **Foreign Application Priority Data**

Jan. 18, 2006 (WO) DM/067 399

(51) **LOC (8) Cl.** **10-02**

(52) **U.S. Cl.** **D10/38**

(58) **Field of Classification Search** D10/30-39;
368/276-278, 281-283, 285, 316, 223, 228,
368/232, 28, 239-242, 21, 82-84
See application file for complete search history.

(56) **References Cited**

U.S. PATENT DOCUMENTS

2,361,563 A	*	10/1944	Pellaton	368/80
D195,421 S	*	6/1963	Huguenin	D10/39
D221,289 S	*	7/1971	VanHaften	D10/39
D365,767 S	*	1/1996	Hitter	D10/32
D413,071 S	*	8/1999	Fichter	D10/39

D415,043 S	*	10/1999	Fichter	D10/39
D470,776 S	*	2/2003	Blondin	D10/30
6,570,823 B1	*	5/2003	Gilomen et al.	368/113
D501,641 S	*	2/2005	Sugiura	D10/39
D502,413 S	*	3/2005	Sugiura et al.	D10/39
D506,936 S	*	7/2005	Takahashi	D10/32
D519,388 S	*	4/2006	Calvani	D10/30
D524,171 S	*	7/2006	Monachon	D10/32

* cited by examiner

Primary Examiner—Lucy Lieberman

(74) *Attorney, Agent, or Firm*—Lott & Friedland, PA

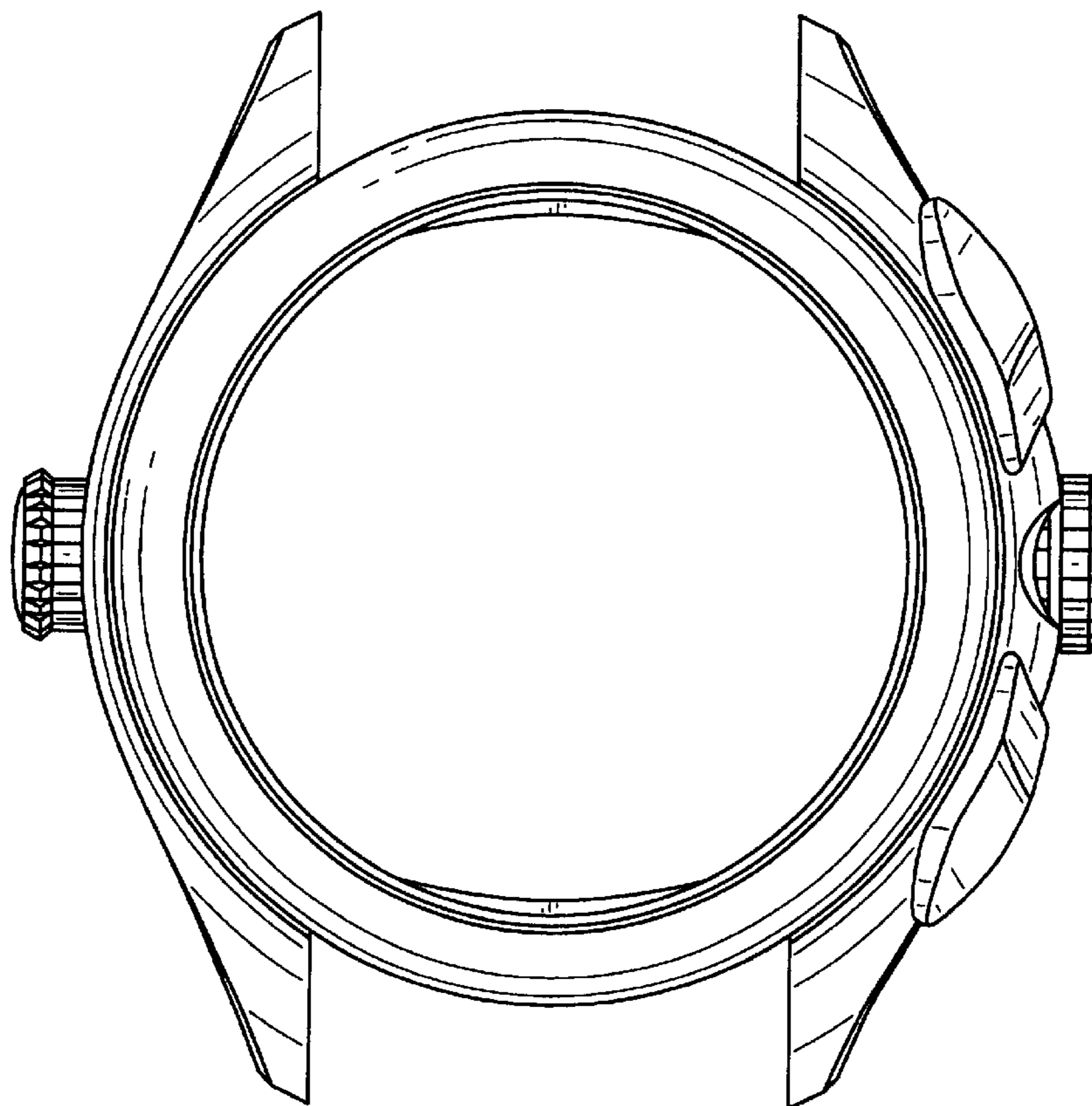
(57) **CLAIM**

The ornamental design for watch case, substantially as shown and described.

DESCRIPTION

FIG. 1 is a perspective view of the watch case of the present invention;
FIG. 2 is a front view of the watch case shown in FIG. 1;
FIG. 3 is a rear view of the watch case shown in FIG. 1;
FIG. 4 is a left side elevational view of the watch case shown in FIG. 1;
FIG. 5 is a right side elevational view of the watch case shown in FIG. 1;
FIG. 6 is a top view of the watch case shown in FIG. 1; and,
FIG. 7 is a bottom view of the watch case shown in FIG. 1.

1 Claim, 5 Drawing Sheets



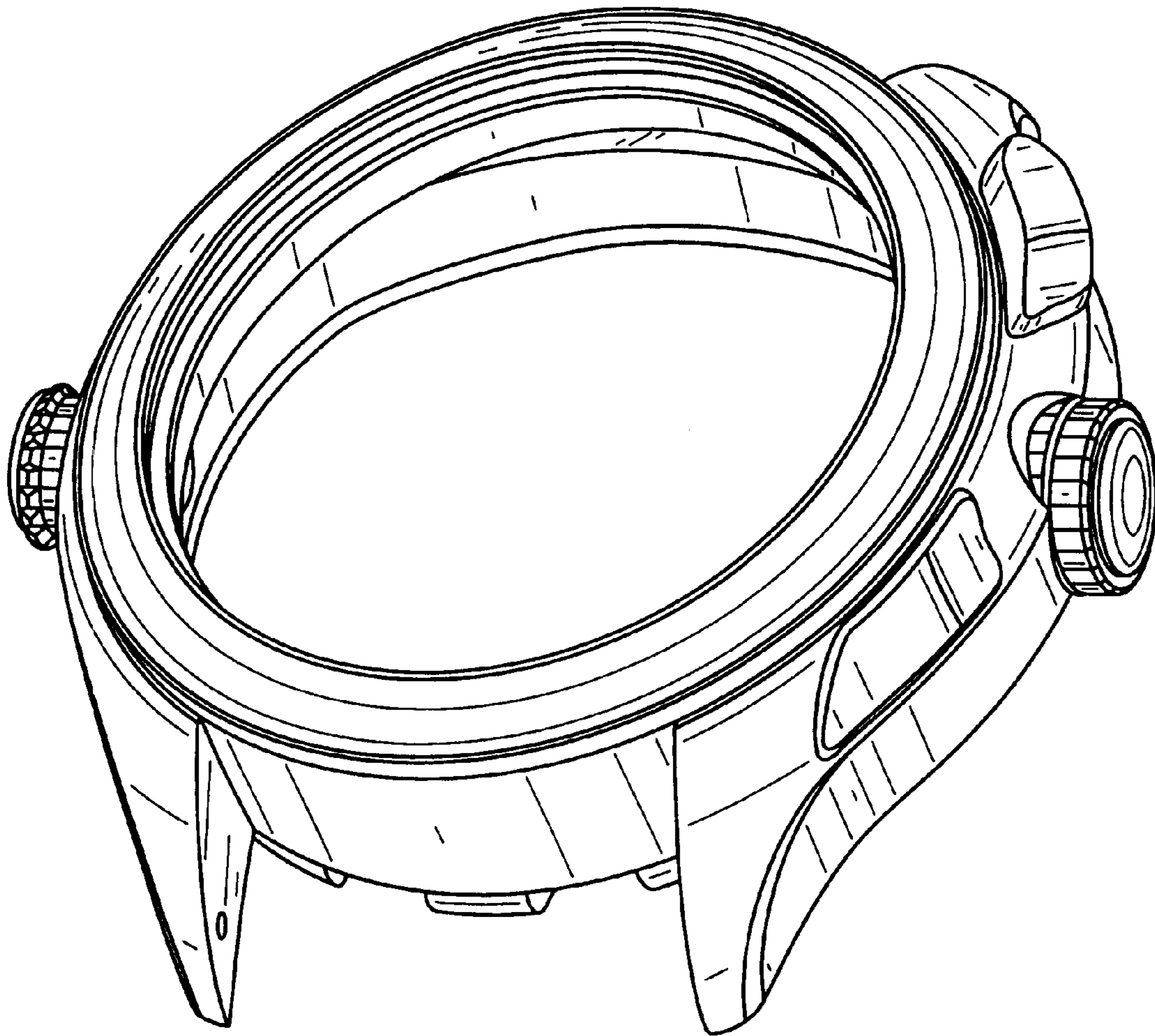


FIG. 1

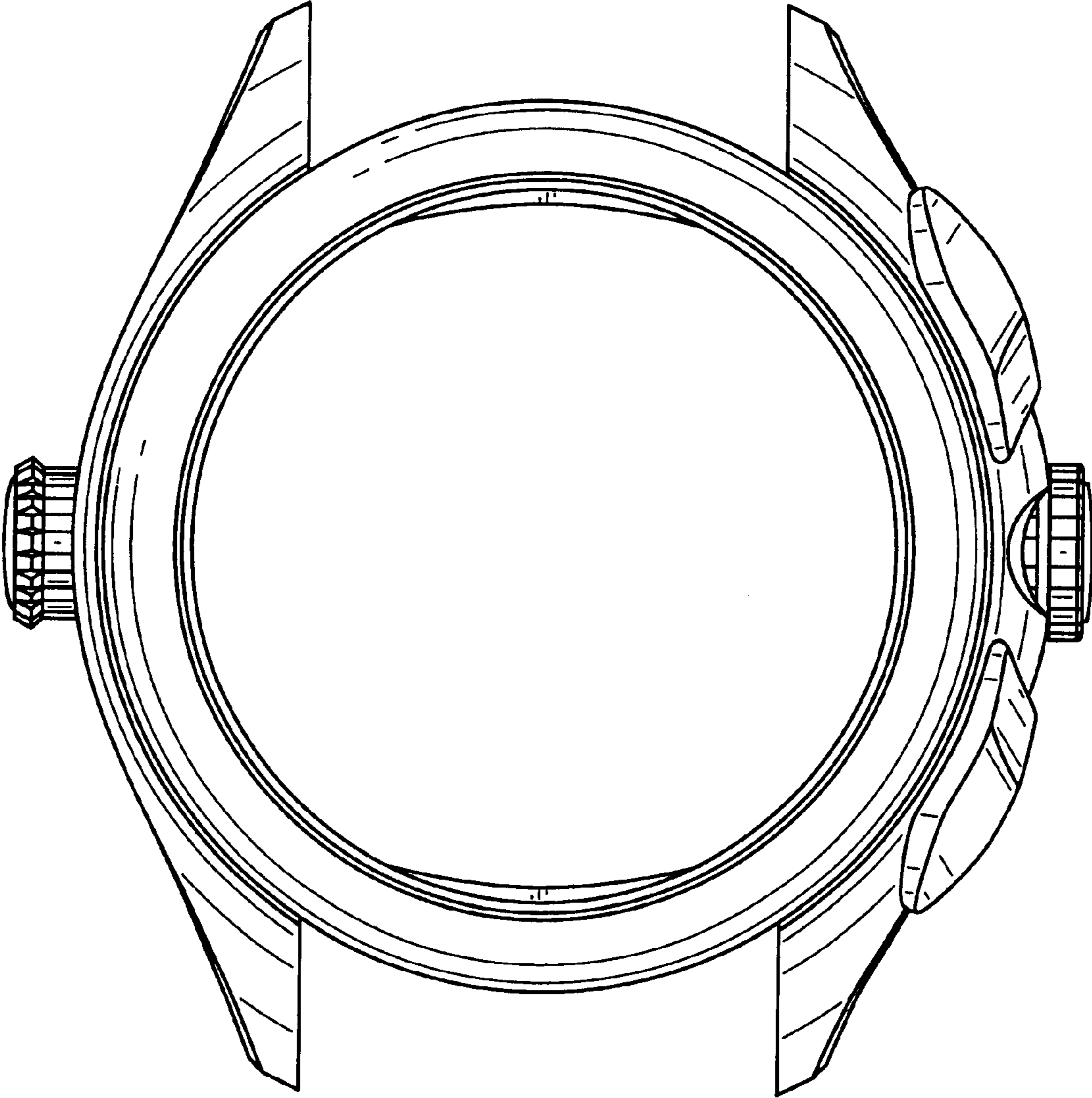


FIG. 2

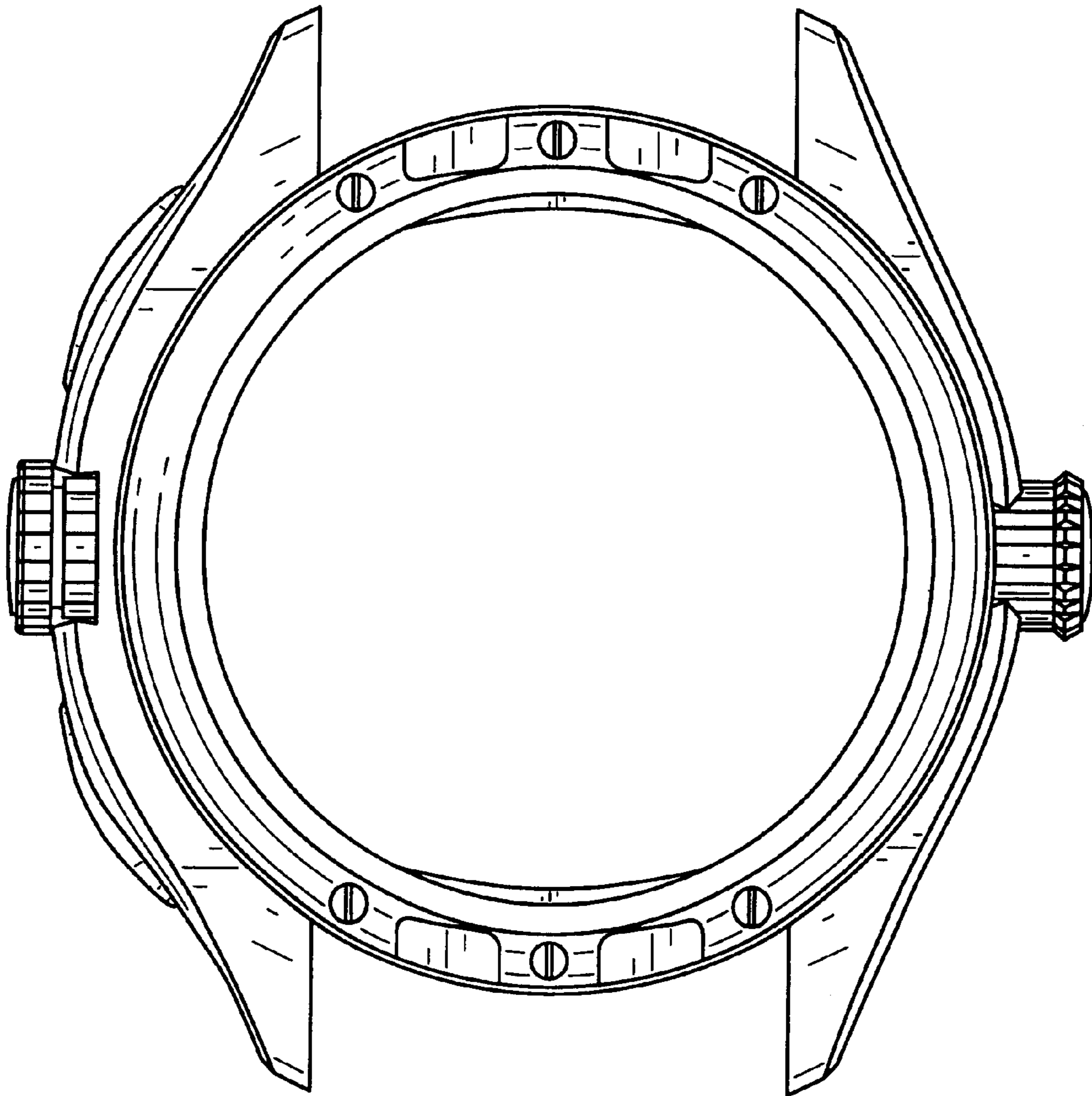


FIG. 3

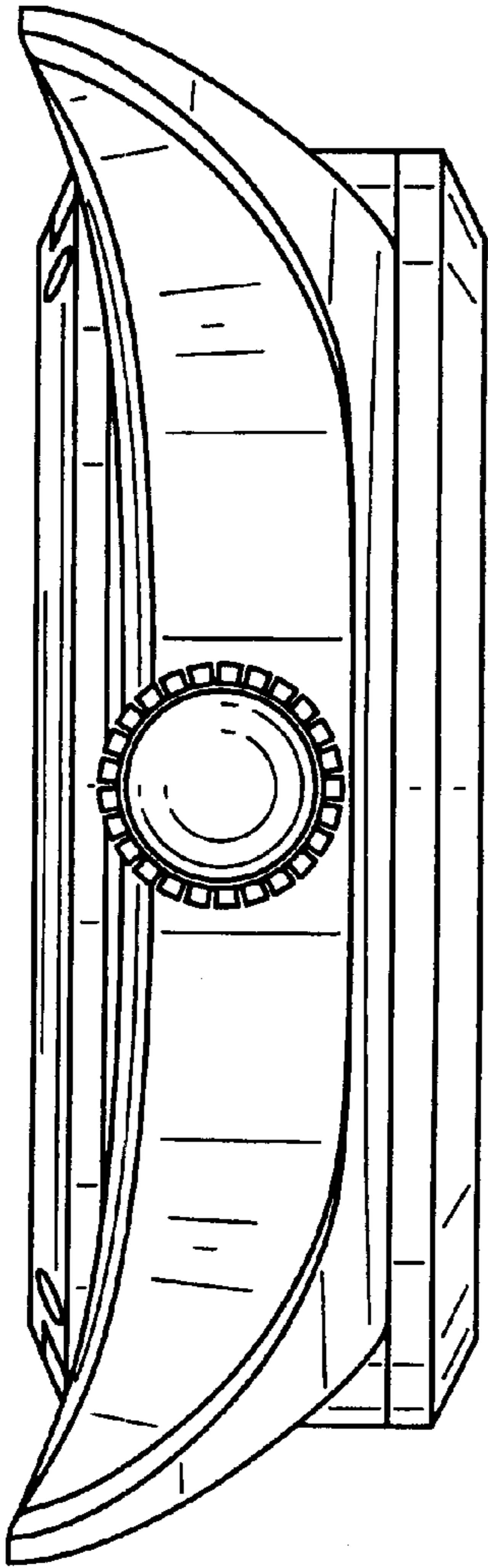


FIG. 4

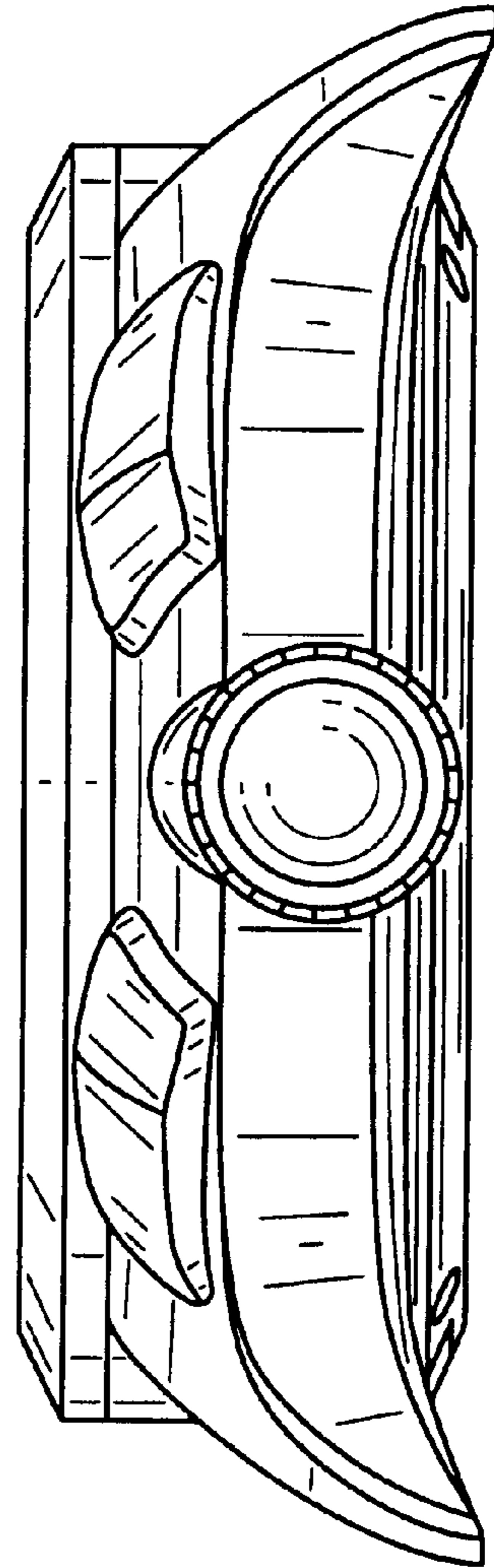


FIG. 5

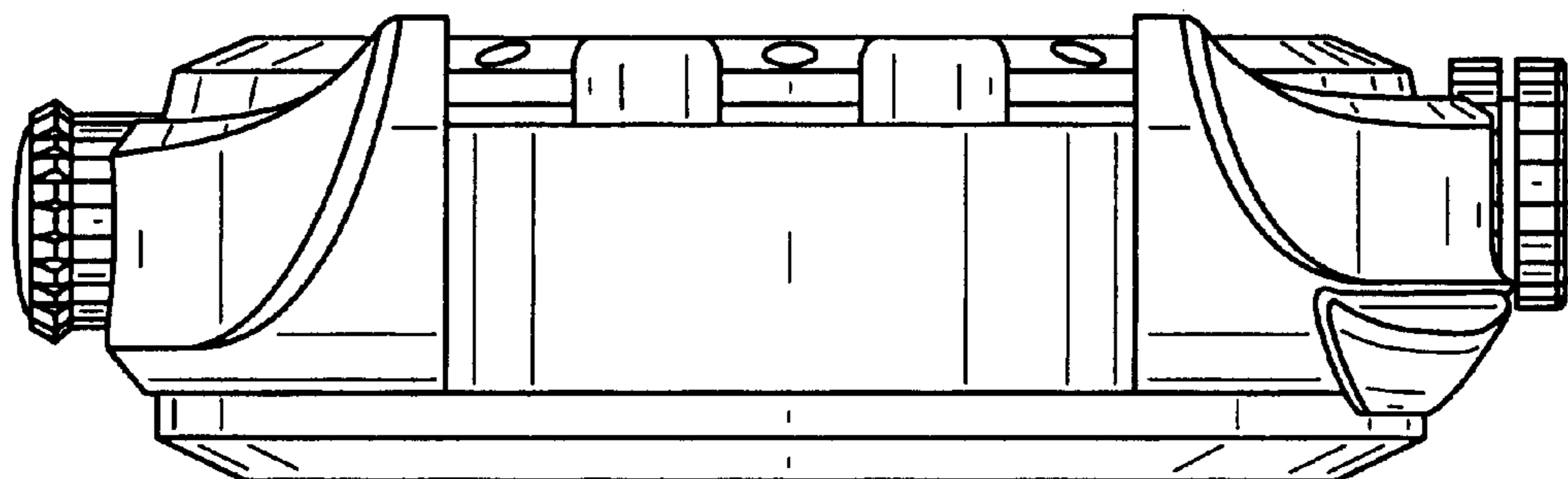


FIG. 6

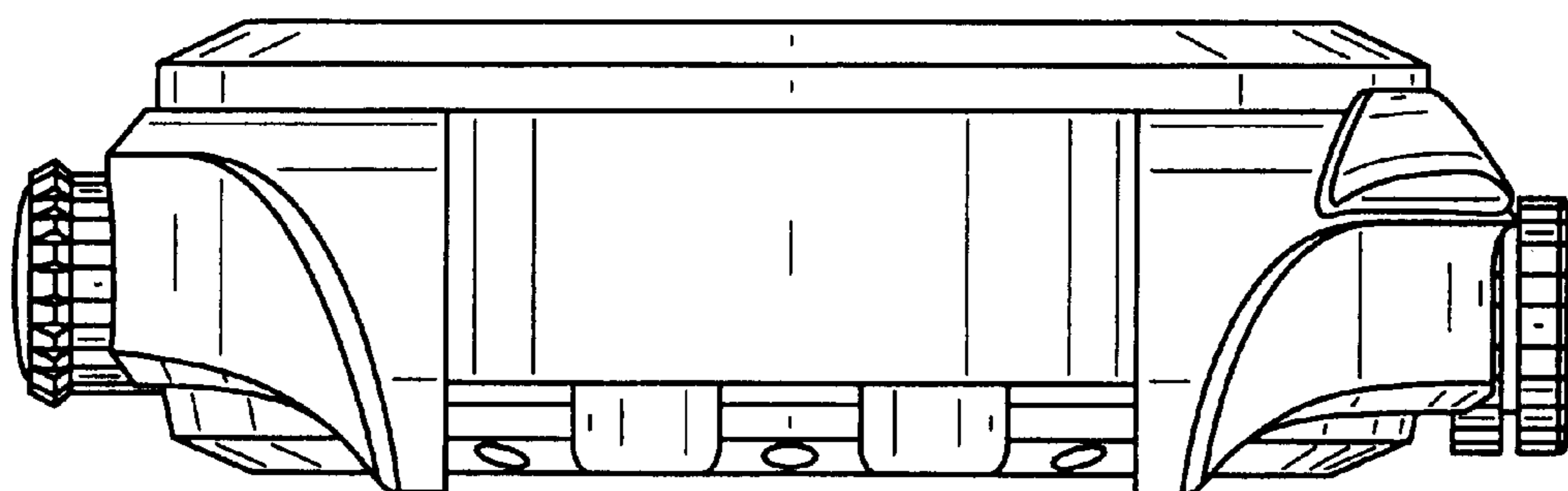


FIG. 7