

US00D540198S

(12) **United States Design Patent**
De Witt

(10) **Patent No.:** **US D540,198 S**

(45) **Date of Patent:** **** Apr. 10, 2007**

(54) **WATCH CASE**

(76) **Inventor:** **Jerome De Witt**, Route de Pressy 40,
Vandoeuvres (CH), 1253

(**) **Term:** **14 Years**

(21) **Appl. No.:** **29/230,656**

(22) **Filed:** **May 25, 2005**

(51) **LOC (8) Cl.** **10-02**

(52) **U.S. Cl.** **D10/38**

(58) **Field of Classification Search** D10/30-39,
D10/122-132; 368/276-278, 281-283, 285
See application file for complete search history.

(56) **References Cited**

U.S. PATENT DOCUMENTS

D267,237 S	*	12/1982	Kanouï	D10/39
4,653,933 A	*	3/1987	Reichel	368/282
D336,616 S	*	6/1993	Gueit	D10/39
D386,421 S	*	11/1997	Kennedy	D10/30

D390,130 S	*	2/1998	Kennedy	D10/32
D392,902 S	*	3/1998	Mouawad	D10/30
D470,060 S	*	2/2003	Grimoldi	D10/39
D473,478 S	*	4/2003	d'Origny	D10/39

* cited by examiner

Primary Examiner—Lucy Lieberman

(74) *Attorney, Agent, or Firm*—Young & Thompson

(57) **CLAIM**

The ornamental design for a watch case, as shown and described.

DESCRIPTION

FIG. 1 is a top view of the watch case.
FIG. 2 is a bottom view of the watch case.
FIG. 3 is a side view from the right of FIG. 1.
FIG. 4 is a side view from the left of FIG. 1.
FIG. 5 is a side view from the bottom of FIG. 1.
FIG. 6 is a side view from the top of FIG. 1; and,
FIG. 7 is a perspective view of the watch case.

1 Claim, 1 Drawing Sheet

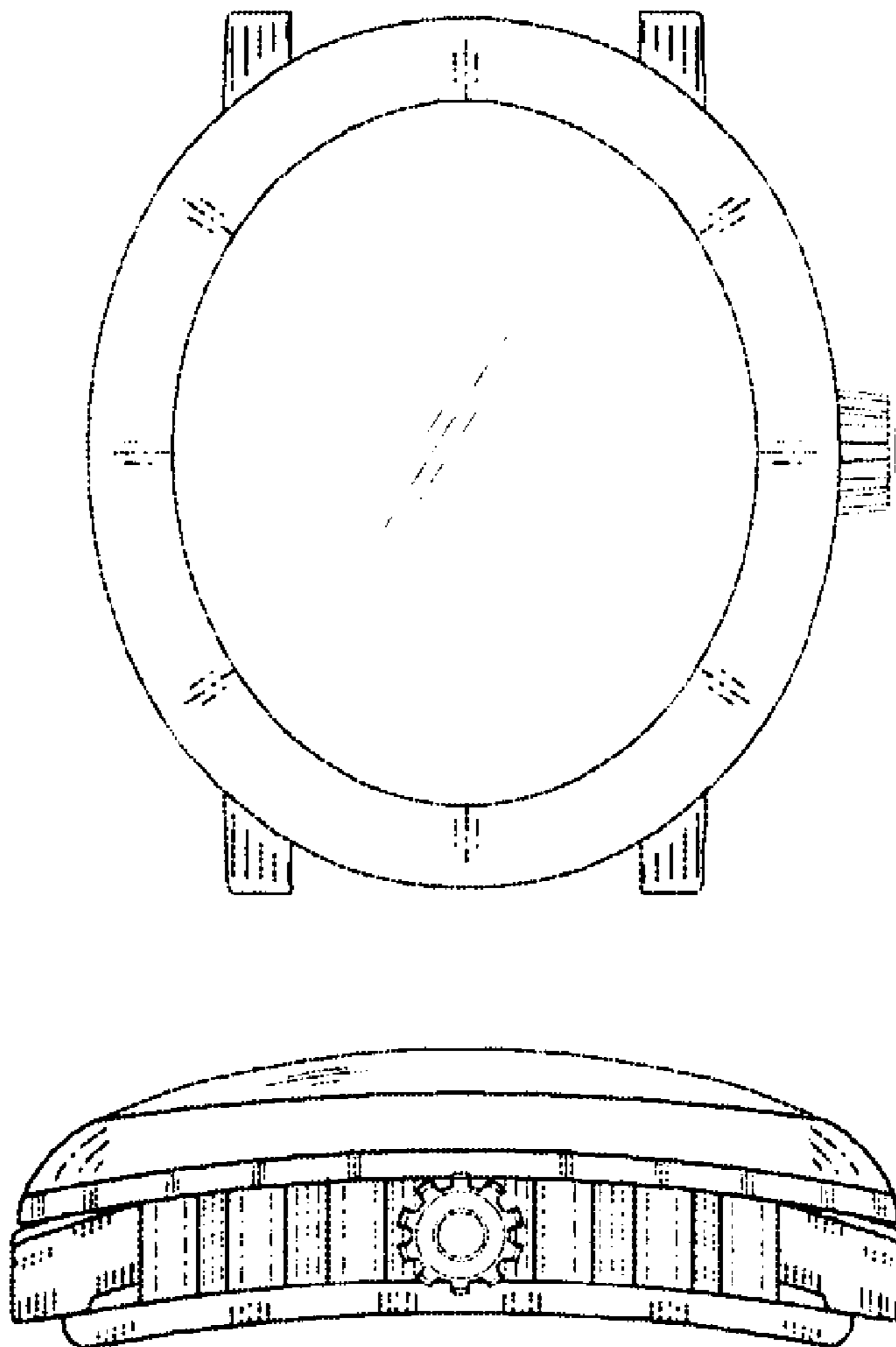


fig.1

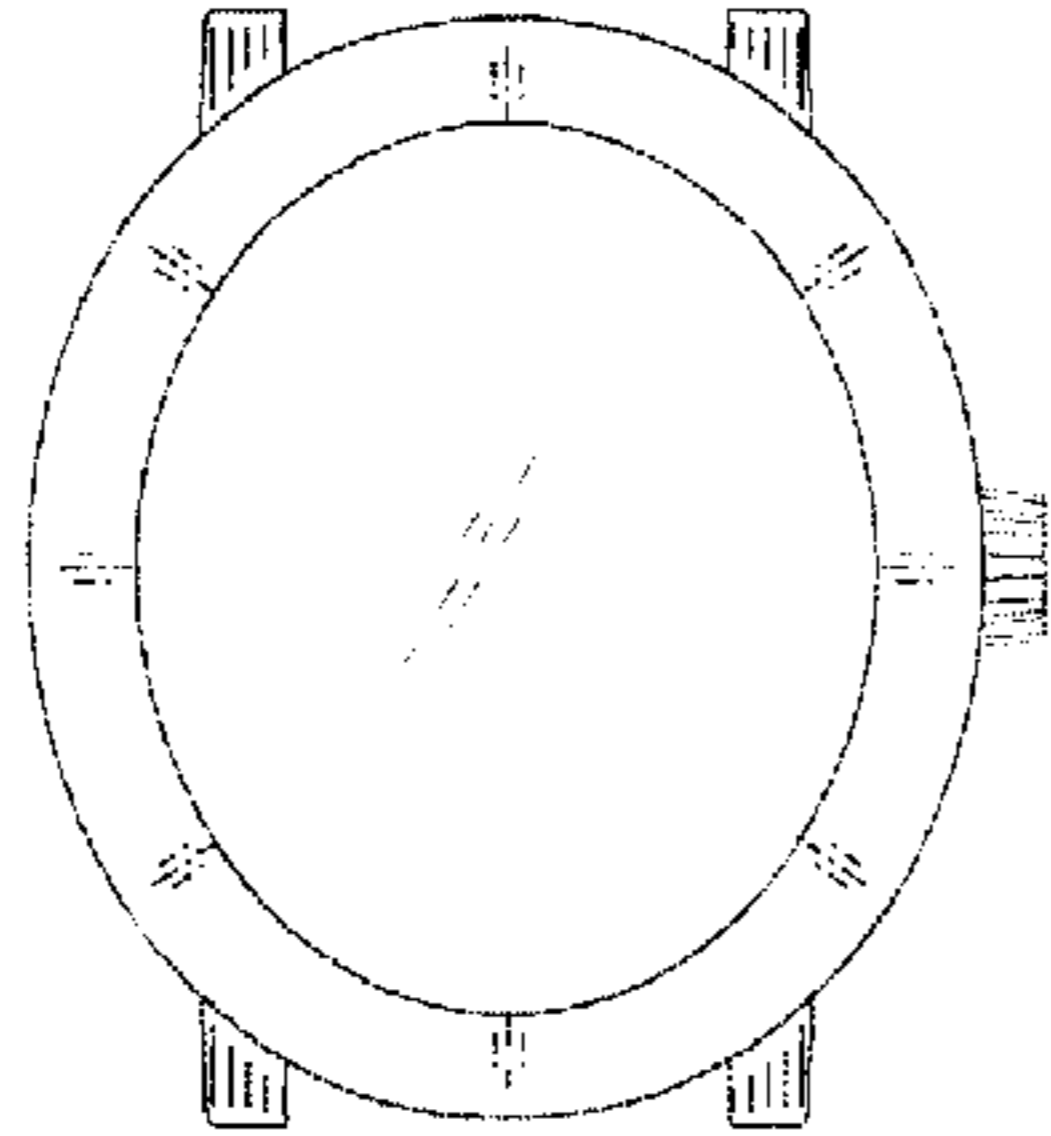


fig.2

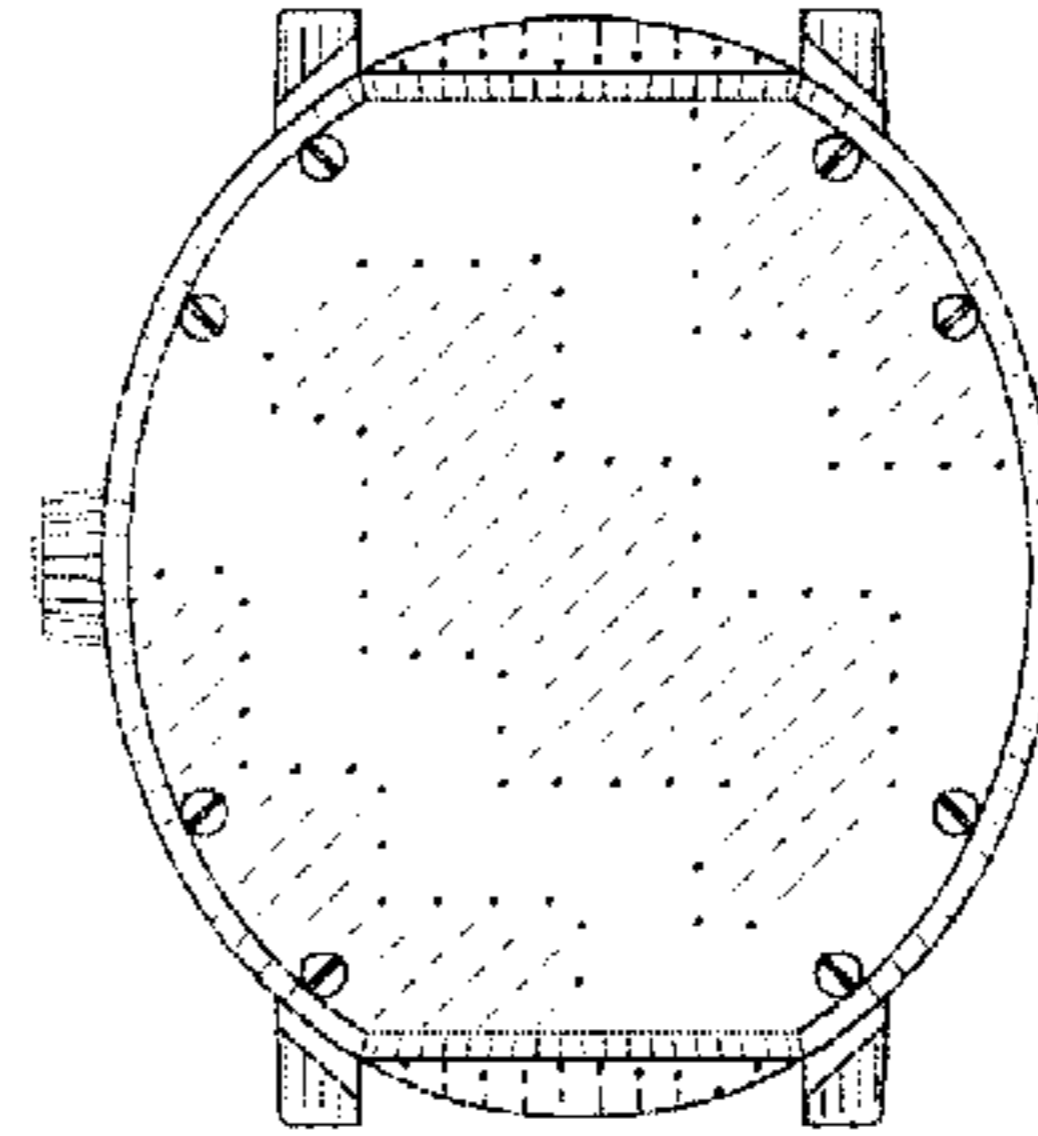


fig.3

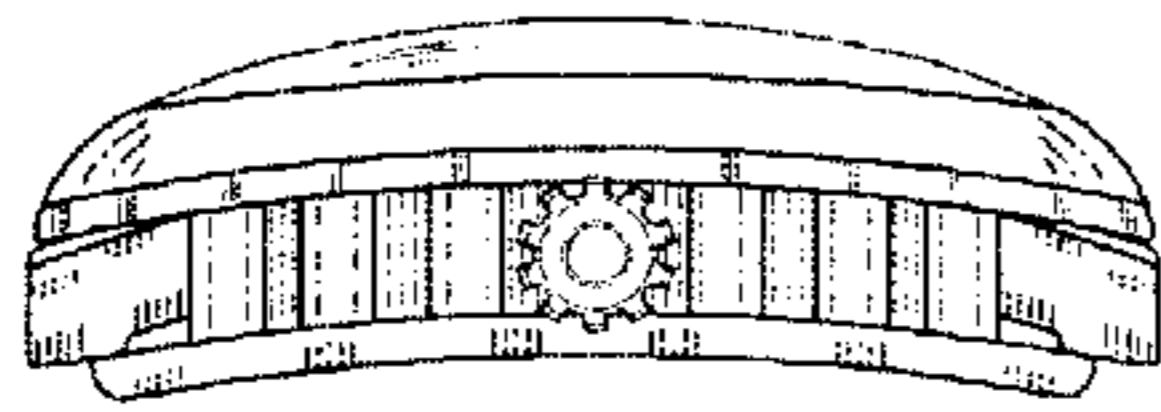


fig.4

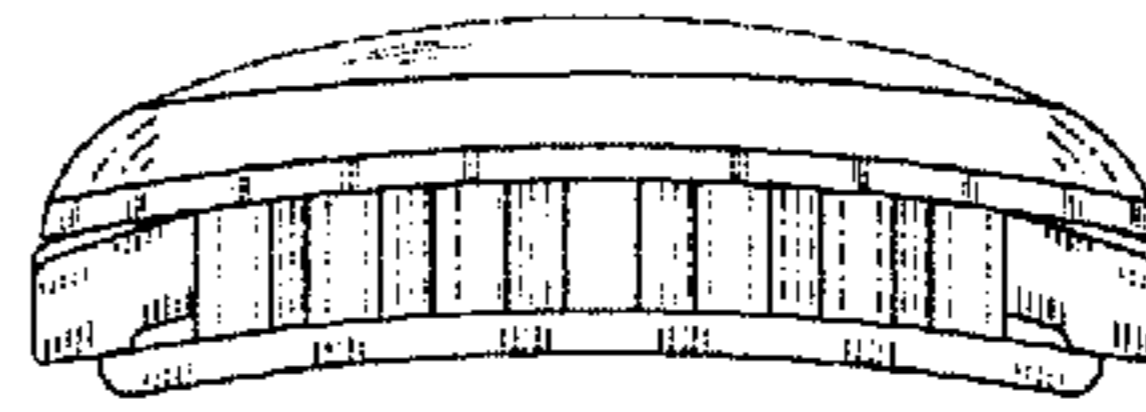


fig.5

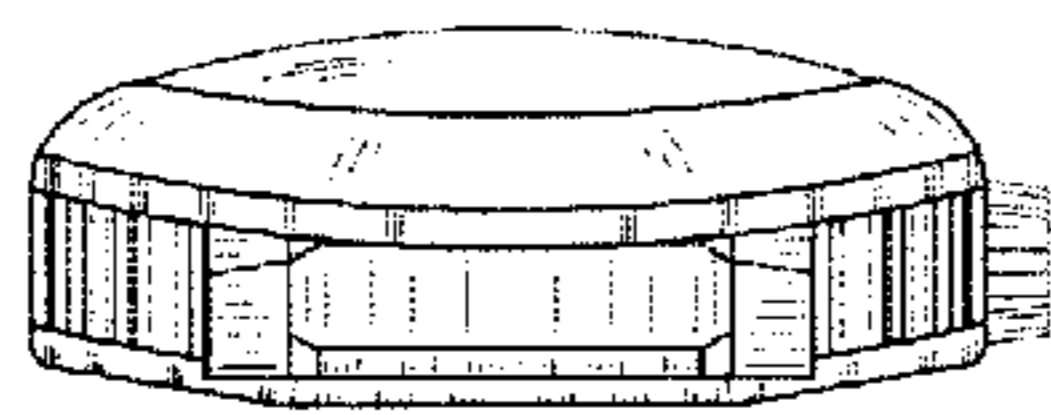


fig.6

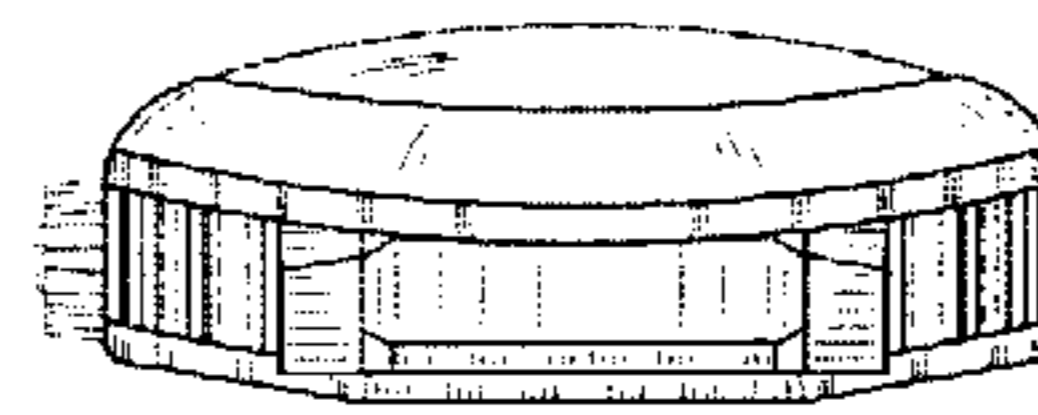


fig.7

