



US00D540191S

(12) **United States Design Patent**
Ramm et al.

(10) **Patent No.:** **US D540,191 S**

(45) **Date of Patent:** **** Apr. 10, 2007**

(54) **ORGANIZER TRAY**

(75) Inventors: **Christopher Ramm**, North Attleboro, MA (US); **Michael J. Gray**, Duxbury, MA (US)

(73) Assignee: **The Gillette Company**, Boston, MA (US)

(**) **Term:** **14 Years**

(21) Appl. No.: **29/238,046**

(22) Filed: **Sep. 9, 2005**

(51) **LOC (8) Cl.** **09-03**

(52) **U.S. Cl.** **D9/749**

(58) **Field of Classification Search** D9/749,
D9/737, 748, 415, 416, 430-432; D6/512,
D6/526; D28/73, 44, 99; D3/201, 205; 206/228,
206/240, 352, 775, 208, 493, 354-360
See application file for complete search history.

(56) **References Cited**

U.S. PATENT DOCUMENTS

D256,995 S	*	9/1980	Kiraly	D9/749
D320,342 S	*	10/1991	Gray	D9/749
D336,426 S	*	6/1993	Fisher	D9/749
D364,060 S	*	11/1995	Lai	D6/526
D370,844 S	*	6/1996	Shurtleff et al.	D9/749
5,782,346 A	*	7/1998	Gray et al.	206/228
D399,421 S	*	10/1998	Gray	D9/749
D401,145 S	*	11/1998	Gray	D9/749
D409,799 S	*	5/1999	Prochaska	D28/73
5,903,978 A	*	5/1999	Prochaska et al.	30/34.05
D425,296 S	*	5/2000	Shurtleff	D3/205

D433,187 S	*	10/2000	Dettman	D28/44
6,415,517 B1	*	7/2002	Worrick, III	30/541
D494,796 S	*	8/2004	Dansreau et al.	D6/526
6,946,624 B1	*	9/2005	Tomassetti	219/386
D519,644 S	*	4/2006	Jankowski et al.	D24/222

* cited by examiner

Primary Examiner—Stella Reid

Assistant Examiner—Mark Goodwin

(74) *Attorney, Agent, or Firm*—Dara M. Kendall; Kevin C. Johnson

(57) **CLAIM**

The ornamental design for an organizer tray, as shown and described.

DESCRIPTION

FIG. 1 is a top right front perspective view of an organizer tray showing our new design;
 FIG. 2 is a top plan view thereof;
 FIG. 3 is a right side elevational view thereof, the left side elevational view being a mirror image;
 FIG. 4 is a bottom plan view thereof;
 FIG. 5 is a front elevational view thereof;
 FIG. 6 is a rear elevational view thereof;
 FIG. 7 is a top right front perspective view of an alternate embodiment of an organizer tray showing our new design;
 FIG. 8 is a top plan view thereof;
 FIG. 9 is a right side elevational view thereof, the left side elevational view being a mirror image;
 FIG. 10 is a bottom plan view thereof;
 FIG. 11 is a front elevational view thereof; and,
 FIG. 12 is a rear elevational view thereof.

1 Claim, 8 Drawing Sheets

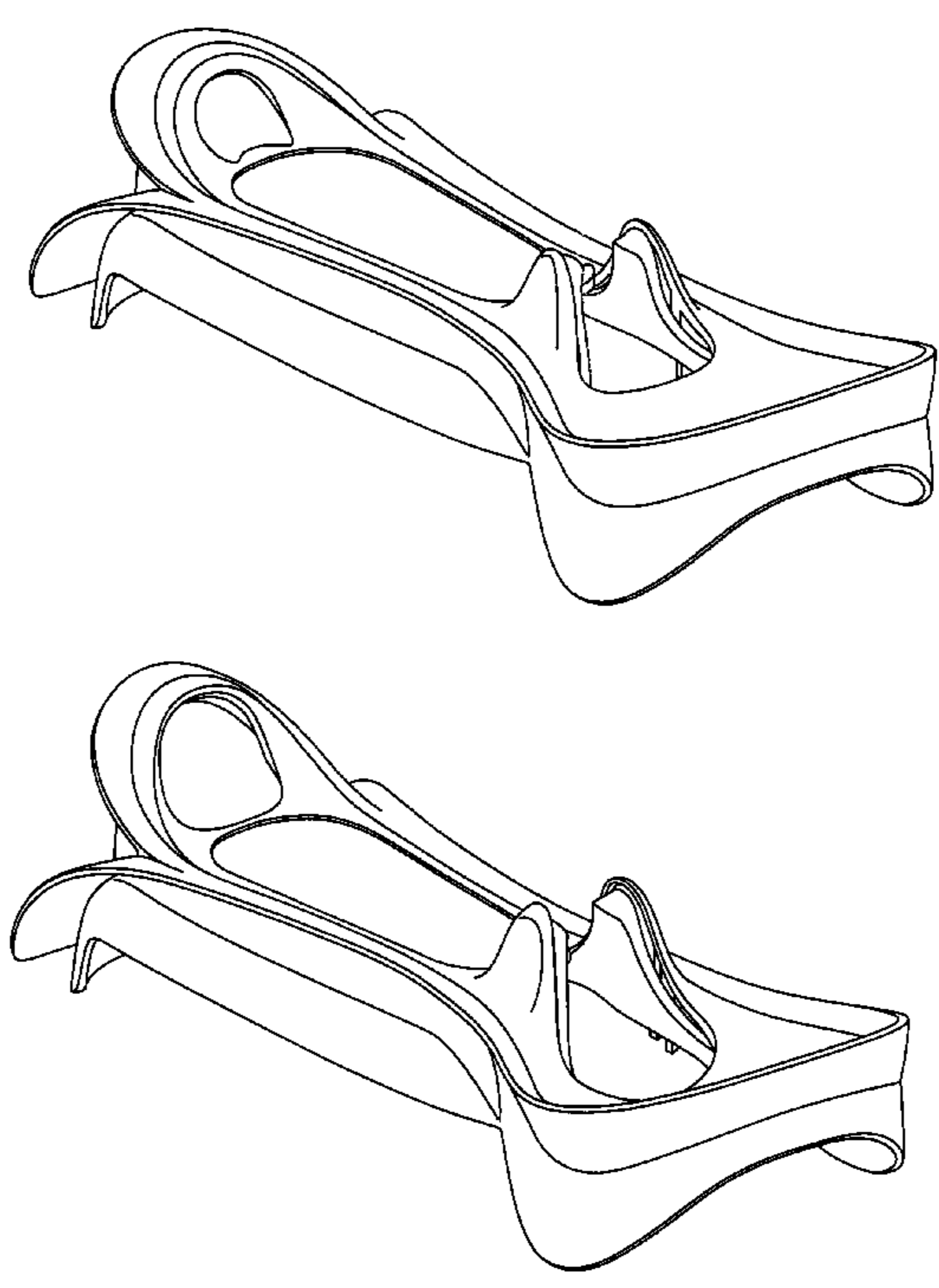


FIG. 1

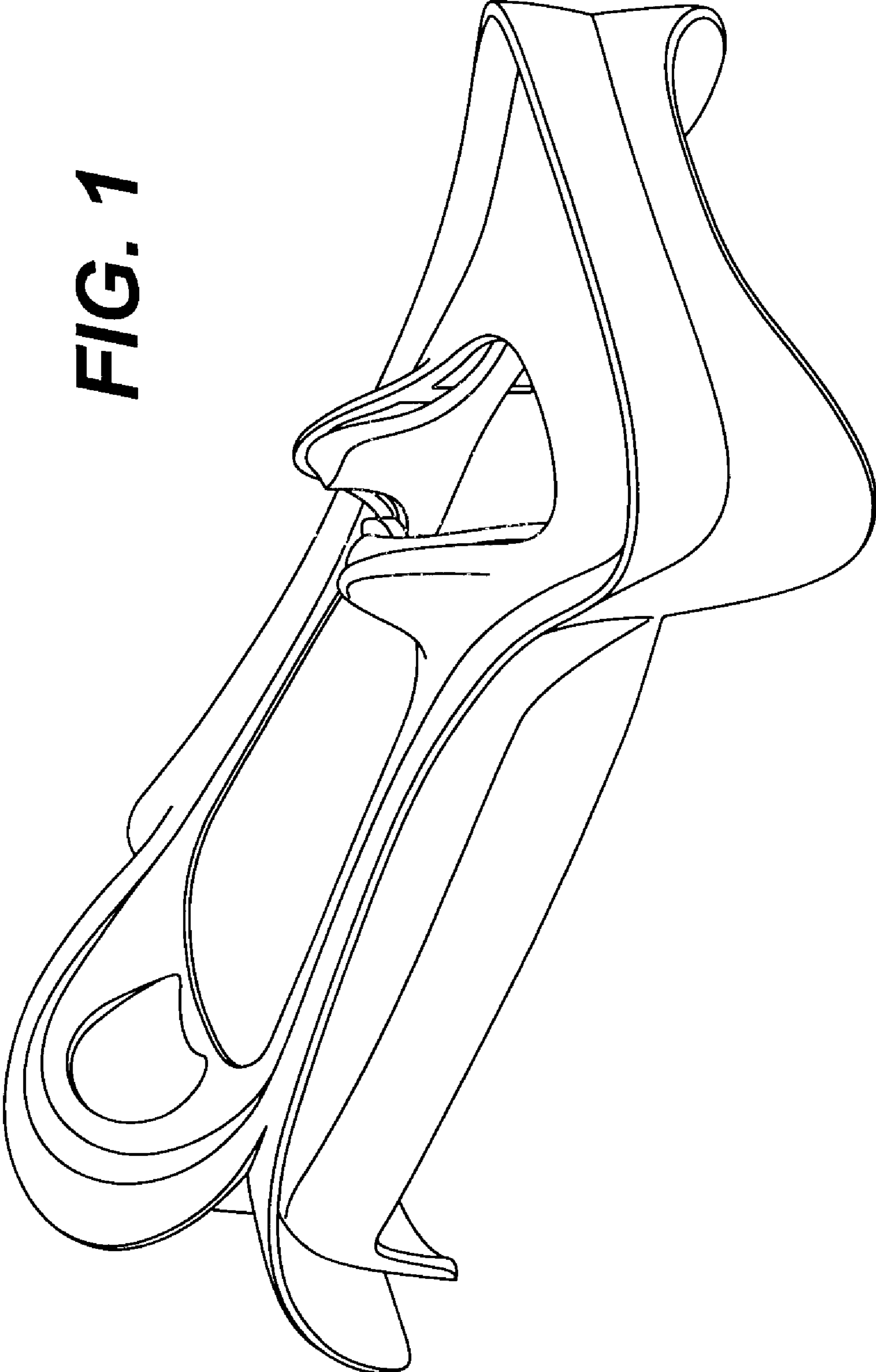


FIG. 2

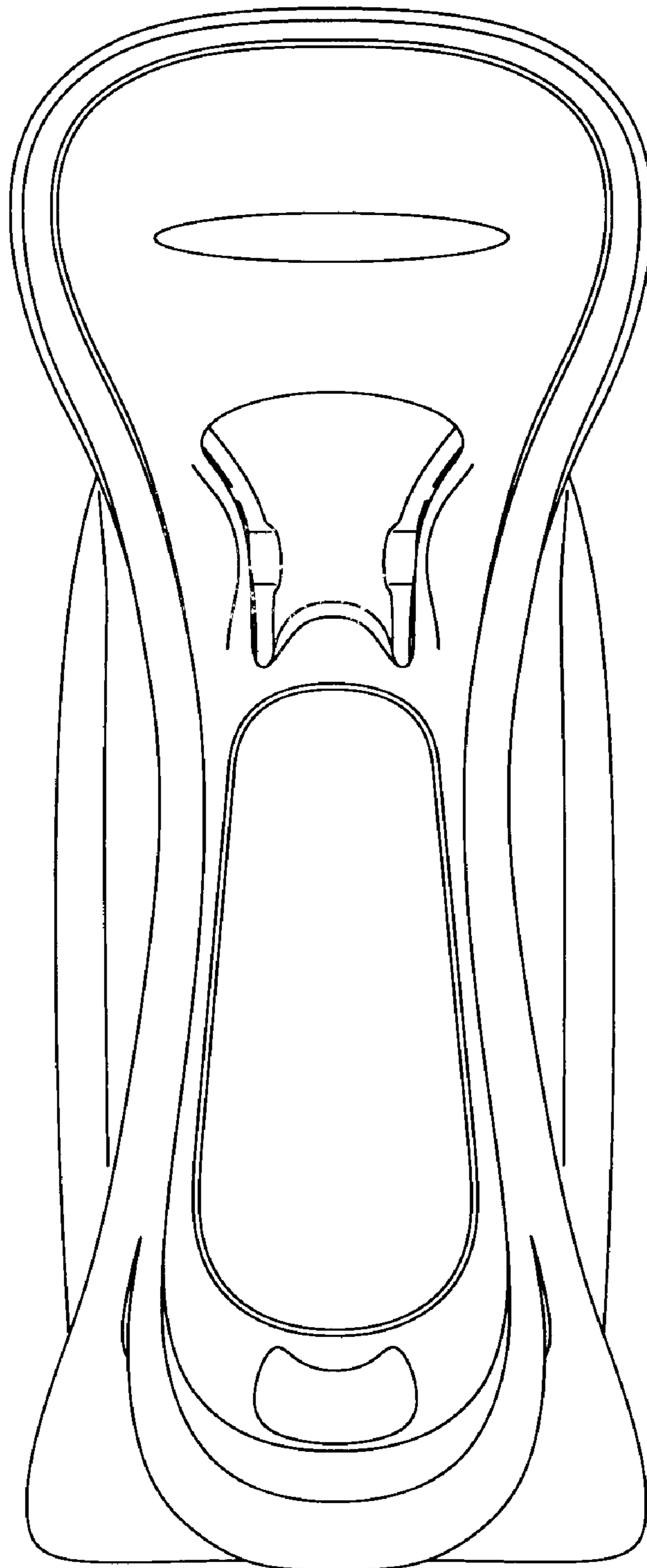


FIG. 3

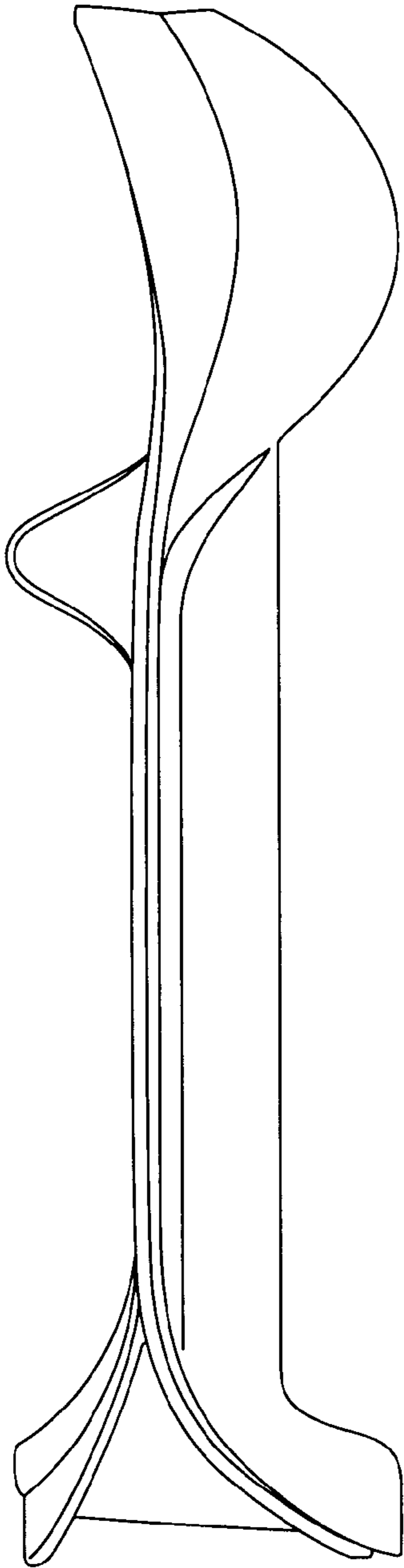


FIG. 4

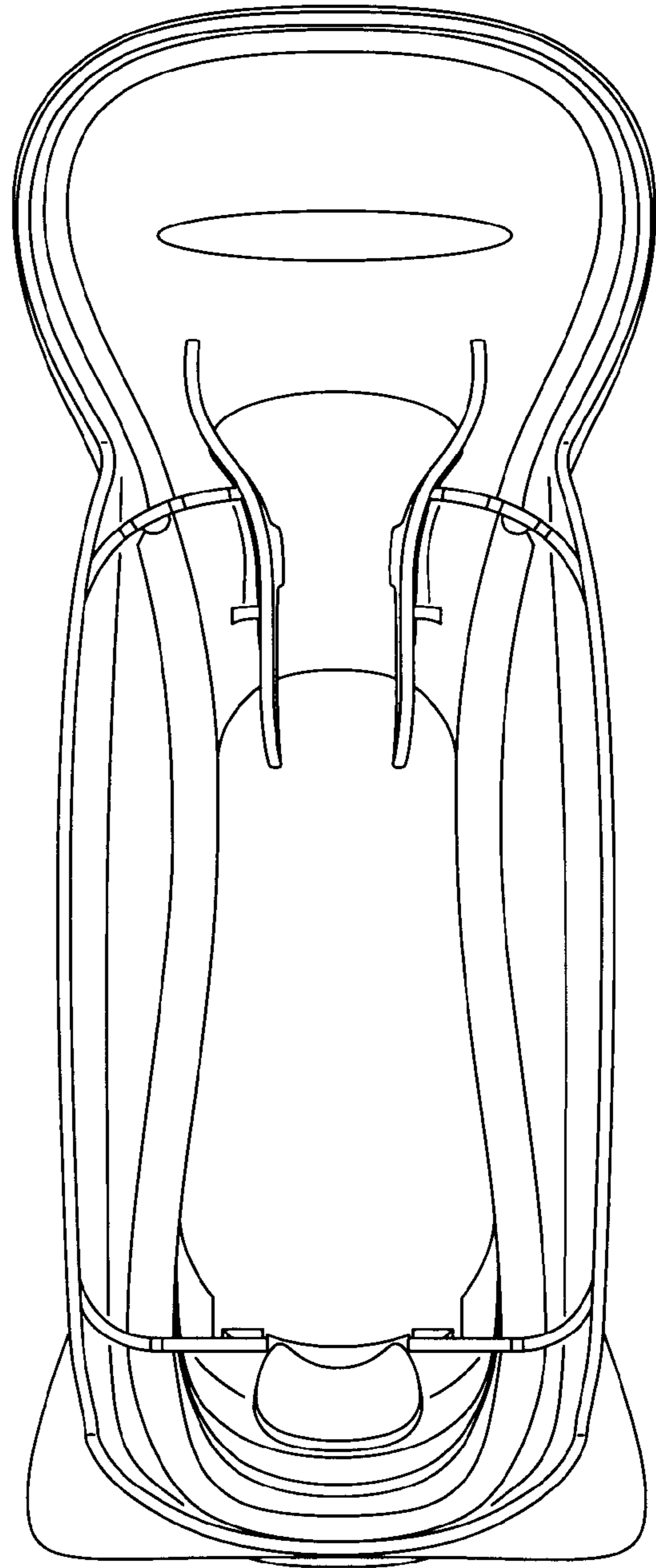


FIG. 5

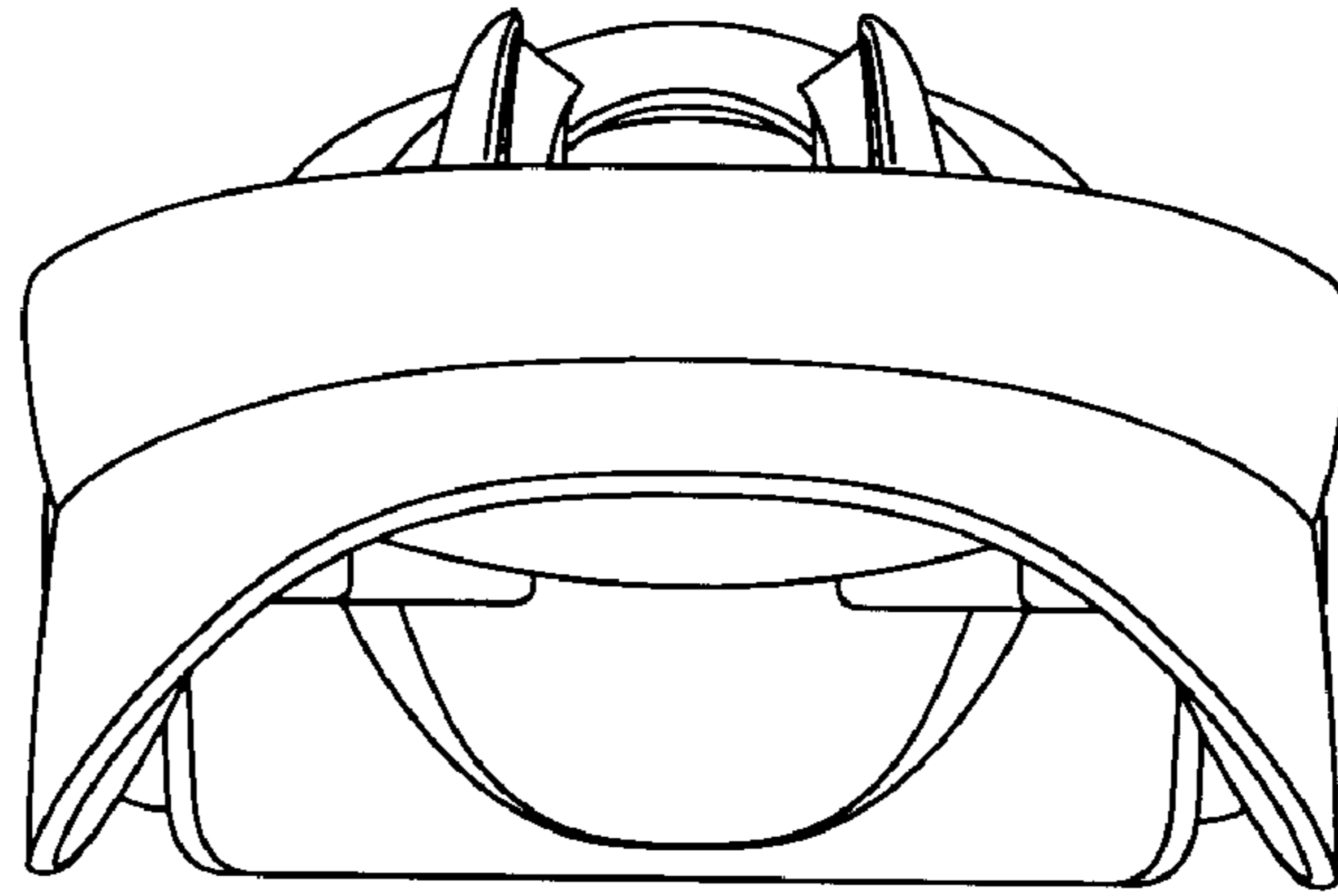


FIG. 6

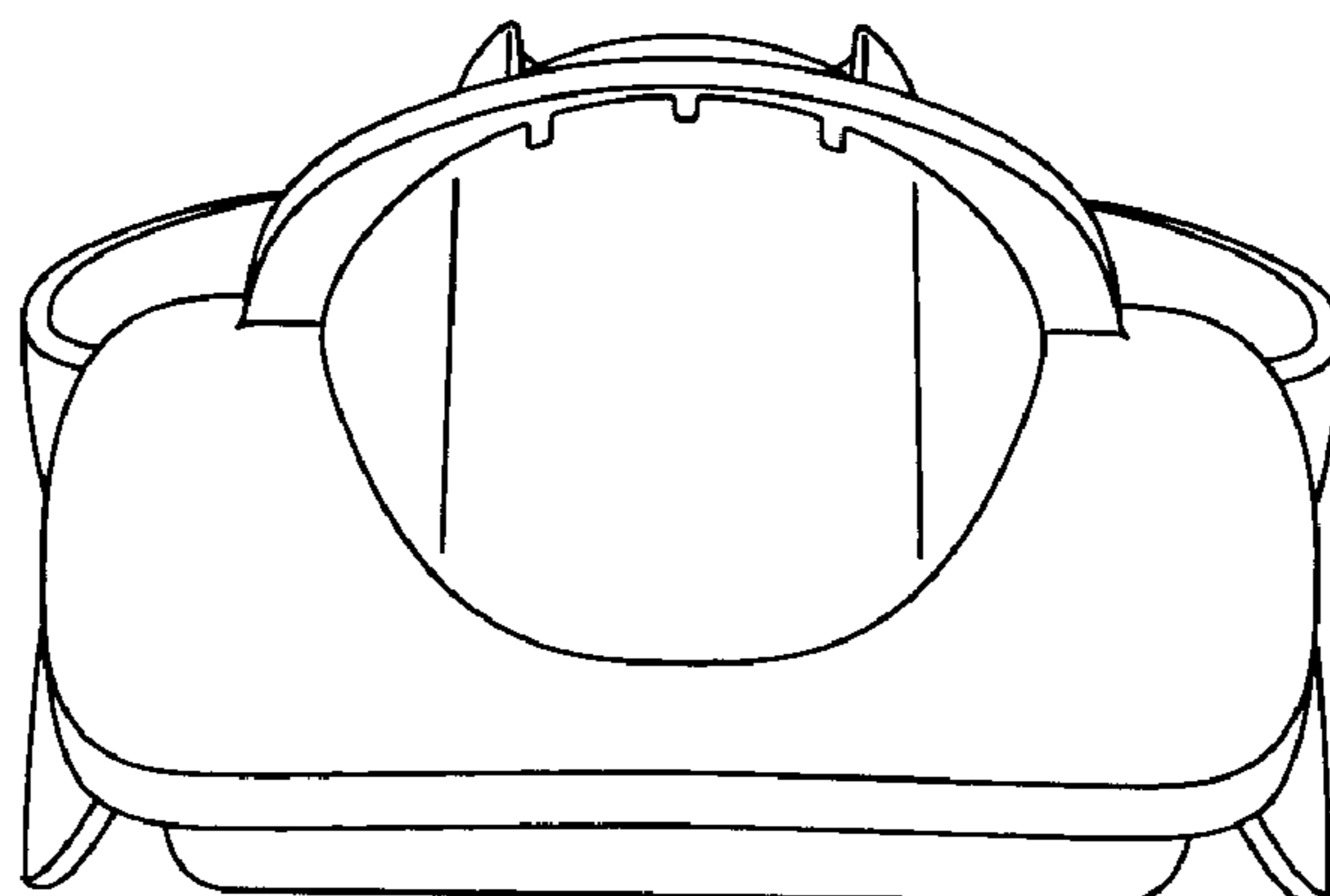


FIG. 7

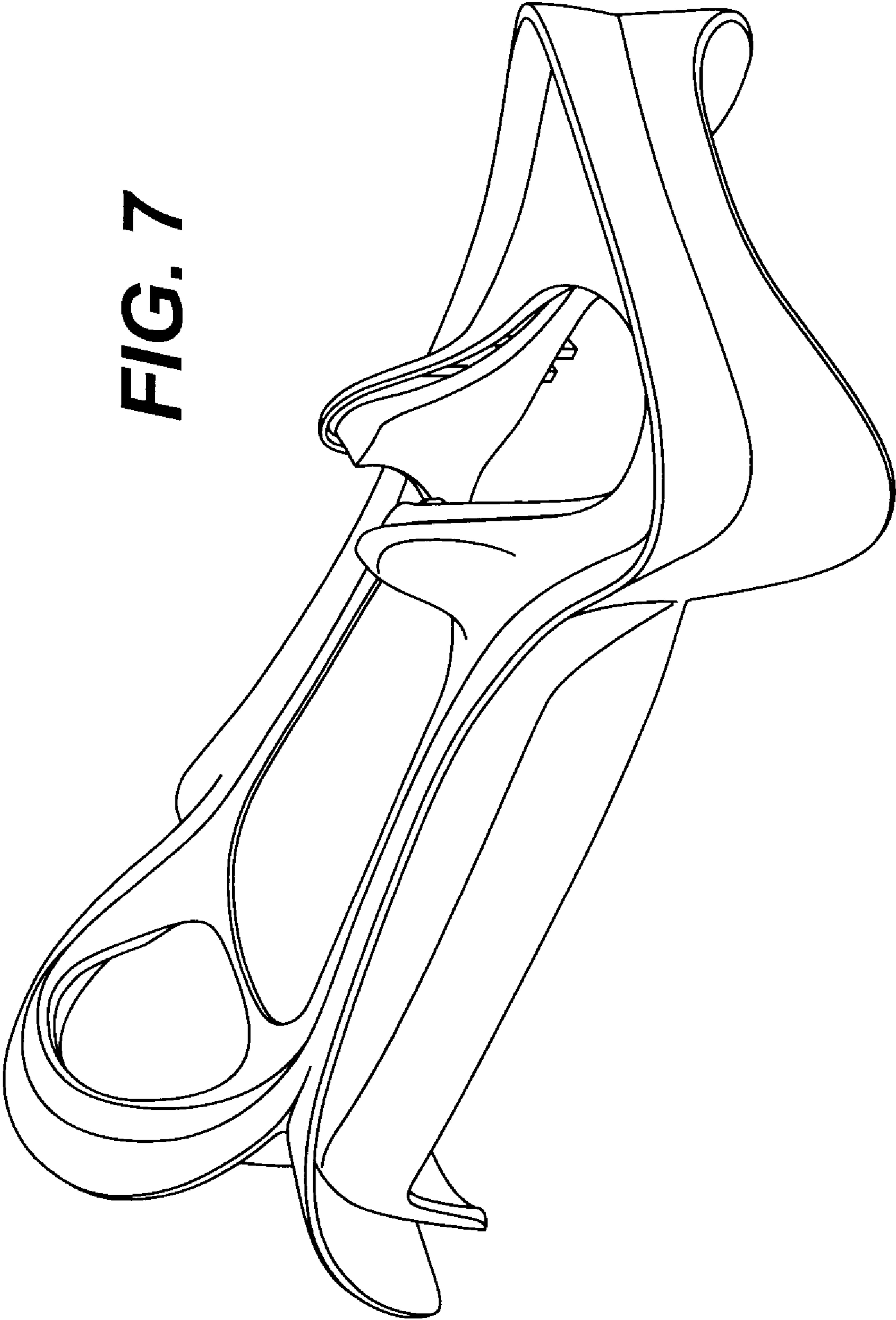


FIG. 8

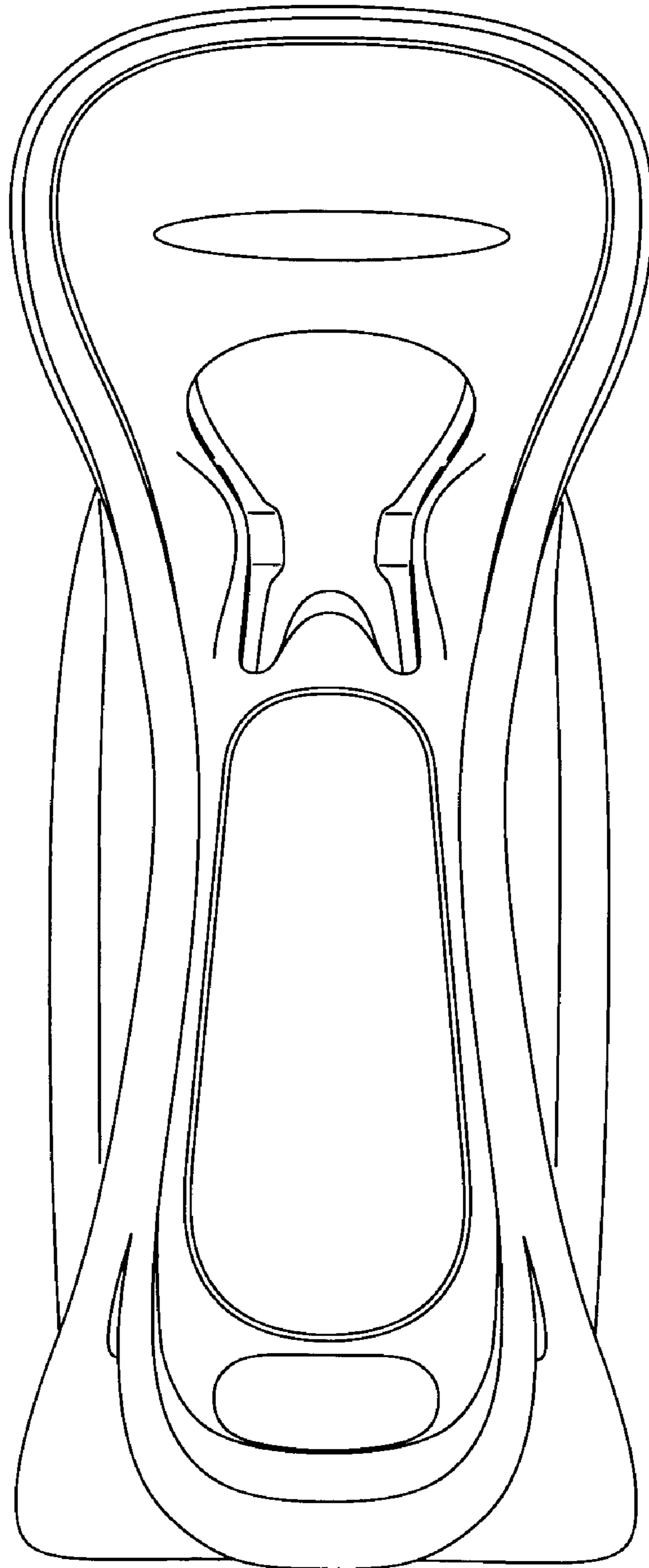


FIG. 9

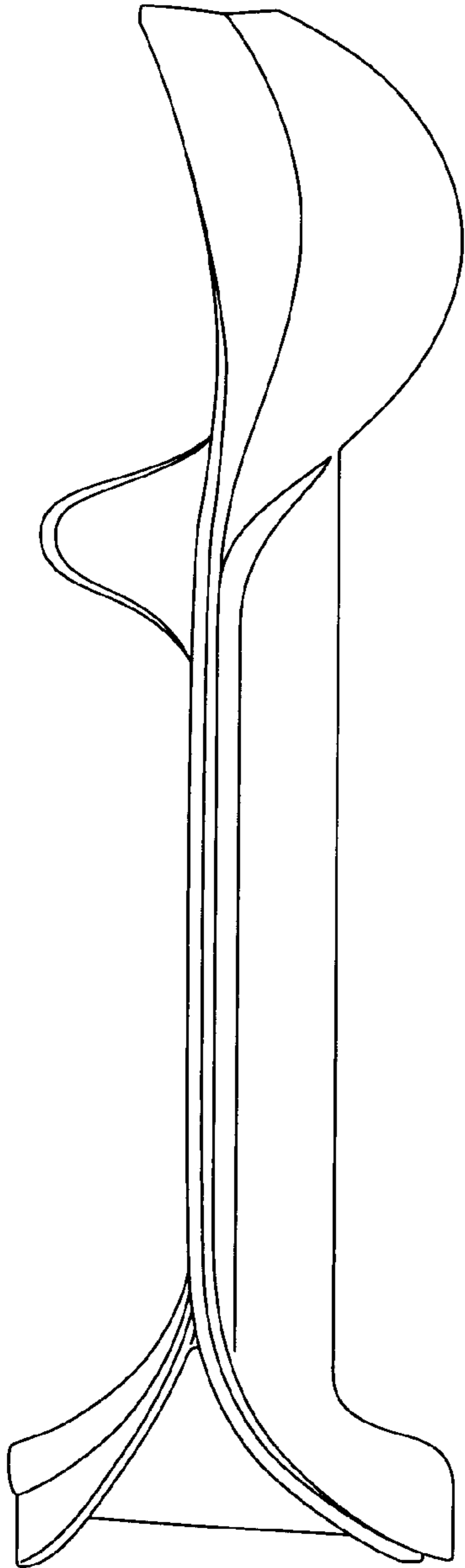


FIG. 10

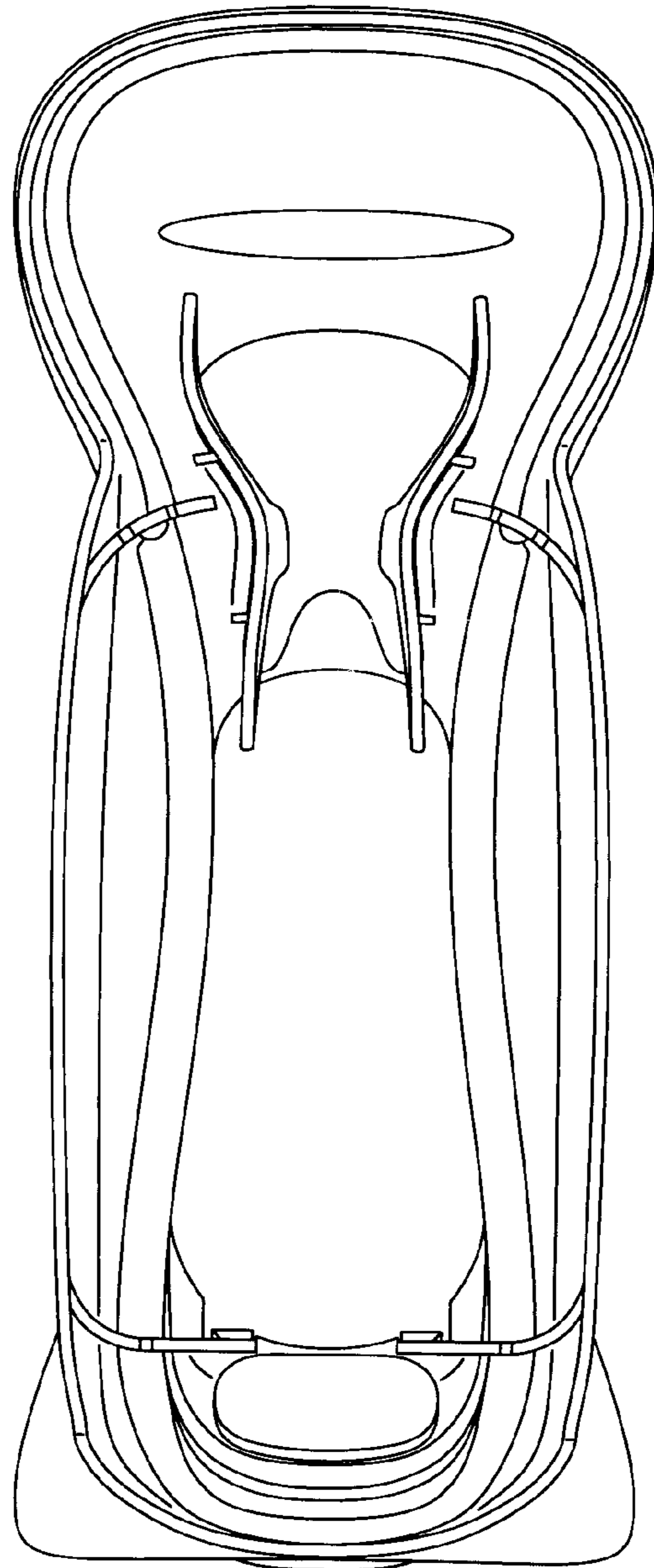


FIG. 11

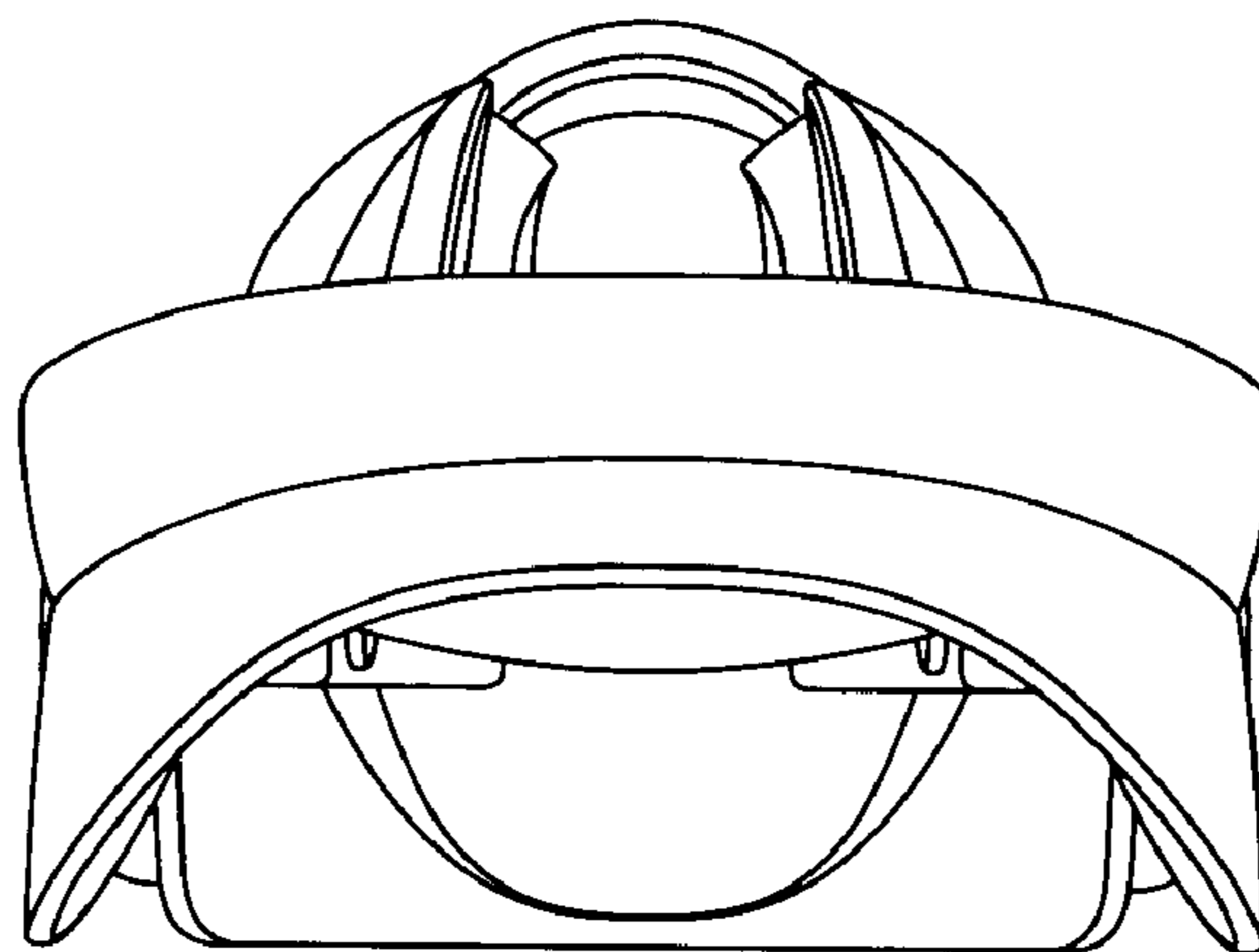


FIG. 12

