

US00D540189S

(12) **United States Design Patent**
Larocca

(10) **Patent No.:** **US D540,189 S**

(45) **Date of Patent:** **** Apr. 10, 2007**

(54) **CONTAINER**

(75) Inventor: **Michael J. Larocca**, Pittsburgh, PA
(US)

(73) Assignee: **SmithKline Beecham Corporation**,
Philadelphia, PA (US)

(**) Term: **14 Years**

(21) Appl. No.: **29/240,762**

(22) Filed: **Oct. 18, 2005**

(51) **LOC (8) Cl.** **09-01**

(52) **U.S. Cl.** **D9/738; D9/529; D9/551;**
D9/552; D9/557; D9/449

(58) **Field of Classification Search** D9/414,
D9/600, 629, 682, 684, 686-694, 737-747,
D9/516-517, 521-522, 524-526, 529-530,
D9/533, 535, 541, 547-549, 559, 561, 569,
D9/575, 435, 444, 445; D3/202; 215/6, 10,
215/381-385, 12.1; 220/660, 669, 675; D7/213,
D7/591, 629, 703, 705

See application file for complete search history.

(56) **References Cited**

U.S. PATENT DOCUMENTS

422,184 A	*	2/1890	Copleston	215/6
2,469,034 A	*	5/1949	Garris	222/142.9
D155,564 S	*	10/1949	Ackerman	D9/738
D214,768 S	*	7/1969	Hillis	D19/23
3,667,519 A	*	6/1972	Shaddock	30/263
D241,818 S	*	10/1976	Hejna	D9/737
D287,075 S	*	12/1986	Colin et al.	D6/349
D311,027 S	*	10/1990	Yuen	D19/73

D333,762 S	*	3/1993	Herren	D7/678
D339,739 S	*	9/1993	Gray	D9/692
D358,933 S	*	6/1995	Stein	D3/273
D363,981 S	*	11/1995	Muderlak	D23/366
D367,408 S	*	2/1996	Fordyce	D7/703
D390,422 S	*	2/1998	Daenen et al.	D7/615
D392,192 S	*	3/1998	Fiore	D9/529
D405,005 S	*	2/1999	Lifshey	D9/529
D422,457 S	*	4/2000	Daenen et al.	D7/615
D515,439 S	*	2/2006	Pace	D9/746

* cited by examiner

Primary Examiner—Carol Rademaker

(74) *Attorney, Agent, or Firm*—Nora Stein-Fernandez;
Theodore R. Furman; Charles M. Kinzig

(57) **CLAIM**

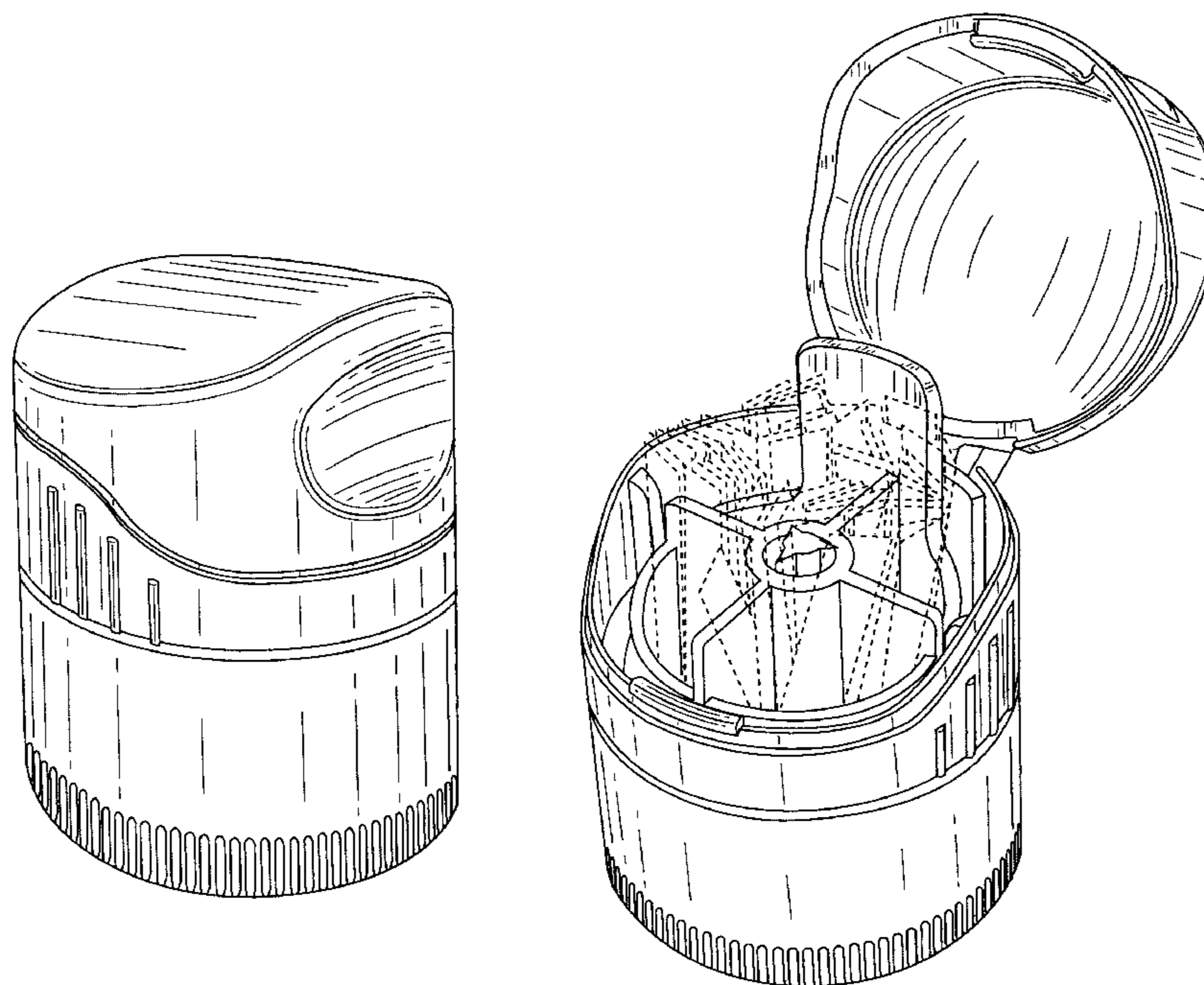
The ornamental design for the container, as shown and described.

DESCRIPTION

FIG. 1. is a perspective view of the container;
FIG. 2. is a front view of the container;
FIG. 3. is a back view of the container;
FIG. 4. is a view of the right side of the container;
FIG. 5. is a view of the left side of the container;
FIG. 6. is a top view of the container
FIG. 7. is a bottom view of the container; and,
FIG. 8. is a perspective view of the container with the lid shown in open condition.

The broken lines shown in the drawings are for environmental purposes only and form no part of the claimed design.

1 Claim, 5 Drawing Sheets



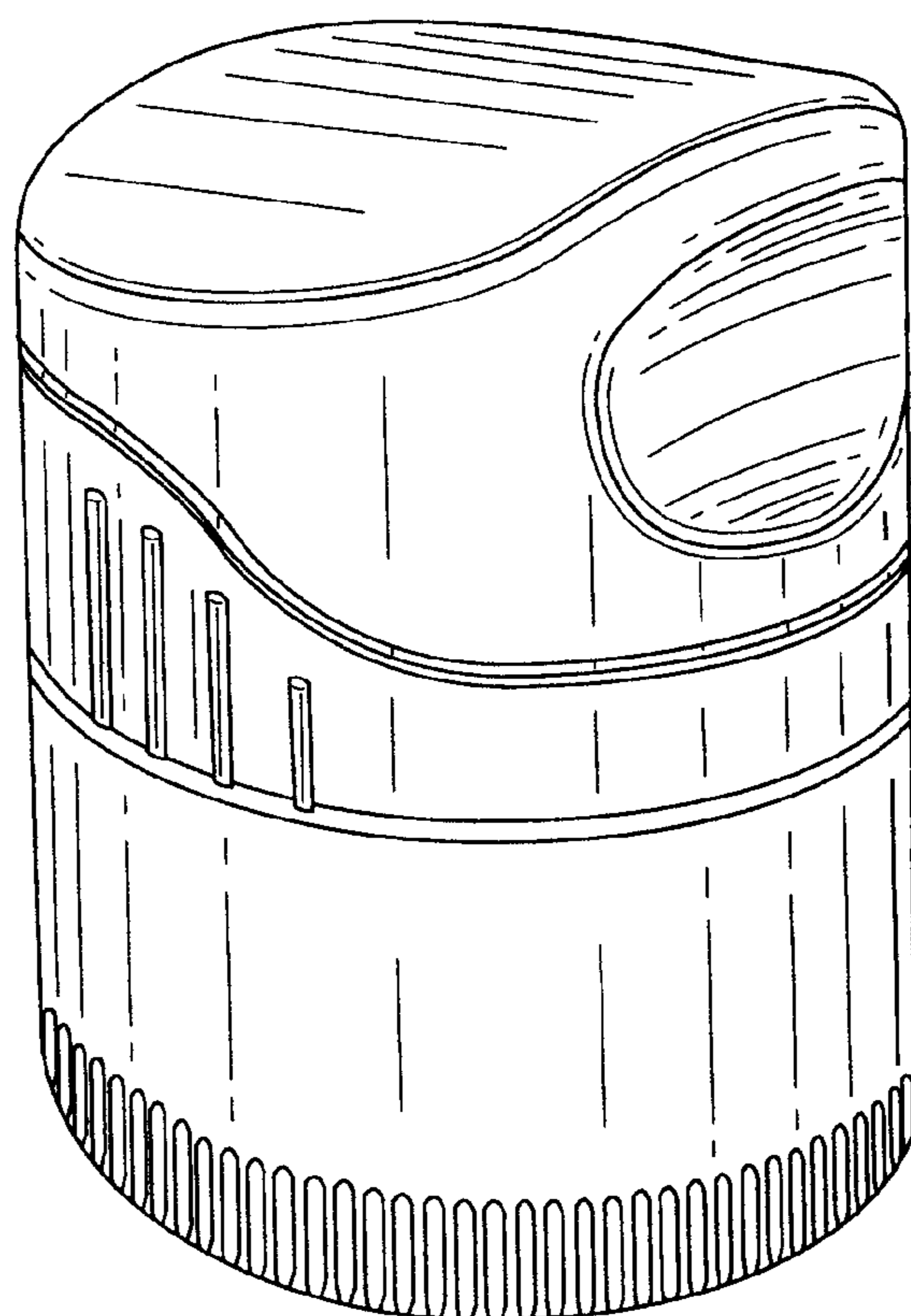


FIG. 1

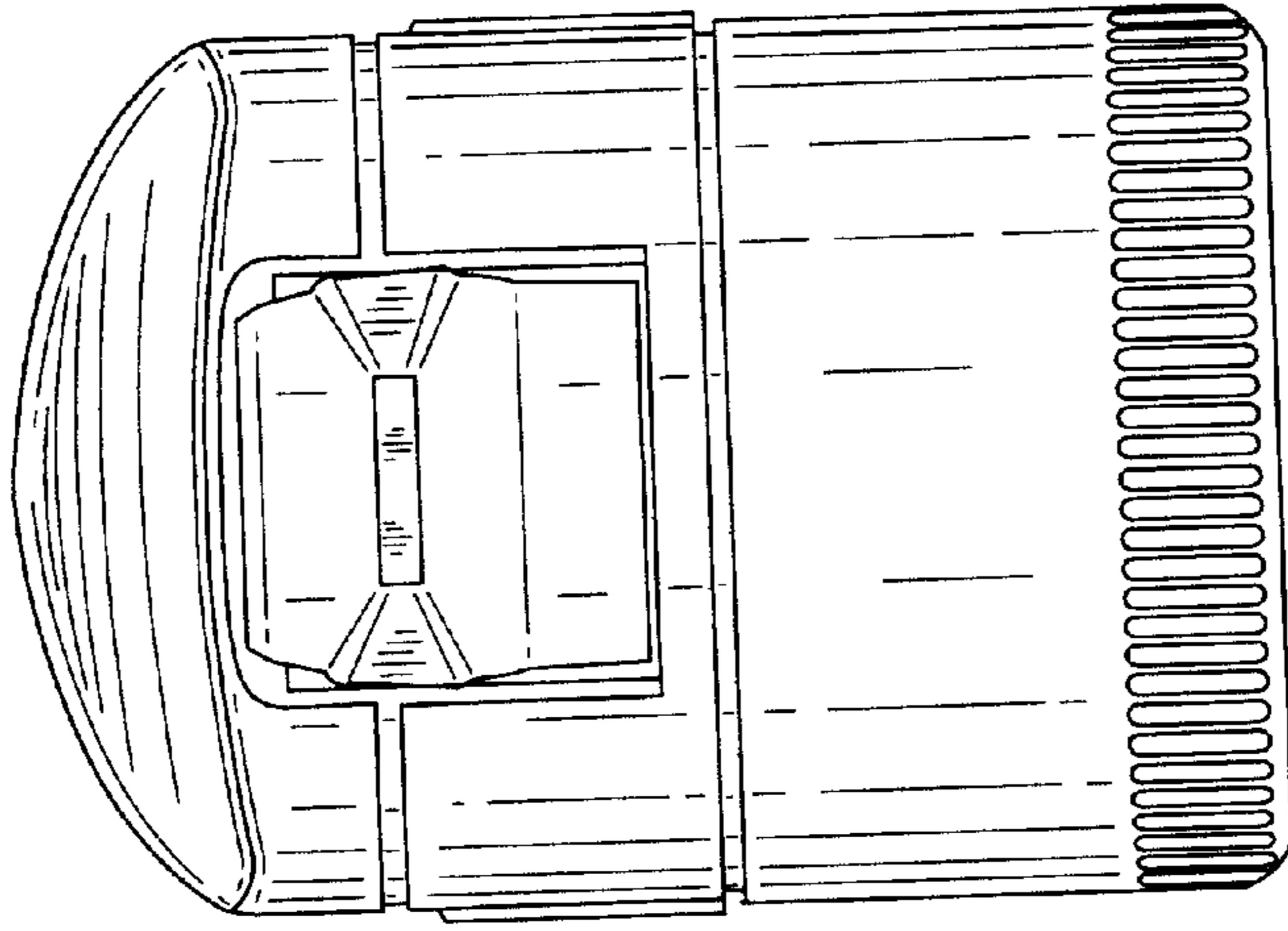


FIG. 3

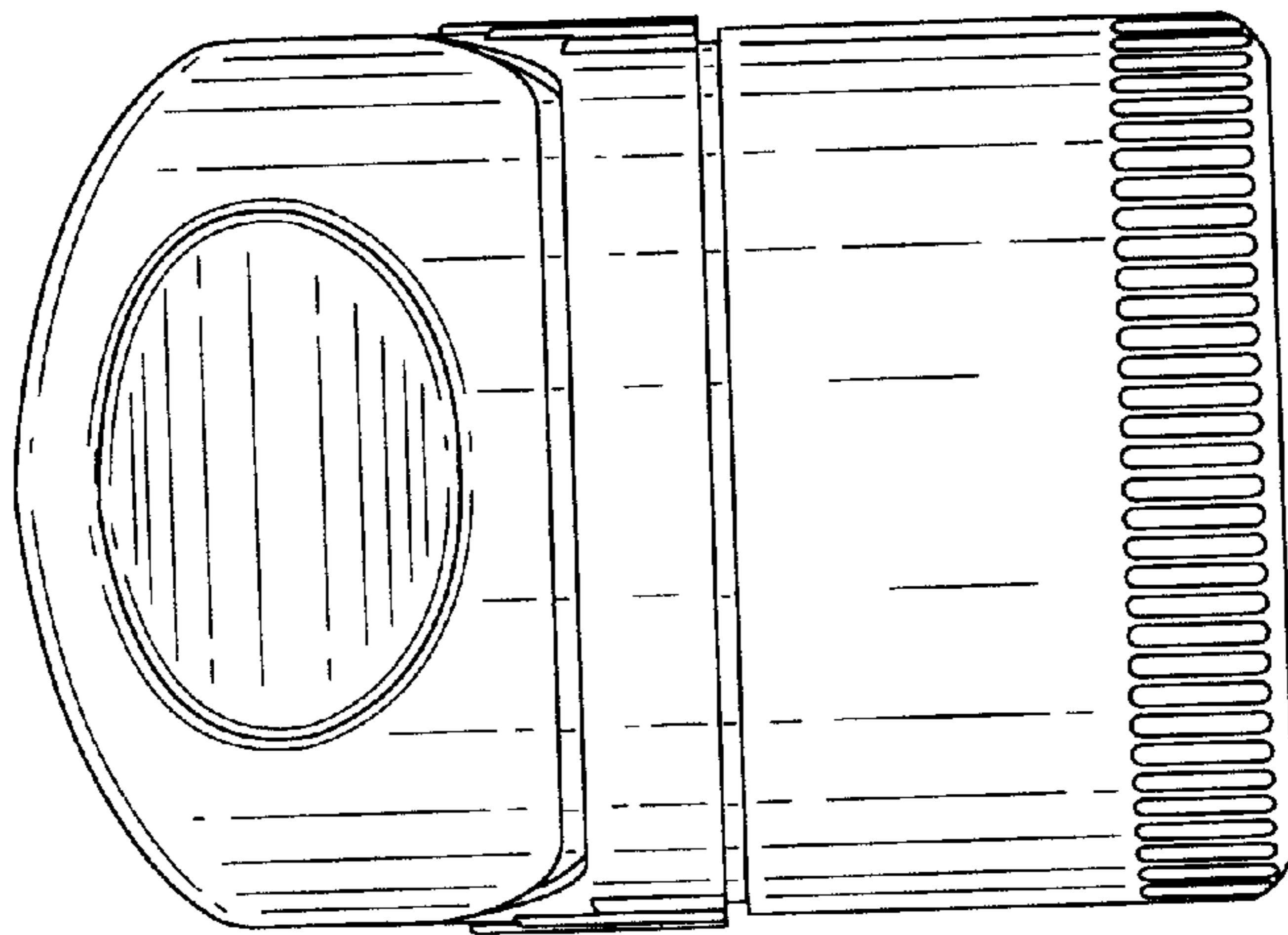


FIG. 2

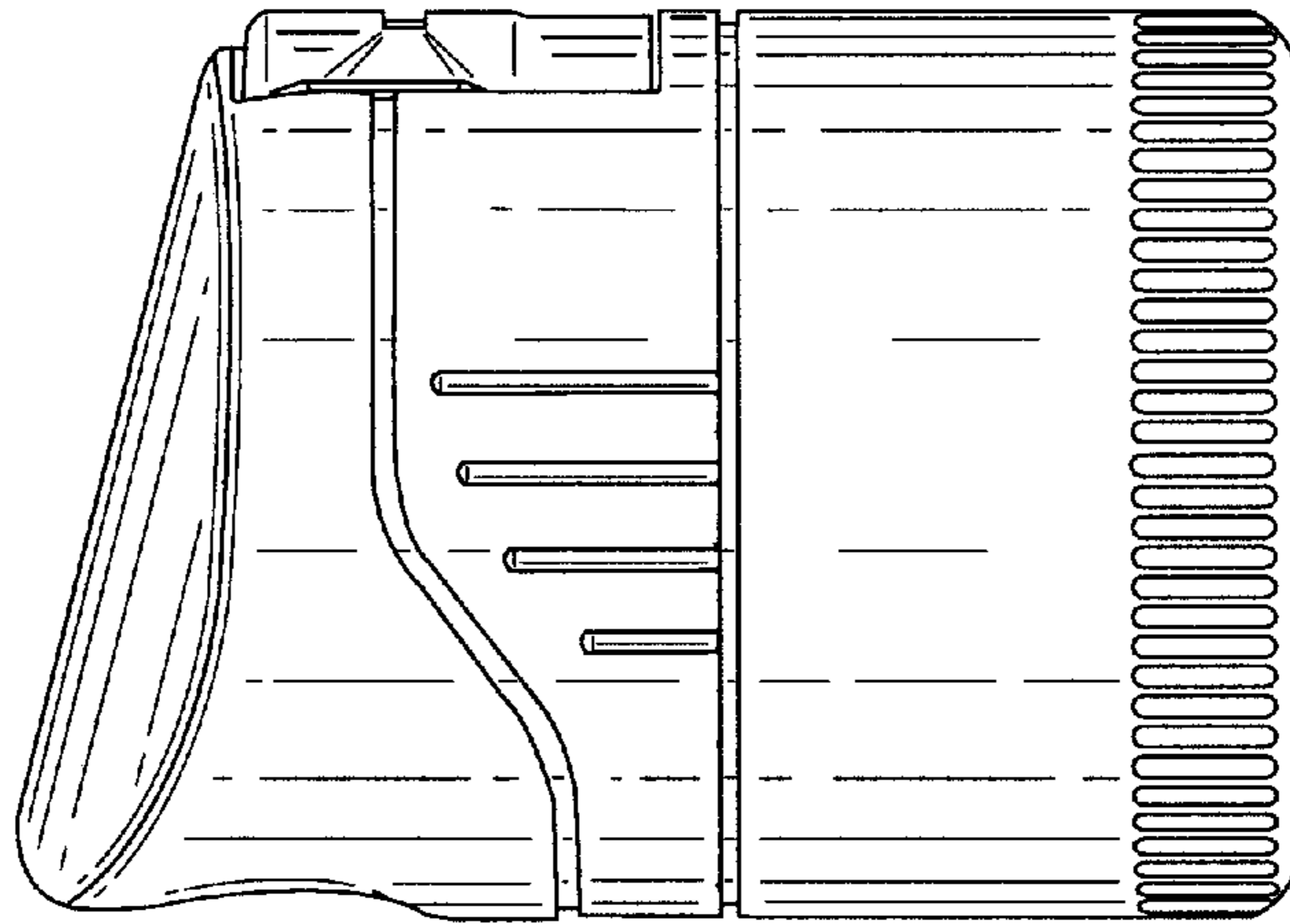


FIG. 5

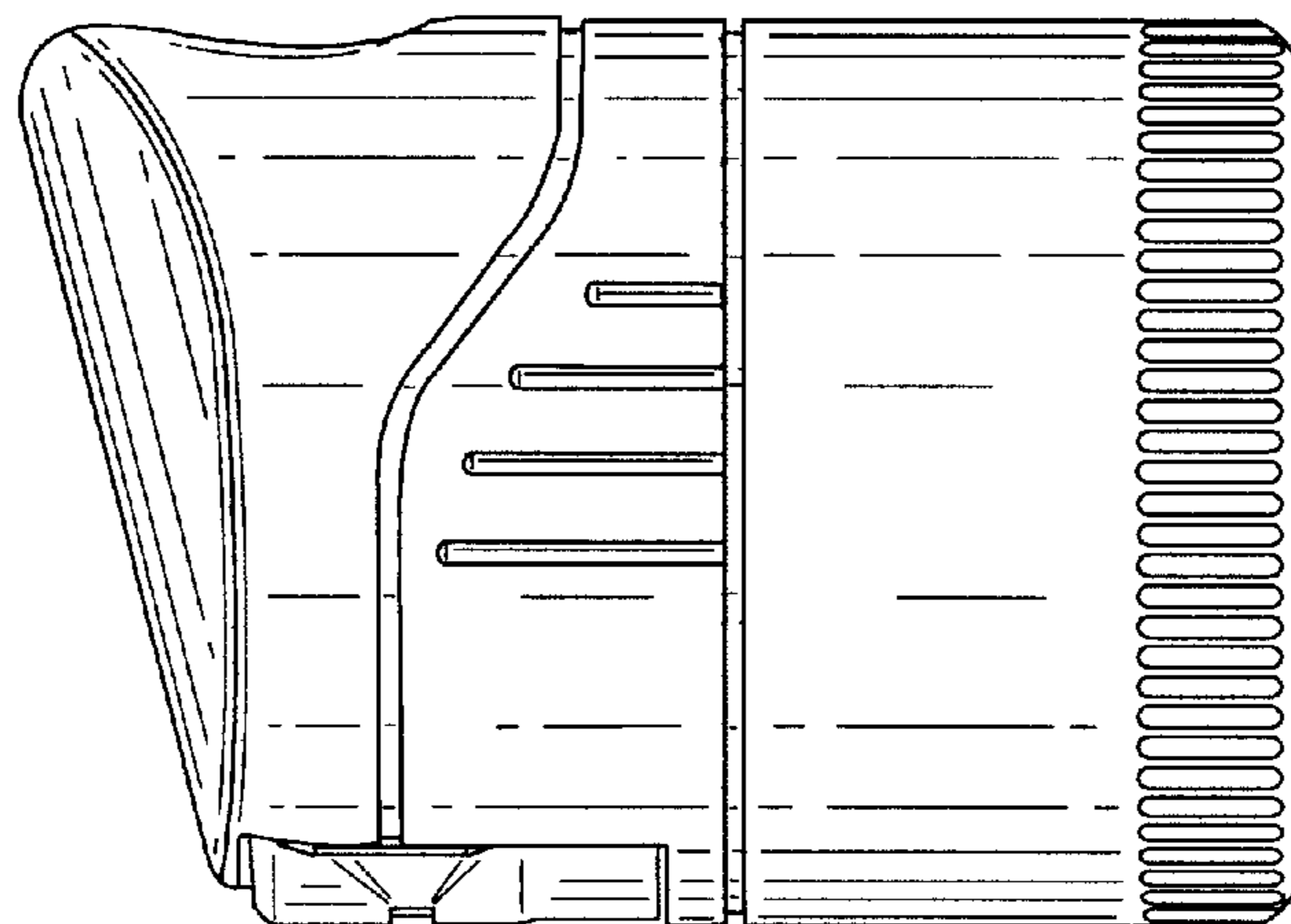


FIG. 4

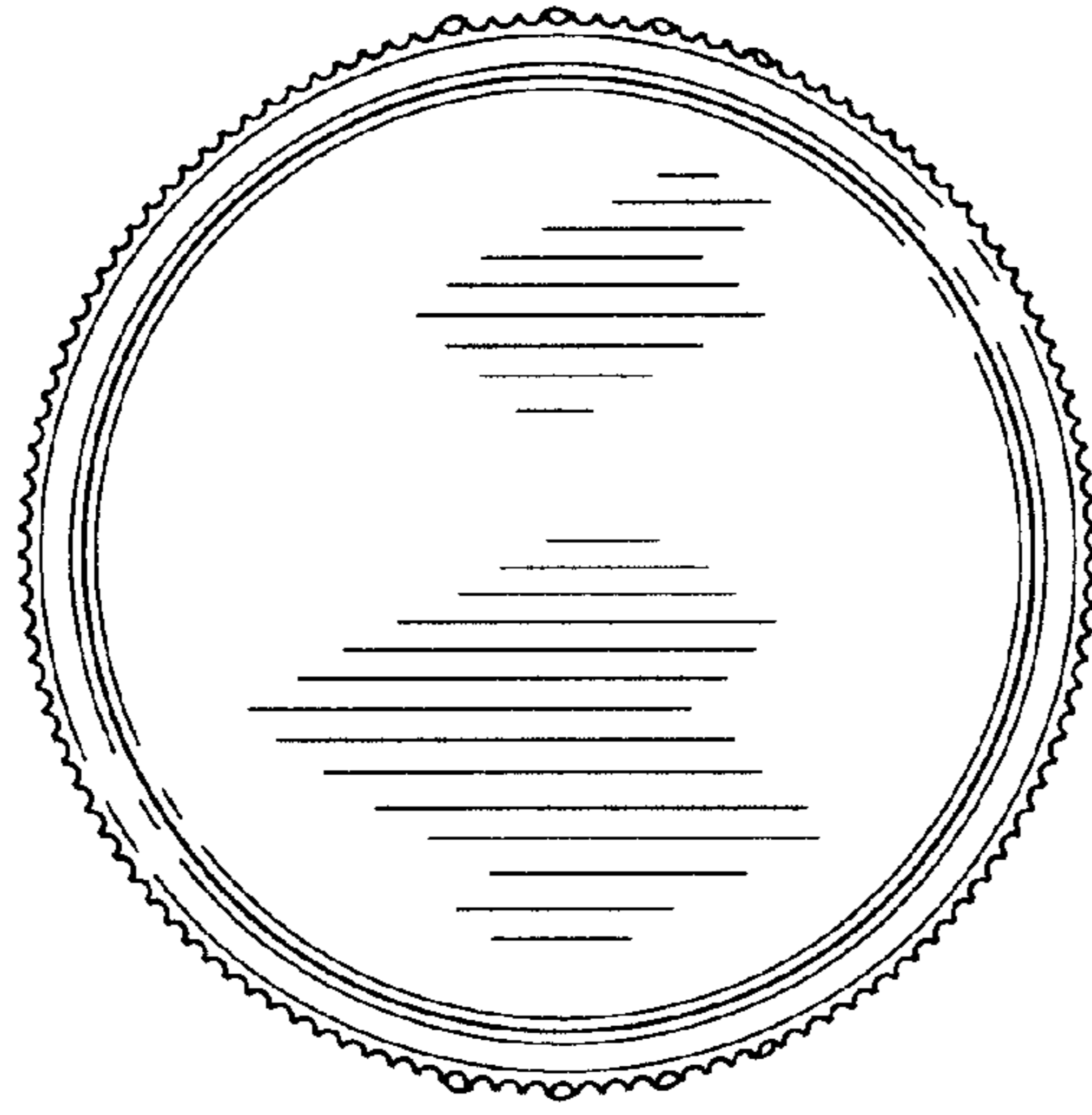


FIG. 7

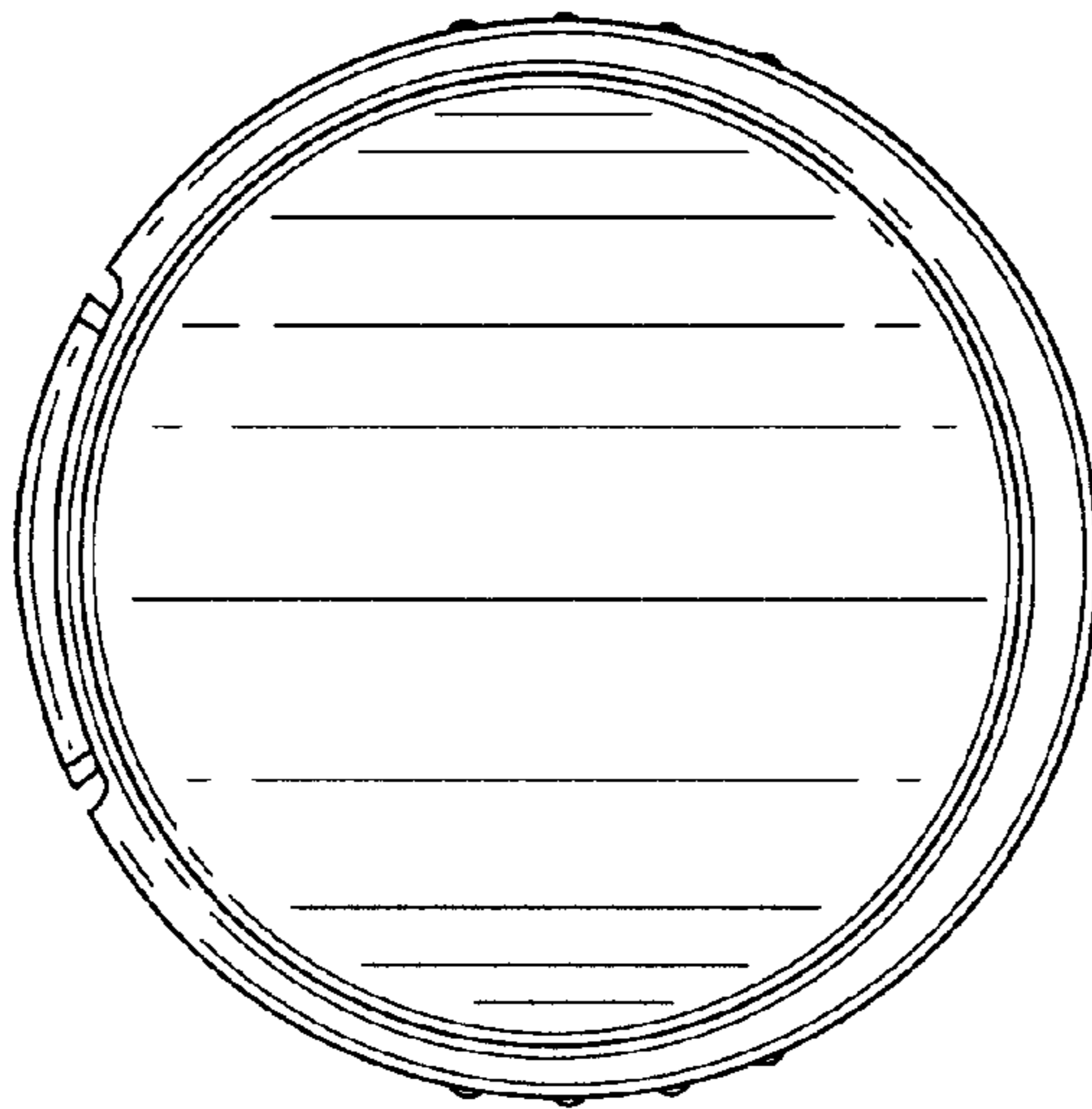


FIG. 6

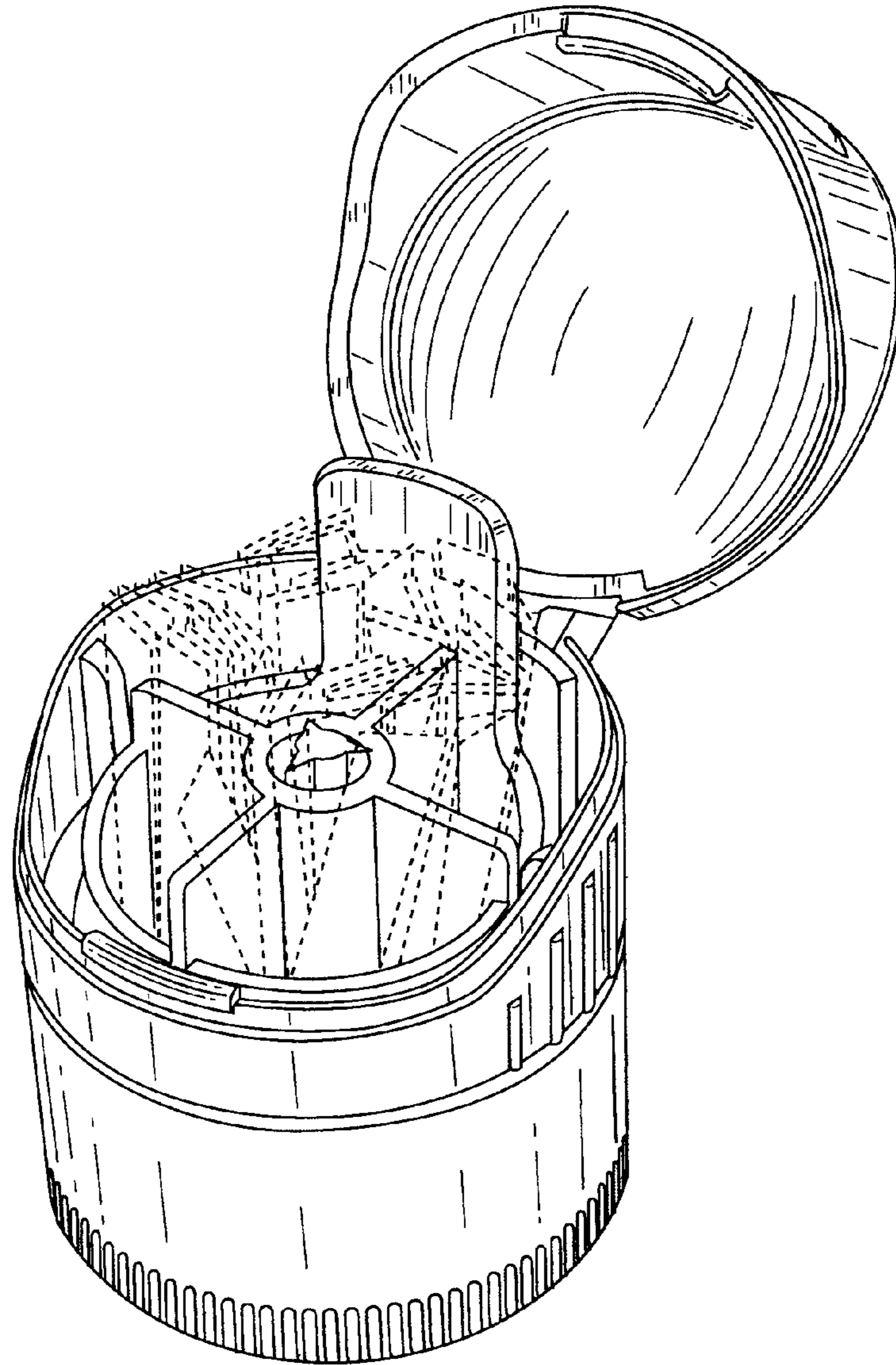


FIG. 8