



US00D540187S

(12) **United States Design Patent**
Duffy

(10) **Patent No.:** **US D540,187 S**

(45) **Date of Patent:** **** Apr. 10, 2007**

(54) **OFFERING ENVELOPE BOX**

(75) Inventor: **Eileen E. Duffy**, Youngstown, OH (US)

(73) Assignee: **Our Sunday Visitor, Inc.**, Huntington, IN (US)

(**) Term: **14 Years**

(21) Appl. No.: **29/213,346**

(22) Filed: **Sep. 16, 2004**

(51) **LOC (8) Cl.** **09-03**

(52) **U.S. Cl.** **D9/734**

(58) **Field of Classification Search** D9/730,
D9/733, 734, 414-418, 430, 432, 433; D6/512,
D6/515, 517-519, 523; 206/215, 216, 223,
206/527, 769-770, 772, 774, 775; 221/33-48;
229/100, 123.2, 123.3, 200, 122.27-31, 240,
229/243

See application file for complete search history.

(56) **References Cited**

U.S. PATENT DOCUMENTS

3,245,580	A	*	4/1966	Campanella	221/34
D244,993	S	*	7/1977	Drysdale	D9/432
D360,131	S	*	7/1995	Tudor	D9/418
D394,385	S	*	5/1998	Laughlin	D9/431
D460,689	S	*	7/2002	Robinson	D9/416

D466,345	S	*	12/2002	Ong	D6/518
D466,733	S	*	12/2002	Ong	D6/518
D504,314	S	*	4/2005	Kim	D9/416
D513,177	S	*	12/2005	Tachikawa et al.	D9/432

* cited by examiner

Primary Examiner—Stella Reid

Assistant Examiner—Shanda C. Hill

(74) *Attorney, Agent, or Firm*—George Pappas

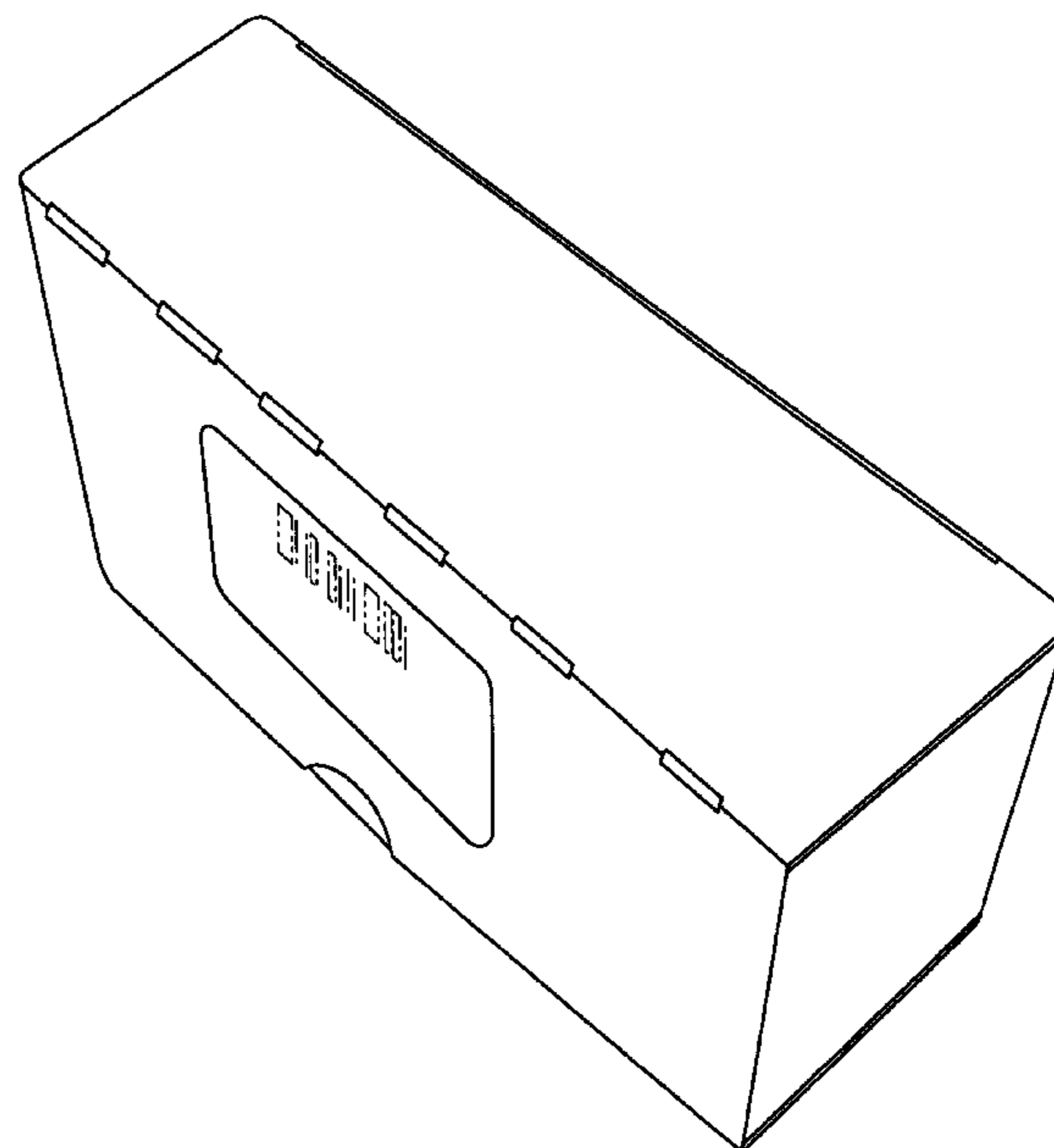
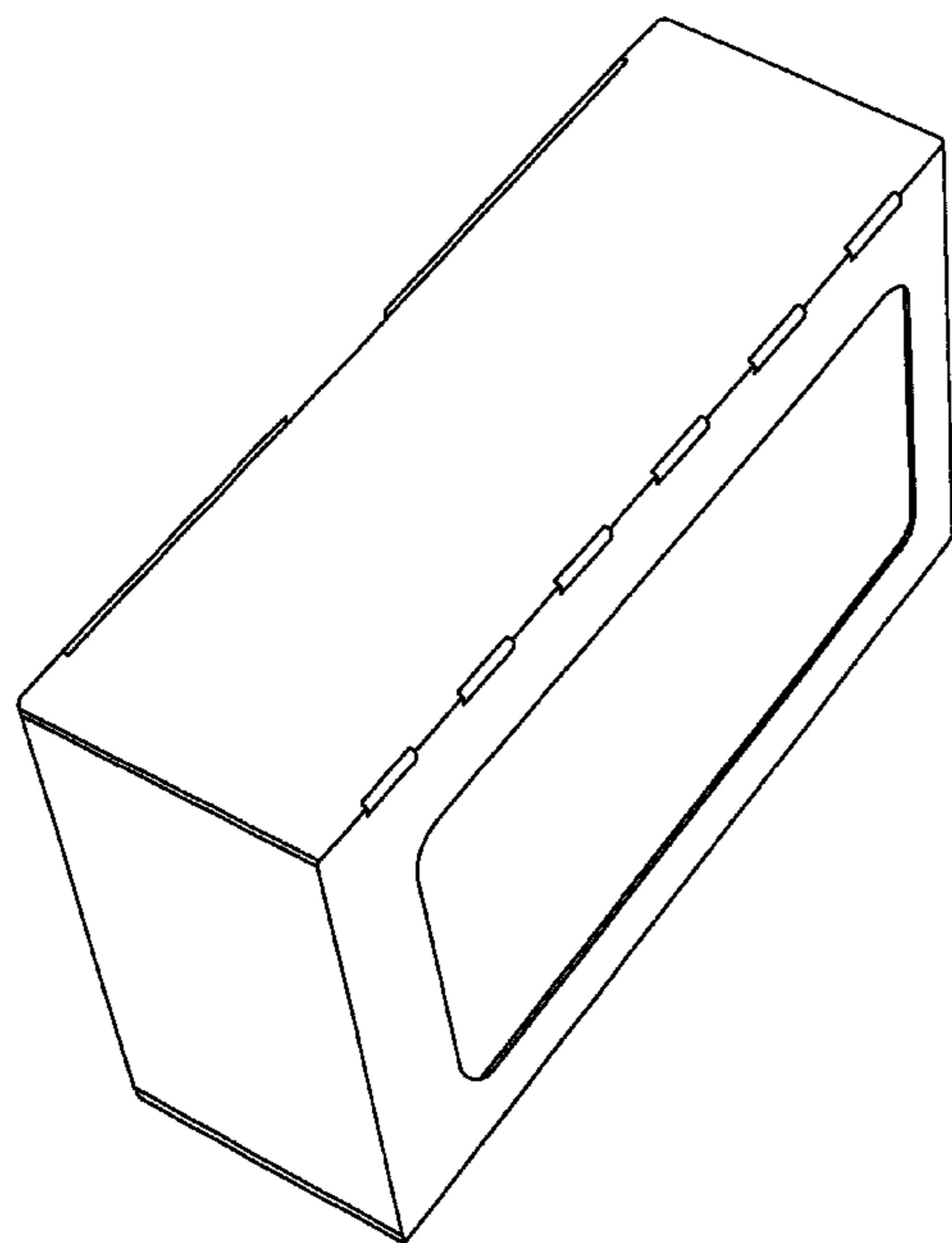
(57) **CLAIM**

I claim the ornamental design for an offering envelope box, as shown and described.

DESCRIPTION

FIG. 1 is a top, front perspective view of an offering envelope box showing my new design; FIG. 2 is a bottom, rear perspective view thereof; FIG. 3 is a front elevational view thereof; FIG. 4 is a rear elevational view thereof; FIG. 5 is a top plan view thereof; FIG. 6 is a bottom plan view thereof; FIG. 7 is a side elevational view thereof; and, FIG. 8 is a side elevational view thereof, opposite FIG. 7. The broken lines shown in the drawing disclosure are for illustrative purposes only and form no part of the claimed design.

1 Claim, 4 Drawing Sheets



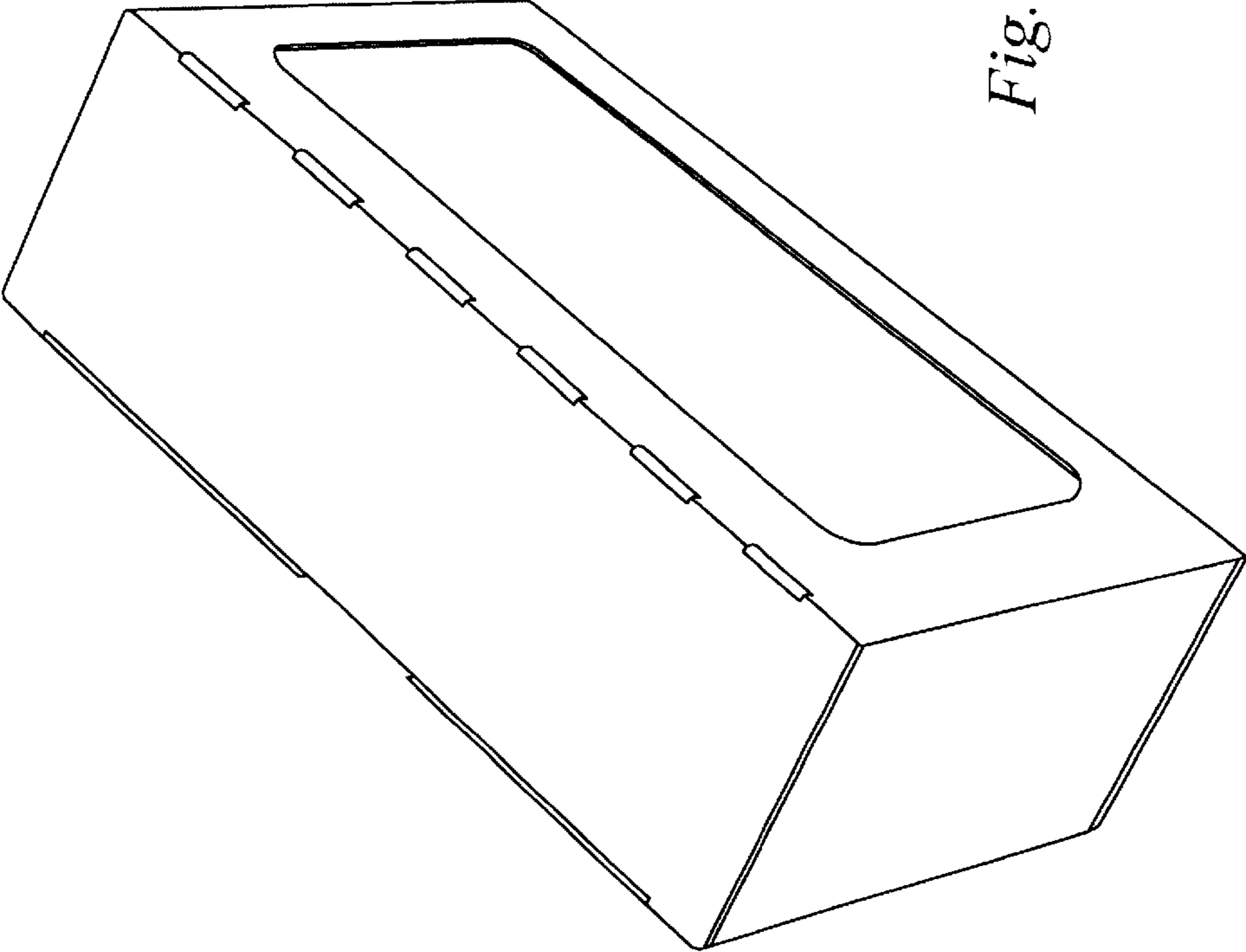


Fig. 1

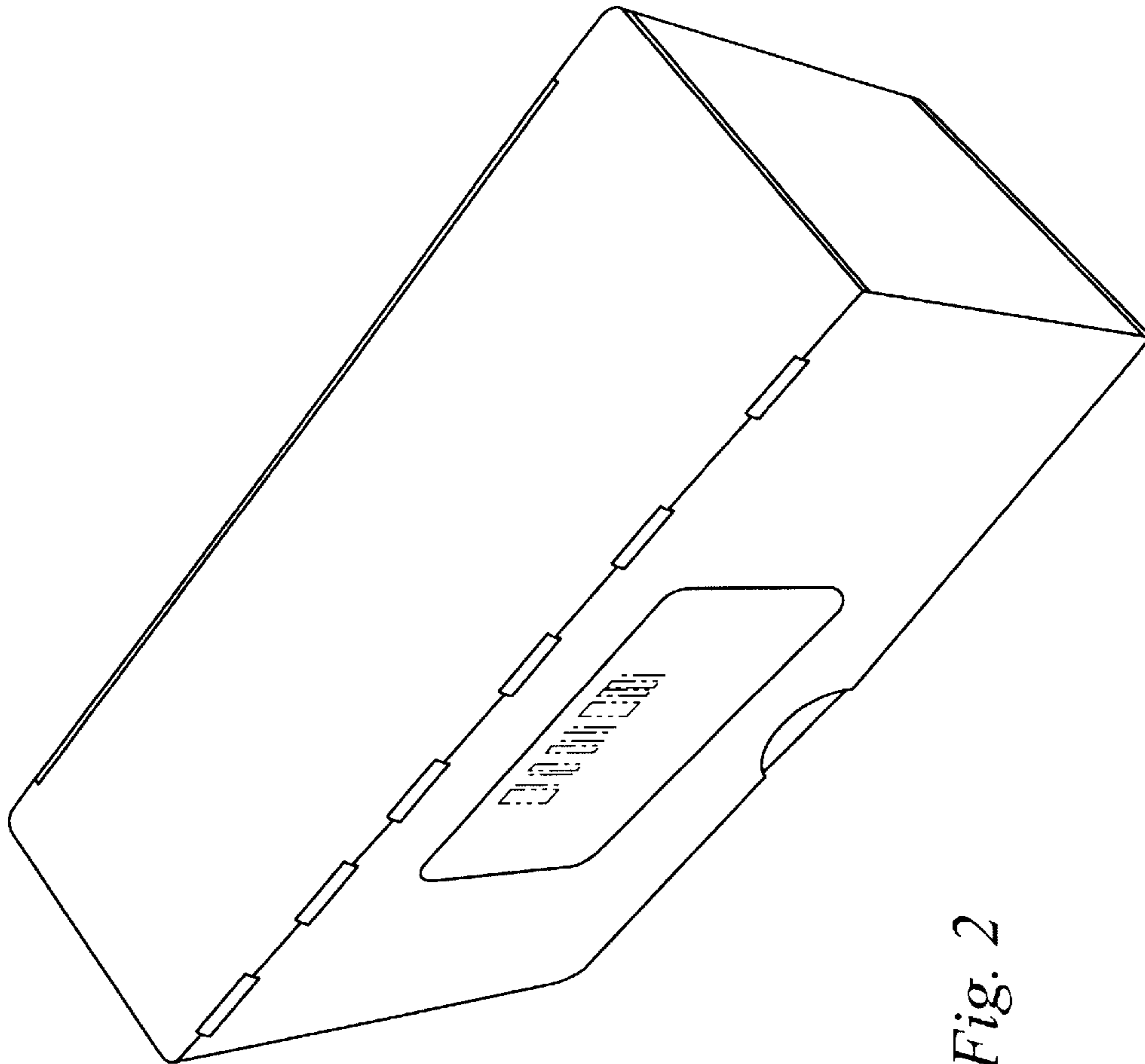


Fig. 2

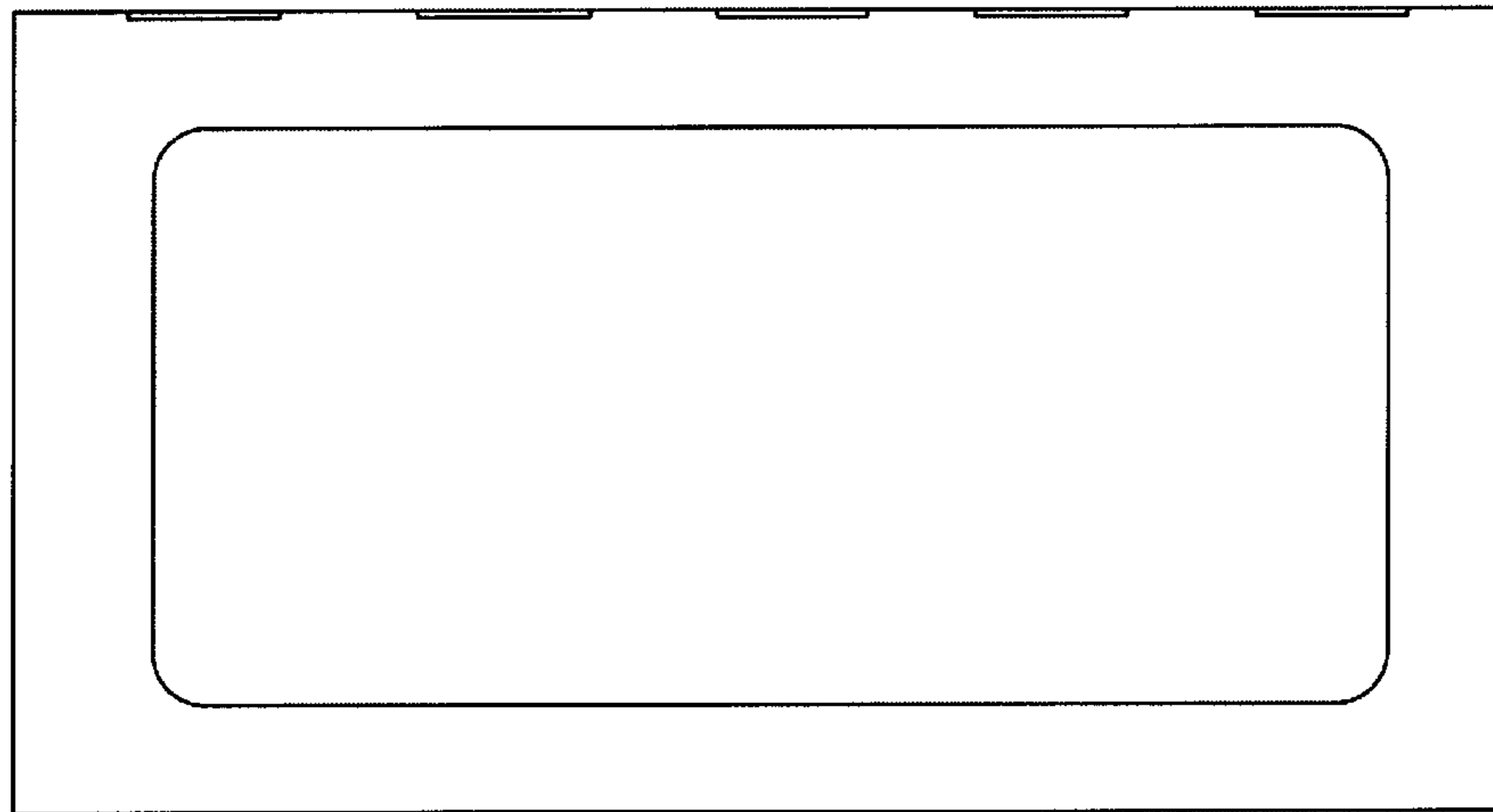


Fig. 3

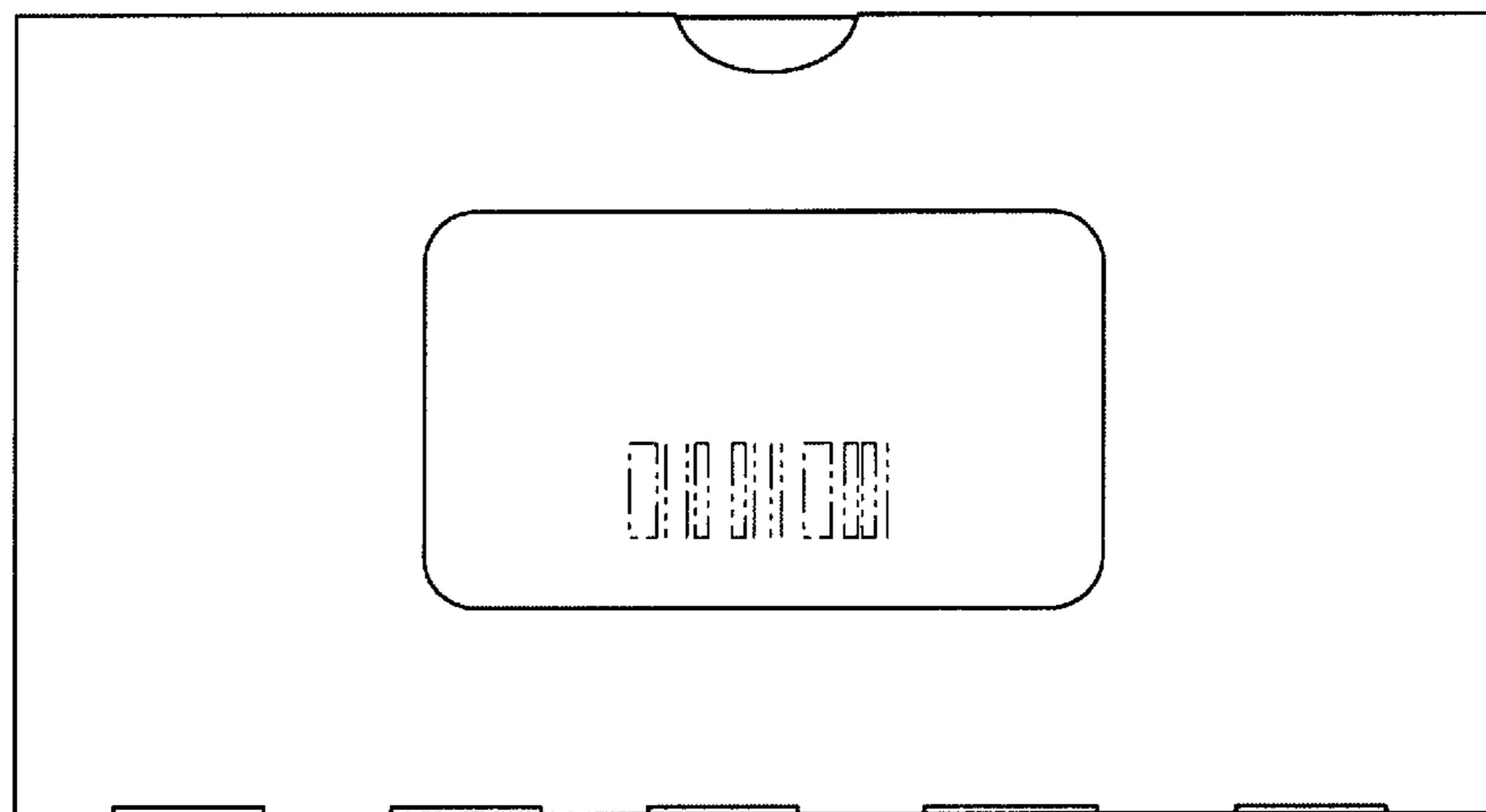


Fig. 4

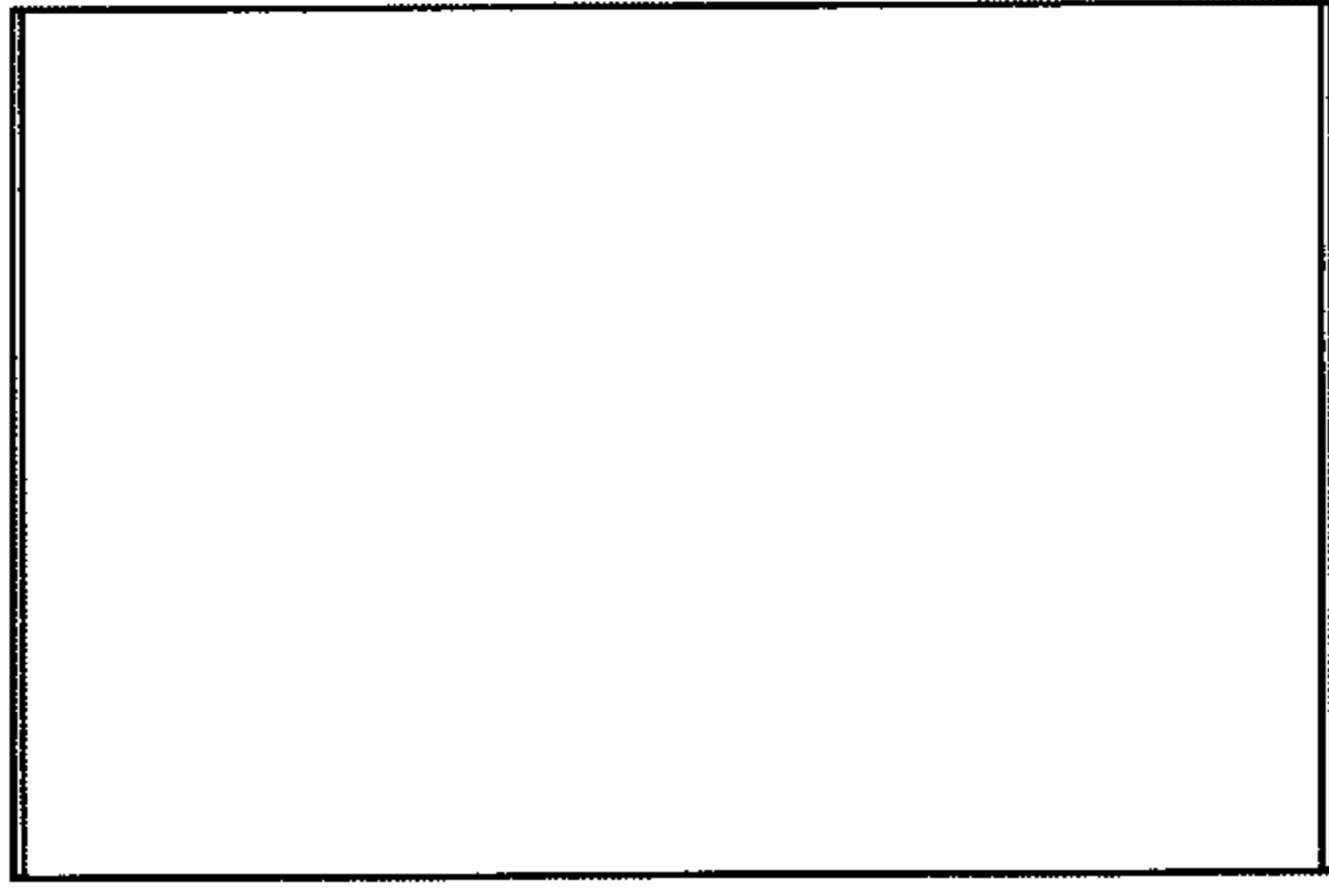


Fig. 7

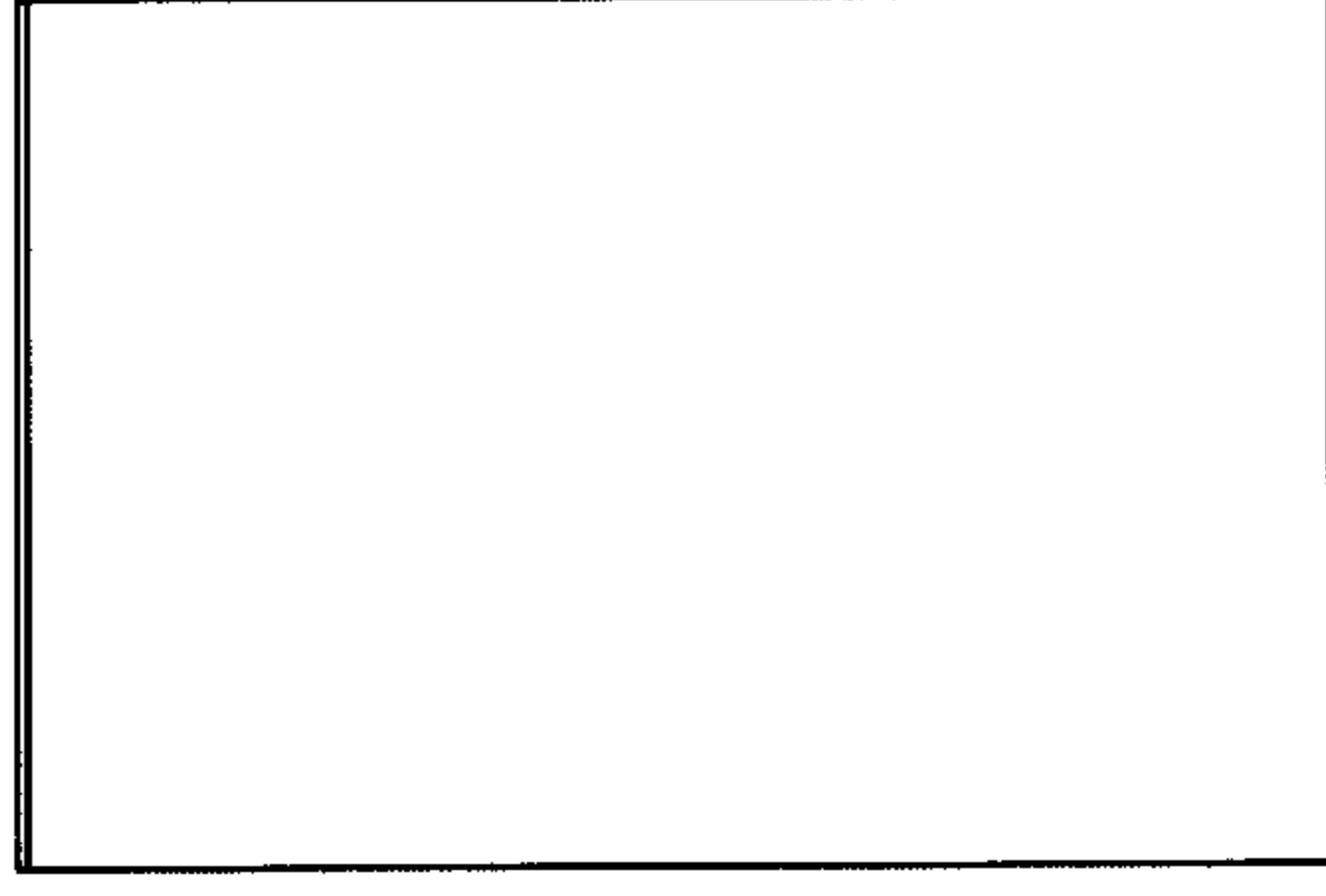


Fig. 8

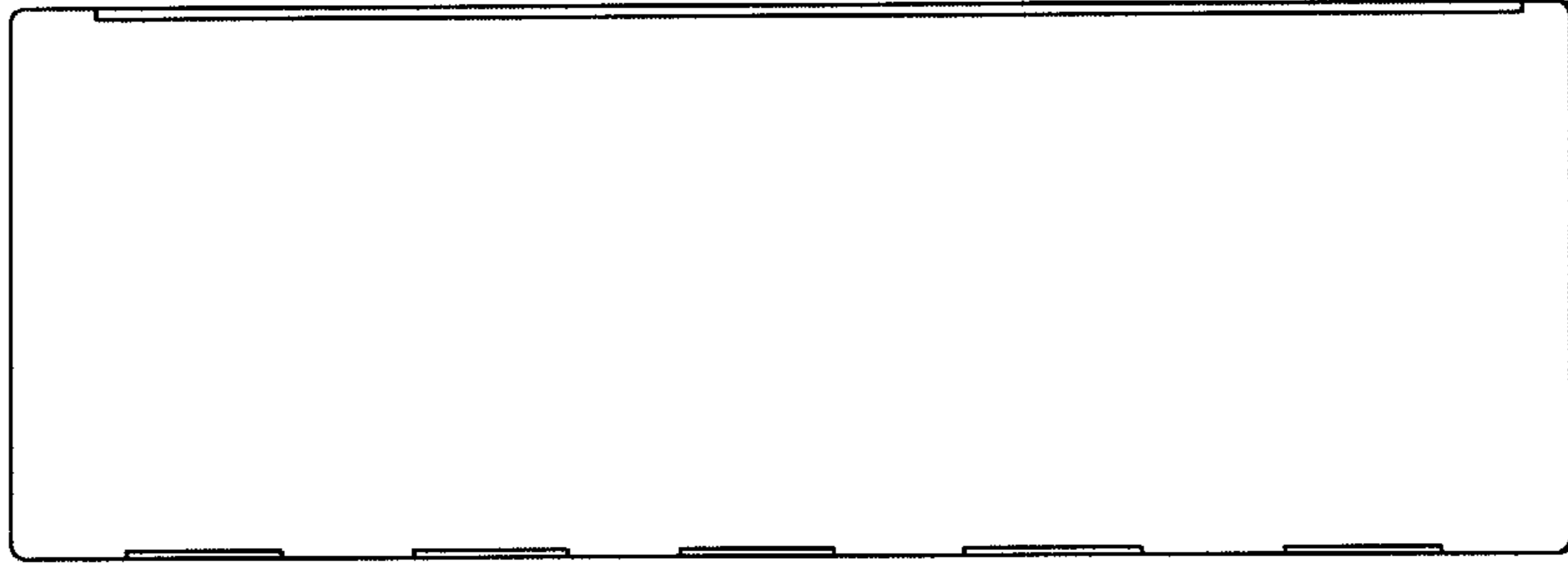


Fig. 6

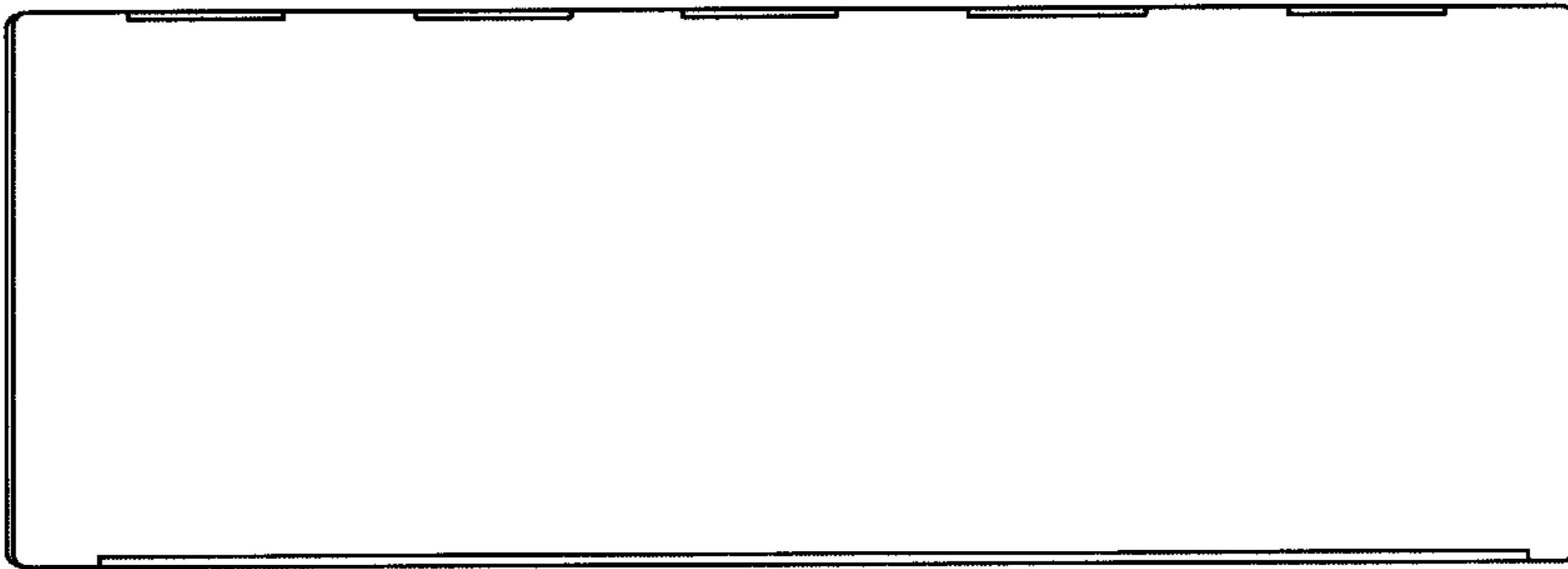


Fig. 5