



US00D540182S

(12) **United States Design Patent**  
**Weaver**

(10) **Patent No.: US D540,182 S**

(45) **Date of Patent: \*\* Apr. 10, 2007**

(54) **COFFIN JEWELRY BOX**

(75) Inventor: **David Lee Weaver**, 726 El Centro Ave., El Centro, CA (US) 92243

(73) Assignee: **David Lee Weaver**, El Centro, CA (US)

(\*\*) Term: **14 Years**

(21) Appl. No.: **29/243,539**

(22) Filed: **Nov. 28, 2005**

(51) **LOC (8) Cl.** ..... **09-01**

(52) **U.S. Cl.** ..... **D9/600; D3/271.1; D3/903; D99/1**

(58) **Field of Classification Search** ..... D3/270-271.1, D3/271.7, 297-298, 903; D9/600, 642, 414-423, D9/430-433; D99/1, 2, 7, 17; 206/6.1, 457, 206/459.7, 822-823; 220/890  
See application file for complete search history.

(56) **References Cited**

**U.S. PATENT DOCUMENTS**

4,212,386	A	*	7/1980	Maisonneuve	.....	206/457
D313,745	S	*	1/1991	Akman	.....	D9/600
D353,994	S	*	1/1995	Kohler	.....	D9/600
D419,260	S	*	1/2000	Manzo, Jr.	.....	D99/1

**OTHER PUBLICATIONS**

“Candy Containers for Collectors” by Debra S. Braun, 2002. p. 56, Coffin.\*

\* cited by examiner

*Primary Examiner*—Sandra L. Morris

(74) *Attorney, Agent, or Firm*—David Lee Weaver

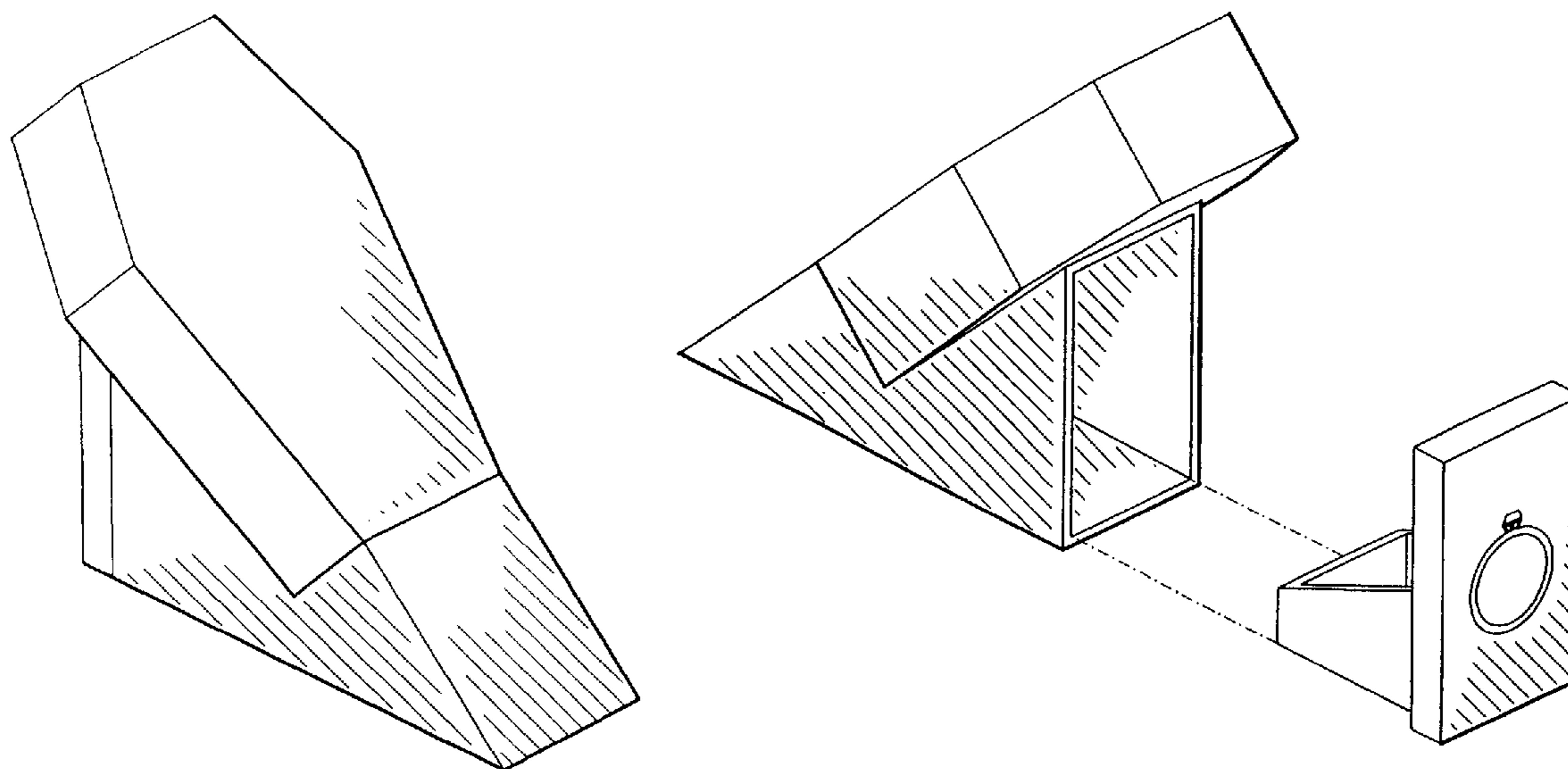
(57) **CLAIM**

The ornamental design for a coffin jewelry box, as shown and described.

**DESCRIPTION**

FIG. 1 is a front perspective view of the coffin jewelry box with the drawer closed showing my new design; FIG. 2 is a rear perspective view thereof; FIG. 3 is a front elevation view thereof; FIG. 4 is a rear elevation view thereof; FIG. 5 is a side elevation view thereof; FIG. 6 is a top plan view thereof; FIG. 7 is a bottom plan view thereof; FIG. 8 is a front perspective view of the coffin jewelry box with the drawer separated from the coffin jewelry box; and, FIG. 9 is a rear perspective view of the coffin jewelry box with the drawer separated from the coffin jewelry box.

**1 Claim, 3 Drawing Sheets**



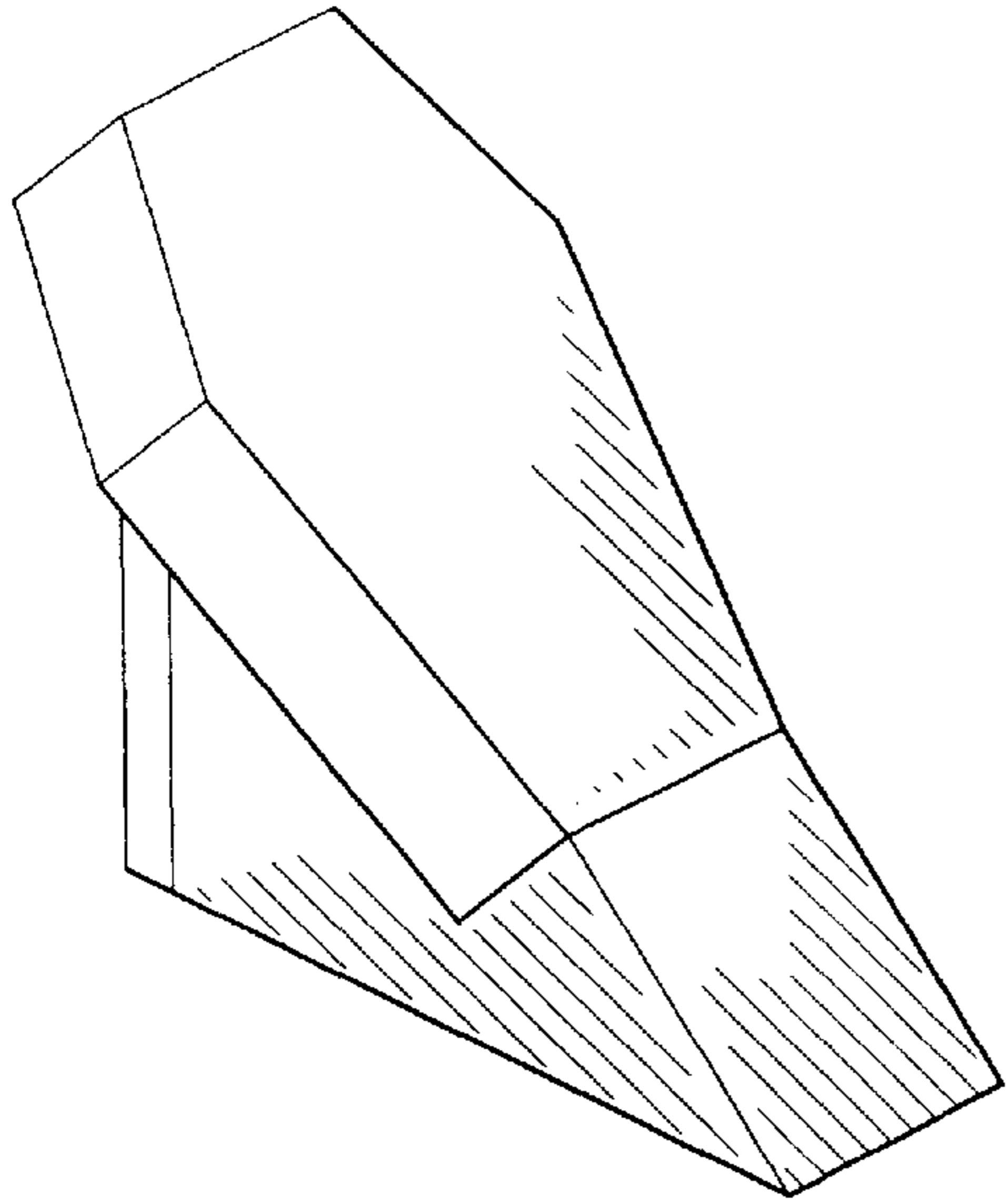


FIG. 1

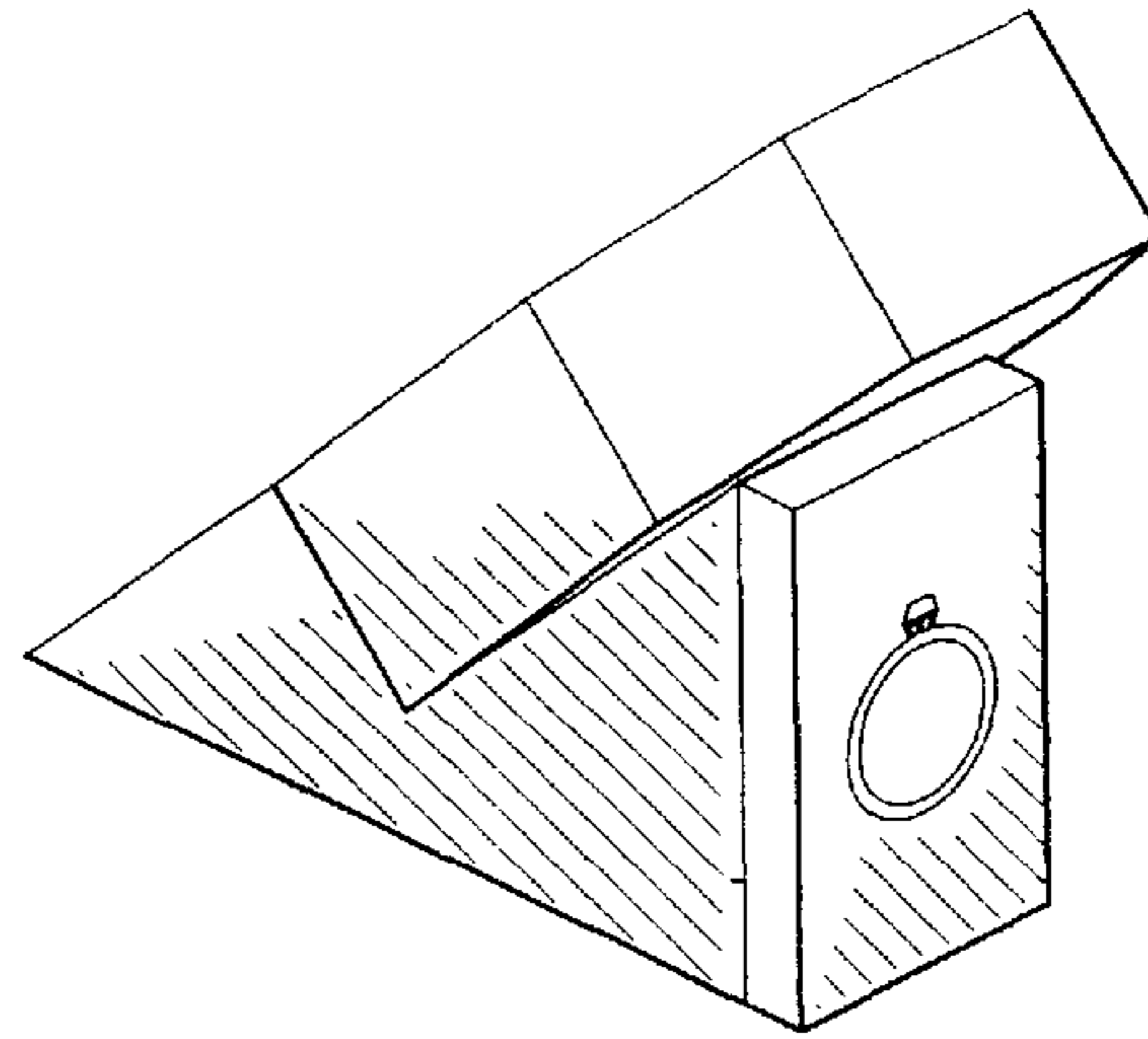


FIG. 2

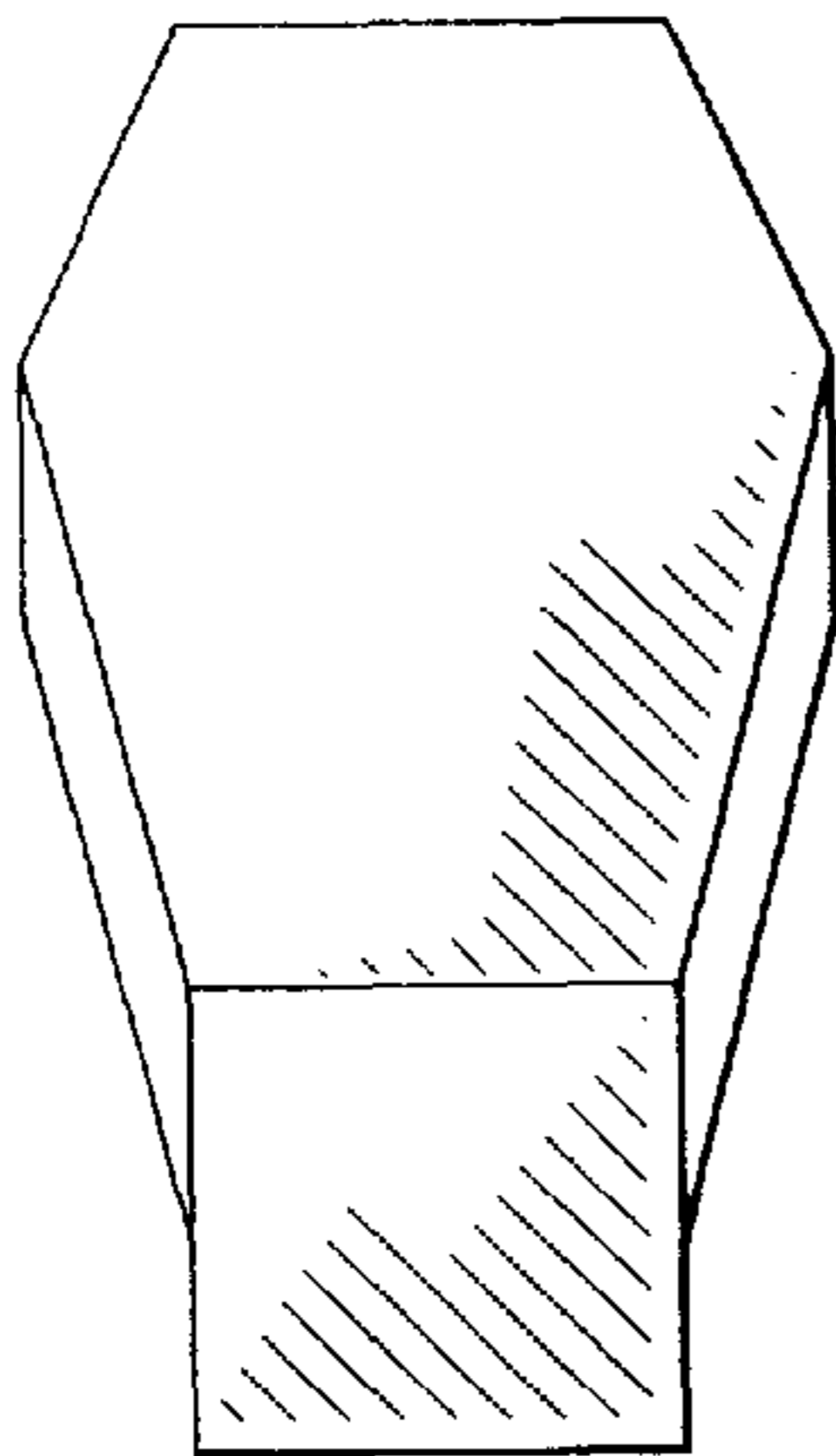


FIG. 3

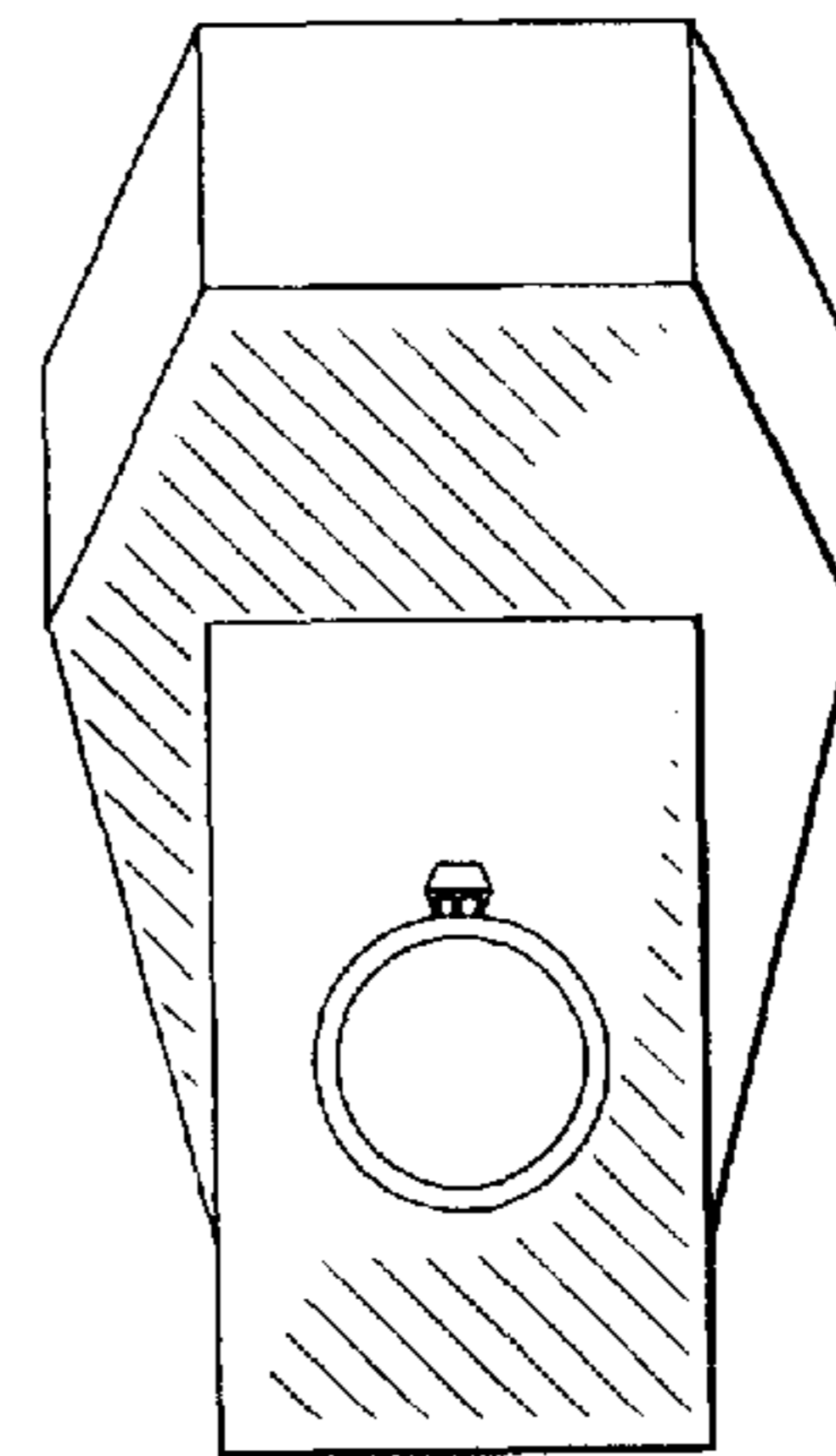


FIG. 4

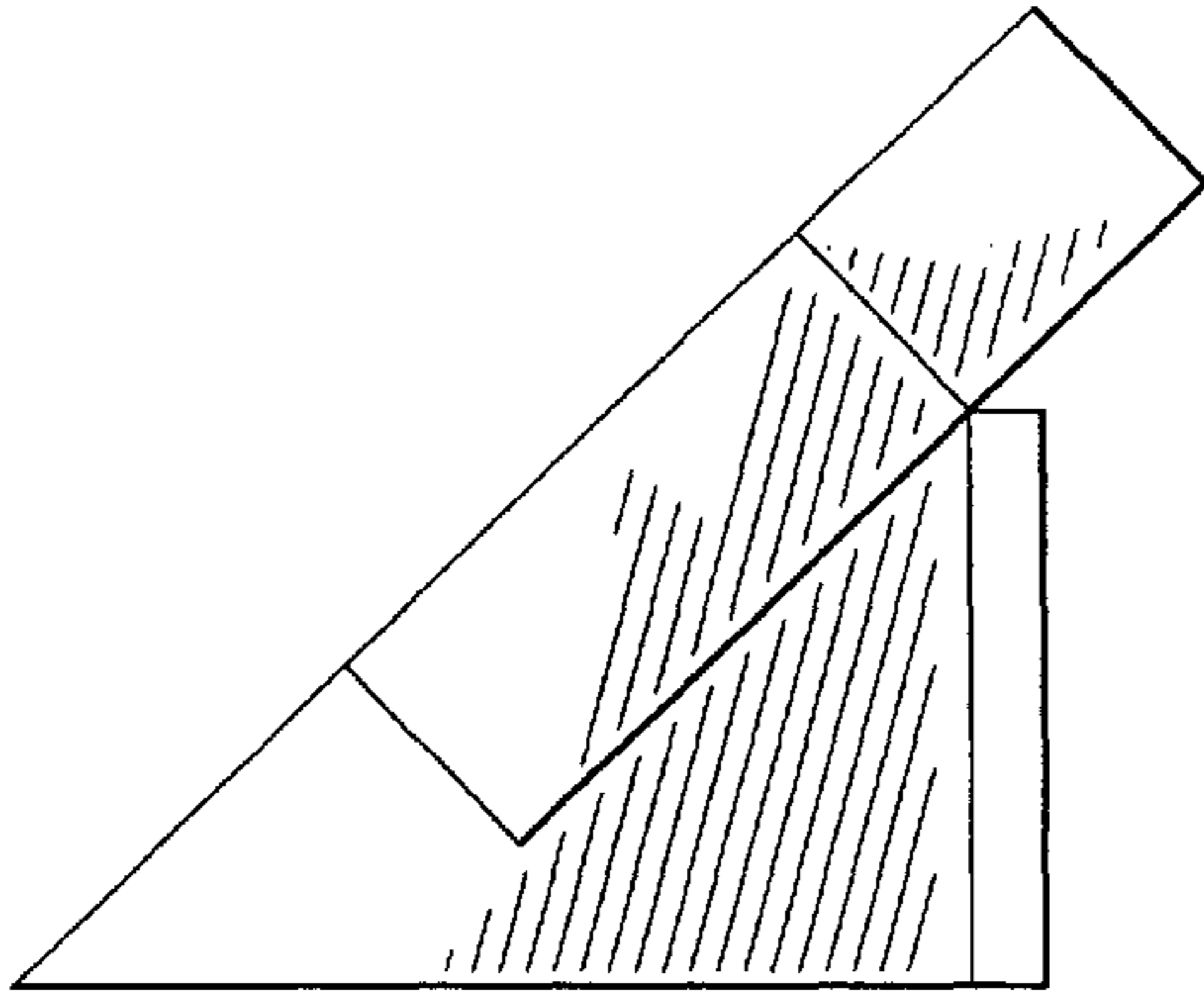


FIG. 5

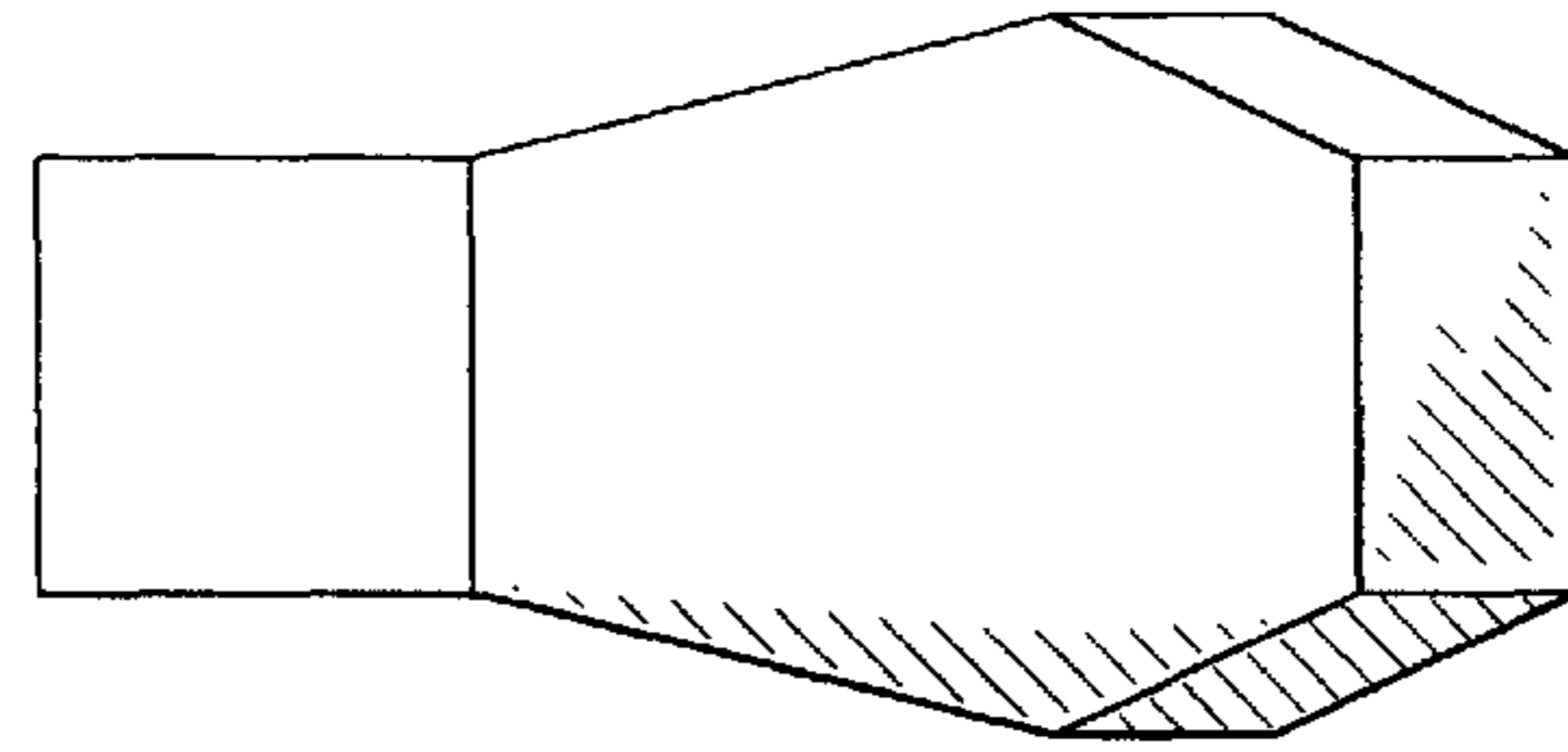


FIG. 6

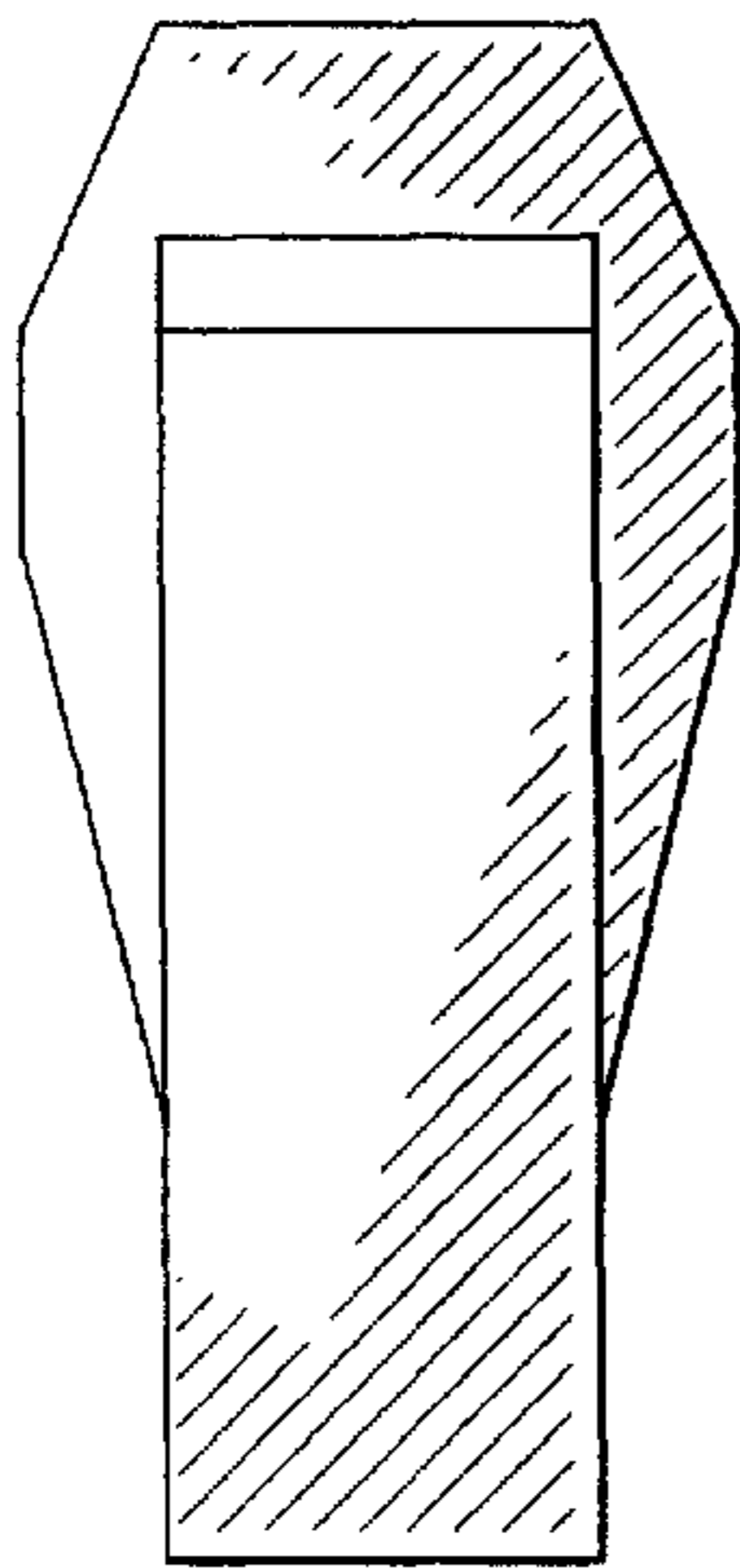


FIG. 7

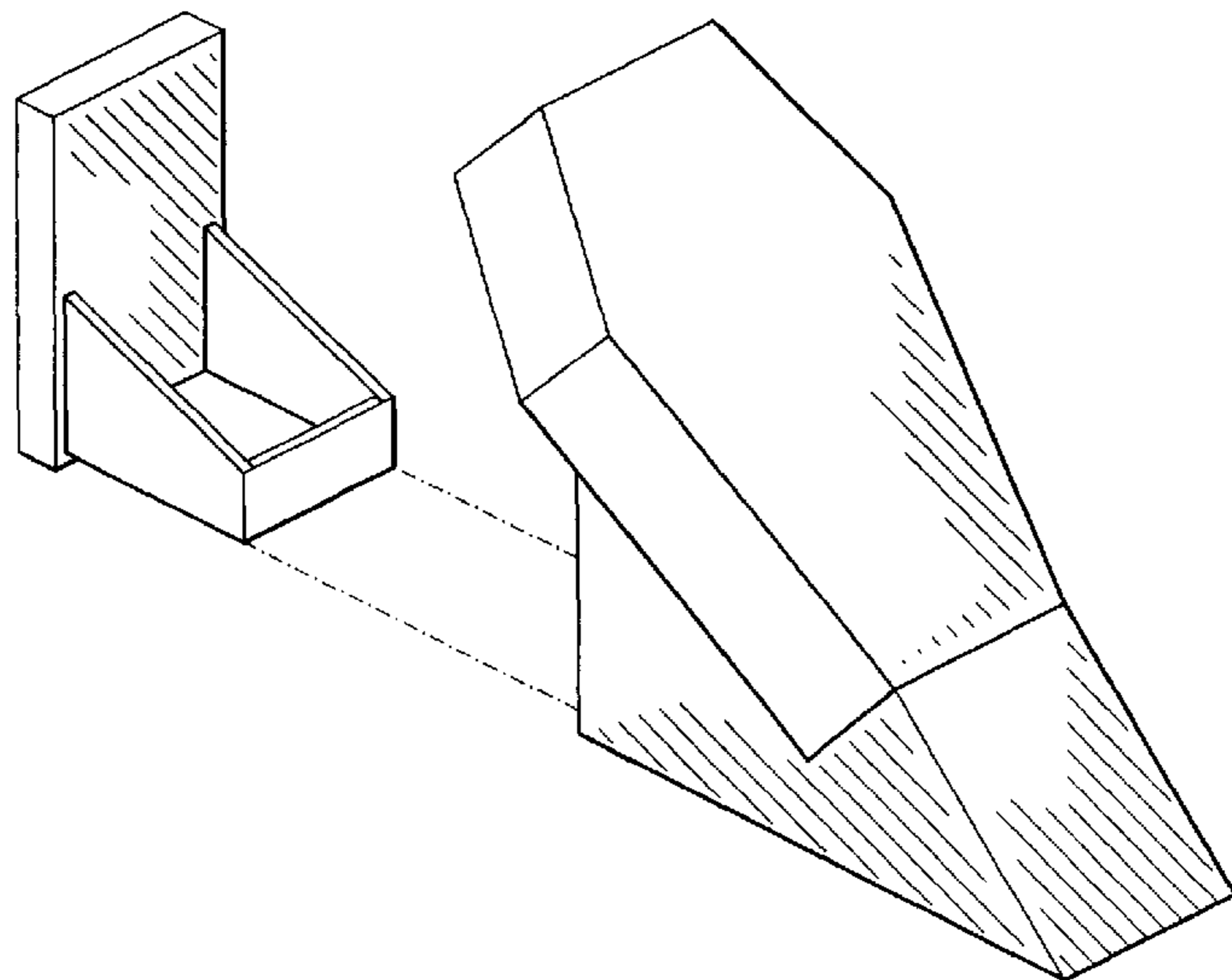


FIG. 8

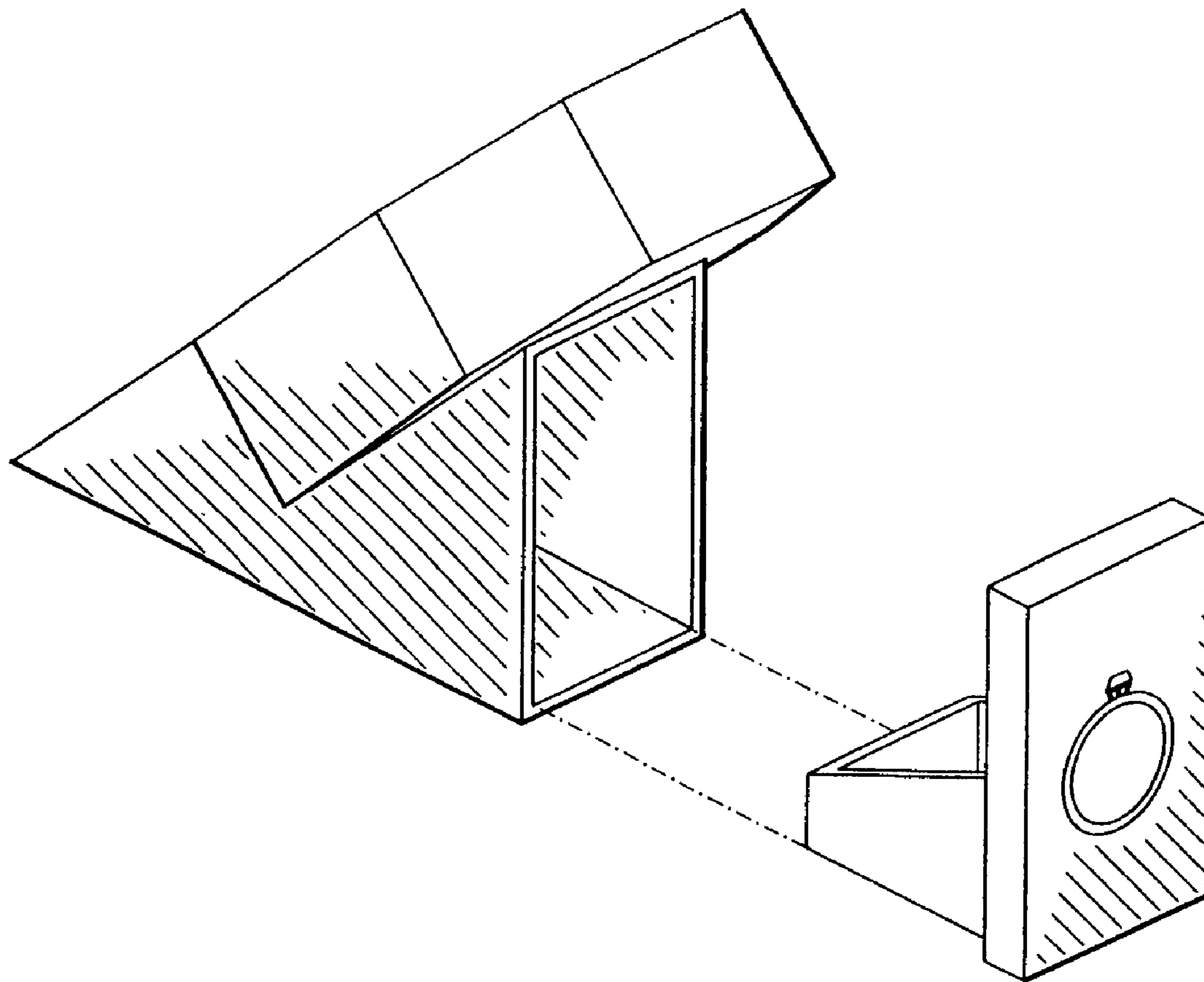


FIG. 9