



US00D540174S

(12) **United States Design Patent**
Lux

(10) **Patent No.:** **US D540,174 S**

(45) **Date of Patent:** **** Apr. 10, 2007**

(54) **CONTAINER**

(75) Inventor: **Heinz-Guenter Lux**, Rye Brook, NY
(US)

(73) Assignee: **Degussa AG**, Duesseldorf (DE)

(**) Term: **14 Years**

(21) Appl. No.: **29/204,215**

(22) Filed: **Apr. 27, 2004**

(51) **LOC (8) Cl.** **09-01**

(52) **U.S. Cl.** **D9/523; D7/612; D7/629;**
D9/454

(58) **Field of Classification Search** D9/417,
D9/424, 430, 530, 566, 526, 570, 454, 523,
D9/560; D7/629, 612; D24/122
See application file for complete search history.

(56) **References Cited**

U.S. PATENT DOCUMENTS

- D200,969 S * 4/1965 Wildgen D7/612
- D313,150 S * 12/1990 Hestehave et al. D7/612
- D332,224 S * 1/1993 Lynd et al. D9/523
- D343,093 S * 1/1994 Sabin et al. D7/612

- D347,554 S * 6/1994 Wingate et al. D7/612
- D464,887 S * 10/2002 Sherwell D9/516
- D478,820 S * 8/2003 Walsh et al. D9/560
- D485,494 S * 1/2004 Walsh et al. D9/529

* cited by examiner

Primary Examiner—Stella Reid

Assistant Examiner—Elizabeth J. Oswecki

(74) *Attorney, Agent, or Firm*—Oblon, Spivak, McClelland,
Maier & Neustadt, P.C.

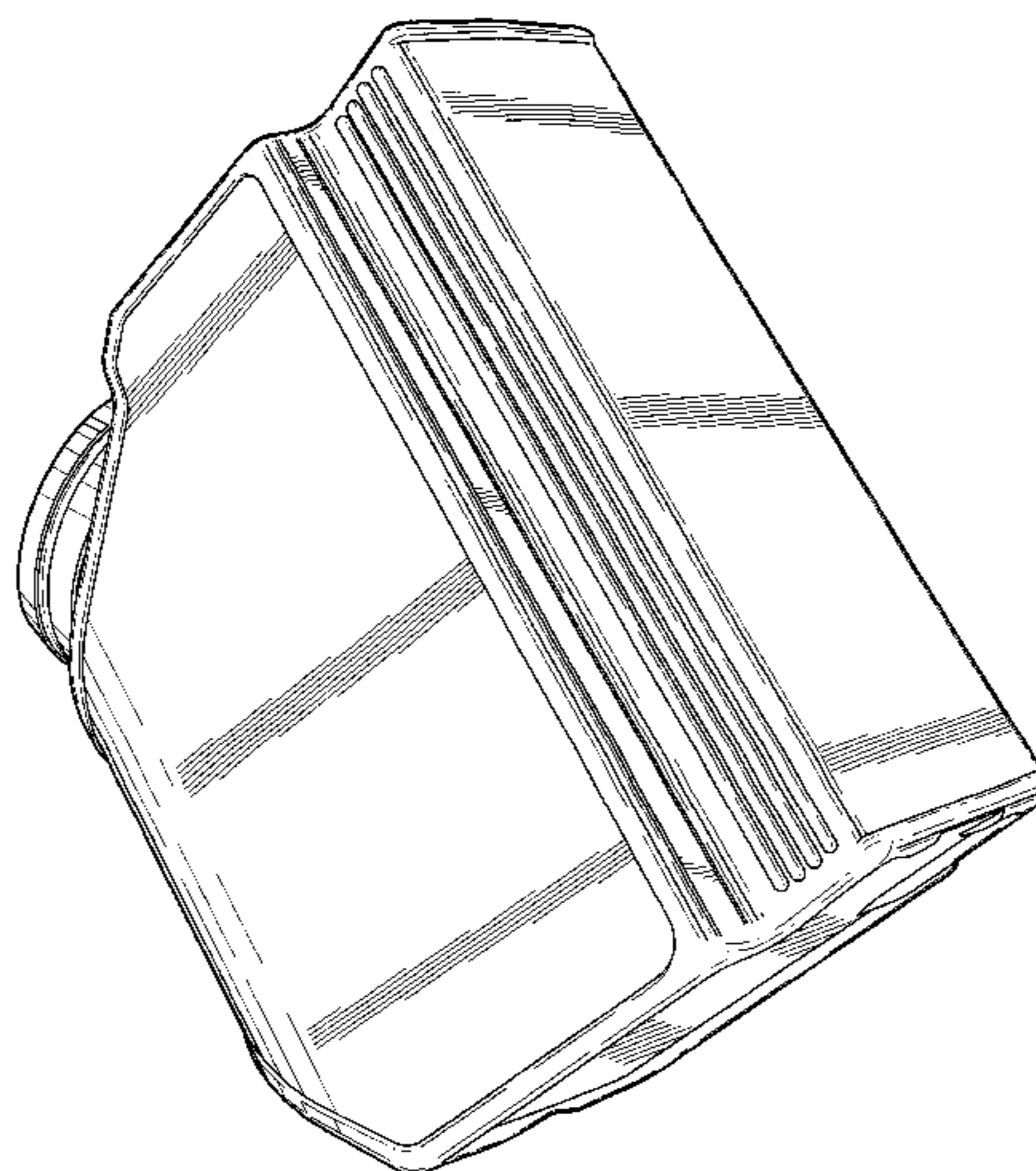
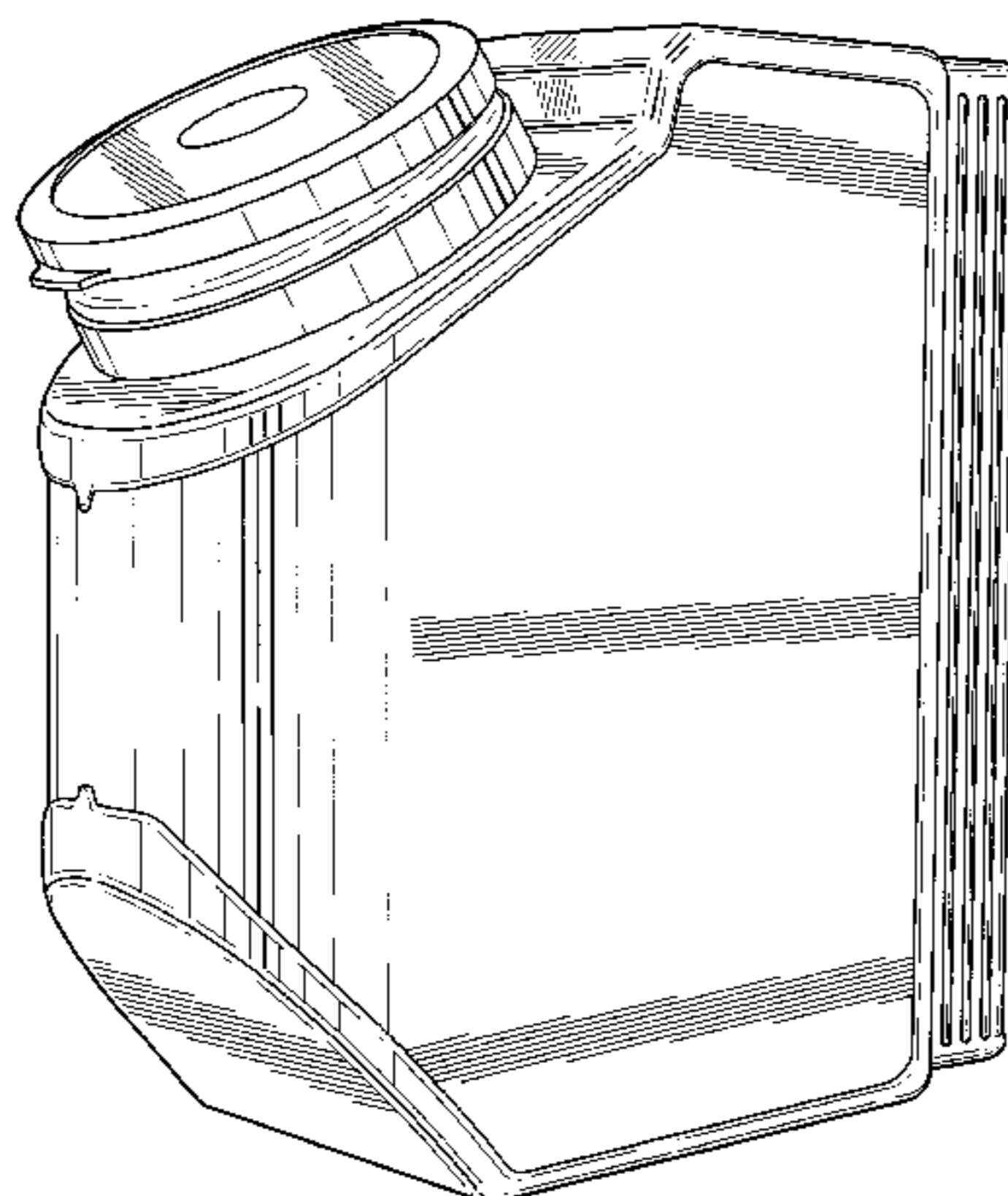
(57) **CLAIM**

The ornamental design for a container, as shown and described.

DESCRIPTION

FIG. 1 is a top and left front perspective view of a container, showing my design;
FIG. 2 is a top and right front perspective view thereof;
FIG. 3 is a rear and right side perspective view thereof;
FIG. 4 is a rear and left side perspective view thereof tilted on a front edge surface thereof; and,
FIG. 5 is a rear and left side bottom perspective view thereof.

1 Claim, 5 Drawing Sheets



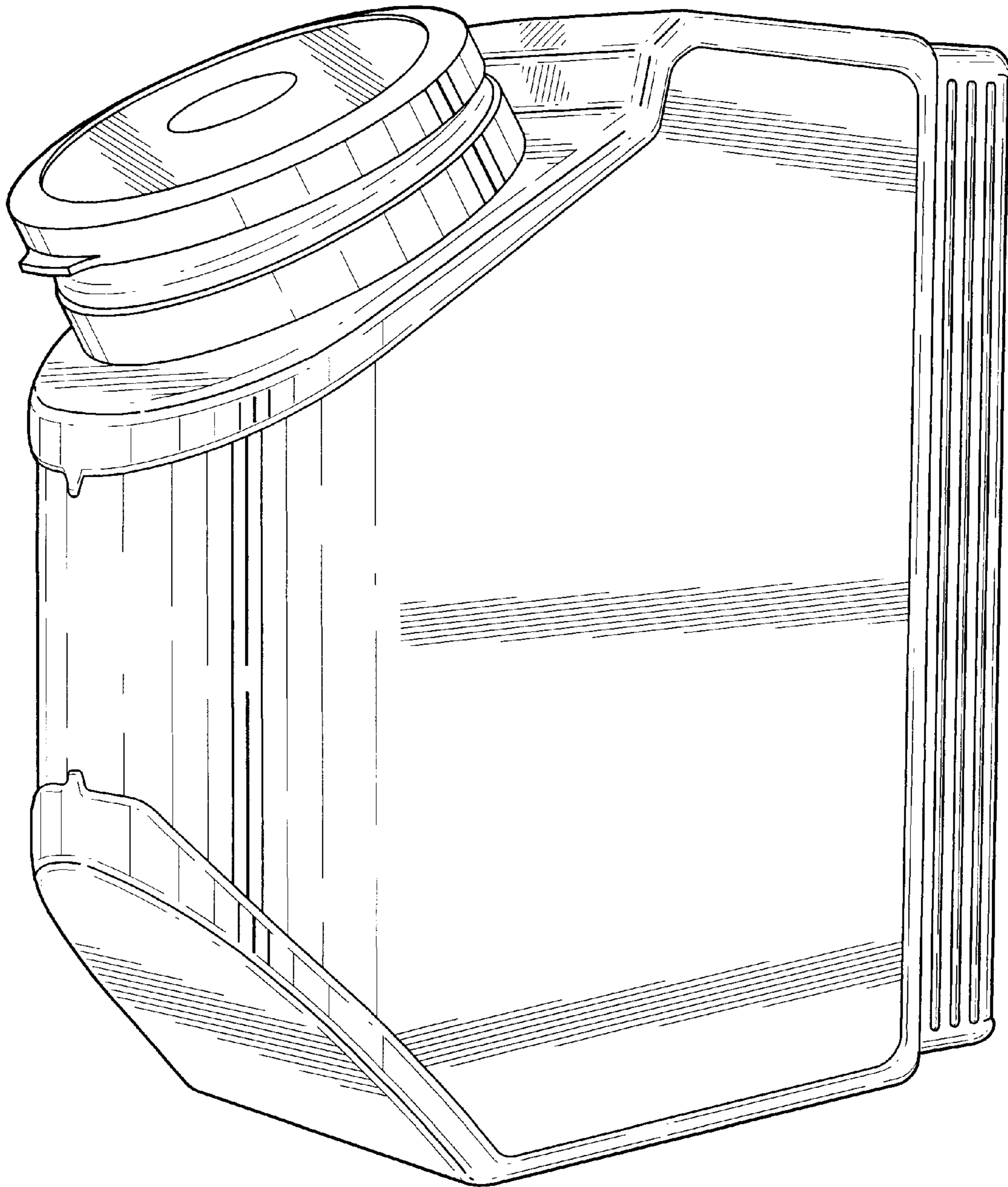


FIG. 1

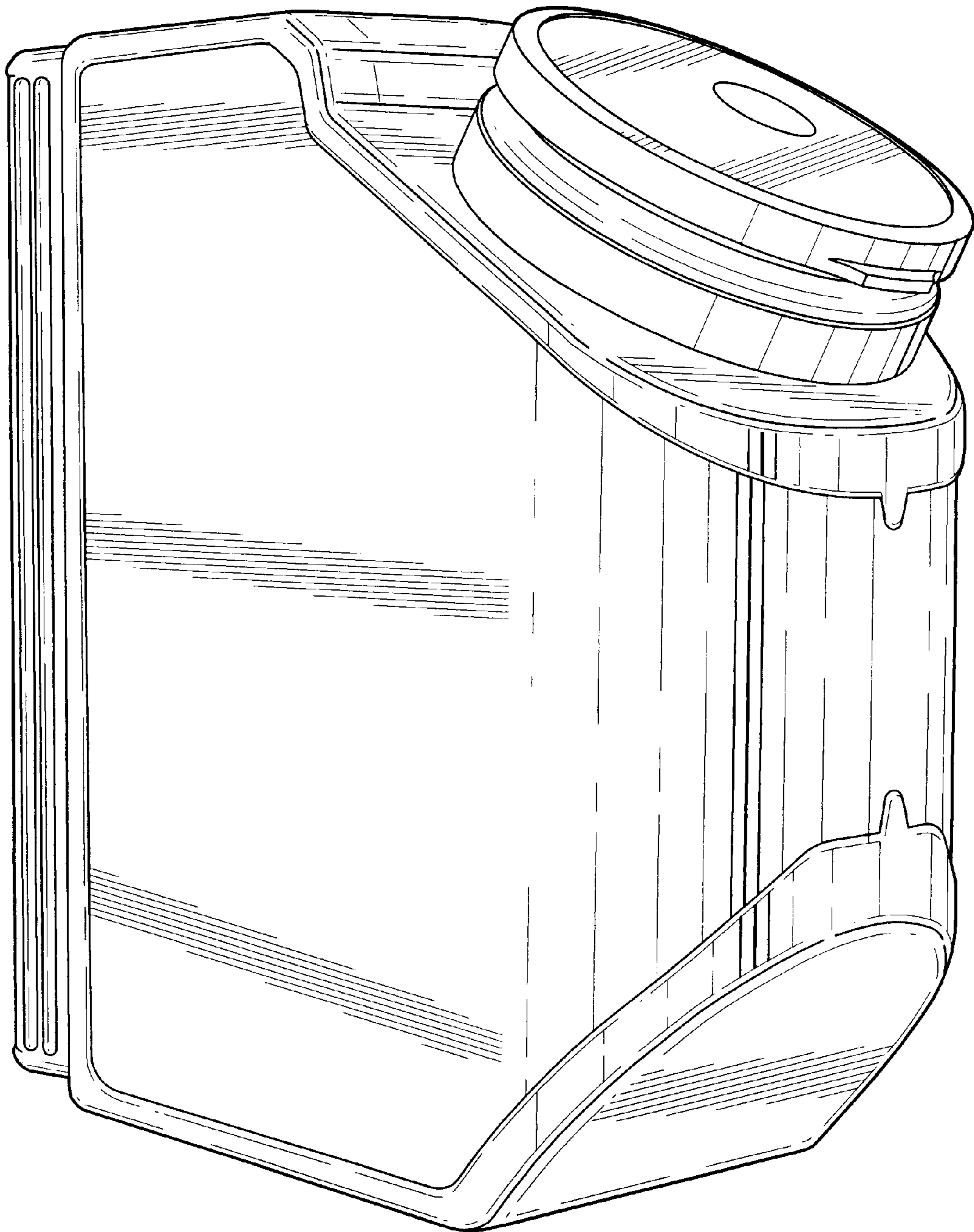


FIG. 2

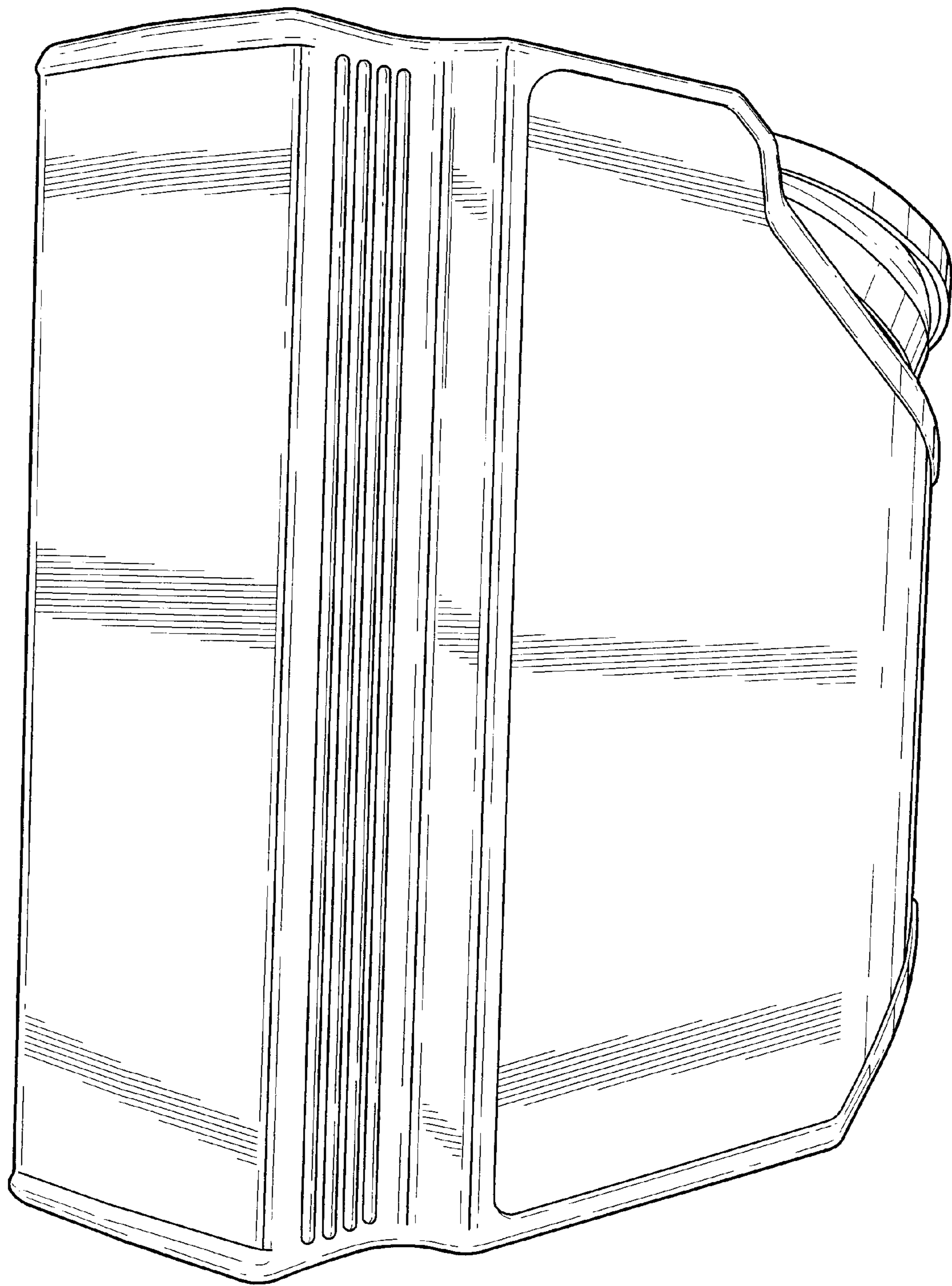


FIG. 3

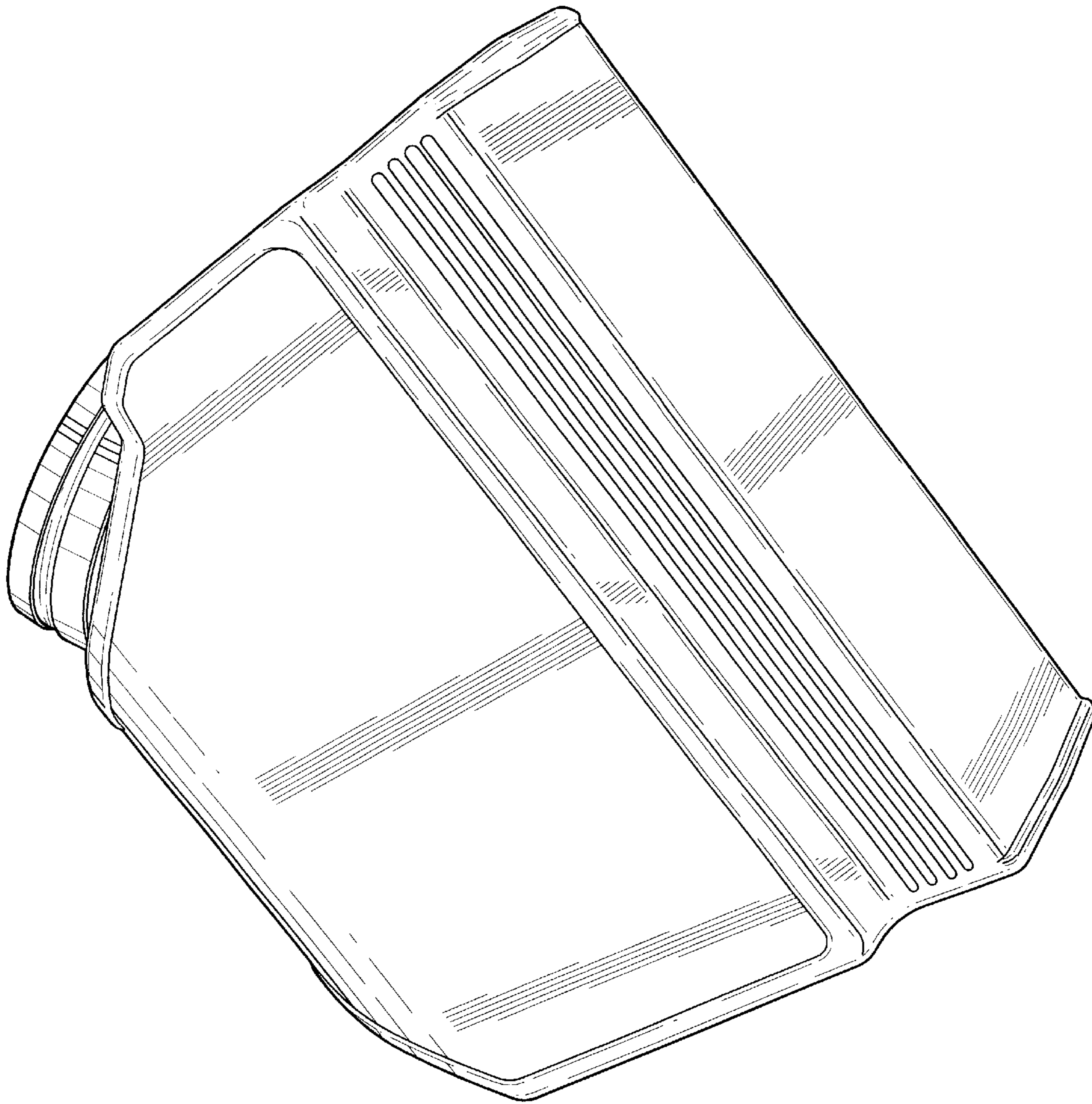


FIG. 4

