

US00D540169S

(12) **United States Design Patent**
Tanner

(10) **Patent No.:** **US D540,169 S**

(45) **Date of Patent:** **** Apr. 10, 2007**

(54) **CONTAINER**

(75) **Inventor:** **Roger Geoffrey Tanner**, Great Dunmow (GB)

(73) **Assignee:** **Crown Packaging Technology, Inc.**, Alsip, IL (US)

(**) **Term:** **14 Years**

(21) **Appl. No.:** **29/238,370**

(22) **Filed:** **Sep. 14, 2005**

(51) **LOC (8) Cl.** **09-01**

(52) **U.S. Cl.** **D9/503; D9/420**

(58) **Field of Classification Search** D9/500,
D9/502-505, 516, 523-524, 526, 529, 549-550,
D9/556-558, 655-656, 658-659, 737-738,
D9/741, 901-905; D24/121, 224; 215/379,
215/306; 220/660

See application file for complete search history.

D349,644 S	8/1994	Miyairi et al.	
D350,836 S	9/1994	Chevassus	
D351,789 S	10/1994	Lee	
D357,274 S	4/1995	Sato	
D359,234 S	* 6/1995	Amin	D9/428
D369,282 S	4/1996	Arduini	
D375,258 S	11/1996	Weder et al.	
D375,620 S	11/1996	Chan	
D378,041 S	* 2/1997	Stovall	D7/670
D383,062 S	9/1997	Gilels et al.	
D389,174 S	1/1998	Yasoshima	
D394,131 S	5/1998	Litton	
D400,787 S	* 11/1998	Keener	D9/719
D401,017 S	11/1998	Thorpe	
D407,855 S	4/1999	Orsomando	
D407,972 S	4/1999	Hilton	
D424,245 S	5/2000	Stoecker	
D431,881 S	10/2000	Gavin	
D432,911 S	10/2000	Clarke et al.	
D433,940 S	11/2000	Lindsay et al.	
6,240,989 B1	6/2001	Masoud	
D446,718 S	8/2001	Anderson	
D448,295 S	9/2001	Mozes	
D449,165 S	10/2001	van der Hulst	

(56) **References Cited**

U.S. PATENT DOCUMENTS

2,295,747 A	9/1942	Mills	
2,722,309 A	11/1955	Waterman	
D199,819 S	12/1964	Palson	
D200,000 S	1/1965	Richards	
D249,469 S	* 9/1978	Russert	D9/423
D267,983 S	2/1983	Cheung	
D277,420 S	1/1985	Bakic	
D278,207 S	4/1985	McLaughlin	
D280,852 S	10/1985	Bakic	
D281,827 S	12/1985	Bakic	
D285,177 S	8/1986	Goetz	
D285,414 S	9/1986	Goetz et al.	
D303,581 S	9/1989	Bakic	
D305,947 S	2/1990	Chevassus	
D309,431 S	7/1990	Sheehan	
D311,684 S	10/1990	Newell et al.	
D323,293 S	1/1992	Gutkowski	
D328,710 S	8/1992	Deflander	
D328,862 S	* 8/1992	Janssen et al.	D9/414
D336,039 S	* 6/1993	Tanaka et al.	D9/780
D339,286 S	9/1993	Kelsey et al.	

(Continued)

Primary Examiner—Ian Simmons
Assistant Examiner—Dana Sipos
(74) *Attorney, Agent, or Firm*—Knoble Yoshida & Dunleavy, LLC

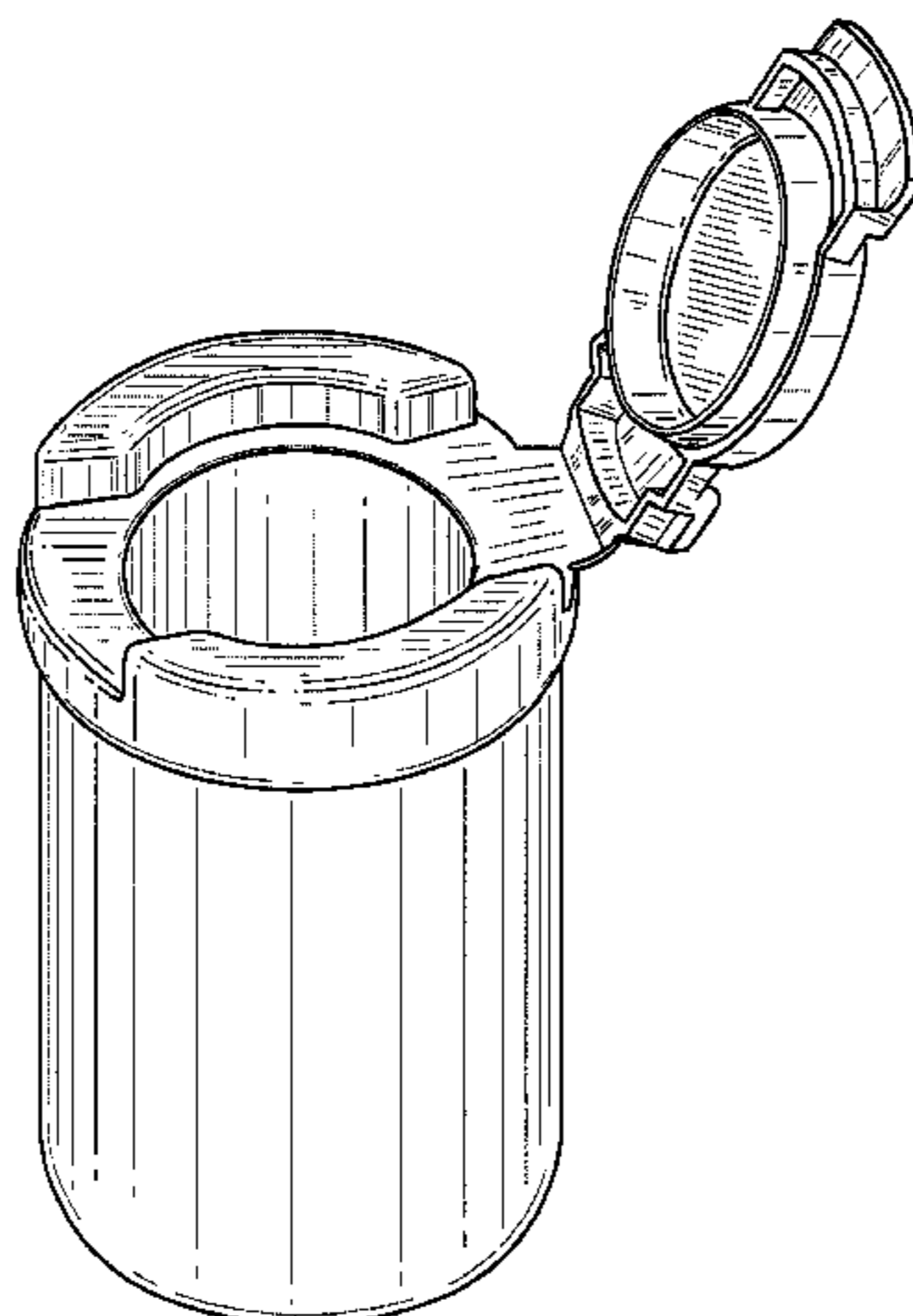
(57) **CLAIM**

The ornamental design for a “container,” as shown and described.

DESCRIPTION

FIG. 1 is a top, right side perspective view showing my new design;
FIG. 2 is a front elevational view thereof;
FIG. 3 is a rear elevational view thereof;
FIG. 4 is a left side elevational view thereof;
FIG. 5 is a right side elevational view thereof;
FIG. 6 is a top plan view thereof; and,
FIG. 7 is a bottom plan view thereof.

1 Claim, 4 Drawing Sheets



US D540,169 S

Page 2

U.S. PATENT DOCUMENTS

D450,593 S	11/2001	Jebb et al.			
D452,373 S	12/2001	Horntrich			
6,341,710 B1	1/2002	Danielson et al.			
D455,235 S	4/2002	Braaten et al.			
D460,690 S	7/2002	Doerschlag			
D464,173 S	10/2002	Orsomando			
D464,567 S	10/2002	Baerenwald et al.			
D465,729 S	11/2002	Nishimura			
D471,456 S	* 3/2003	Young et al.	D9/447	
D471,820 S	3/2003	Faillant-Dumas			
D472,803 S	4/2003	Saunders			
D473,680 S	4/2003	Saunders et al.			
D475,282 S	6/2003	Snaith et al.			
D478,689 S	8/2003	Thorpe			
D479,016 S	8/2003	Sgariboldi			
D479,462 S	9/2003	Chan			
D480,634 S	10/2003	Caroen			
D484,409 S	12/2003	Haggerty et al.			
D502,095 S	2/2005	Tucker et al.			
D502,873 S	* 3/2005	Capece et al.	D9/447	
D509,732 S	9/2005	Staples			
D512,314 S	* 12/2005	Cervantes	D9/504	
D514,446 S	* 2/2006	Choi	D9/449	
D516,425 S	* 3/2006	Haffner et al.	D9/449	
D530,370 S	* 10/2006	Siegel	D19/35	
2001/0023595 A1	9/2001	Kaposi			
2002/0005044 A1	1/2002	Mahajan			

* cited by examiner

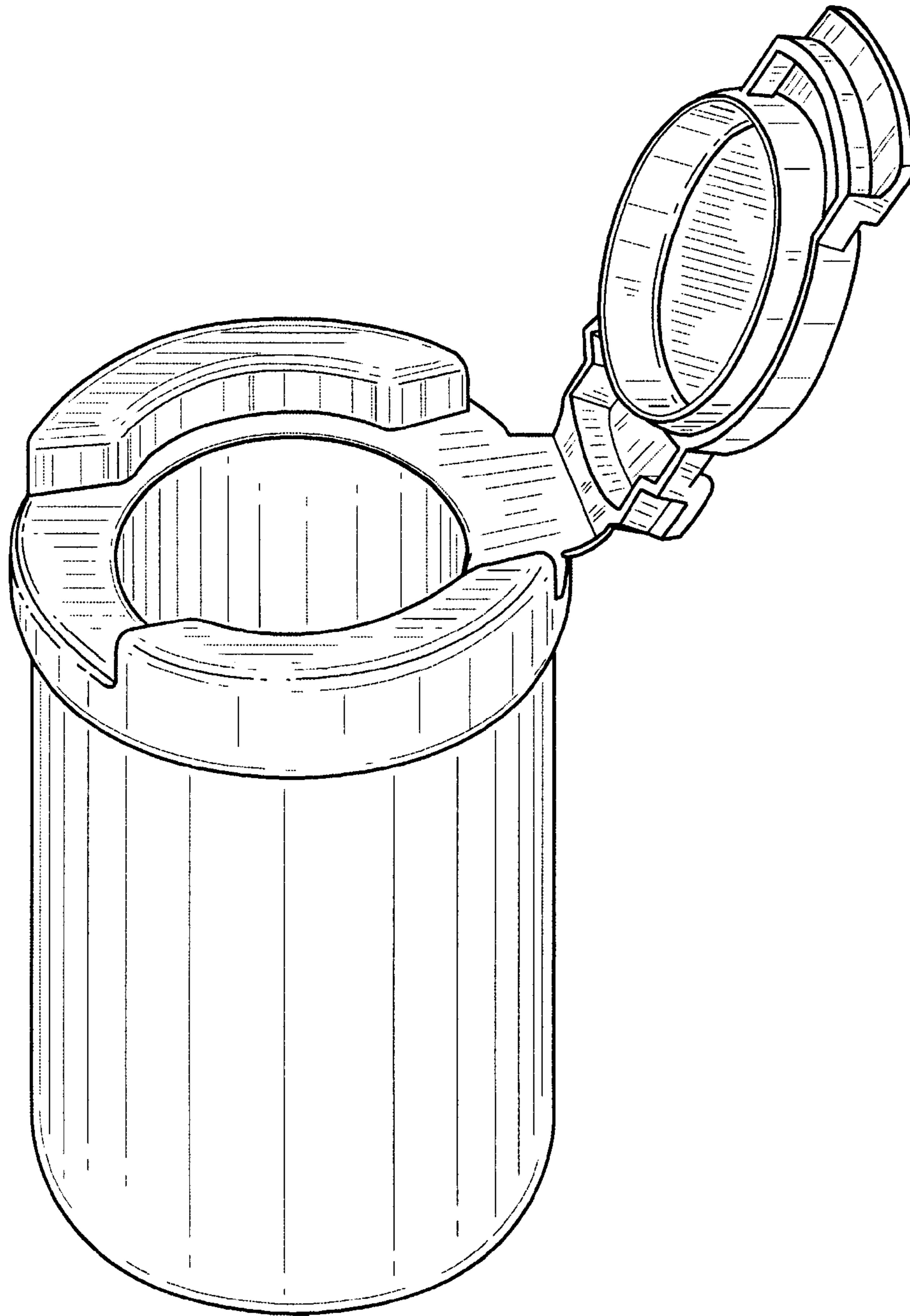


FIG. 1

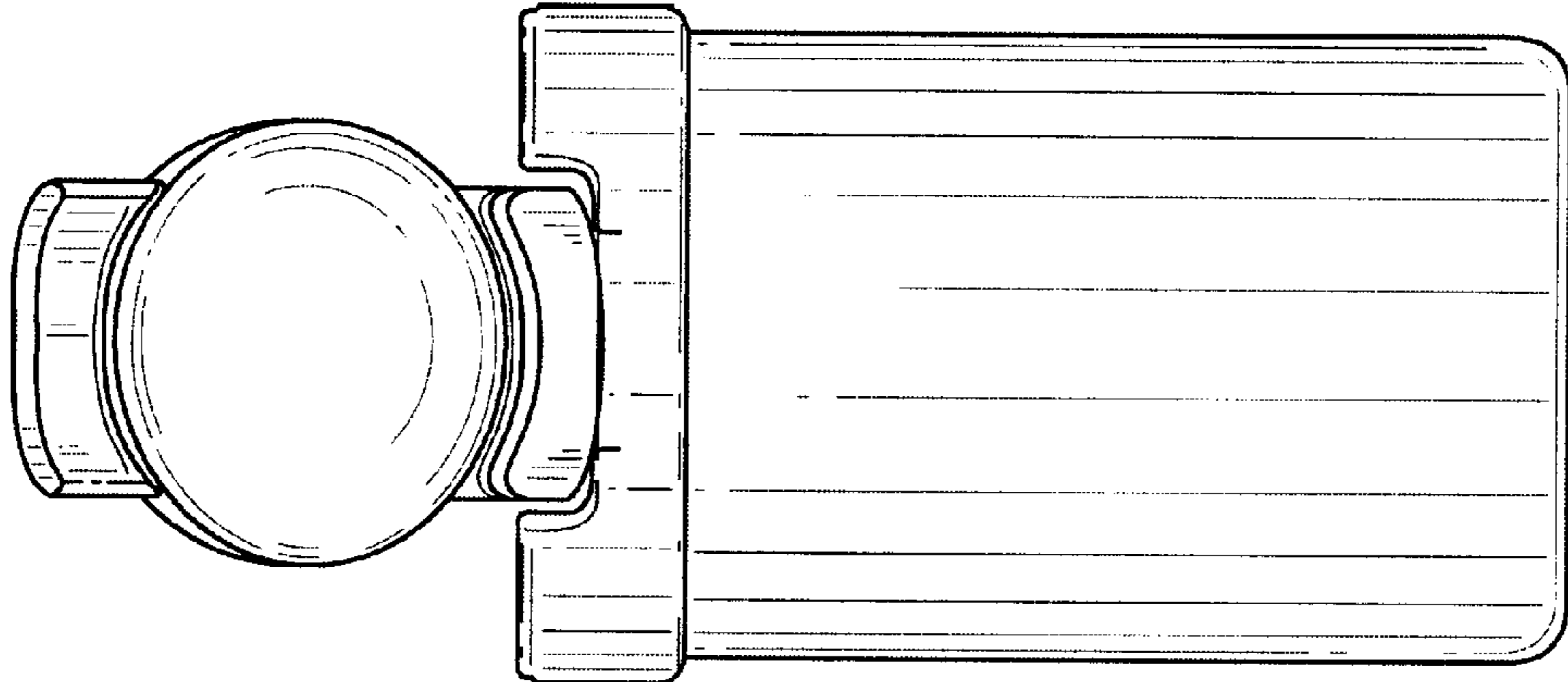


FIG. 3

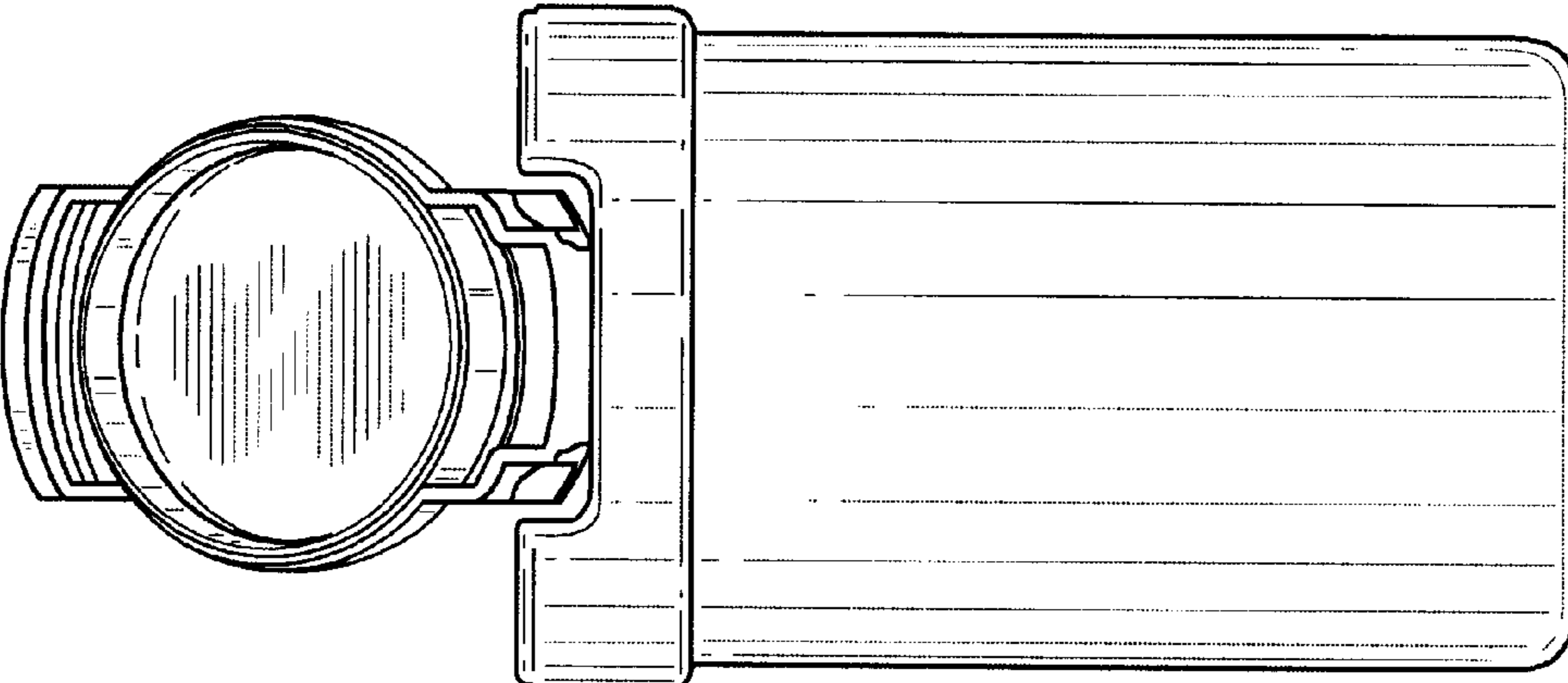


FIG. 2

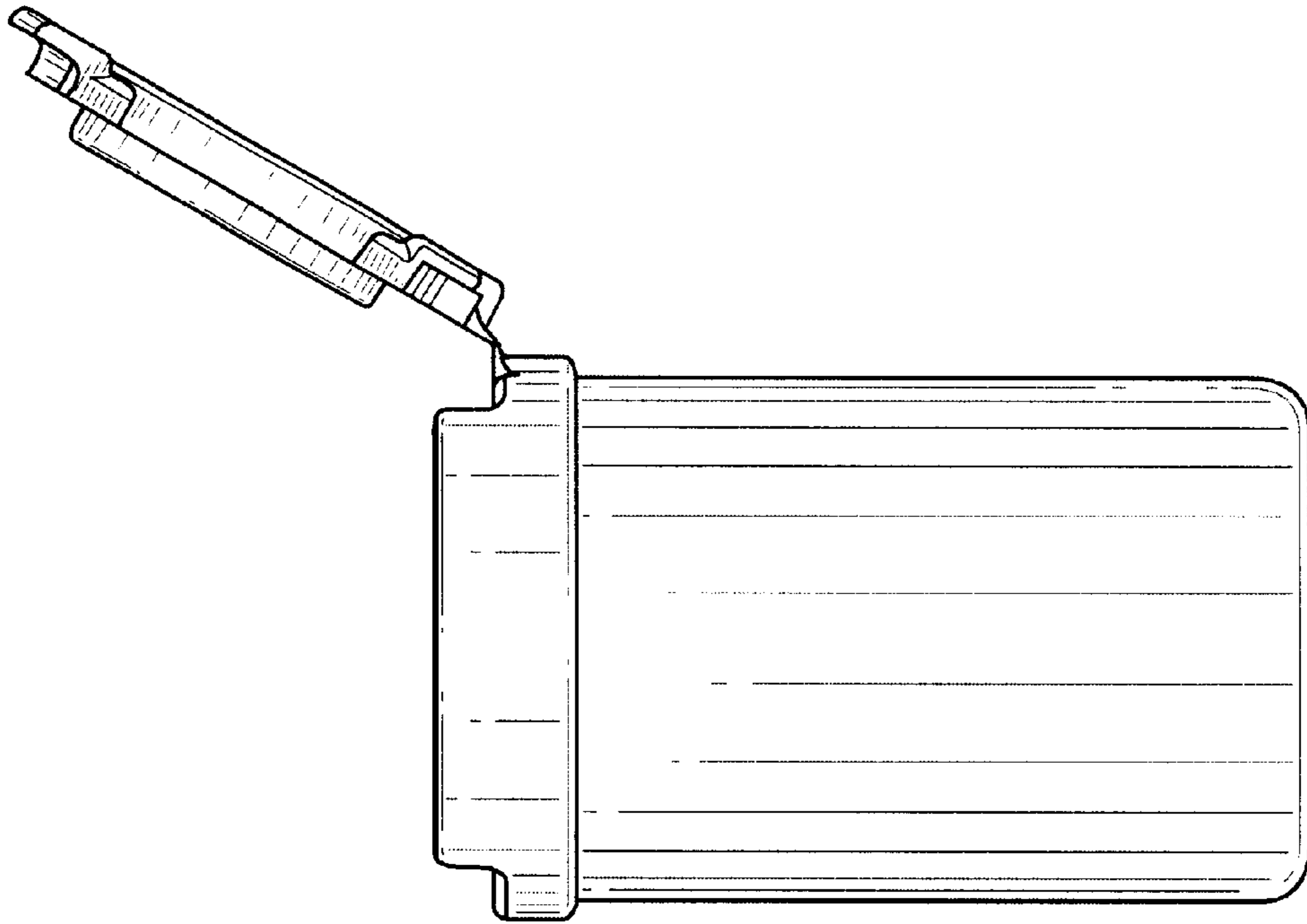


FIG. 5

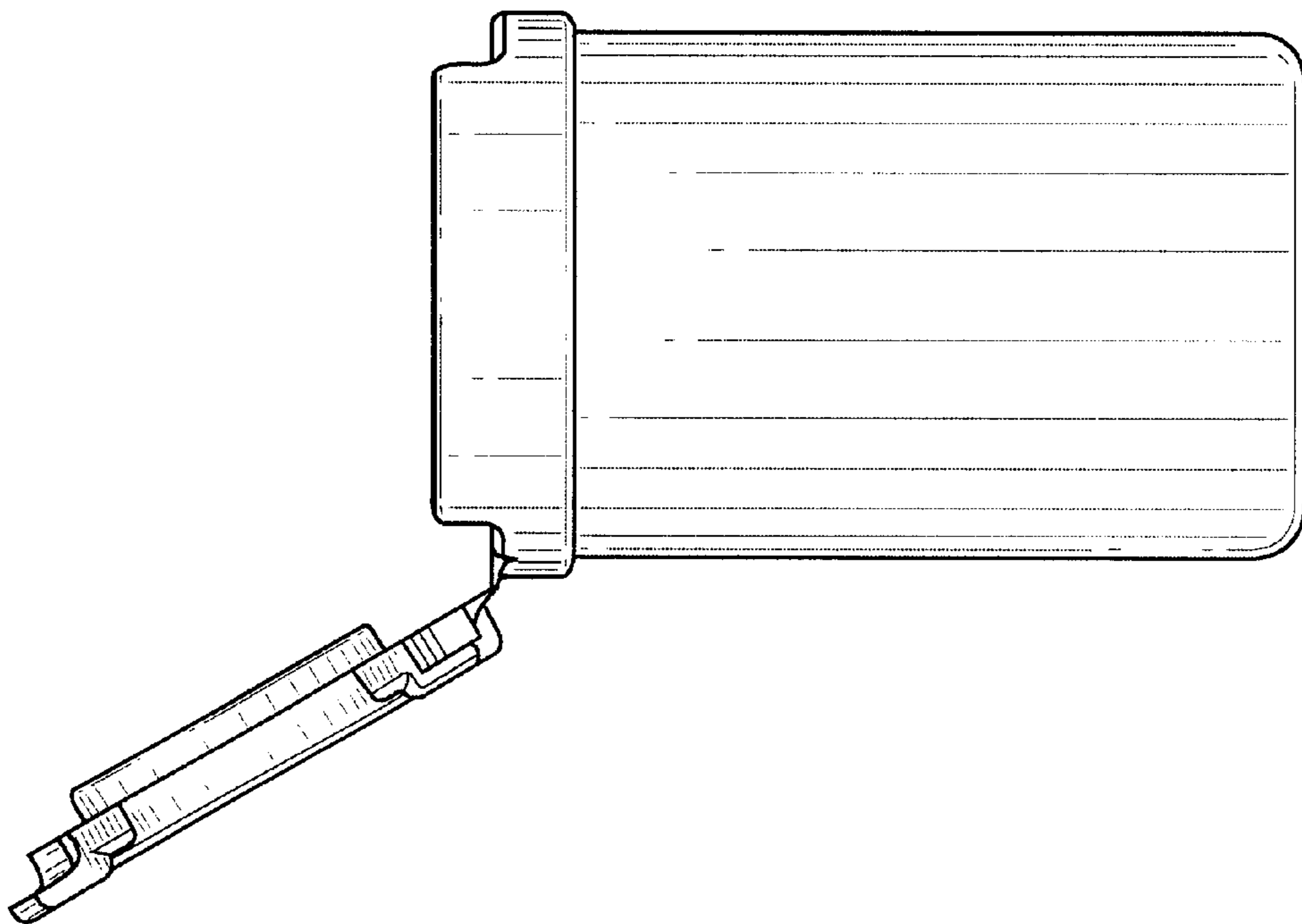


FIG. 4

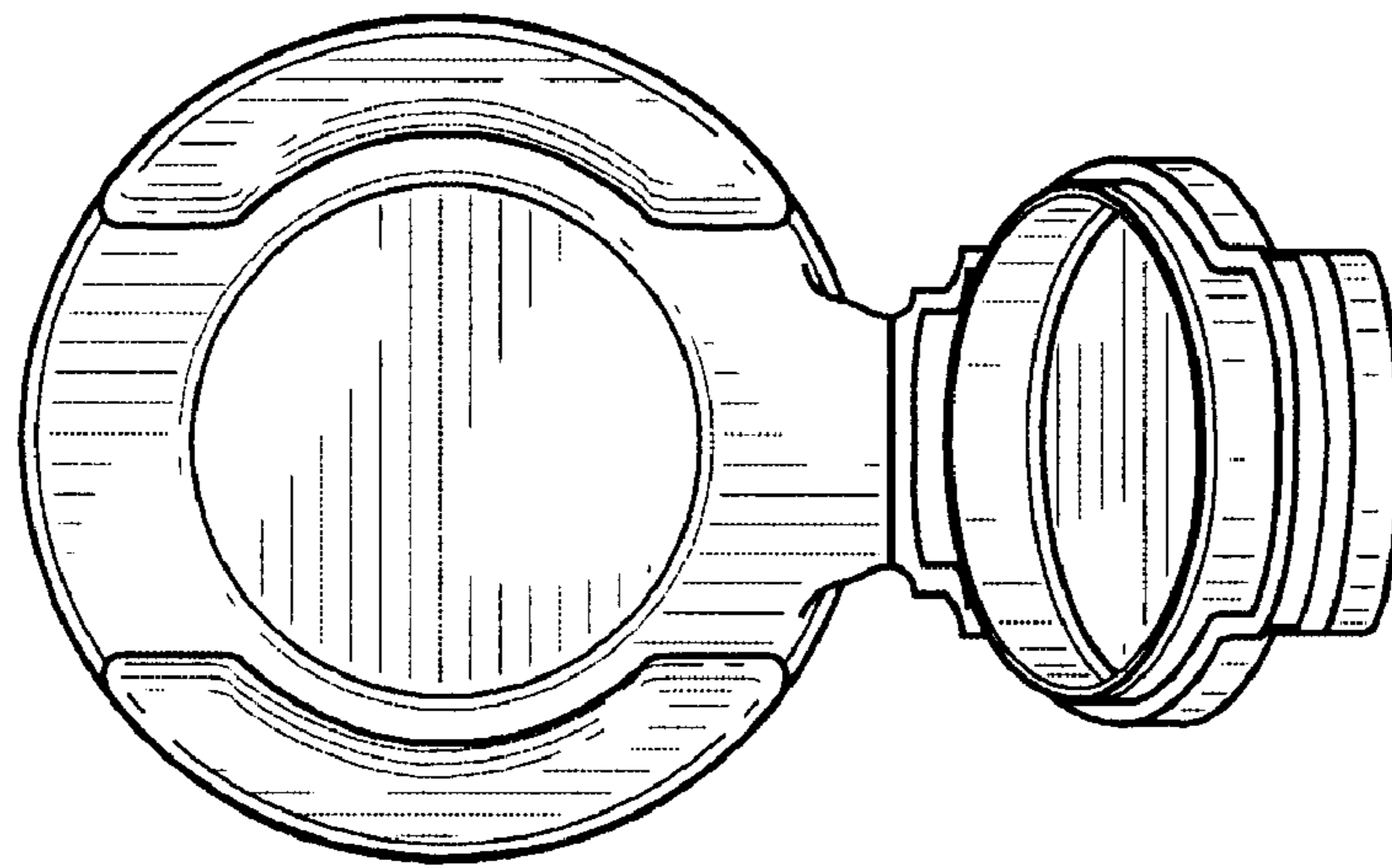


FIG. 6

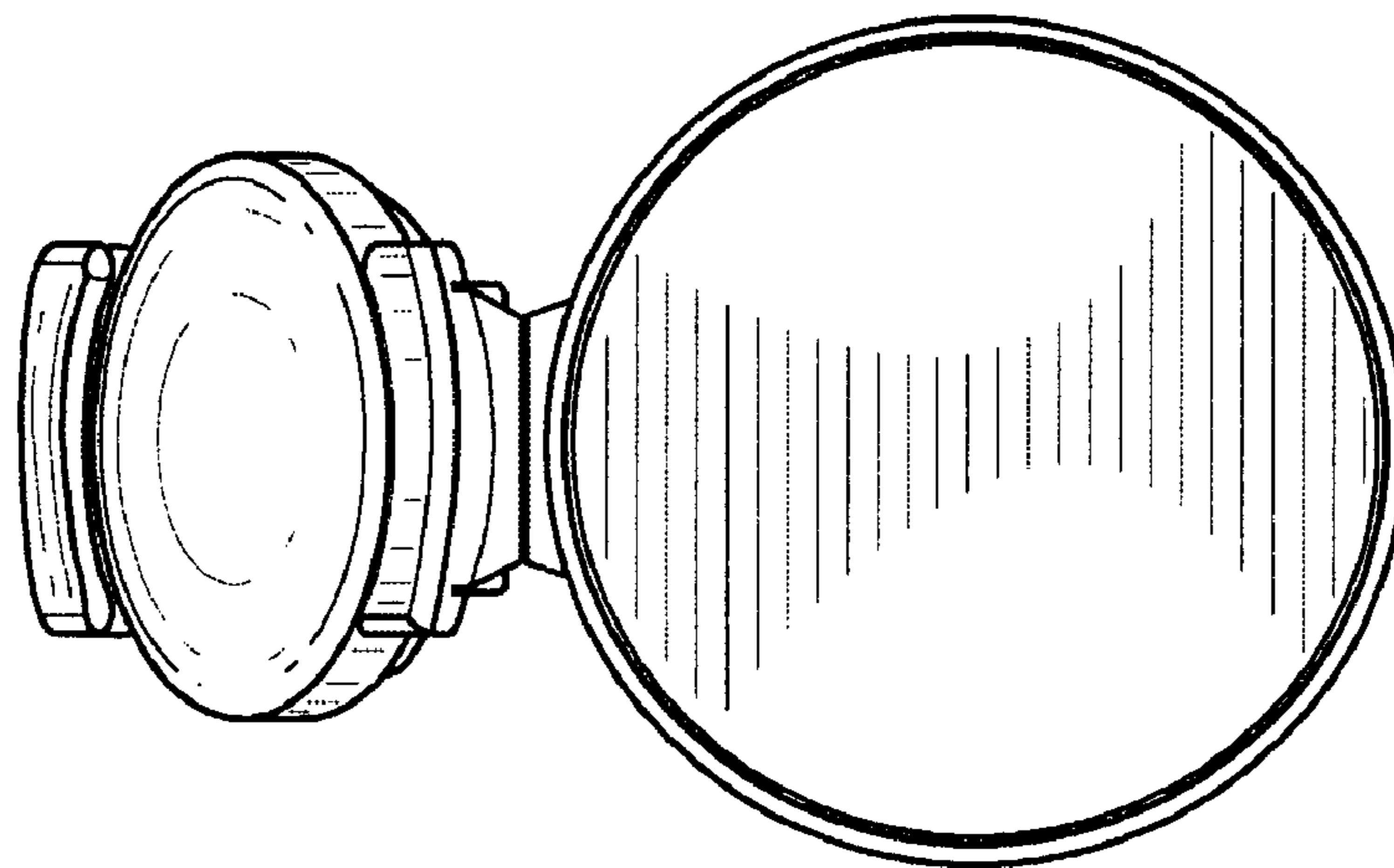


FIG. 7