

US00D540167S

(12) **United States Design Patent** (10) **Patent No.:** **US D540,167 S**
Smith et al. (45) **Date of Patent:** **** Apr. 10, 2007**

(54) **UPPER PANEL OF A DRINK CUP LID**
(75) Inventors: **Stephen Alan Smith**, Naperville, IL (US); **Kevin Ray Smith**, Round Lake Beach, IL (US); **Robert Joseph Schaefer**, Baltimore, MD (US); **Bradley F. Rademaker**, LaGrange, IL (US)
(73) Assignee: **Solo Cup Operating Corporation**, Highland Park, IL (US)
(**) Term: **14 Years**
(21) Appl. No.: **29/239,148**
(22) Filed: **Sep. 27, 2005**
(51) **LOC (8) Cl.** **09-07**
(52) **U.S. Cl.** **D9/454; D9/435**
(58) **Field of Classification Search** D9/454, D9/450, 449, 447, 445, 441, 438, 435, 434; D7/629, 511, 510, 396.2, 392.1, 317, 391, D7/392; D3/203.2, 202; 222/555, 451.2; 220/713, 712, 270, 253; D20/28
See application file for complete search history.

4,978,024 A 12/1990 Newman et al.
5,253,781 A 10/1993 Van Melle et al.
5,348,181 A 9/1994 Smith et al.
5,398,843 A 3/1995 Warden et al.
D368,624 S 4/1996 Forrer
5,588,561 A 12/1996 Ness
5,624,053 A 4/1997 Freek et al.
D379,928 S 6/1997 Freek et al.
D394,184 S * 5/1998 Demore D7/391
5,798,079 A 8/1998 Freek et al.
D402,556 S 12/1998 Frye
5,911,331 A 6/1999 Boller
5,947,323 A 9/1999 Freek et al.
D416,755 S * 11/1999 Trombly D7/392.1
D417,845 S 12/1999 Sadlier et al.
5,996,837 A 12/1999 Freek et al.
D436,867 S * 1/2001 Spreitzer et al. D9/772
D437,223 S 2/2001 Coy et al.
D447,412 S * 9/2001 Durdon D9/438
6,305,571 B1 10/2001 Chu
6,374,726 B1 4/2002 Melton

(Continued)

OTHER PUBLICATIONS

Web Page www.lollicupstore.com/hotcup/sili.html from Lollicup® Coffee & Tea Website, Product Honor® Hot Cup Sipper Lid as an internet site image, (dated Sep. 29, 2005) known to exist as early as Sep. 26, 2005.

(Continued)

Primary Examiner—Robert M. Spear
Assistant Examiner—Susan Bennett Hattan
(74) *Attorney, Agent, or Firm*—Banner & Witcoff, Ltd.

(56) **References Cited**

U.S. PATENT DOCUMENTS

1,725,393 A 8/1929 Cone
D181,109 S * 10/1957 Jocelyn D12/92
D209,483 S * 12/1967 Frank D9/454
3,994,411 A 11/1976 Elfelt et al.
4,138,033 A 2/1979 Payne et al.
4,319,692 A * 3/1982 Gundlach 220/268
4,350,260 A 9/1982 Prueher
4,441,624 A 4/1984 Sokolowski
4,460,103 A 7/1984 Rama et al.
4,579,245 A 4/1986 Narushko
4,589,569 A 5/1986 Clements
4,615,459 A 10/1986 Clements
4,619,372 A 10/1986 McFarland
D287,919 S 1/1987 Clements
4,753,365 A 6/1988 Seppala
D299,010 S 12/1988 Wall
4,938,379 A * 7/1990 Kellner 220/370

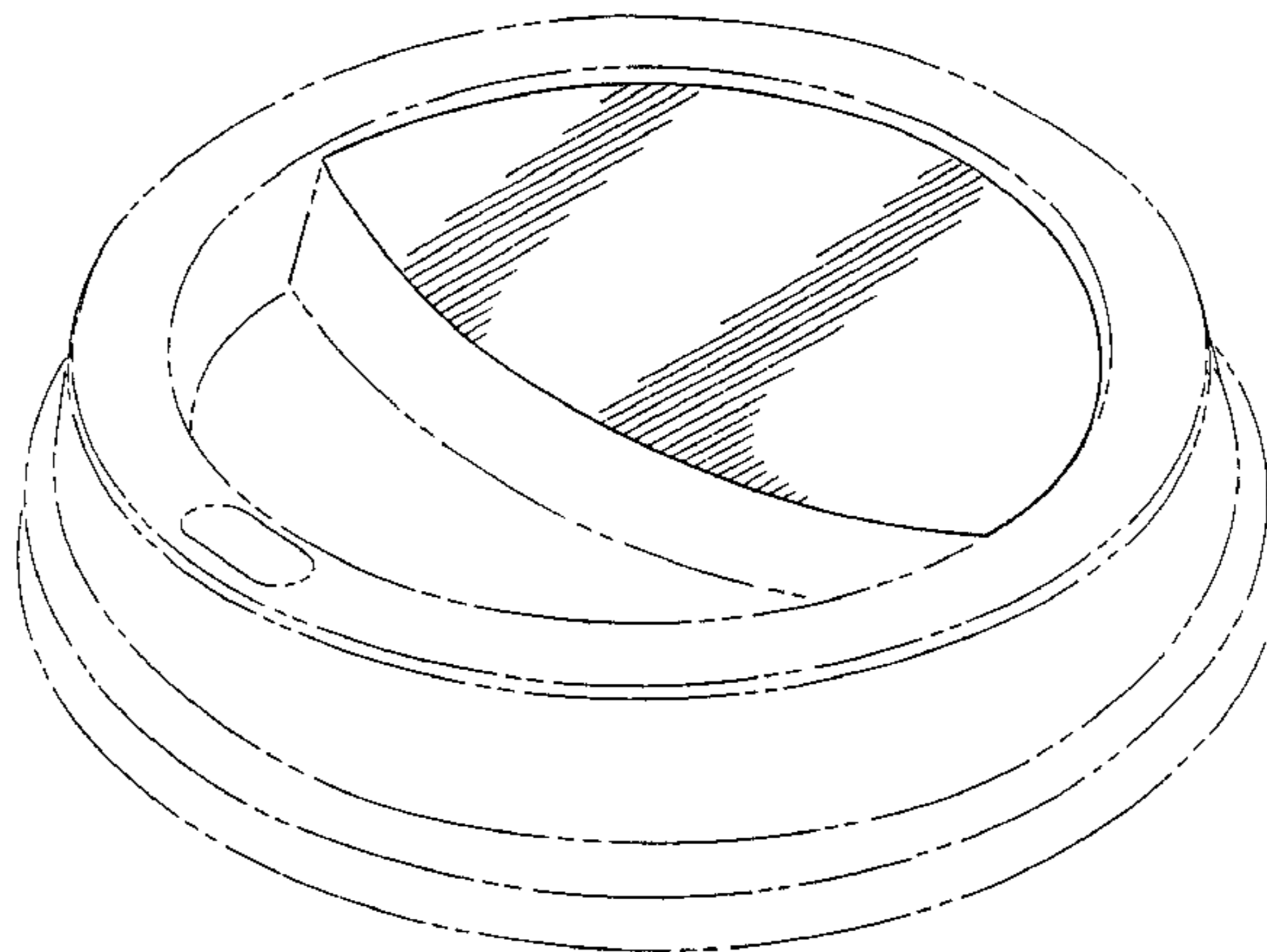
(57) **CLAIM**

We claim the ornamental design for an upper panel of a drink cup lid, as shown and described.

DESCRIPTION

FIG. 1 is a perspective view of an upper panel of a drink cup lid; and,
FIG. 2 is a top plan view of the of the upper panel of the drink cup lid of FIG. 1.
The broken lines are for illustrative purposes only and form no part of the claimed design.

1 Claim, 1 Drawing Sheet



US D540,167 S

Page 2

U.S. PATENT DOCUMENTS

6,419,105 B1 7/2002 Bruce et al.
6,419,112 B1 7/2002 Bruce et al.
6,464,099 B1 10/2002 Portman et al.
D467,500 S 12/2002 Cudmore et al.
D468,206 S 1/2003 Weiss et al.
6,505,753 B1 1/2003 Freek et al.
D470,890 S * 2/2003 Meyer D20/28
6,578,726 B1 6/2003 Schaefer
D476,566 S 7/2003 Smith et al.
D476,891 S 7/2003 Clarke et al.
D477,223 S 7/2003 Smith et al.
6,612,456 B1 9/2003 Hundley et al.
D480,968 S 10/2003 Atkins et al.
6,644,490 B2 11/2003 Clarke
6,679,397 B2 1/2004 Smith et al.

D500,343 S * 12/2004 McRobbie D20/28
6,905,044 B1 * 6/2005 Russo et al. 220/719
6,991,128 B1 * 1/2006 Russo et al. 220/713
2003/0089713 A1 5/2003 Belt et al.
2003/0141302 A1 7/2003 Ryan et al.
2004/0195239 A1 * 10/2004 Rush et al. 220/254.3
2005/0211713 A1 * 9/2005 Goeking et al. 220/713

OTHER PUBLICATIONS

Patton, Phil, "Top This," I.D. Magazine, pp. 39–47, May/
Jun. 2005.

Publication of TM Application No. 76/357,255—Official
Gazette, p. 260, Jun. 10, 2003.

* cited by examiner

FIG. 1

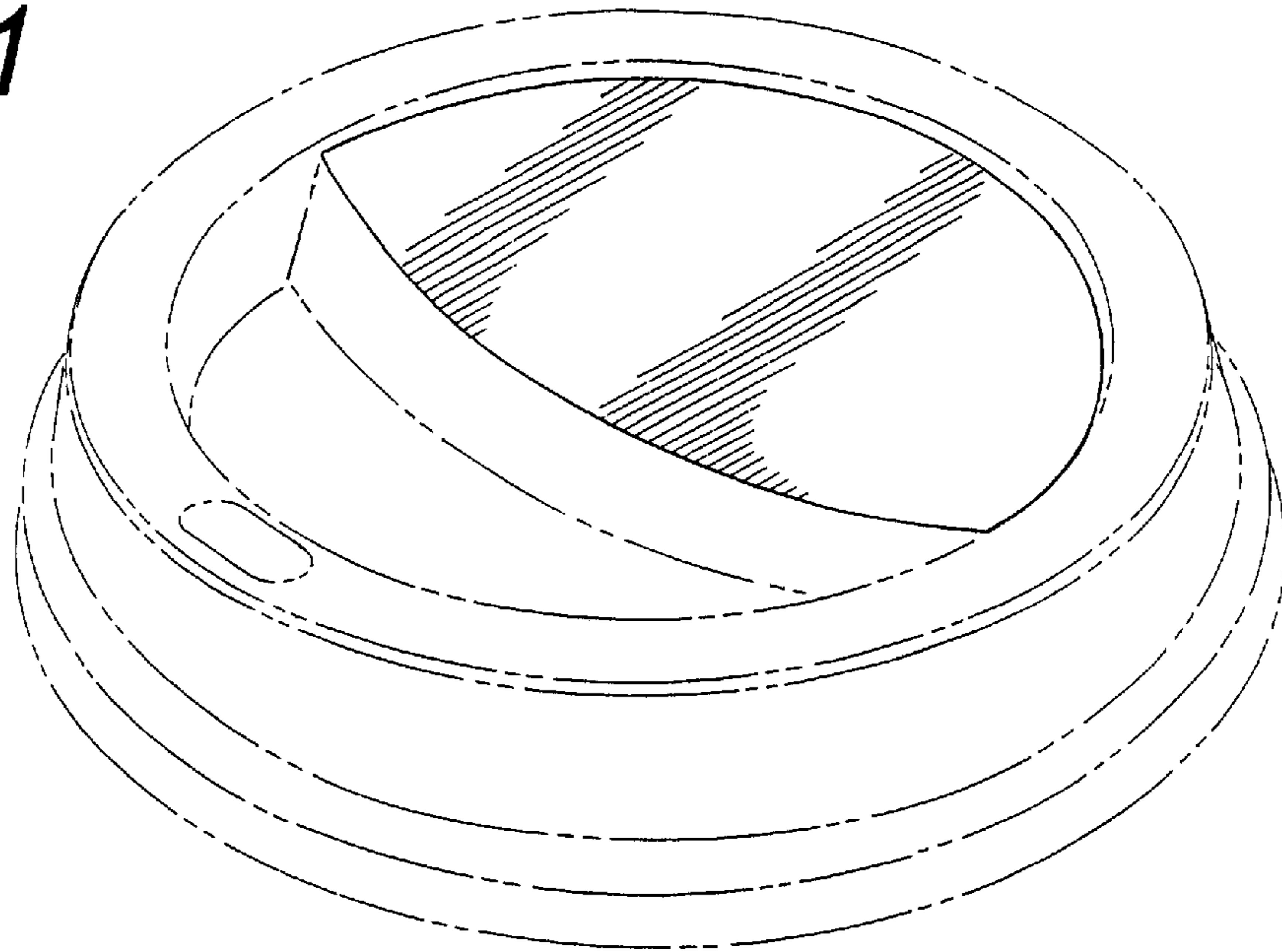


FIG. 2

