

US00D540166S

(12) **United States Design Patent**
Hollis et al.

(10) **Patent No.:** **US D540,166 S**
(45) **Date of Patent:** **** Apr. 10, 2007**

- (54) **DISPOSABLE CUP LID** 4,113,135 A 9/1978 Yamazki
- 4,138,033 A 2/1979 Payne et al.
- (75) Inventors: **Robert W. Hollis**, Homer Glen, IL 4,164,303 A 8/1979 Waterburg
- (US); **Weston S. Koennecke**, Oak Park, 4,184,604 A 1/1980 Amberg et al.
- IL (US); **John R. Geer, III**, Downers 4,186,842 A 2/1980 Albert
- Grove, IL (US) 4,187,954 A 2/1980 Striggow
- 4,190,174 A 2/1980 Haimowitz
- (73) Assignee: **Prairie Packaging Inc.**, Bedford Park, 4,202,459 A 5/1980 DeParales et al.
- IL (US) 4,210,272 A 7/1980 Sequin
- (**) Term: **14 Years** 4,243,156 A 1/1981 Lobbestael
- D259,403 S 6/1981 Frazier, Jr.
- 4,285,442 A 8/1981 Wedzik
- (21) Appl. No.: **29/248,898** 4,319,691 A 3/1982 Hament
- 4,319,692 A 3/1982 Gundlach
- (22) Filed: **Sep. 8, 2006** 4,322,015 A 3/1982 Bailey
- 4,345,695 A 8/1982 Galloway et al.

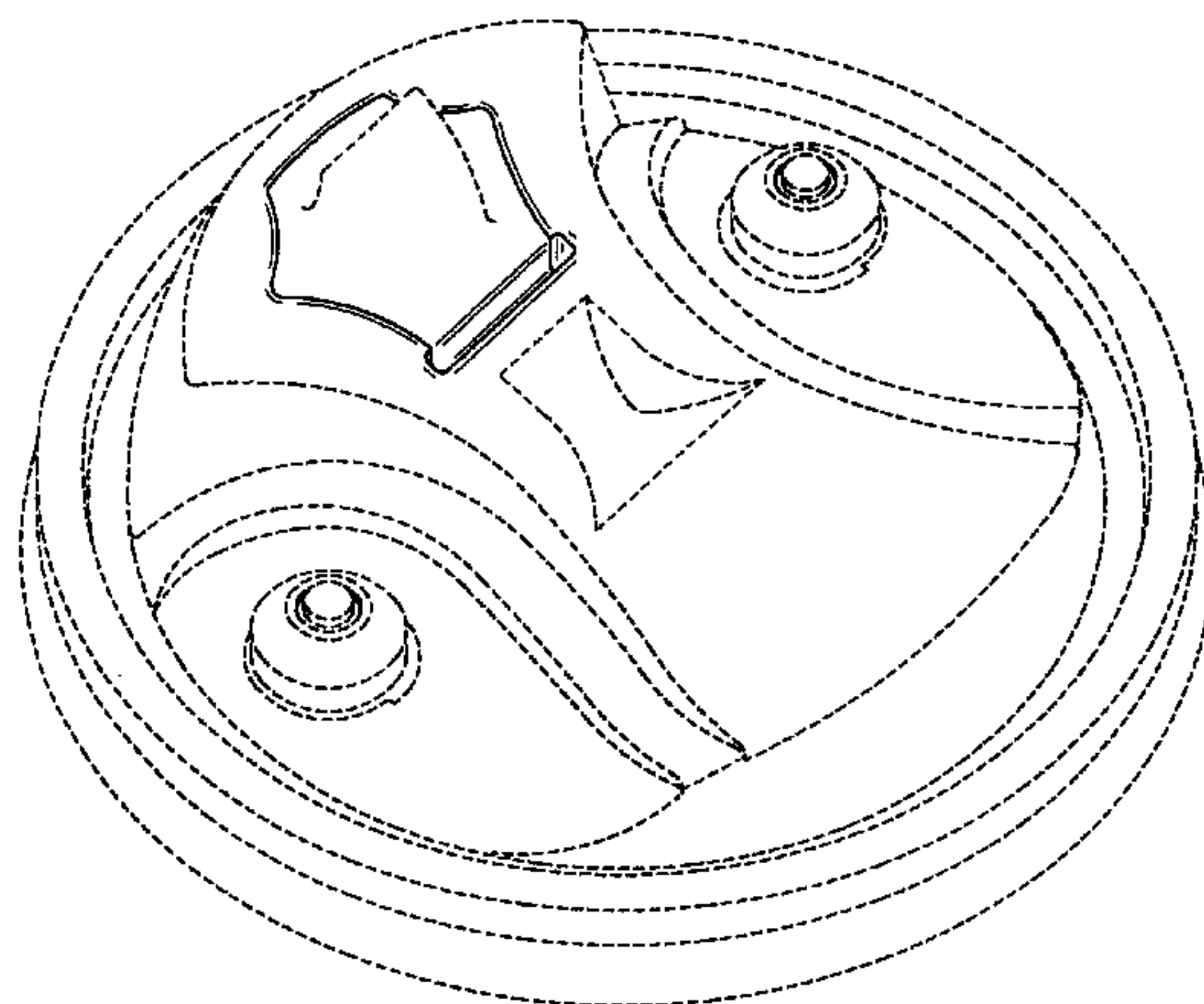
Related U.S. Application Data

- (62) Division of application No. 29/230,074, filed on May 16, 2005.
- (51) **LOC (8) Cl.** **09-07**
- (52) **U.S. Cl.** **D9/447; D9/435**
- (58) **Field of Classification Search** D9/454,
D9/450, 449, 447, 445, 441, 438, 435, 434;
D7/629, 511, 510, 396.2, 392.1, 317, 391,
D7/392; D3/203.2, 202; 222/555, 451.2;
220/713, 712, 270, 253, 454.1-9
See application file for complete search history.

References Cited

U.S. PATENT DOCUMENTS

2,184,115 A	12/1939	Geyer	4,615,459 A	10/1986	Clements
2,913,140 A *	11/1959	Vuilleminot 220/210	4,627,537 A	12/1986	Rogers
3,302,858 A	2/1967	Miller	4,629,088 A	12/1986	Durgin
3,596,792 A	8/1971	Wilcox	D287,919 S	1/1987	Clements
3,777,968 A	12/1973	Law	4,738,373 A	4/1988	DeParales
3,860,162 A	1/1975	Schutz	4,741,450 A	5/1988	Braude
3,952,910 A	4/1976	Wheeler	4,753,365 A	6/1988	Seppala
RE28,797 E	5/1976	Brewer	4,756,440 A	7/1988	Gartner
3,977,559 A	8/1976	Lombardi	4,760,934 A	8/1988	Netsch
3,977,562 A	8/1976	Wedzik	4,934,558 A	6/1990	Vargas
3,994,411 A	11/1976	Elfelt et al.	4,938,379 A	7/1990	Kellner
4,056,210 A	11/1977	Boyle	4,949,865 A	8/1990	Turner
4,090,660 A	5/1978	Schram et al.	4,953,743 A	9/1990	Dart et al.
4,106,660 A	8/1978	Boyle	5,050,759 A	9/1991	Marble



D323,116 S 1/1992 Dart et al.
 5,090,584 A 2/1992 Roberts et al.
 5,111,961 A 5/1992 Van Melle
 5,165,579 A * 11/1992 Lund 222/192
 5,183,172 A 2/1993 Boller
 5,197,624 A 3/1993 Dodaro
 5,253,781 A 10/1993 Van Melle et al.
 5,335,812 A 8/1994 Boller
 5,348,181 A 9/1994 Smith et al.
 D353,769 S 12/1994 Miller
 D354,438 S 1/1995 Miller
 5,392,949 A 2/1995 McKenna
 5,398,843 A 3/1995 Warden et al.
 D360,133 S 7/1995 Boller
 5,490,609 A 2/1996 Lane et al.
 5,503,289 A 4/1996 Fox
 5,509,568 A 4/1996 Warden et al.
 D372,866 S 8/1996 Ahern, Jr.
 D374,590 S * 10/1996 Ahern, Jr. D7/392.1
 D374,794 S * 10/1996 Ahern, Jr. D7/392.1
 5,613,619 A 3/1997 Van Melle
 5,624,053 A 4/1997 Freek et al.
 5,699,927 A 12/1997 Lane et al.
 5,706,972 A * 1/1998 Sousa 220/714
 D390,465 S 2/1998 Frye
 5,722,558 A 3/1998 Thompson
 D394,184 S 5/1998 Demore
 5,798,079 A 8/1998 Freek et al.
 5,820,016 A 10/1998 Stropkay
 5,839,601 A 11/1998 Van Melle
 D402,556 S 12/1998 Frye
 D405,011 S 2/1999 DeCoster et al.
 5,894,950 A 4/1999 Kick
 5,894,952 A 4/1999 Mendenhall et al.
 5,911,331 A 6/1999 Boller
 5,947,323 A 9/1999 Freek et al.
 D416,170 S 11/1999 Stucke, Jr. et al.
 5,979,647 A 11/1999 Han
 5,996,837 A 12/1999 Freek et al.
 D418,363 S 1/2000 Barnes et al.
 6,076,450 A 6/2000 DiGiorgio, Jr.
 6,079,588 A 6/2000 Khafizov
 6,089,397 A 7/2000 Van Melle
 6,176,390 B1 1/2001 Kemp
 6,209,748 B1 4/2001 Dunbar
 6,220,470 B1 4/2001 McHenry et al.
 6,260,727 B1 7/2001 Durdon
 D447,412 S 9/2001 Durdon
 6,398,083 B2 6/2002 Nybakke
 D461,361 S 8/2002 Orr et al.
 6,505,753 B1 1/2003 Freek et al.
 D470,009 S 2/2003 Poindexter et al.
 6,533,139 B2 3/2003 Lukacevic
 6,571,973 B1 6/2003 Tripsianes
 D476,566 S 7/2003 Smith et al.
 D476,567 S 7/2003 Weiss et al.
 D476,891 S 7/2003 Clarke et al.
 D477,223 S 7/2003 Smith et al.
 D478,006 S 8/2003 Smith et al.
 D479,802 S * 9/2003 Arduini D9/505
 6,612,456 B1 9/2003 Hundley et al.
 D480,968 S 10/2003 Atkins et al.
 D481,633 S 11/2003 Schmidtner et al.
 6,644,490 B2 11/2003 Clarke
 D485,758 S 1/2004 Clarke et al.
 D485,759 S 1/2004 Janky et al.
 6,679,397 B2 1/2004 Smith et al.
 D487,399 S 3/2004 Schmidtner et al.
 6,702,145 B2 3/2004 Malcolm
 D489,260 S 5/2004 Smith et al.
 6,732,875 B2 5/2004 Smith et al.

D493,718 S 8/2004 Durdon
 6,811,049 B2 11/2004 Lukacevic
 6,824,003 B1 11/2004 Wong
 6,874,649 B2 4/2005 Clarke et al.
 6,886,707 B2 5/2005 Giraud
 6,889,859 B1 5/2005 Leon
 6,889,860 B2 5/2005 Mazzarolo
 D522,860 S * 6/2006 LaFortune D9/449
 2002/0027139 A1 3/2002 O'Neill
 2002/0038803 A1 4/2002 Malcolm
 2003/0024929 A1 2/2003 Smith et al.
 2003/0024930 A1 2/2003 Smith et al.
 2003/0052127 A1 3/2003 Mazzarolo
 2003/0089714 A1 5/2003 Dart et al.
 2003/0089726 A1 5/2003 Mazzarolo
 2003/0102312 A1 6/2003 Horner
 2003/0116568 A1 6/2003 Clarke et al.
 2003/0178426 A1 9/2003 Freek et al.
 2003/0192890 A1 10/2003 Mazzarolo
 2003/0197012 A1 10/2003 Smith et al.
 2003/0218017 A1 11/2003 Schmidtner et al.
 2004/0035868 A1 2/2004 Smith et al.
 2004/0089662 A1 5/2004 Smith et al.
 2004/0118847 A1 6/2004 Giraud
 2004/0195239 A1 10/2004 Rush et al.
 2005/0092748 A1 5/2005 Durdon
 2005/0092749 A1 5/2005 Durdon
 2006/0226147 A1 * 10/2006 Phillips 220/254.2
 2006/0226148 A1 * 10/2006 Hundley et al. 220/254.3

* cited by examiner

Primary Examiner—Robert M. Spear
 Assistant Examiner—Susan Bennett Hattan
 (74) Attorney, Agent, or Firm—Bell Boyd & Lloyd LLC

(57) CLAIM

The ornamental design for a disposable cup lid, as shown and described.

DESCRIPTION

This application relates to the following co-pending commonly owned patent applications: “Disposable Cup Lid,” Ser. No. 29/248,892; “Disposable Cup Lid,” Ser. No. 29/248,889; “Disposable Cup Lid,” Ser. No. 29/248,885; “Disposable Cup Lid,” Ser. No. 29/248,882; “Disposable Cup Lid,” Ser. No. 29/248,886; “Disposable Cup Lid,” Ser. No. 29/248,883; “Disposable Cup Lid,” Ser. No. 29/248,888; “Disposable Cup Lid,” Ser. No. 29/248,891; and “Disposable Cup Lid,” Ser. No. 29/248,896.

FIG. 1 is a rear perspective view of a disposable cup lid of our new design, that portion of the cup lid shown in phantom is not part of the claimed design and is provided for environmental purposes only.

FIG. 2 is a top plan view of the disposable cup lid of our new design illustrated in FIG. 1, that portion of the cup lid shown in phantom is not part of the claimed design and is provided for environmental purposes only.

FIG. 3 is a bottom plan view of the disposable cup lid of our new design illustrated in FIG. 1, that portion of the cup lid shown in phantom is not part of the claimed design and is provided for environmental purposes only; and,

FIG. 4 is a rear side view of the disposable cup lid of our new design illustrated in FIG. 1, that portion of the cup lid shown in phantom is not part of the claimed design and is provided for environmental purposes only.

1 Claim, 3 Drawing Sheets

FIG. 1

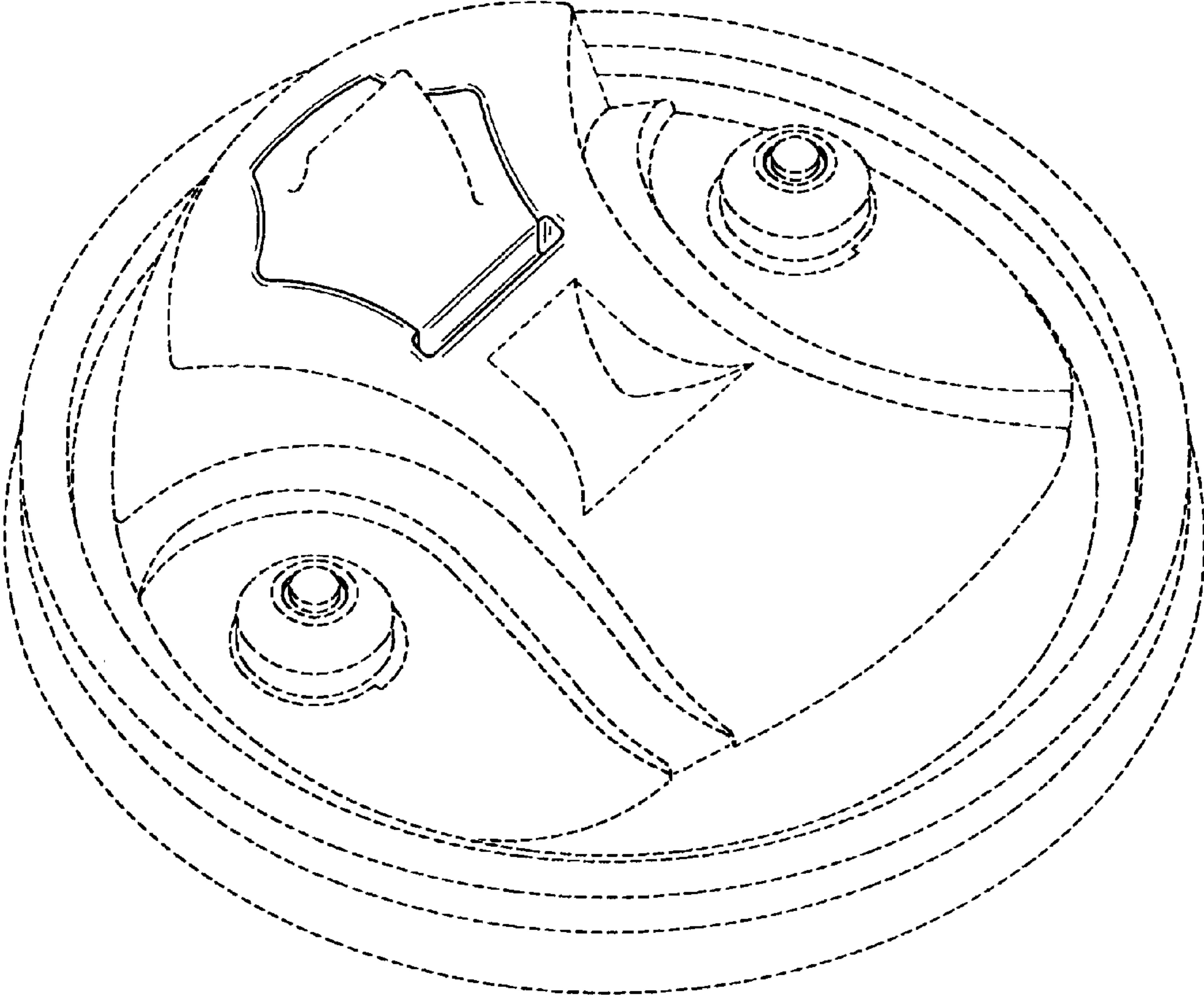


FIG. 2

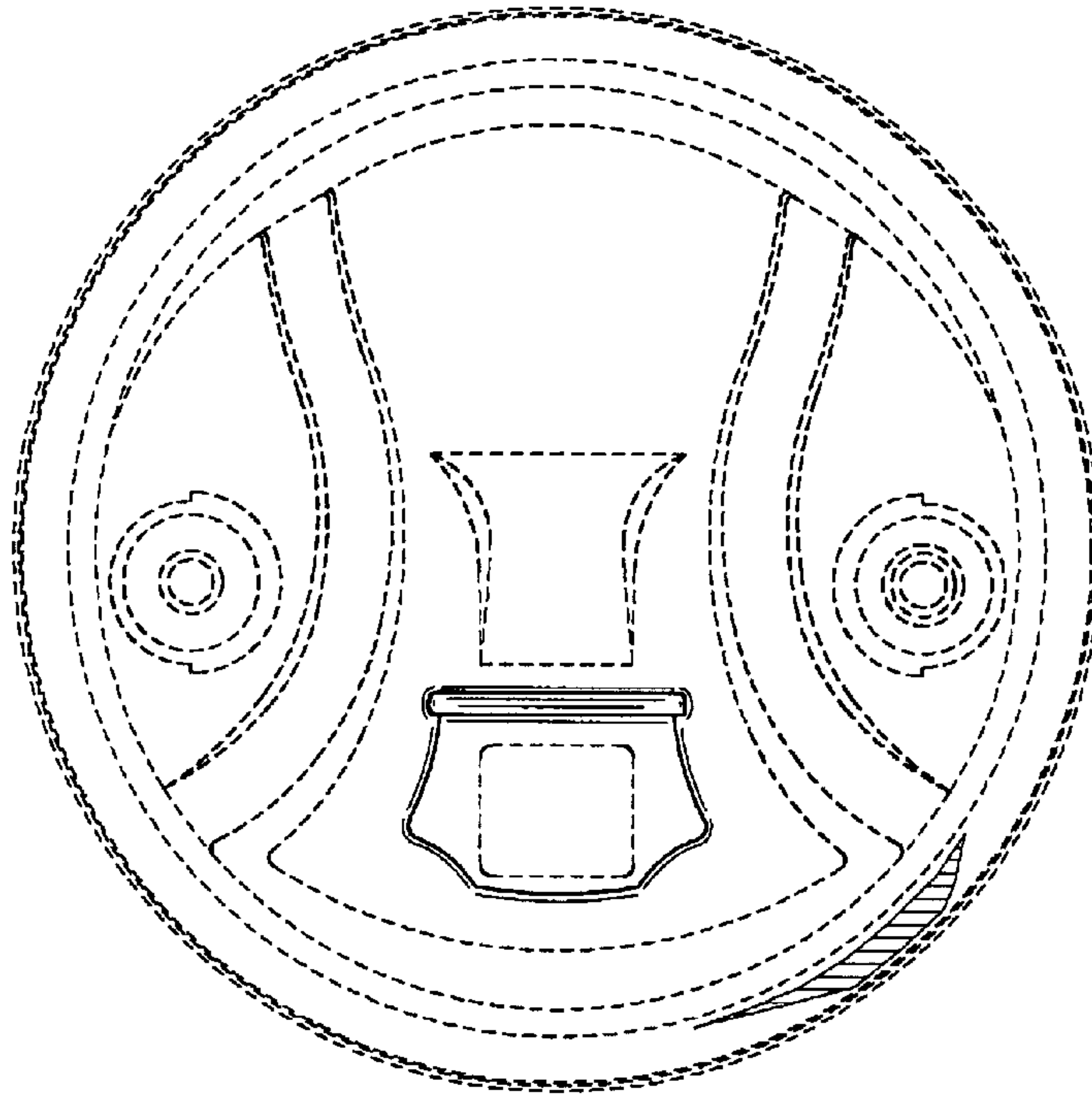


FIG. 3

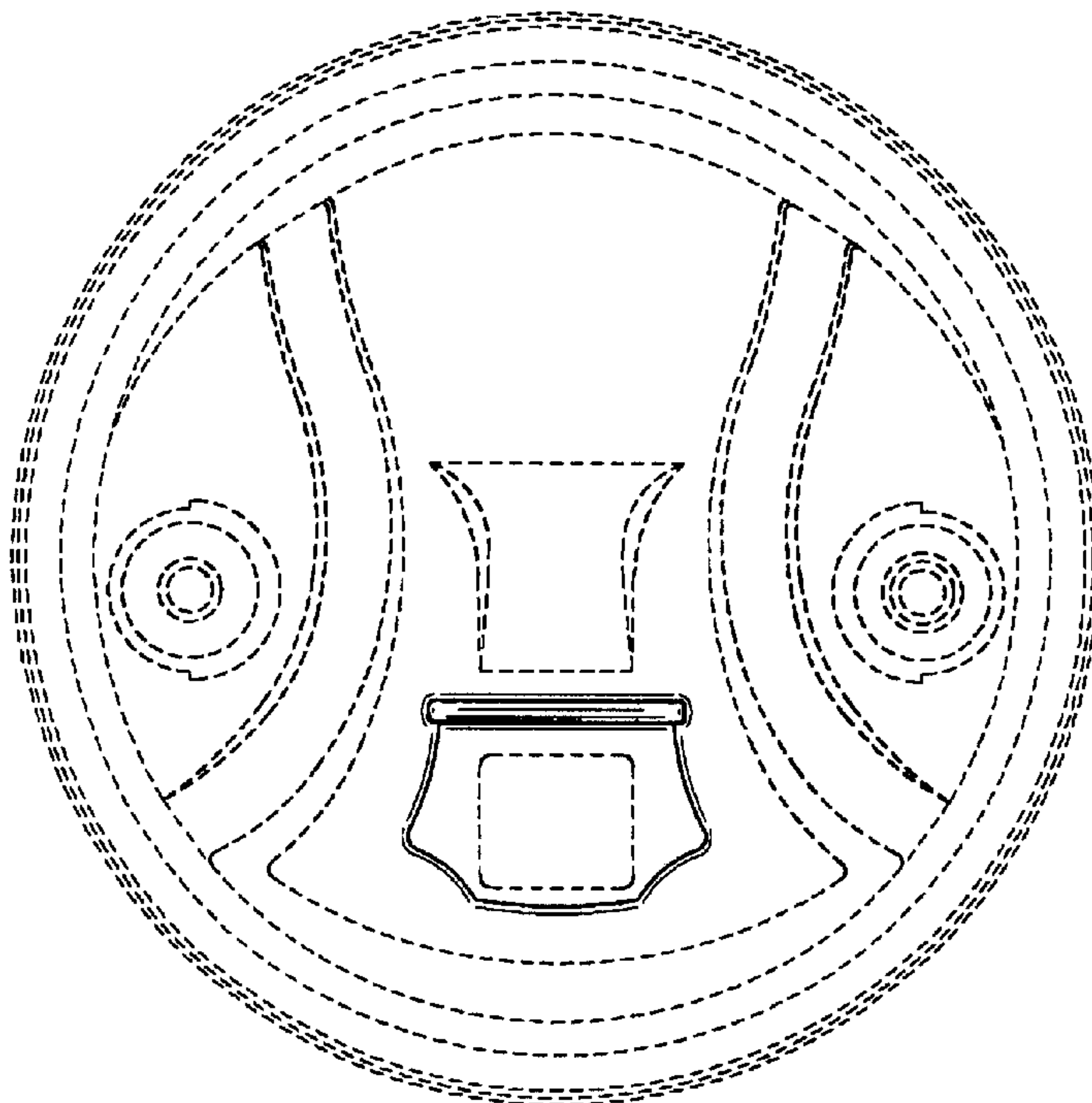


FIG. 4

