

US00D540160S

(12) **United States Design Patent**
Konop et al.

(10) **Patent No.:** **US D540,160 S**

(45) **Date of Patent:** **** Apr. 10, 2007**

(54) **DISPLAY PACKAGE**

(75) Inventors: **Gary Konop**, Germantown, WI (US);
David Kearns, Hartford, WI (US)

(73) Assignee: **Master Lock Company LLC**, Oak
Creek, WI (US)

(**) Term: **14 Years**

(21) Appl. No.: **29/244,548**

(22) Filed: **Dec. 7, 2005**

(51) **LOC (8) Cl.** **09-03**

(52) **U.S. Cl.** **D9/415**

(58) **Field of Classification Search** D9/414-436,
D9/606, 702-705, 742-753, 448; D3/260,
D3/271.2, 276, 278, 285, 289, 301, 303, 315,
D3/317, 904; 206/461-471, 292, 810
See application file for complete search history.

(56) **References Cited**

U.S. PATENT DOCUMENTS

4,020,694	A	*	5/1977	Mayhew	374/189
4,328,894	A	*	5/1982	Edell	206/461
4,948,036	A		8/1990	Loughman	
5,713,467	A	*	2/1998	Kao	206/349
6,164,463	A	*	12/2000	Lee	211/70.6
6,241,092	B1	*	6/2001	Vasudeva	206/349
6,257,536	B1		7/2001	Manuel	
6,378,700	B1	*	4/2002	Tong	206/376
6,401,924	B1		6/2002	Fresnel	
6,520,324	B1		2/2003	Matthews et al.	

6,679,379	B1	*	1/2004	Kao	206/349
6,749,060	B2		6/2004	Ford	
D494,066	S	*	8/2004	Liu	D9/457
6,935,516	B2	*	8/2005	Chiang	211/70.6
2003/0024831	A1		2/2003	Matthews et al.	
2003/0034316	A1	*	2/2003	Kao	211/70.6
2005/0035013	A1		2/2005	Bates et al.	

* cited by examiner

Primary Examiner—Stella Reid

Assistant Examiner—Thomas Johannes

(74) *Attorney, Agent, or Firm*—Calfee, Halter Griswold,
LLP

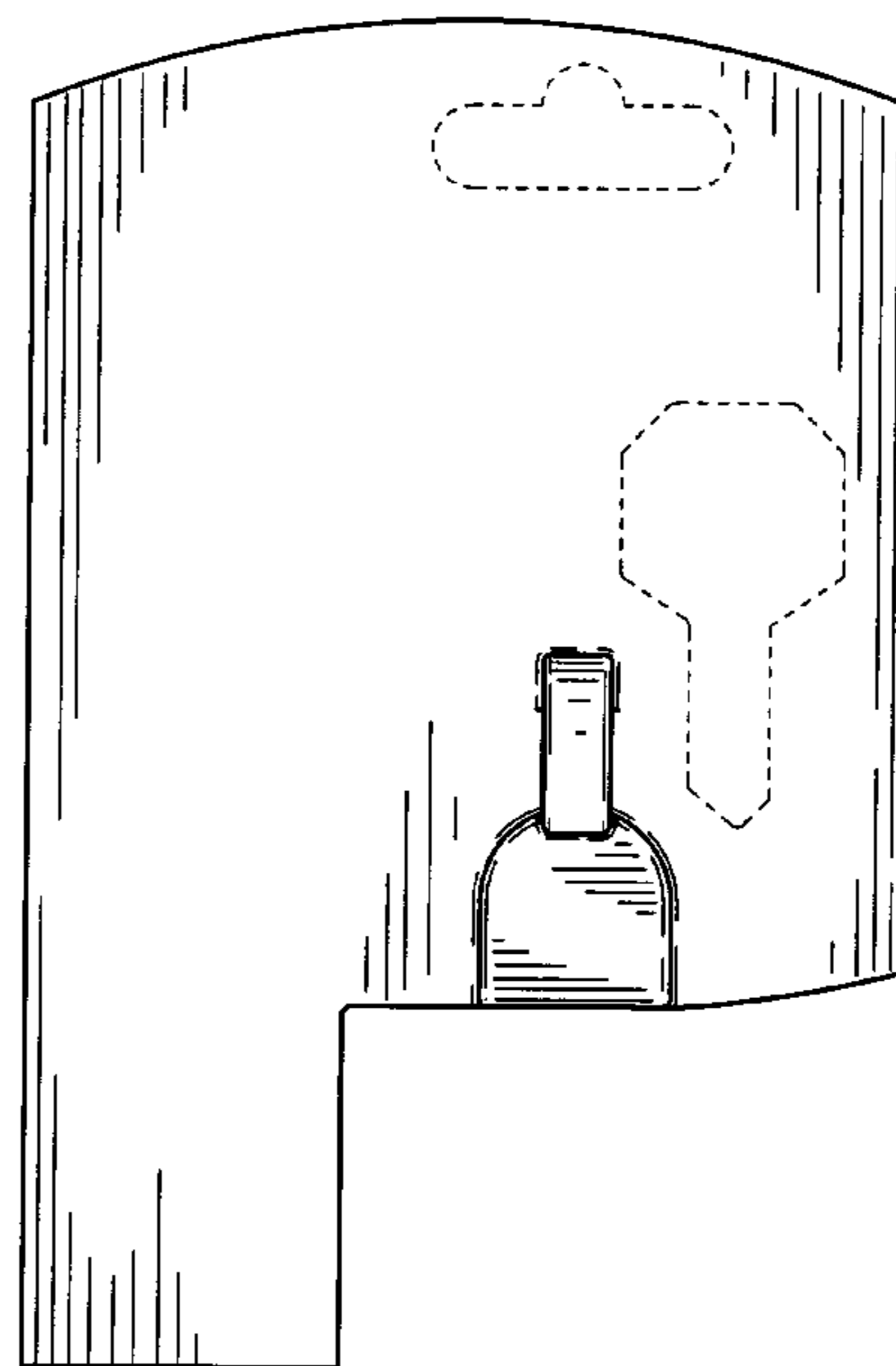
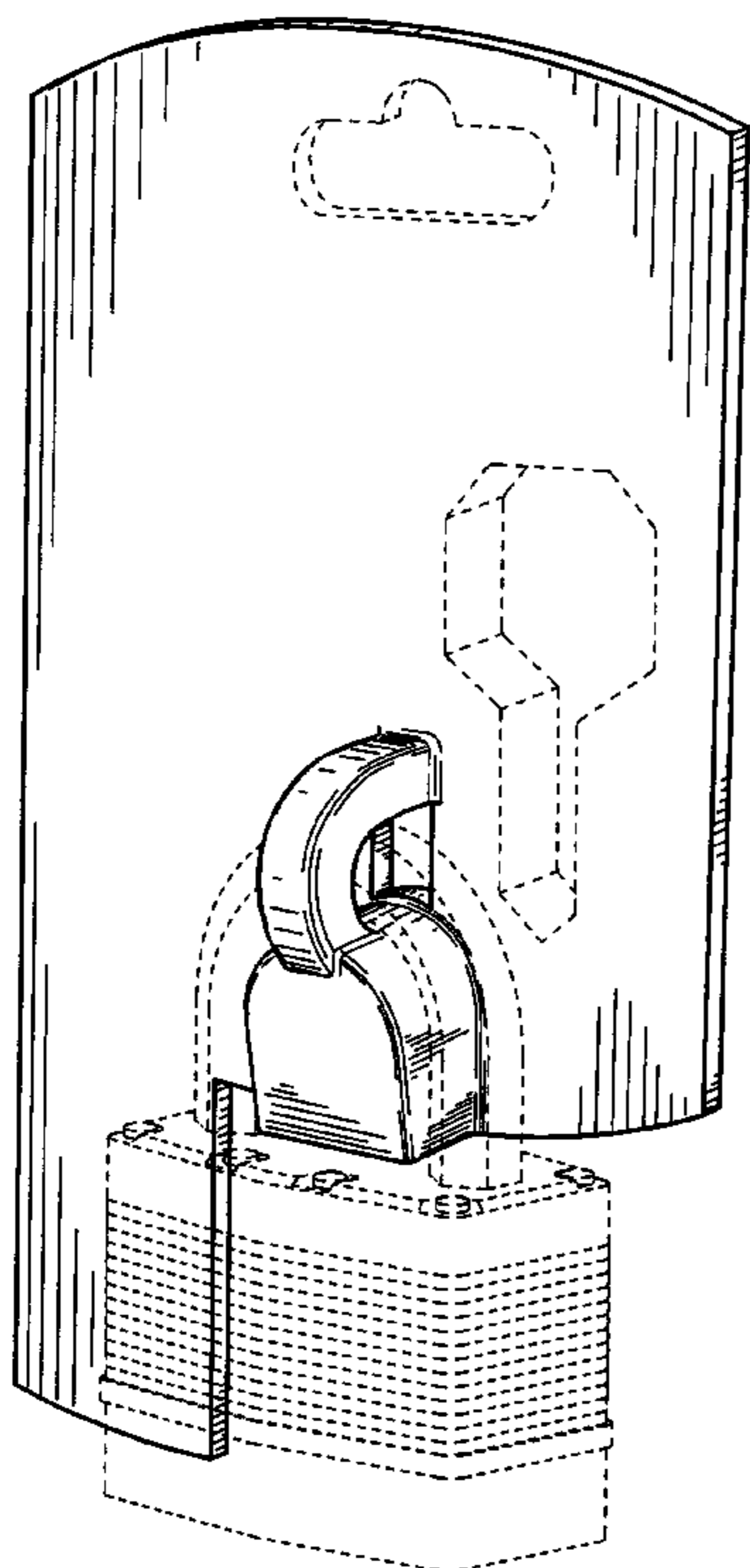
(57) **CLAIM**

The ornamental design for a display package, as shown and
described.

DESCRIPTION

FIG. 1 is a perspective view of a display package of the new
design, showing a padlock in phantom lines retained on the
display package;
FIG. 2 is a front view of the display package of FIG. 1;
FIG. 3 is a rear view of the display package of FIG. 1;
FIG. 4 is a right view of the display package of FIG. 1;
FIG. 5 is a left view of the display package of FIG. 1;
FIG. 6 is a top view of the display package of FIG. 1; and,
FIG. 7 is a bottom view of the display package of FIG. 1.
The portions of the Figures shown in phantom lines are not
part of the claimed design, but are for illustration purposes
only.

1 Claim, 3 Drawing Sheets



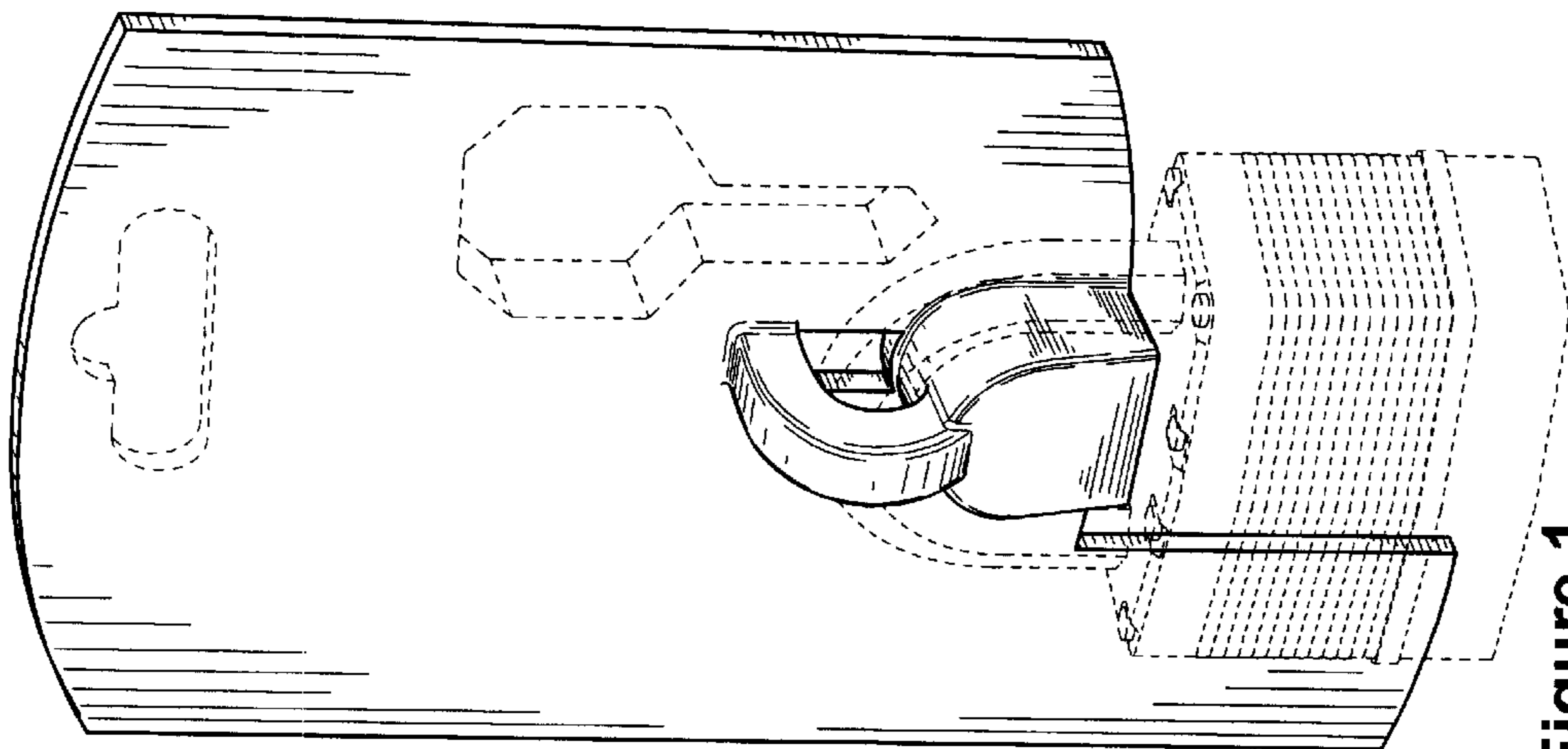


Figure 1

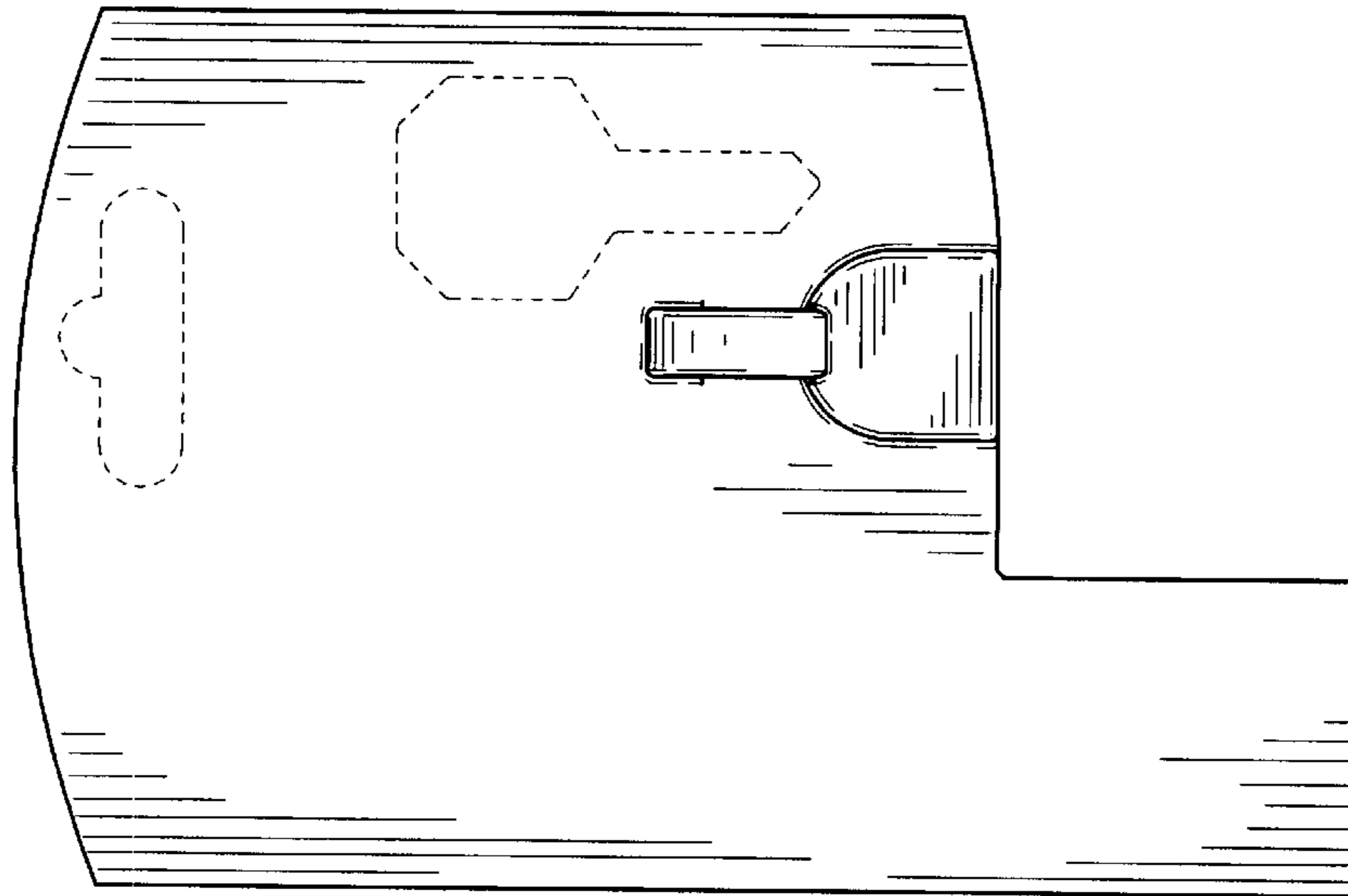


Figure 2

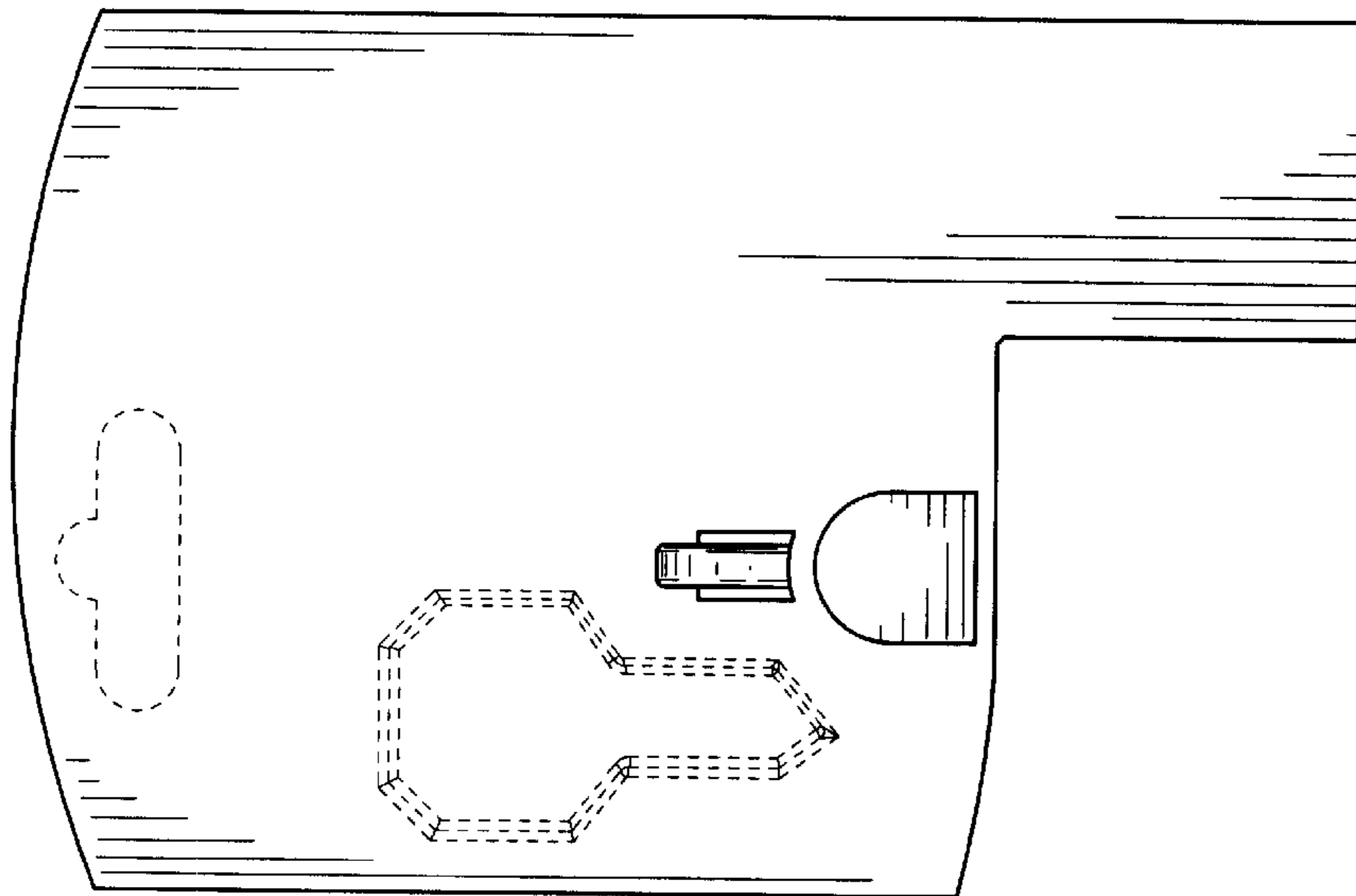


Figure 3

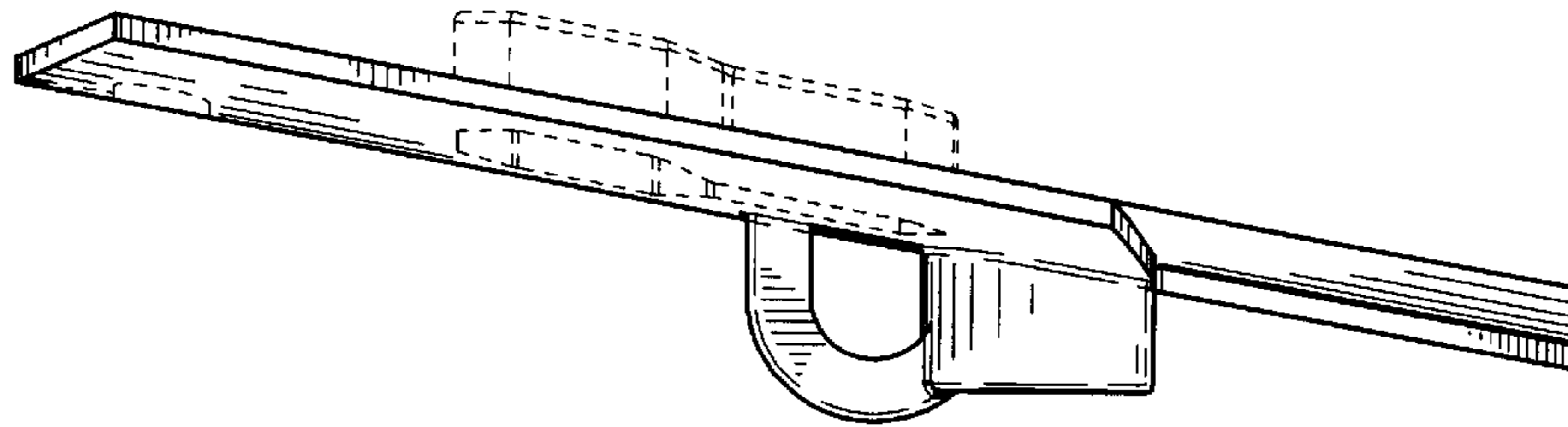


Figure 4

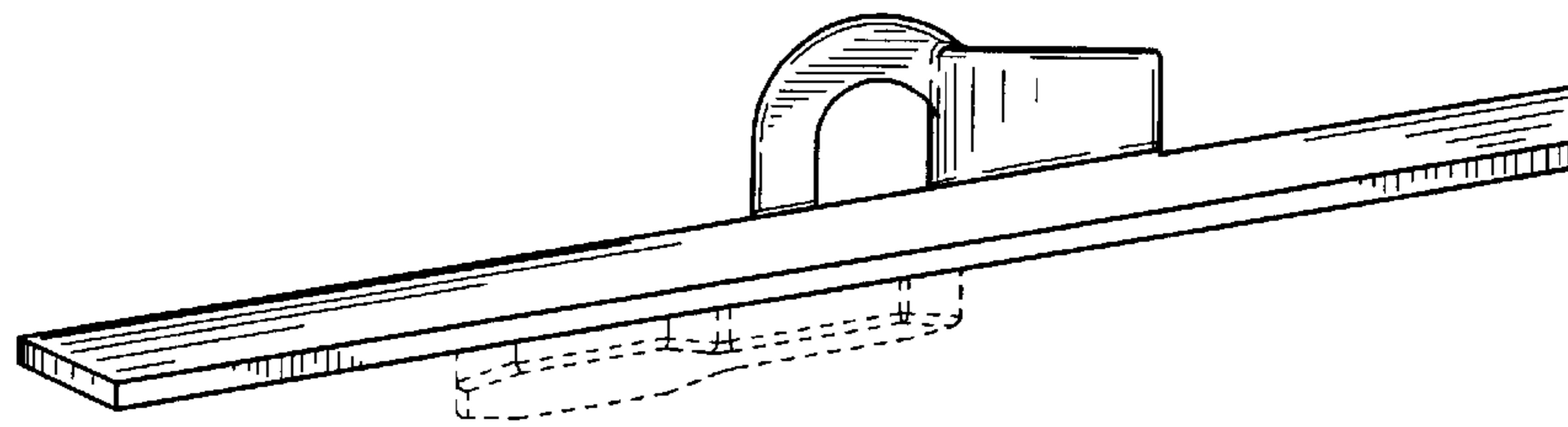


Figure 5

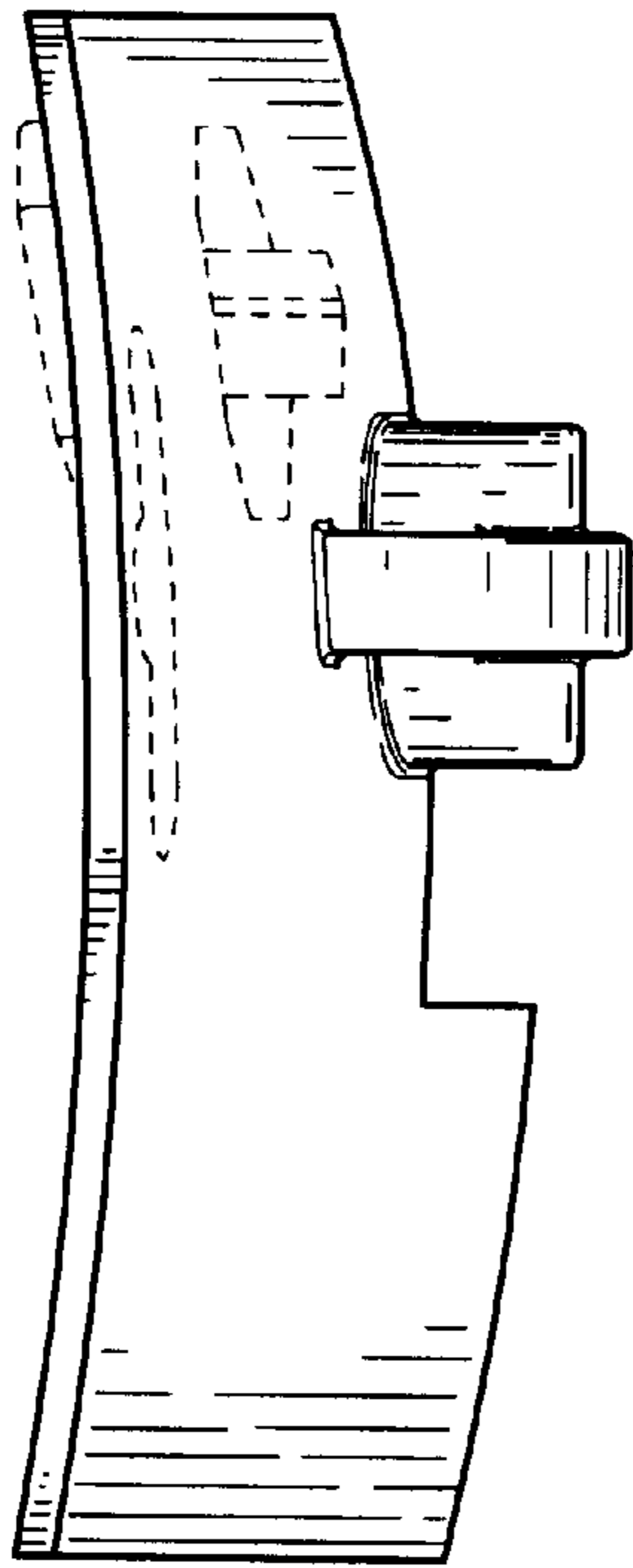


Figure 6

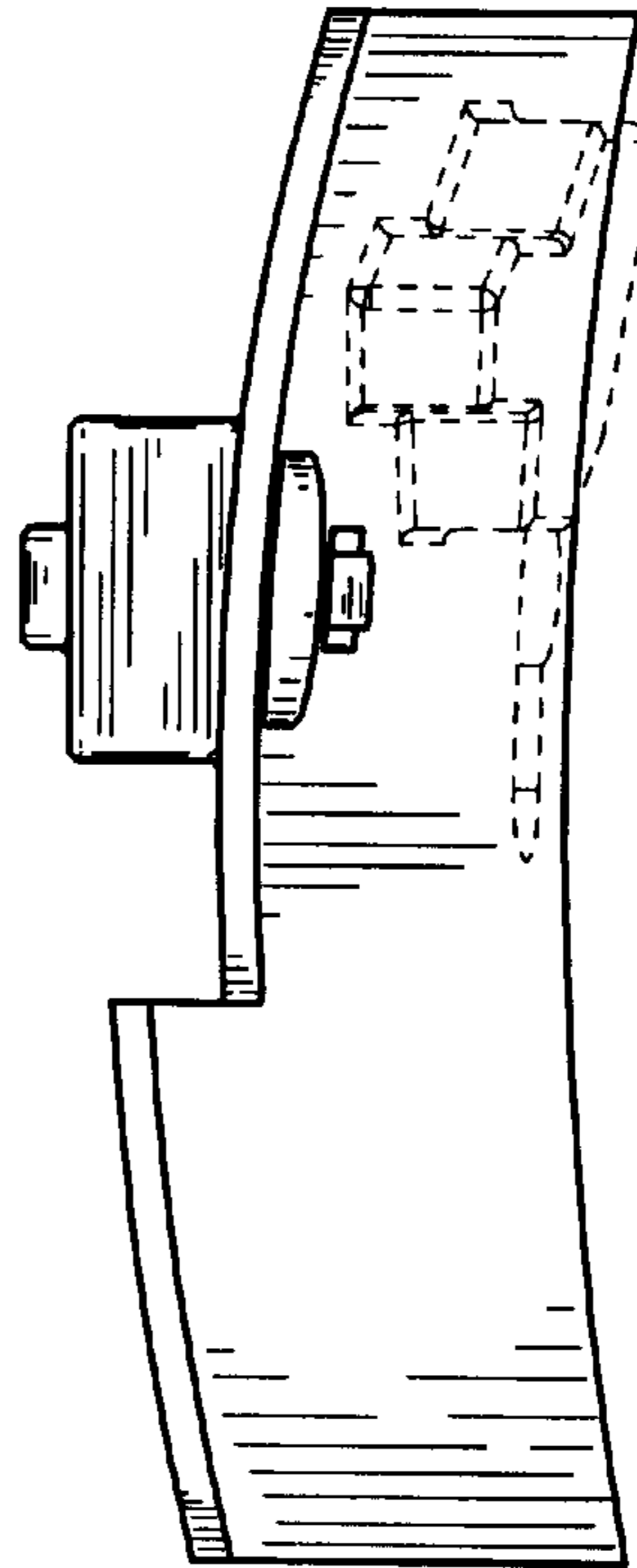


Figure 7