



US00D540157S

(12) **United States Design Patent**  
**Nagle**

(10) **Patent No.:** **US D540,157 S**

(45) **Date of Patent:** **\*\* Apr. 10, 2007**

(54) **THREE-TUBE "T" BRACKET**

(76) Inventor: **Christopher N. Nagle**, 1017 Bucks Rd., Perkasio, PA (US) 18944

(\*\*) Term: **14 Years**

(21) Appl. No.: **29/204,902**

(22) Filed: **May 6, 2004**

(51) **LOC (8) Cl.** ..... **08-08**

(52) **U.S. Cl.** ..... **D8/396**

(58) **Field of Classification Search** ..... D8/354-356, D8/371, 394-396; 24/16 R; 248/49, 62, 74.1-74.4  
See application file for complete search history.

(56) **References Cited**

**U.S. PATENT DOCUMENTS**

3,188,030	A	*	6/1965	Fischer	.....	248/68.1
3,464,661	A	*	9/1969	Alesi	.....	248/68.1
D232,917	S	*	9/1974	Vincent	.....	D8/354
3,856,246	A	*	12/1974	Sinko	.....	248/68.1
4,202,520	A	*	5/1980	Loos et al.	.....	248/68.1
5,827,441	A	*	10/1998	Solbjorg	.....	249/91

5,992,802	A	*	11/1999	Campbell	.....	248/68.1
D417,611	S	*	12/1999	van de Lande	.....	D8/395
D485,161	S	*	1/2004	Hutchinson	.....	D8/383

\* cited by examiner

*Primary Examiner*—Louis S. Zarfaz  
*Assistant Examiner*—John Windmuller

(57) **CLAIM**

The ornamental design for a three-tube "T" bracket, as shown and described.

**DESCRIPTION**

FIG. 1 is a perspective view of a three-tube "T" bracket showing my new design;  
FIG. 2 is a right elevational view thereof.  
FIG. 3 is a left elevational view thereof.  
FIG. 4 is a front side elevational view thereof.  
FIG. 5 is a rear side elevational view thereof; and,  
FIG. 6 is a top plan view thereof.  
The broken lines are for illustrative purposes only and form no part of the claimed design.

**1 Claim, 6 Drawing Sheets**

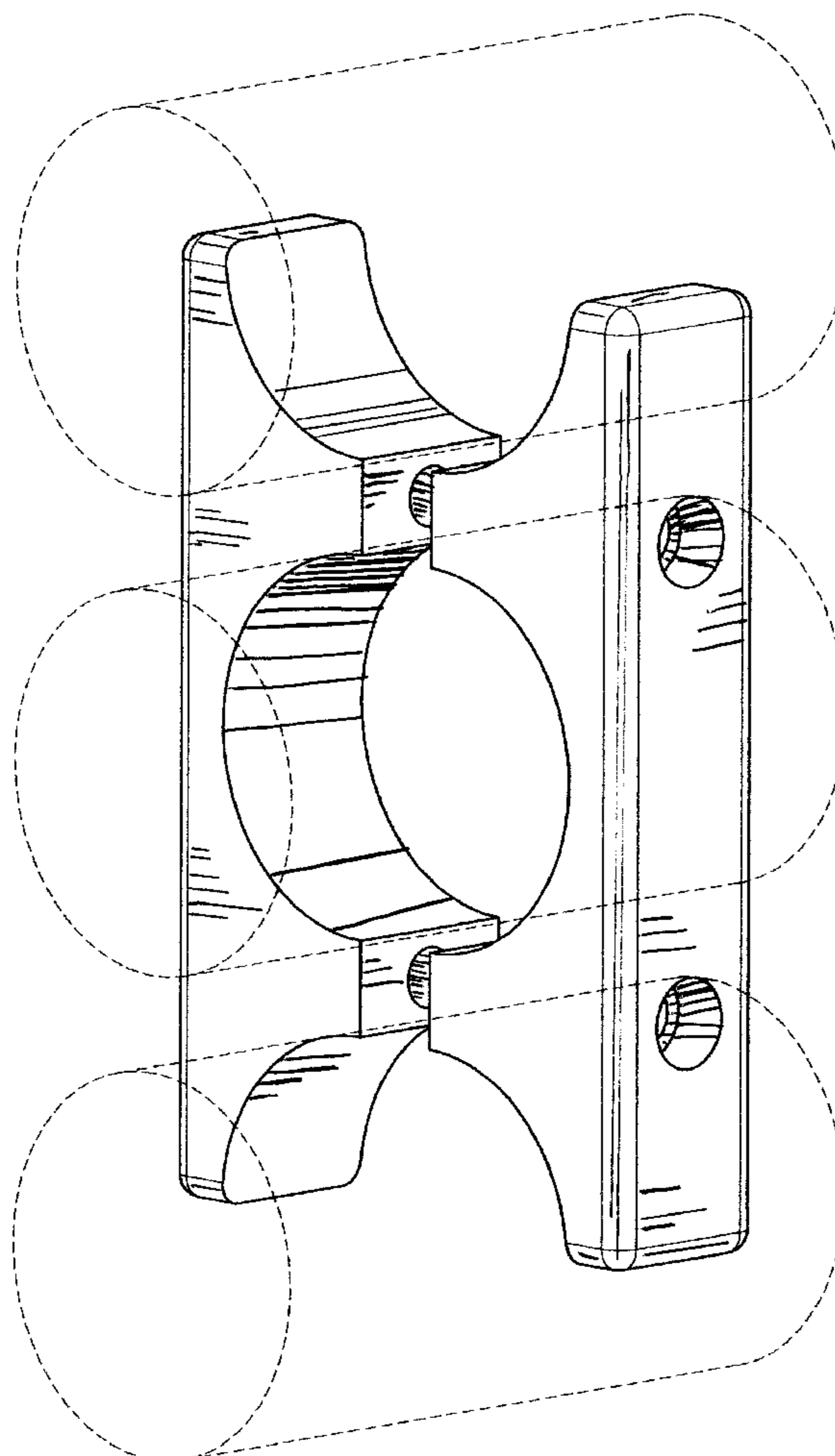


FIG. 1

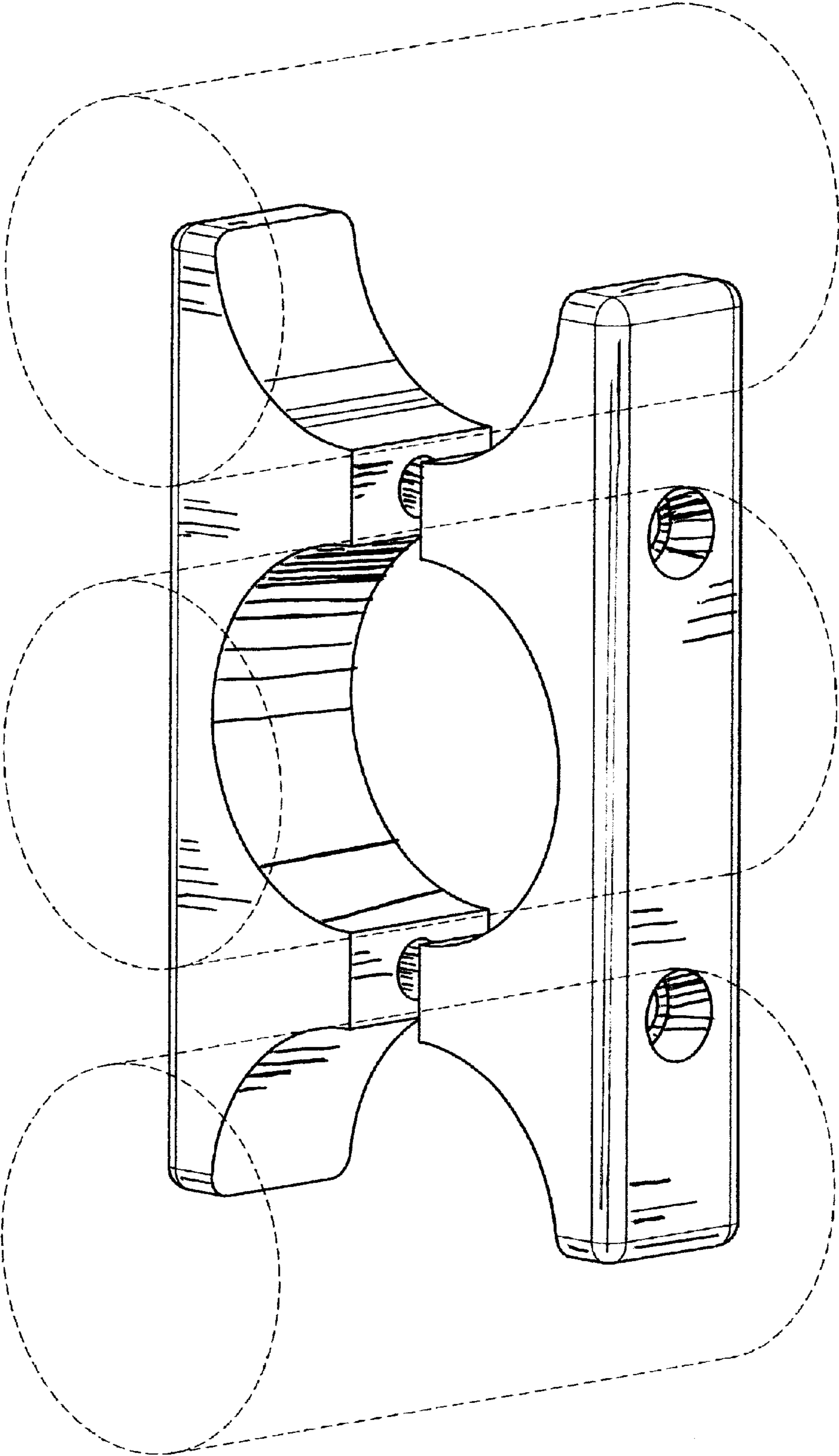


FIG. 2

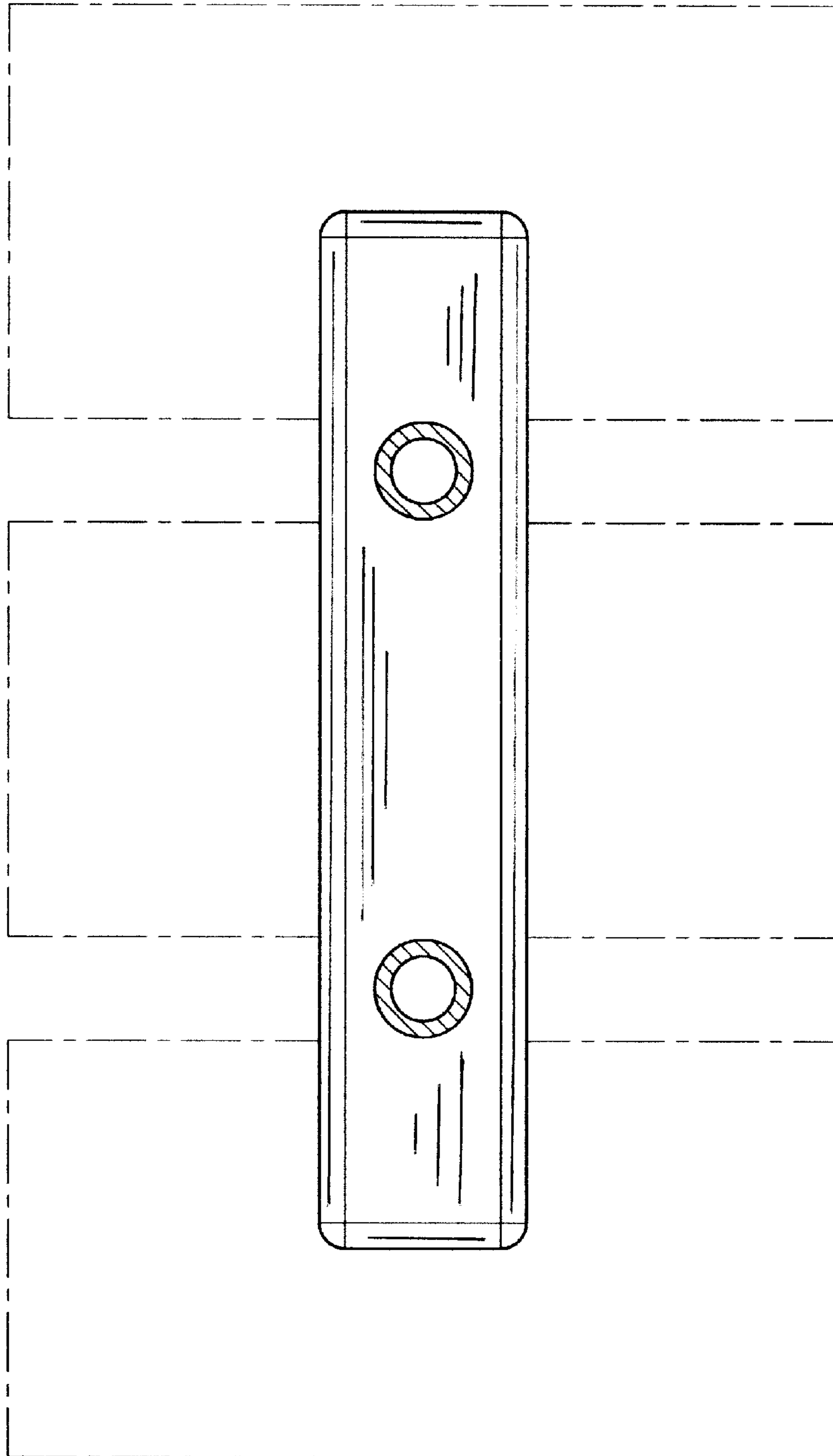


FIG. 3

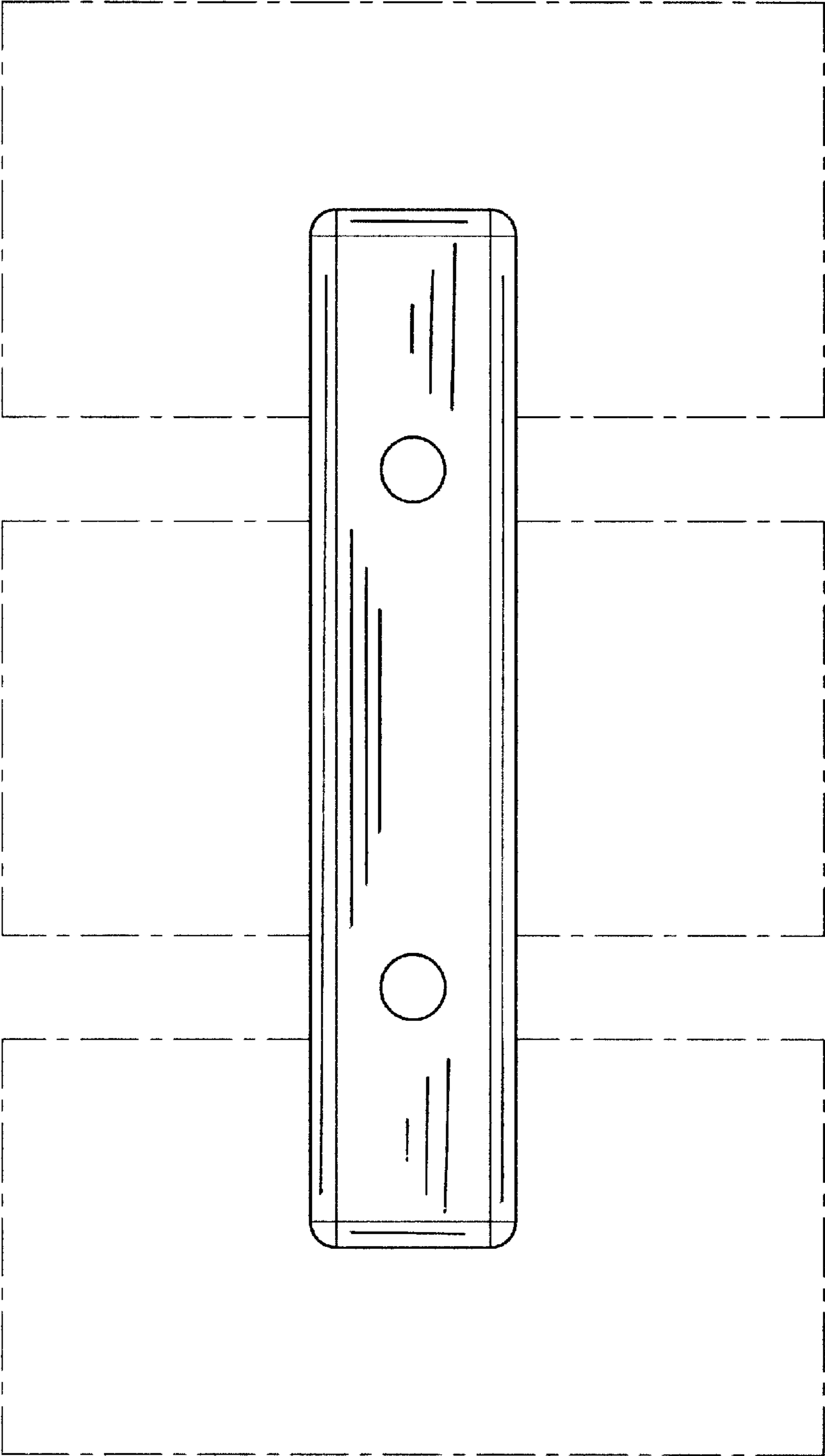


FIG. 4

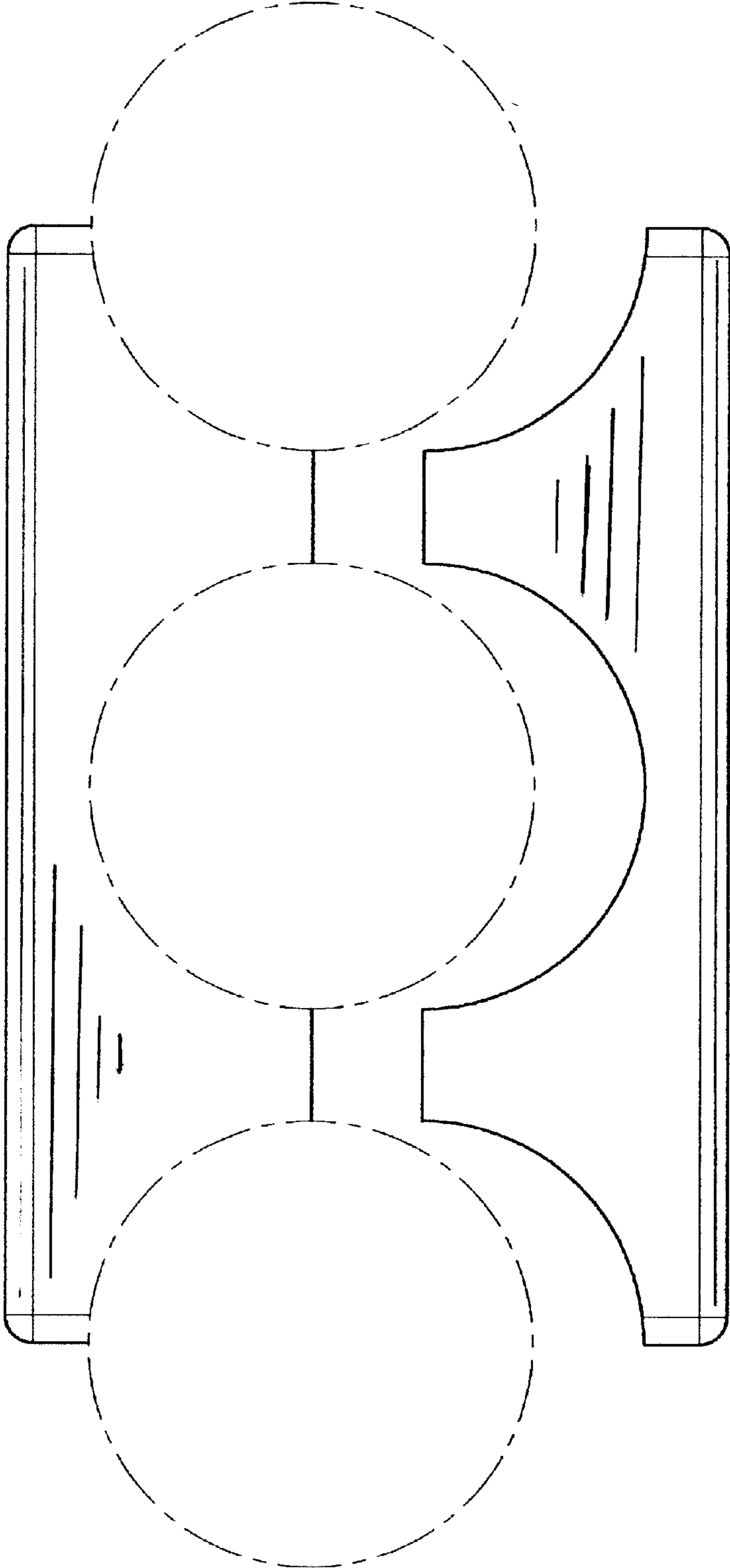


FIG. 5

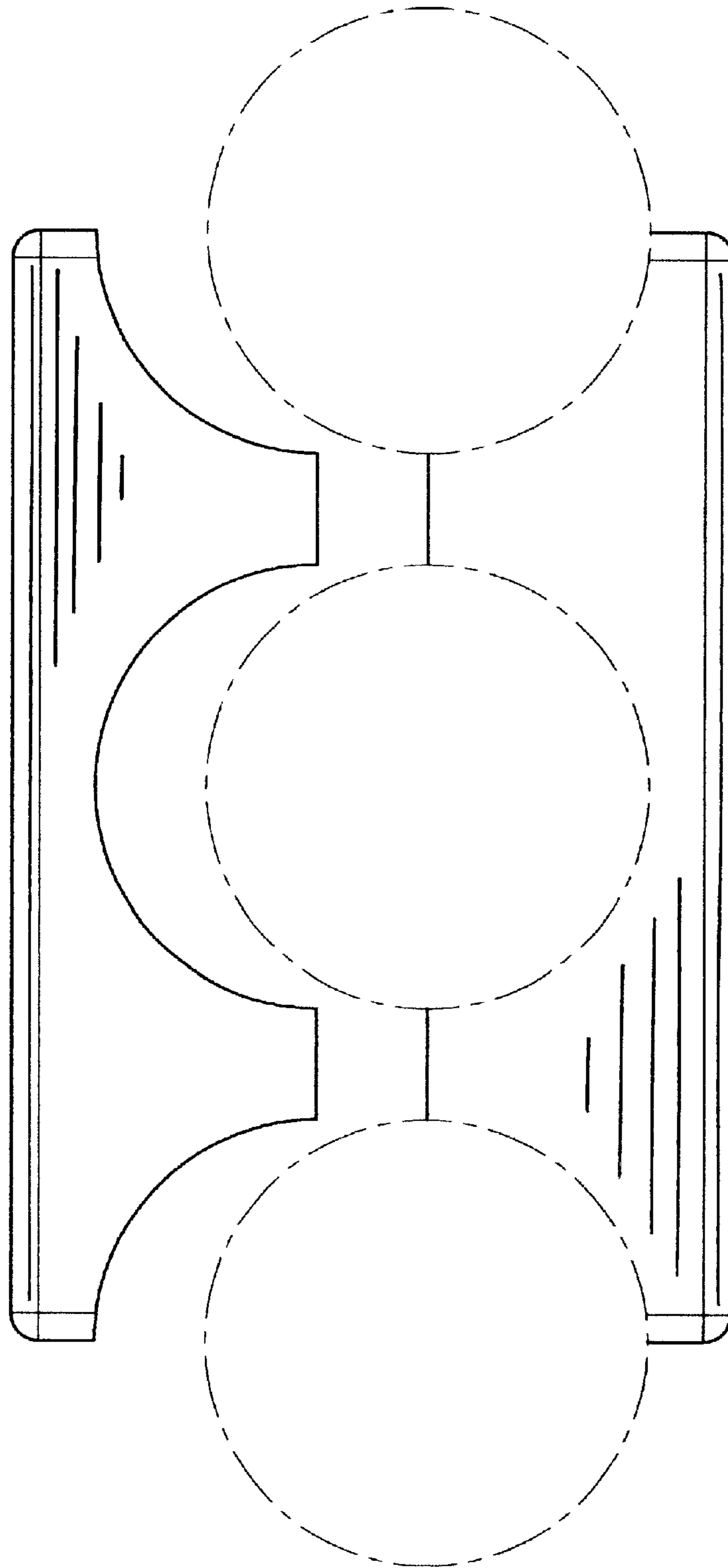


FIG. 6

