



US00D540156S

(12) **United States Design Patent**  
**Bryant**

(10) **Patent No.:** **US D540,156 S**

(45) **Date of Patent:** **\*\* Apr. 10, 2007**

(54) **OPEN LOOP RETAINING CLIP**

(76) **Inventor:** **Todd Winters Bryant**, 131 Hickory  
Creek Ct., Winston-Salem, NC (US)  
27107

(\*\*) **Term:** **14 Years**

(21) **Appl. No.:** **29/243,196**

(22) **Filed:** **Nov. 21, 2005**

(51) **LOC (8) Cl.** ..... **08-08**

(52) **U.S. Cl.** ..... **D8/382; D8/367**

(58) **Field of Classification Search** ..... D8/349,  
D8/367, 382, 385, 388; D21/840; 24/115 R,  
24/115 K, 115 G, 115 H, 129 R; 248/467  
See application file for complete search history.

(56) **References Cited**

**U.S. PATENT DOCUMENTS**

D27,752 S	*	10/1897	Prindle	.....	D8/382
D28,065 S	*	12/1897	Bubbard	.....	D8/382
D30,995 S	*	6/1899	Wright	.....	D8/366
D44,288 S	*	7/1913	Reynolds	.....	D8/382
D267,230 S	*	12/1982	LaViolette et al.	.....	D8/382
D269,155 S	*	5/1983	Rose	.....	D8/356
D272,231 S	*	1/1984	Black, Jr.	.....	D8/349

D302,241 S	*	7/1989	Solbeck	.....	D8/382
D337,255 S	*	7/1993	Novelli, Sr.	.....	D8/356
D354,433 S	*	1/1995	Anscher	.....	D8/382
D407,301 S	*	3/1999	Donalies	.....	D8/382
D457,419 S	*	5/2002	McSherry et al.	.....	D8/367
D481,297 S	*	10/2003	Read et al.	.....	D8/373
D511,087 S	*	11/2005	Okamoto	.....	D8/354

\* cited by examiner

*Primary Examiner*—Holly H. Baynham  
*Assistant Examiner*—Cynthia M. Chin

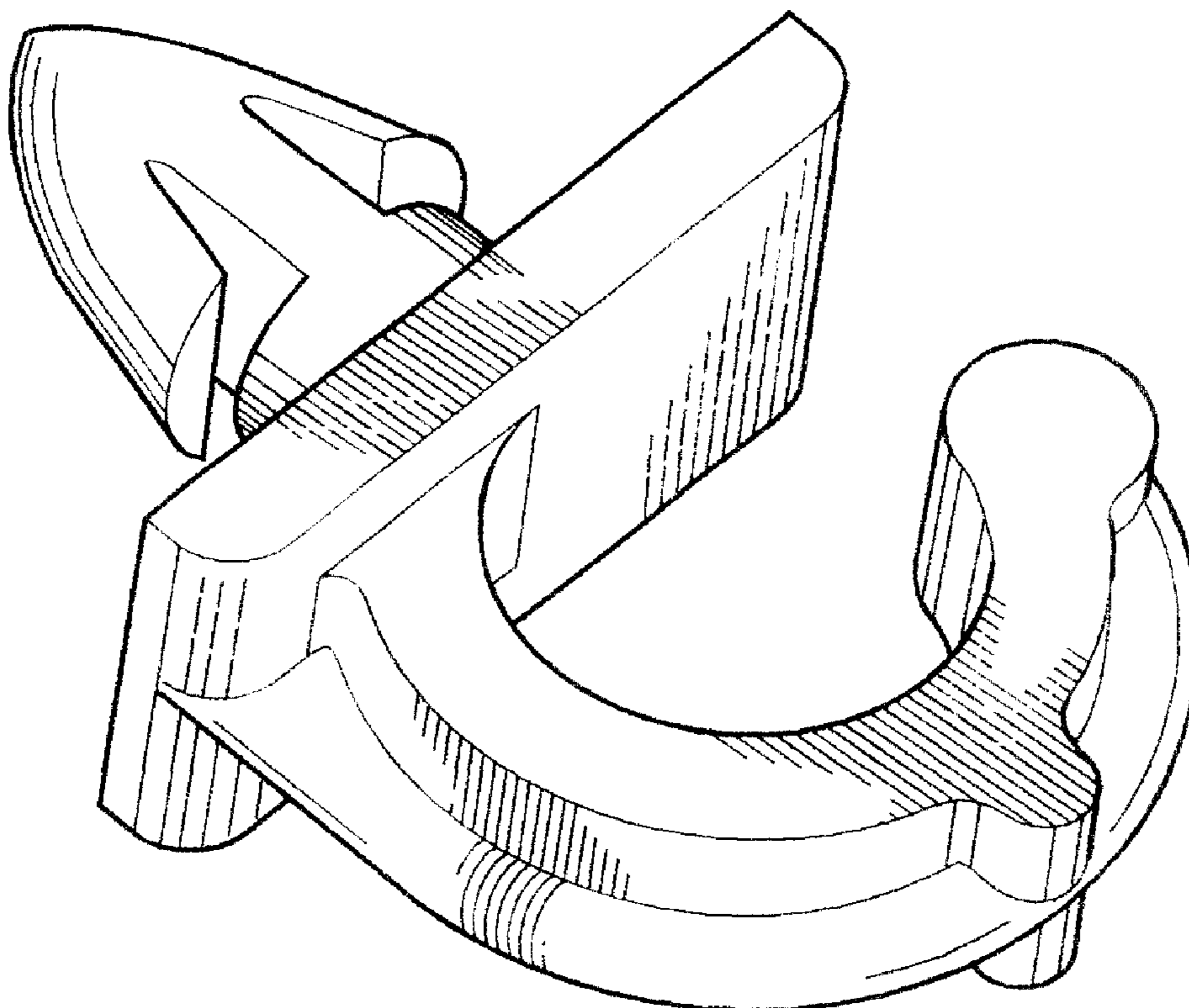
(57) **CLAIM**

The ornamental design for an open loop retaining clip, as shown and described.

**DESCRIPTION**

FIG. 1 is a perspective view of the open loop retaining clip comprising the present invention;  
FIG. 2 is a side elevational view thereof; the opposite side elevational view being a mirror image thereof;  
FIG. 3 is a front elevational view thereof;  
FIG. 4 is a rear elevational view thereof;  
FIG. 5 is a top plan view thereof; and,  
FIG. 6 is a bottom plan view thereof.

**1 Claim, 3 Drawing Sheets**



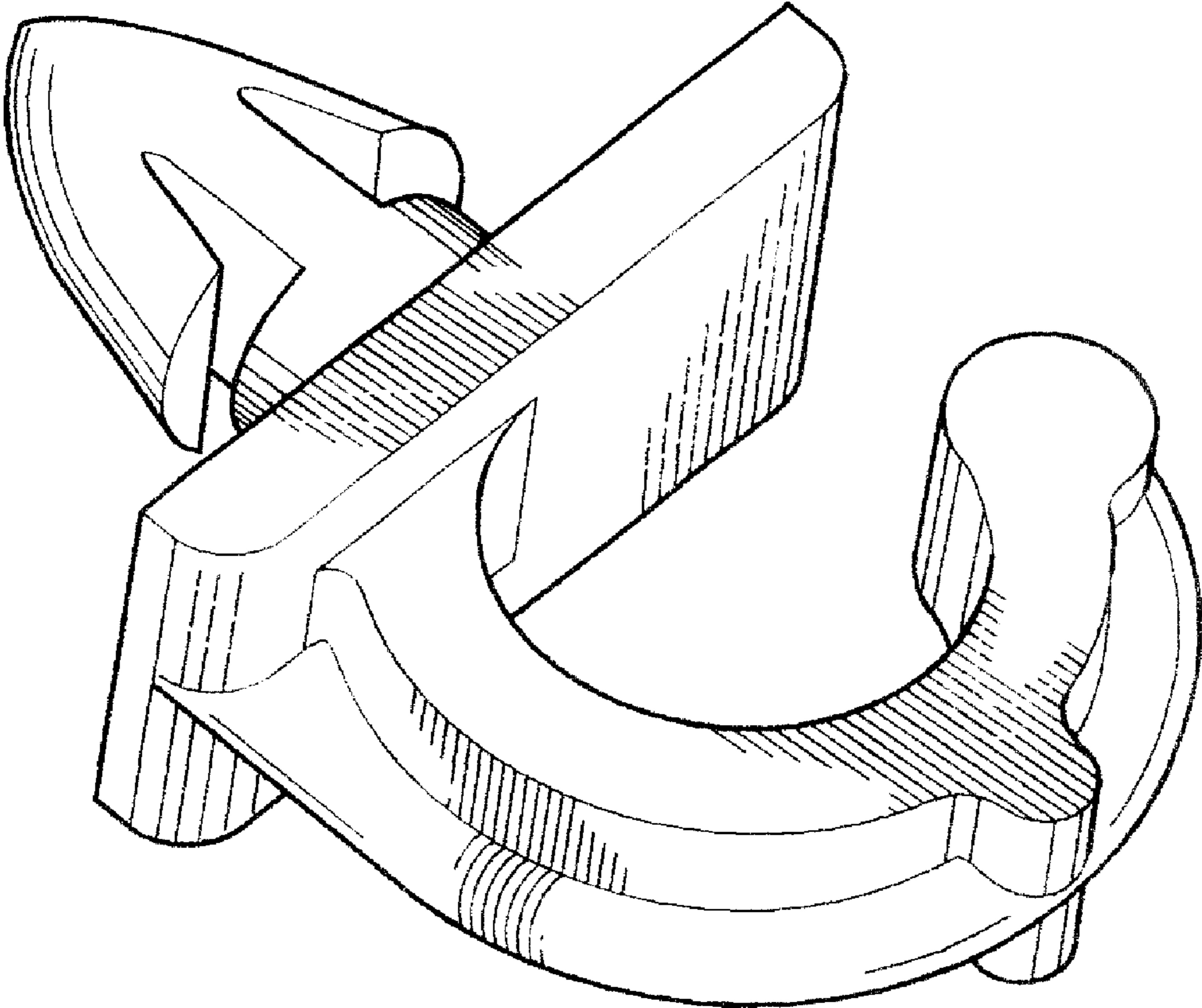


Fig. 1

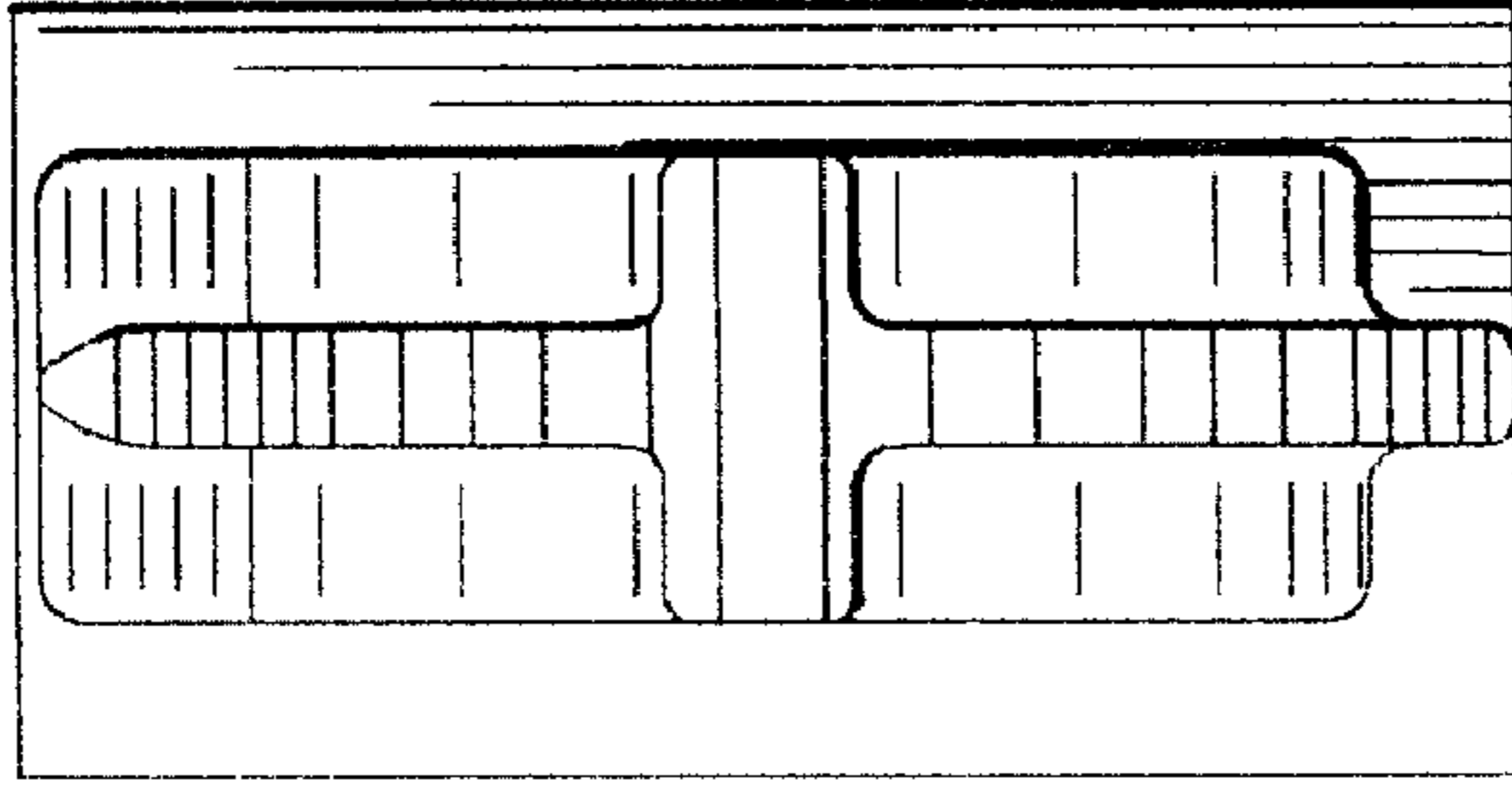


Fig. 2

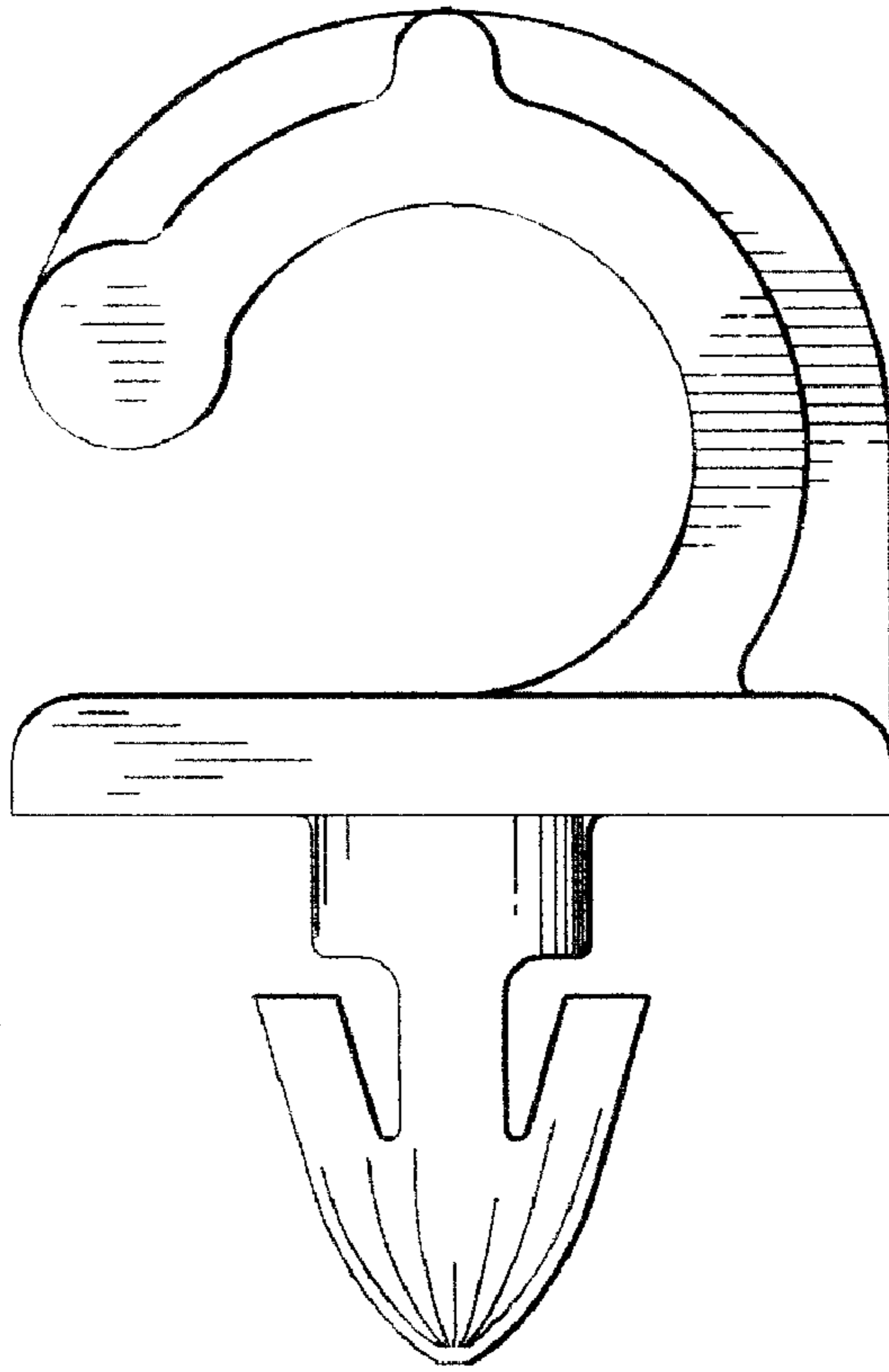


Fig. 3

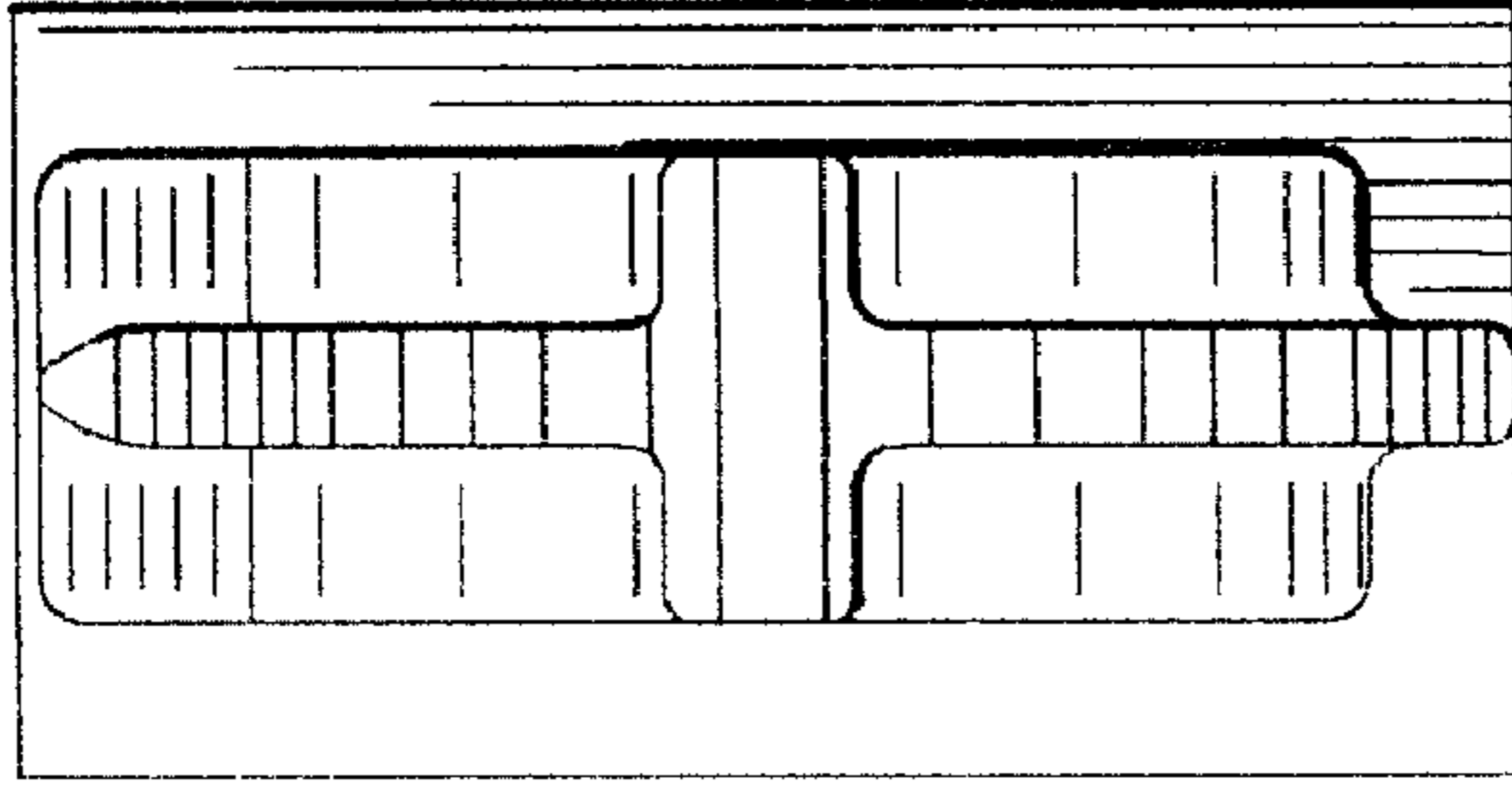


Fig. 4

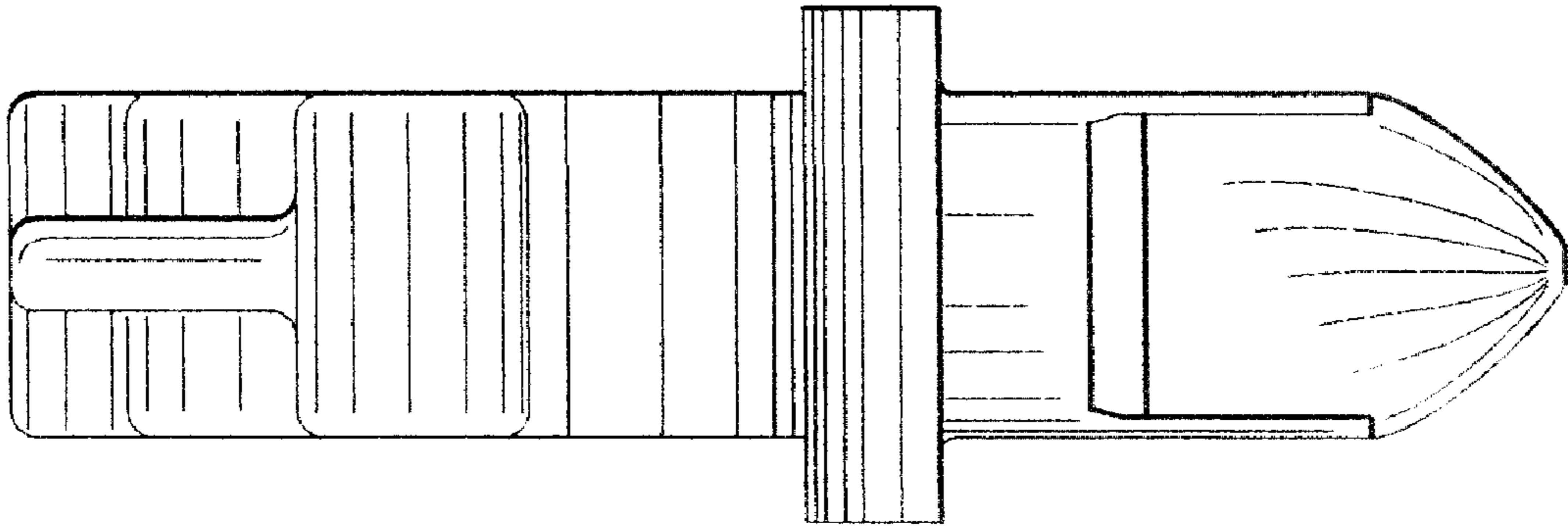


Fig. 6

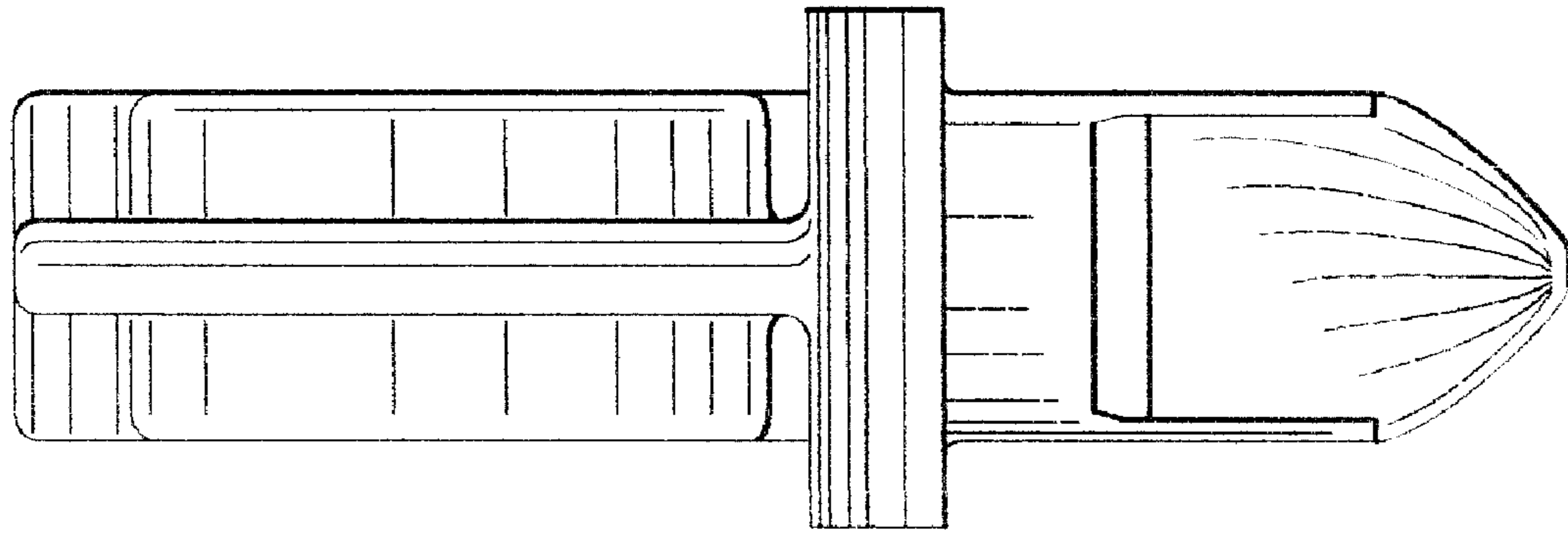


Fig. 5