



US00D540150S

(12) **United States Design Patent**  
**Wilson et al.**

(10) **Patent No.: US D540,150 S**  
(45) **Date of Patent: \*\* Apr. 10, 2007**

(54) **INTERNAL LOCK**  
(75) Inventors: **Randy Wilson**, Elkhart, IN (US);  
**Kenneth Lemberger**, Imperial, MO (US)  
(73) Assignee: **M-3 and Associates, Inc.**, Elkhart, IN (US)  
(\*\*) Term: **14 Years**  
(21) Appl. No.: **29/221,549**  
(22) Filed: **Jan. 18, 2005**  
(51) **LOC (8) Cl.** ..... **08-07**  
(52) **U.S. Cl.** ..... **D8/339**  
(58) **Field of Classification Search** ..... D8/330,  
D8/331, 339-342, 349, 367, 400; 70/14,  
70/19, 57, 57.1, 58, 51, 52, 199, 237, 240,  
70/431, 288, 94, 99, 100; 292/92, 339, 259 R,  
292/259 A  
See application file for complete search history.

6,065,314 A 5/2000 Nicholson  
6,474,707 B1 \* 11/2002 Simonis ..... 292/259 R  
6,530,247 B2 3/2003 Moores  
6,592,155 B1 7/2003 Lemley et al.  
6,615,623 B1 9/2003 Ormerod  
6,619,708 B1 \* 9/2003 Naylor ..... 292/259 R  
6,655,762 B2 12/2003 Krueger  
6,675,615 B1 1/2004 Williams  
6,685,285 B1 2/2004 Fromme et al.  
6,705,652 B2 \* 3/2004 Engel ..... 292/259 R  
6,834,896 B2 \* 12/2004 Smith ..... 292/259 R  
D504,301 S \* 4/2005 Wood ..... D8/339  
2002/0017520 A1 2/2002 Smith  
2002/0020706 A1 2/2002 Smith  
2002/0108410 A1 8/2002 Webb et al.  
2002/0179606 A1 12/2002 Houk, Jr. et al.  
2003/0067176 A1 4/2003 Stevens et al.  
2004/0173614 A1 9/2004 Rosler

**FOREIGN PATENT DOCUMENTS**

EP 1338736 8/2003  
GB 2 228 516 8/1990  
JP 04096712 3/1992  
JP 05213388 8/1993  
WO WO2004014764 2/2004

\* cited by examiner

*Primary Examiner*—Prabhakar Deshmukh  
(74) *Attorney, Agent, or Firm*—Barnes & Thornburg LLP

(56) **References Cited**  
U.S. PATENT DOCUMENTS

3,615,114 A \* 10/1971 Harris ..... 292/288  
3,843,174 A 10/1974 Bogunovich et al.  
3,866,961 A 2/1975 List  
D236,082 S \* 7/1975 Williams et al. .... D8/339  
4,120,183 A 10/1978 Walters  
4,120,415 A 10/1978 Hopkins et al.  
4,135,376 A 1/1979 Evans et al.  
4,580,818 A 4/1986 Lyng  
4,765,664 A 8/1988 Siegel  
5,165,741 A \* 11/1992 Everett ..... 292/259 R  
D349,638 S \* 8/1994 Gutierrez ..... D8/331  
5,353,206 A 10/1994 Fejes  
5,360,246 A 11/1994 Leiter et al.  
5,447,046 A 9/1995 Duffus  
5,622,397 A 4/1997 Rice et al.  
5,669,641 A \* 9/1997 Jeansonne ..... 292/259 R  
D396,795 S \* 8/1998 Francom ..... D8/339  
5,826,923 A \* 10/1998 Bethurem ..... 292/259 R  
5,873,273 A 2/1999 Vick

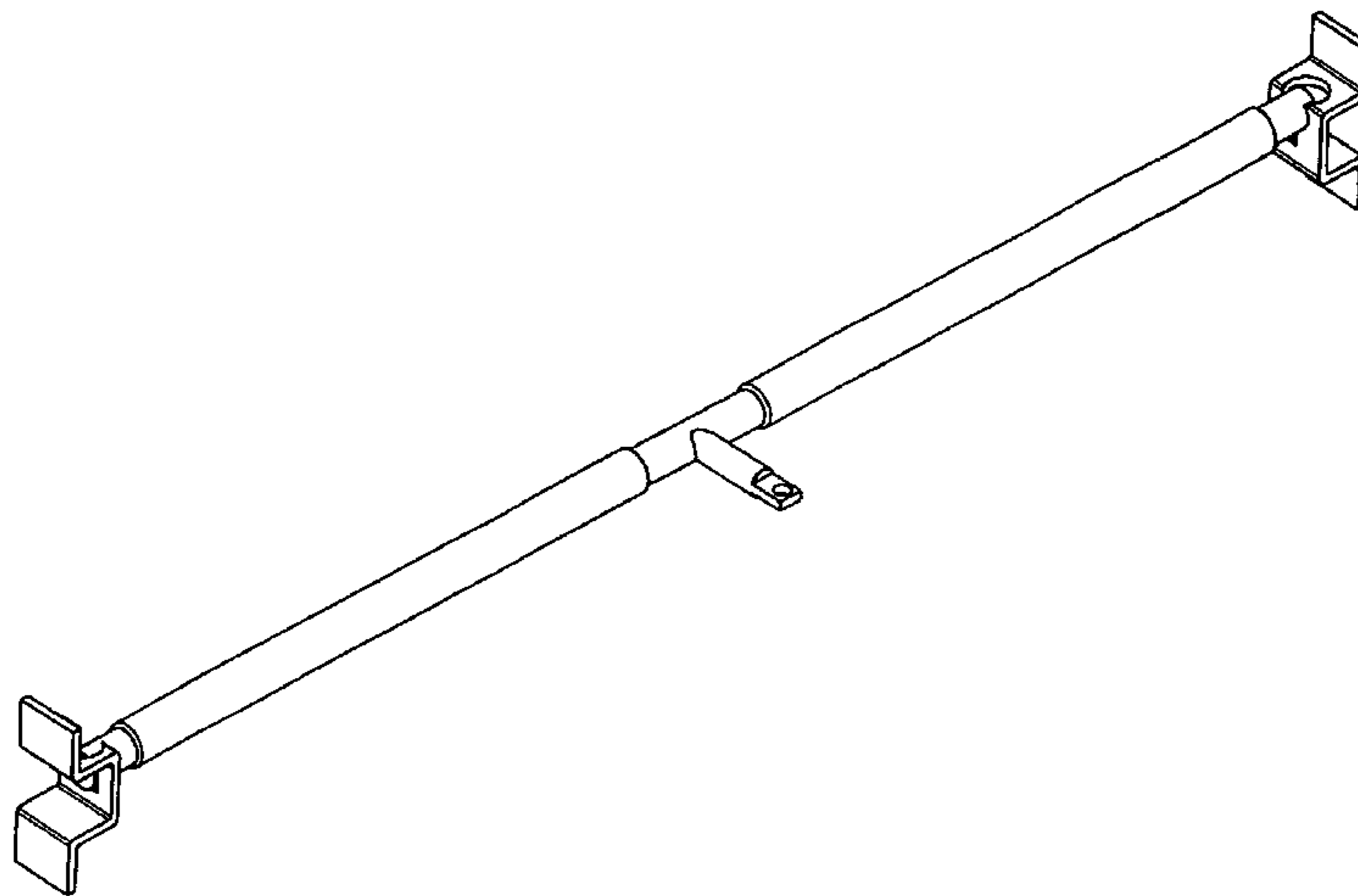
(57) **CLAIM**

The ornamental design for internal lock, as shown and described.

**DESCRIPTION**

FIG. 1 is a perspective view of an internal lock showing our new design;  
FIG. 2 is a front elevational view thereof;  
FIG. 3 is a right elevational view thereof;  
FIG. 4 is a top plan view thereof; and,  
FIG. 5 is a front perspective view thereof, shown in an expanded position.

**1 Claim, 3 Drawing Sheets**



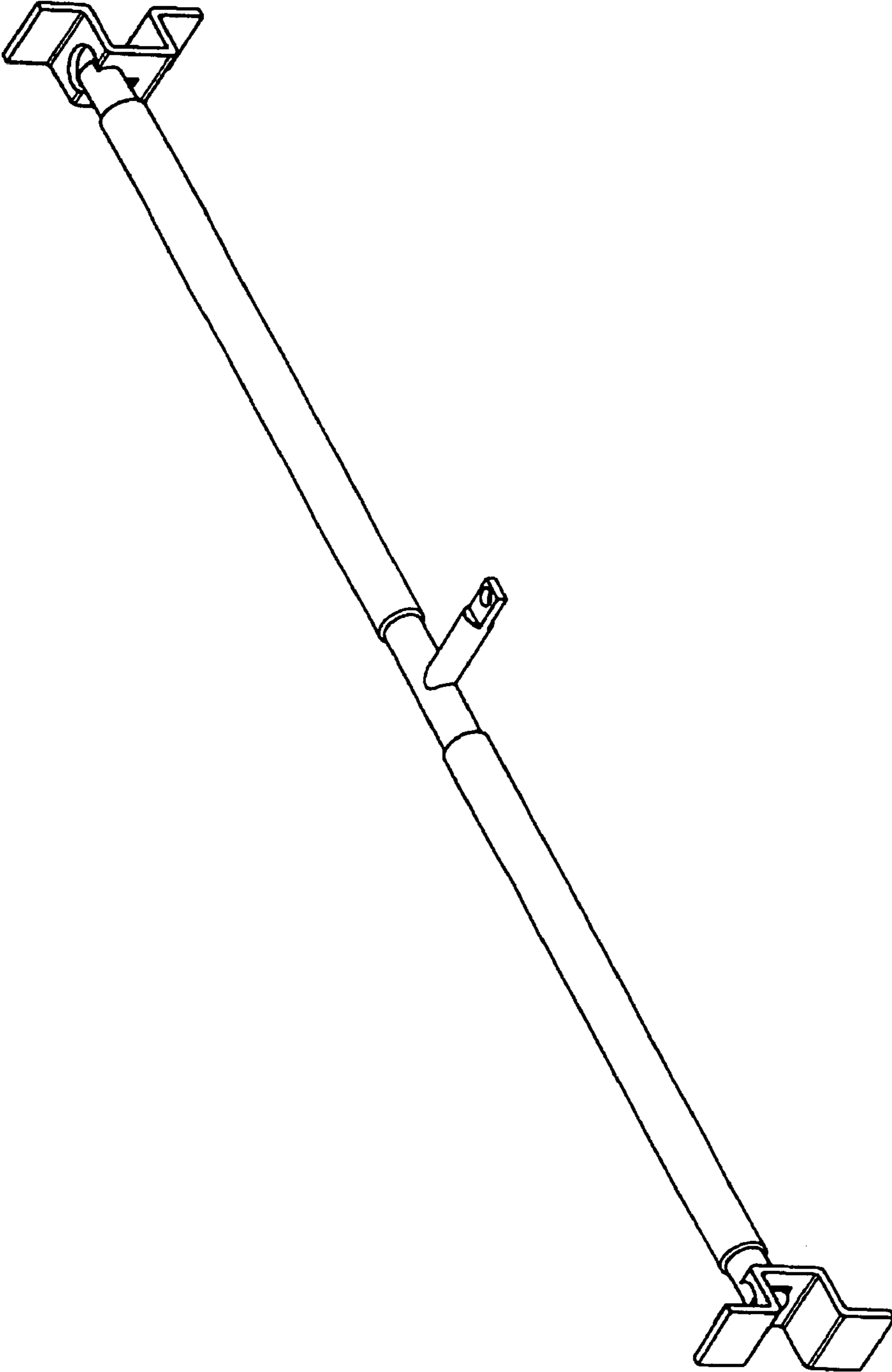


FIG. 1

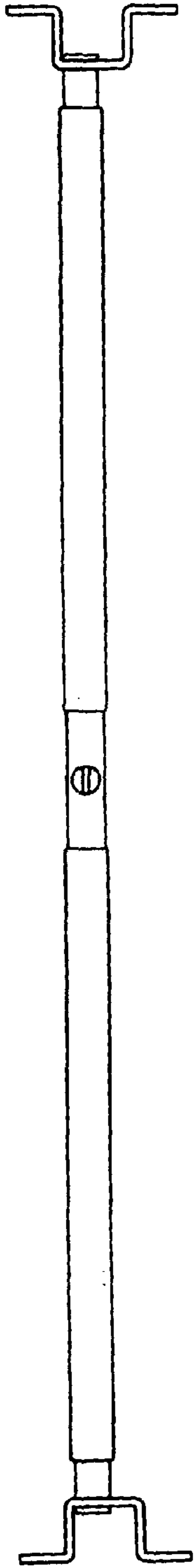


FIG. 2

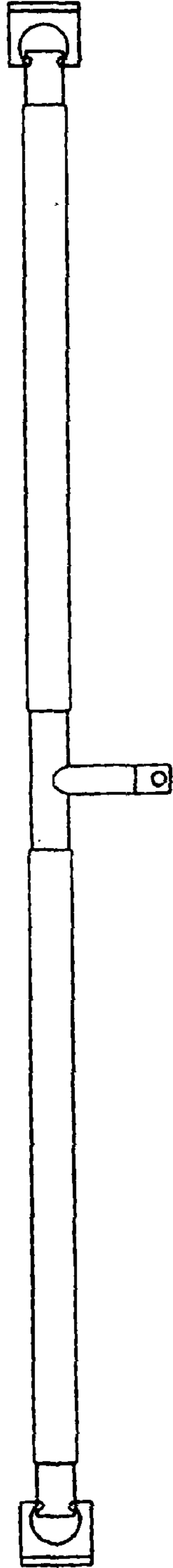


FIG. 3

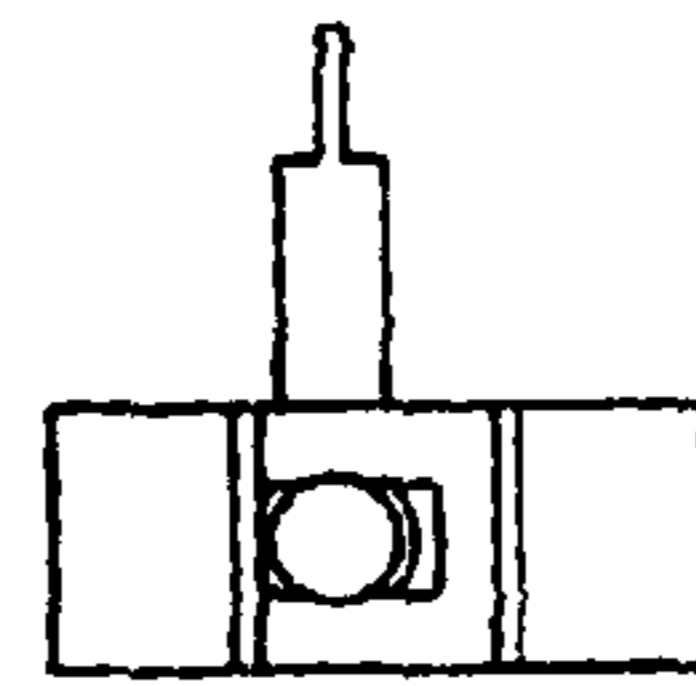


FIG. 4

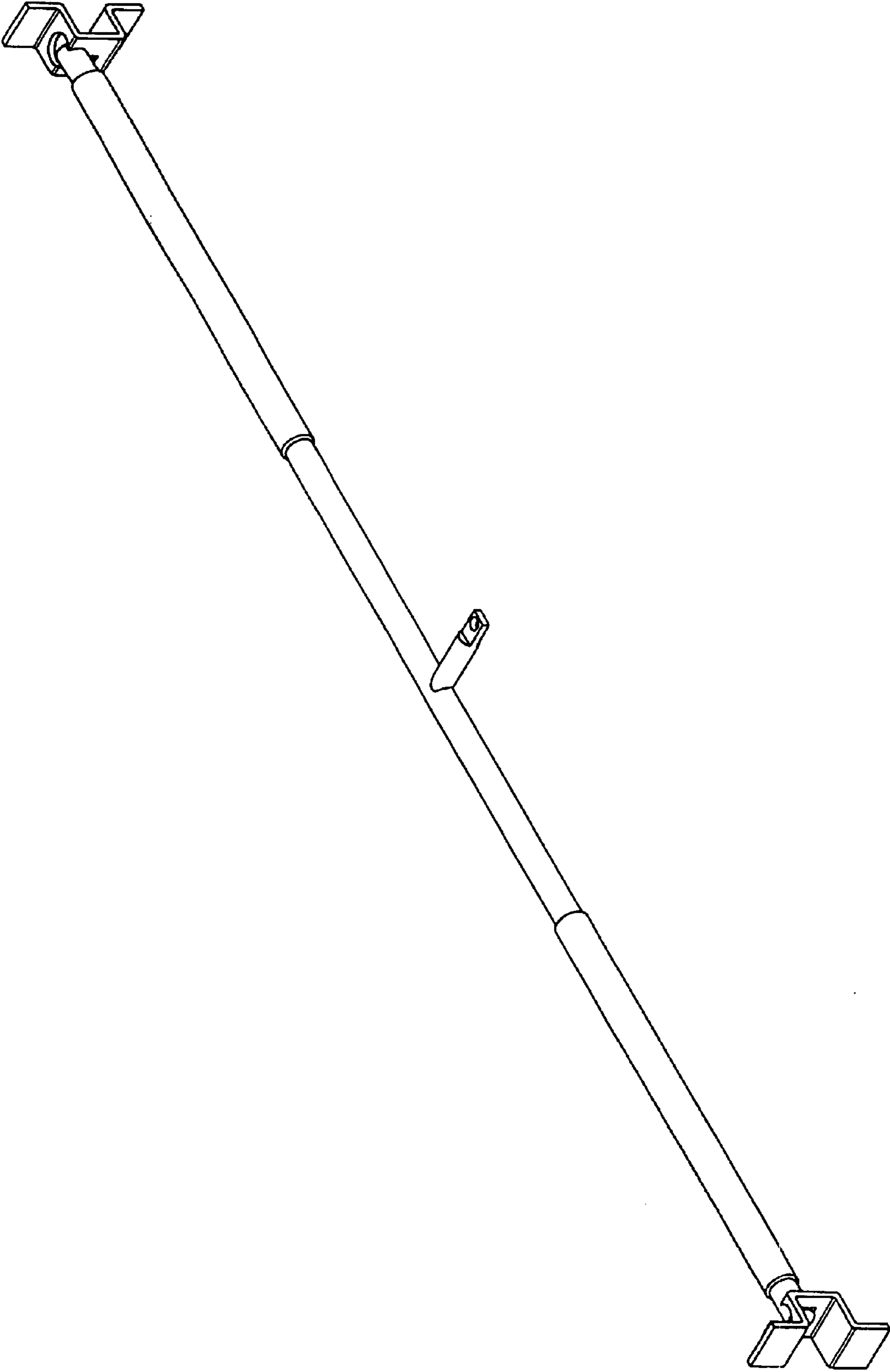


FIG. 5