

US00D540146S

(12) **United States Design Patent**
Berberet

(10) **Patent No.:** **US D540,146 S**

(45) **Date of Patent:** **** Apr. 10, 2007**

(54) **PULL**

D473,742 S 4/2003 Gilbert
D477,732 S 7/2003 Hoernig

(75) Inventor: **Suzanne Berberet**, Sheboygan, WI
(US)

OTHER PUBLICATIONS

(73) Assignee: **Kohler Co.**, Kohler, WI (US)

REJUVENATION Lighting & House Parts, 2006 Resource
Guide. Toilet Paper Holder, catalog p. 127. Copyright 2006
Rejuvenation Inc.

(**) Term: **14 Years**

Kohler Co., "Bancroft Towel Bar". Online catalog.

(21) Appl. No.: **29/256,685**

* cited by examiner

(22) Filed: **Mar. 23, 2006**

Primary Examiner—Paula A. Greene

(51) **LOC (8) Cl.** **08-06**

(74) *Attorney, Agent, or Firm*—Quarles & Brady LLP

(52) **U.S. Cl.** **D8/316**

(57) **CLAIM**

(58) **Field of Classification Search** D8/300,
D8/316, 317, 318, 319, DIG. 1; D23/250–254;
16/110.1, 412, 441, 414–420, 443–446; 4/576.1;
D6/524, 549, 550; 248/223.31; 211/123;
256/65.08

The ornamental design for a pull, as shown and described.

See application file for complete search history.

DESCRIPTION

(56) **References Cited**

U.S. PATENT DOCUMENTS

1,286,376	A	*	12/1918	Madsen	248/223.31
1,769,326	A	*	7/1930	Weis	211/123
3,071,350	A	*	1/1963	Opie	256/65.08
D256,864	S		9/1980	Nippel et al.		
D317,691	S	*	6/1991	Wang	D6/550
D317,692	S	*	6/1991	Wang	D6/550
D334,315	S	*	3/1993	Bengtson	D6/524
5,307,528	A	*	5/1994	Nieuwenhuis et al.	4/576.1
D388,272	S	*	12/1997	Moore	D6/549
D423,321	S		4/2000	Maier		

In a preferred form, the nature of this product is a pull, such
as a drawer pull for grasping when opening a drawer.

FIG. 1 is a left, top, front perspective view of a pull
embodying my new design;

FIG. 2 is a front elevational view thereof;

FIG. 3 is a left side elevational view thereof, the right side
elevational view thereof being a mirror image of the left side
shown;

FIG. 4 is a top plan view thereof;

FIG. 5 is a bottom plan view thereof; and,

FIG. 6 is a rear elevational view thereof.

The broken line representations of bar structure in FIGS. 1–2
and 4–6 and of openings in FIG. 6 are for the purpose of
illustration only, and form no part of the claimed design.

1 Claim, 3 Drawing Sheets

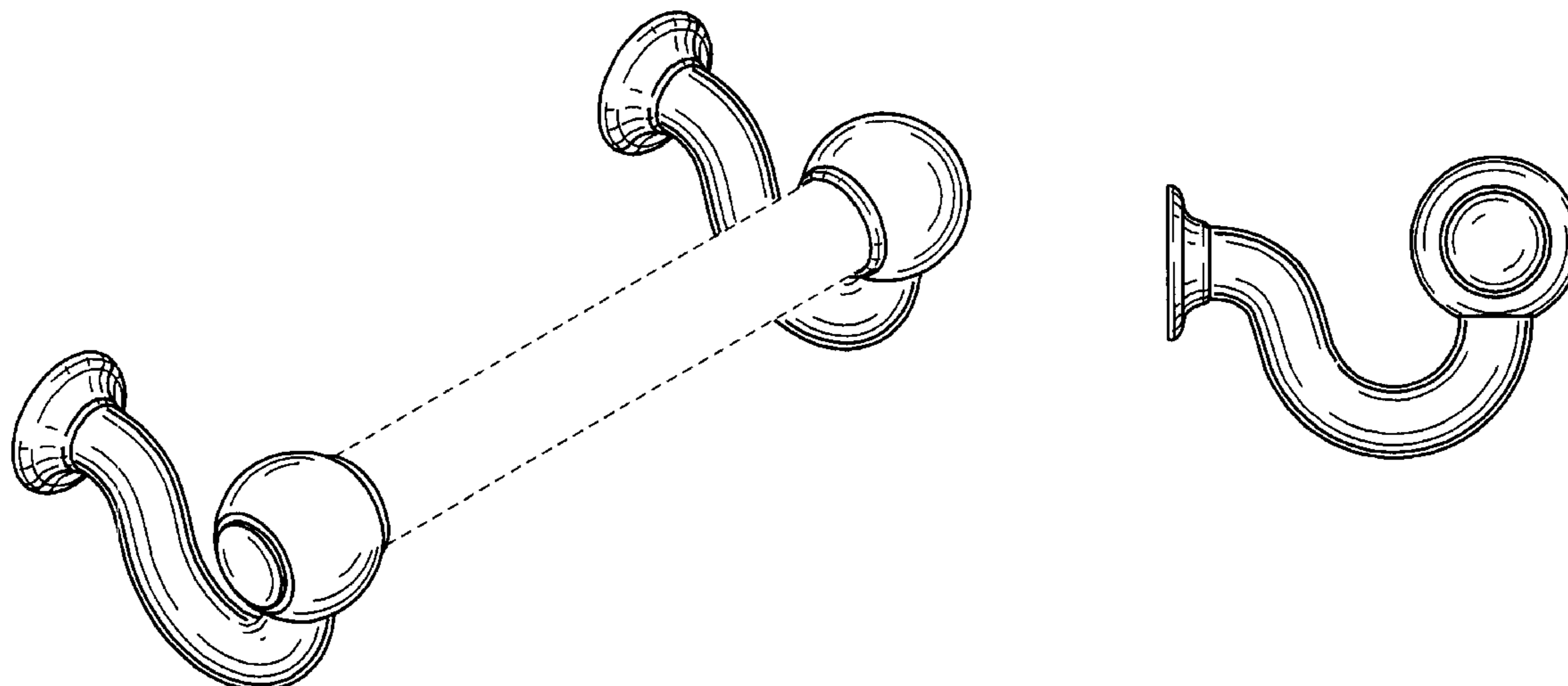


FIG. 1

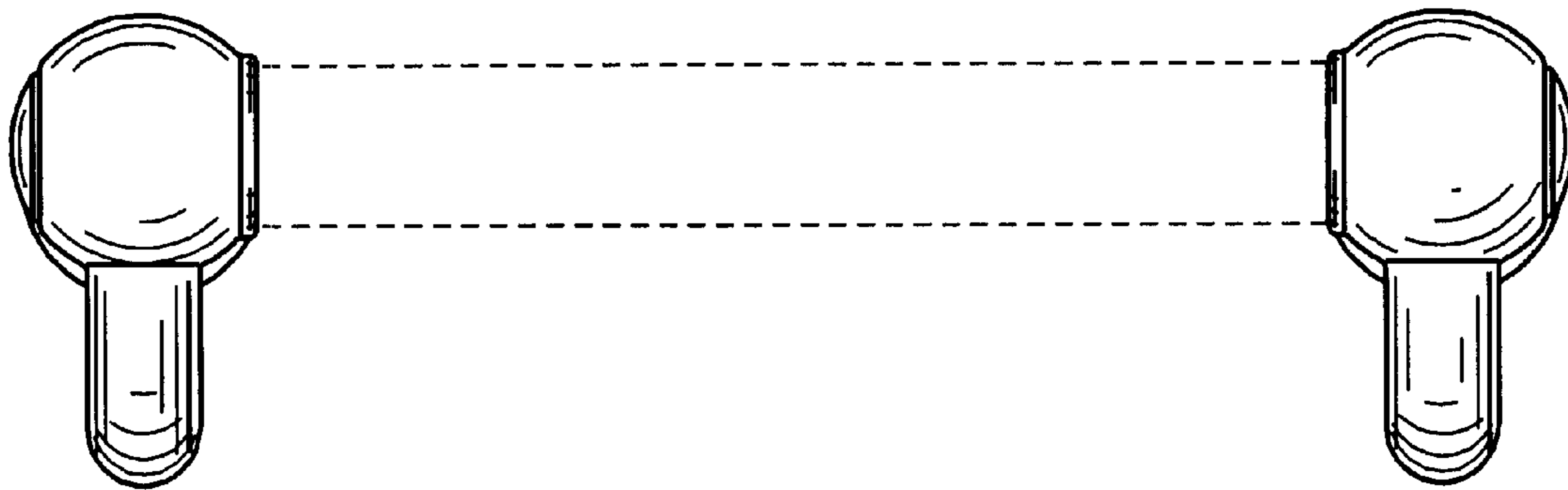
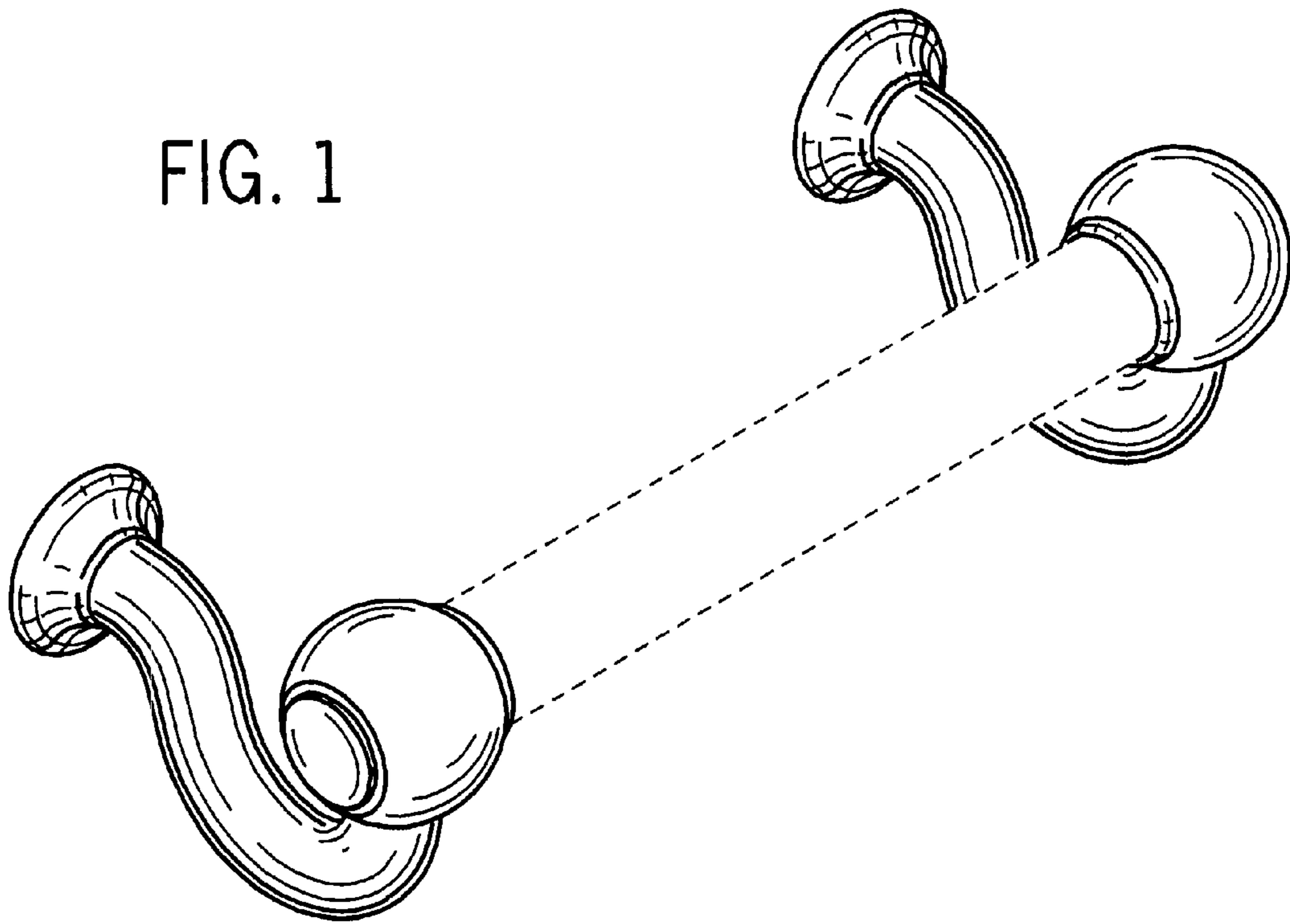


FIG. 2

FIG. 3

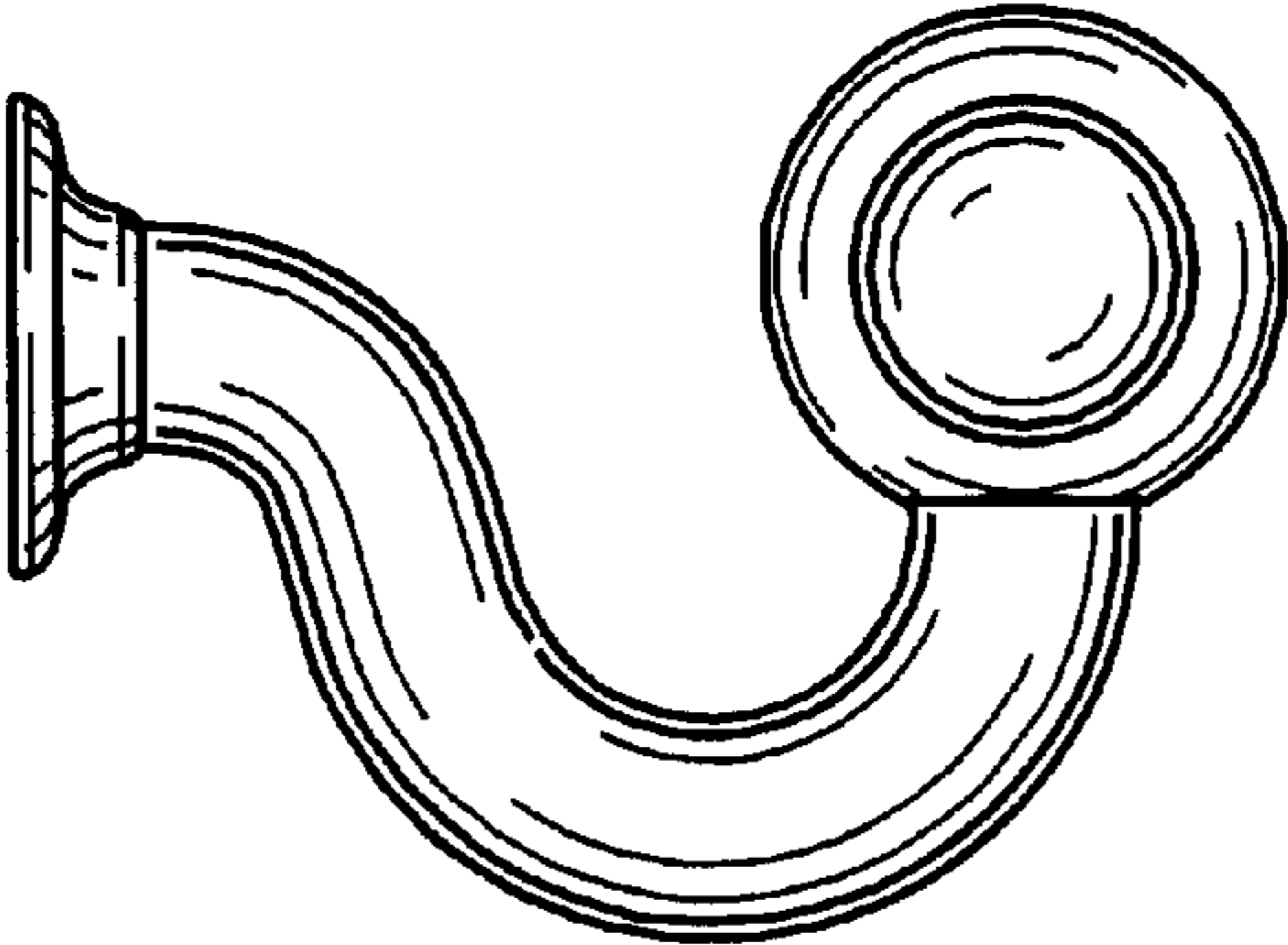


FIG. 4

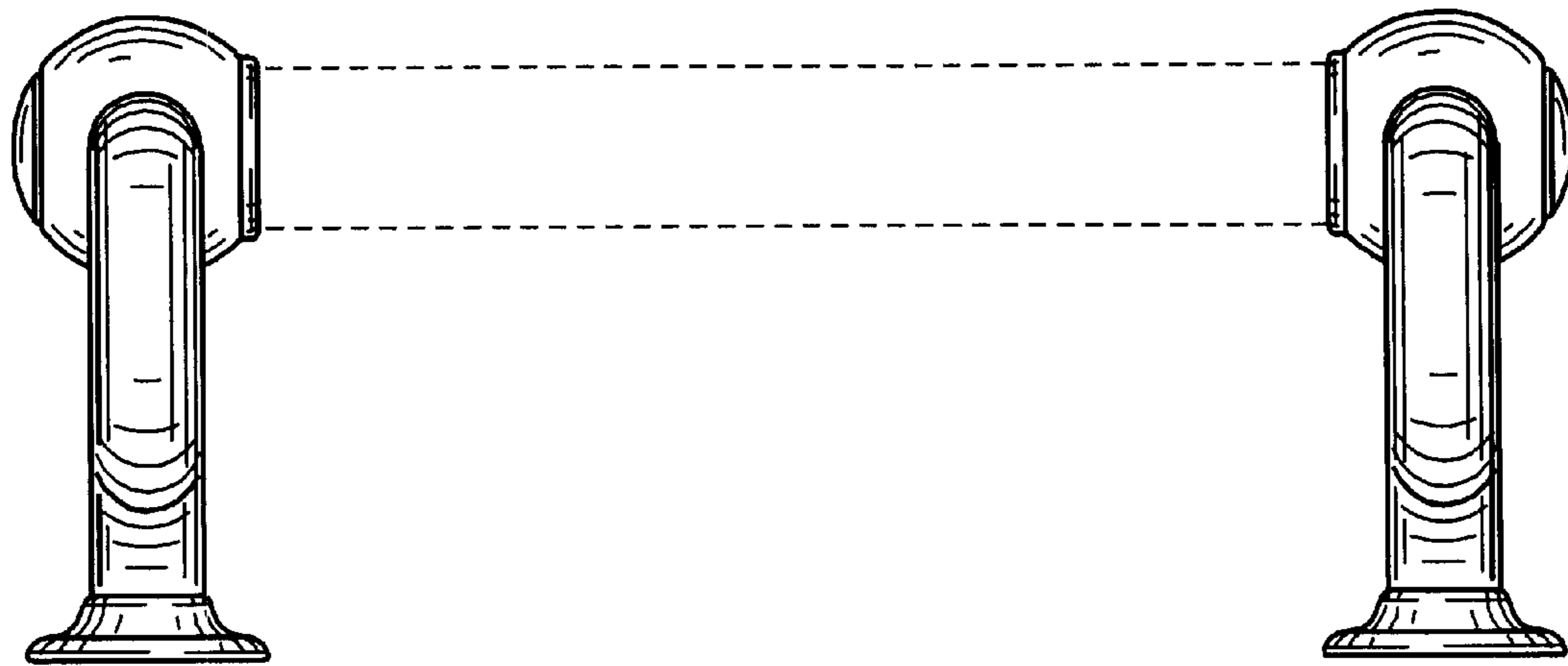


FIG. 5

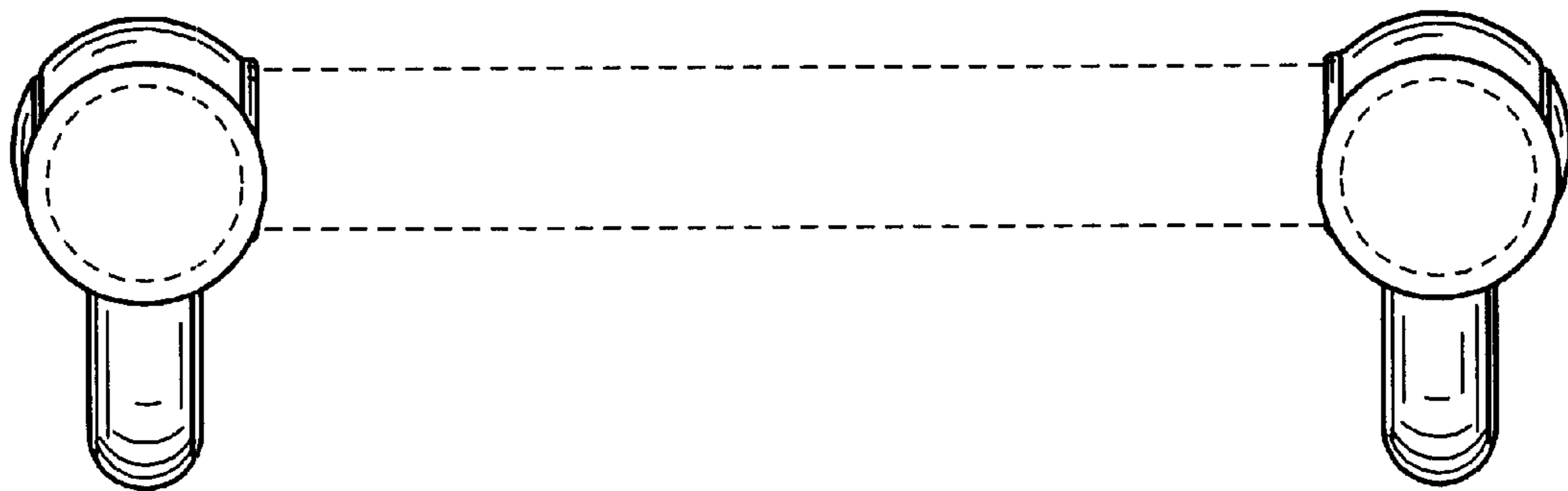


FIG. 6