

US00D540145S

(12) **United States Design Patent**
Berberet

(10) **Patent No.:** **US D540,145 S**

(45) **Date of Patent:** **** Apr. 10, 2007**

(54) **PULL**

D516,350 S * 3/2006 Chen D6/549

(75) Inventor: **Suzanne Berberet**, Sheboygan, WI
(US)

(73) Assignee: **Kohler Co.**, Kohler, WI (US)

(**) Term: **14 Years**

(21) Appl. No.: **29/256,352**

(22) Filed: **Mar. 17, 2006**

(51) **LOC (8) Cl.** **08-06**

(52) **U.S. Cl.** **D8/316**

(58) **Field of Classification Search** D8/300,
D8/316, 317, 318, 319, DIG. 1; D6/546,
D6/524, 549, 550; 16/110.1, 412, 441, 414-420,
16/443-446; D23/250-254; 4/576.1
See application file for complete search history.

(56) **References Cited**

U.S. PATENT DOCUMENTS

D68,530 S	*	10/1925	Gray	D8/316
D97,941 S	*	12/1935	Levett	D6/524
D199,615 S		11/1964	Aleks		
D254,461 S		3/1980	Tegner		
D312,935 S	*	12/1990	Chap et al.	D6/549
D317,691 S	*	6/1991	Wang	D6/550
D317,692 S	*	6/1991	Wang	D6/550
D334,315 S	*	3/1993	Bengtson	D6/524
5,307,528 A	*	5/1994	Nieuwenhuis et al.	4/576.1
D409,032 S	*	5/1999	Kuo	D6/550
D468,145 S	*	1/2003	Ouyoung	D6/549

OTHER PUBLICATIONS

Recency, "Mandarin Line".
Kohler Co., "Pinstripe 18" towel bar, Model No. K-13108.
Kohler Co., "Devonshire" Line. Catalog, "The Bold Look of Kohler", p. 59.

* cited by examiner

Primary Examiner—Paula A. Greene

(74) *Attorney, Agent, or Firm*—Quarles & Brady LLP

(57) **CLAIM**

The ornamental design for a pull, as shown and described.

DESCRIPTION

In a preferred form, the nature of this product is a pull, such as a drawer pull for grasping when opening a drawer.

FIG. 1 is a left, top, front perspective view of a pull embodying my new design;

FIG. 2 is a front elevational view thereof;

FIG. 3 is a top plan view thereof, the bottom plan view thereof being a mirror image of the top view shown;

FIG. 4 is a left side elevational view thereof, the right side elevational view thereof being a mirror image of the left side shown; and,

FIG. 5 is a rear elevational view thereof.

The broken line representations of bar structure in FIGS. 1-3 and 5 and of openings in FIG. 5 are for the purpose of illustration only, and form no part of the claimed design.

1 Claim, 2 Drawing Sheets

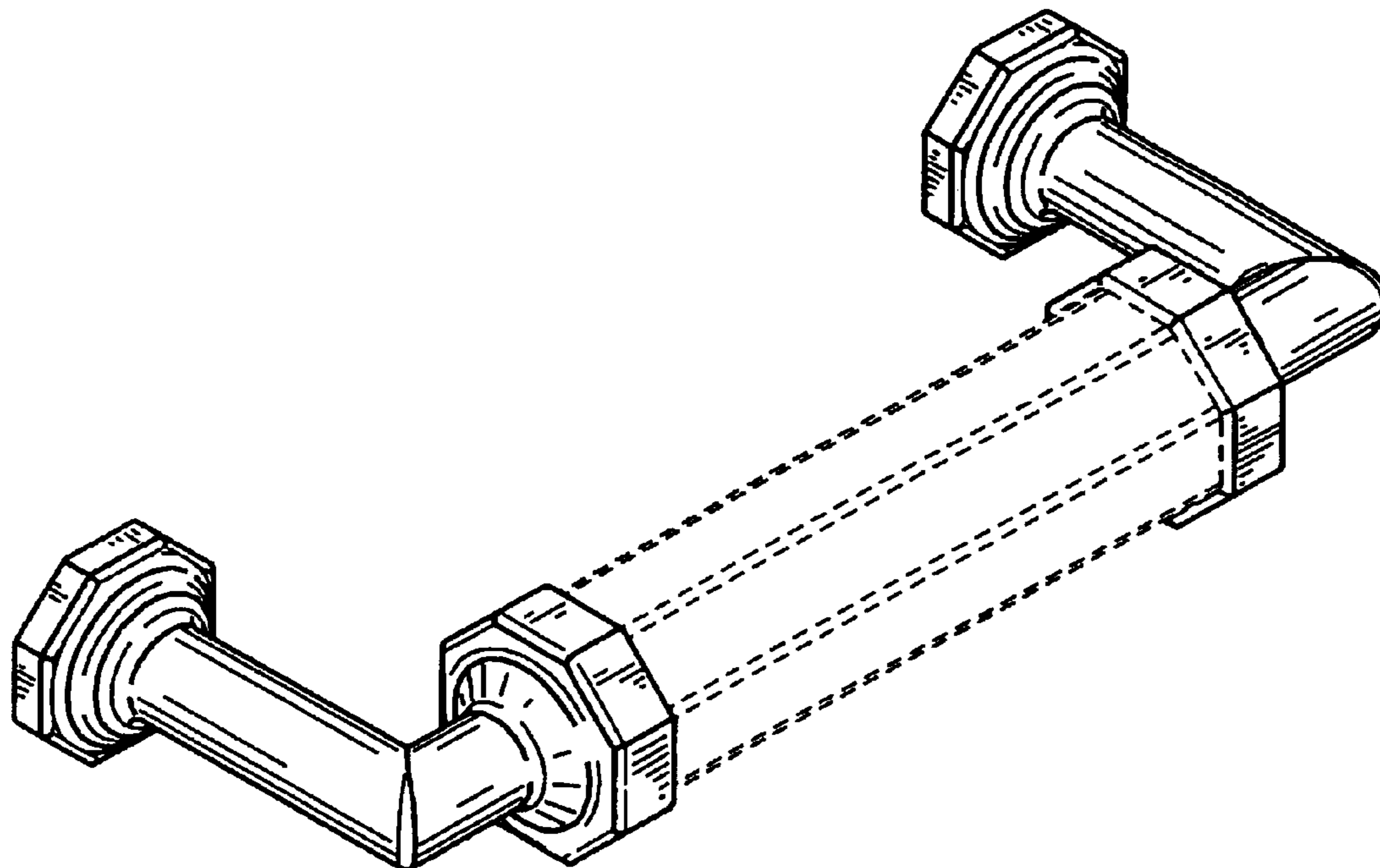


FIG. 1

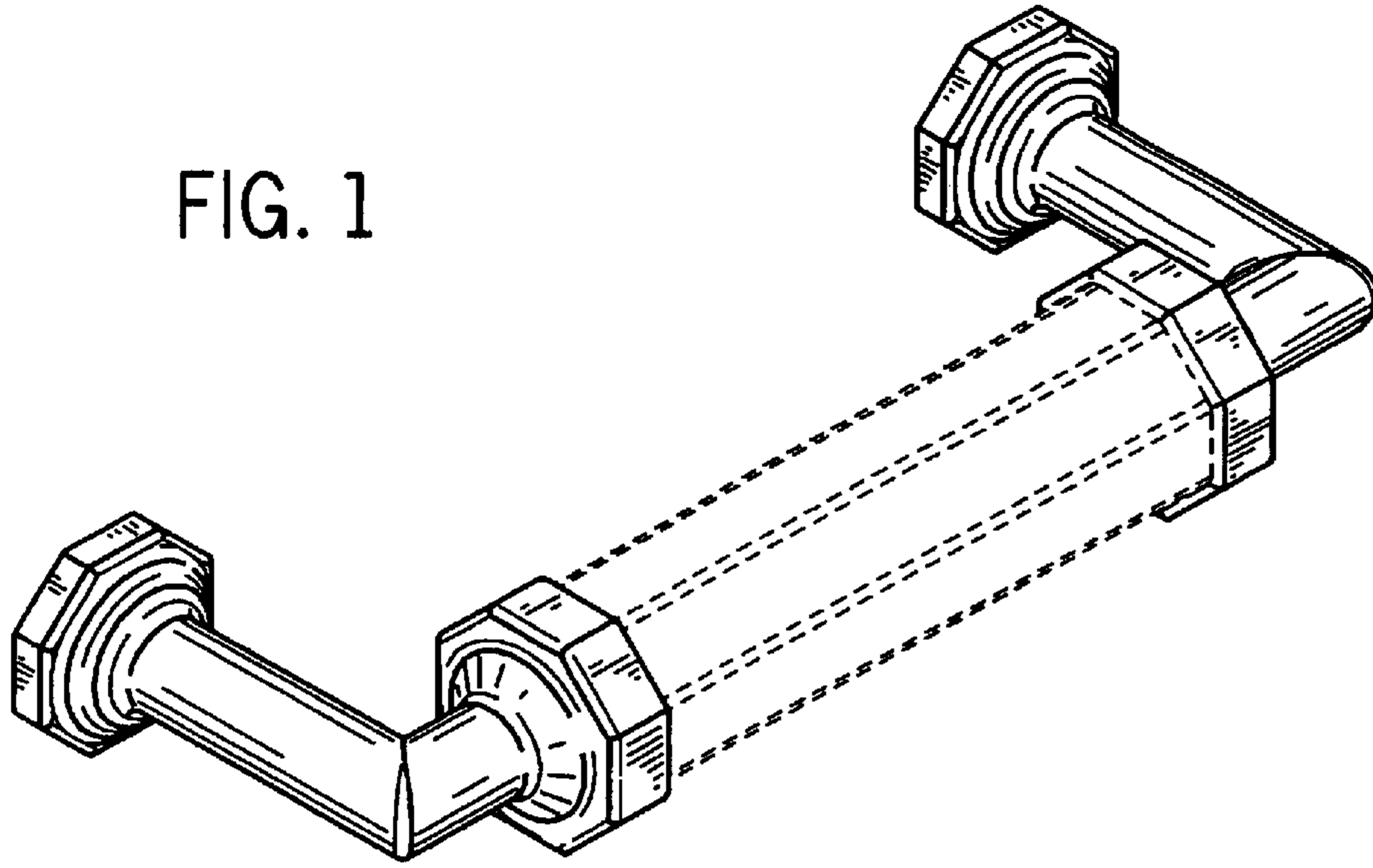


FIG. 2

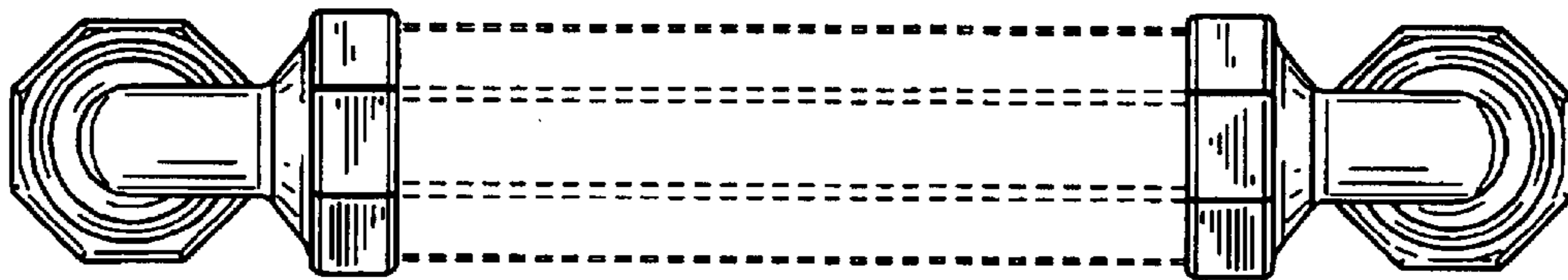


FIG. 3

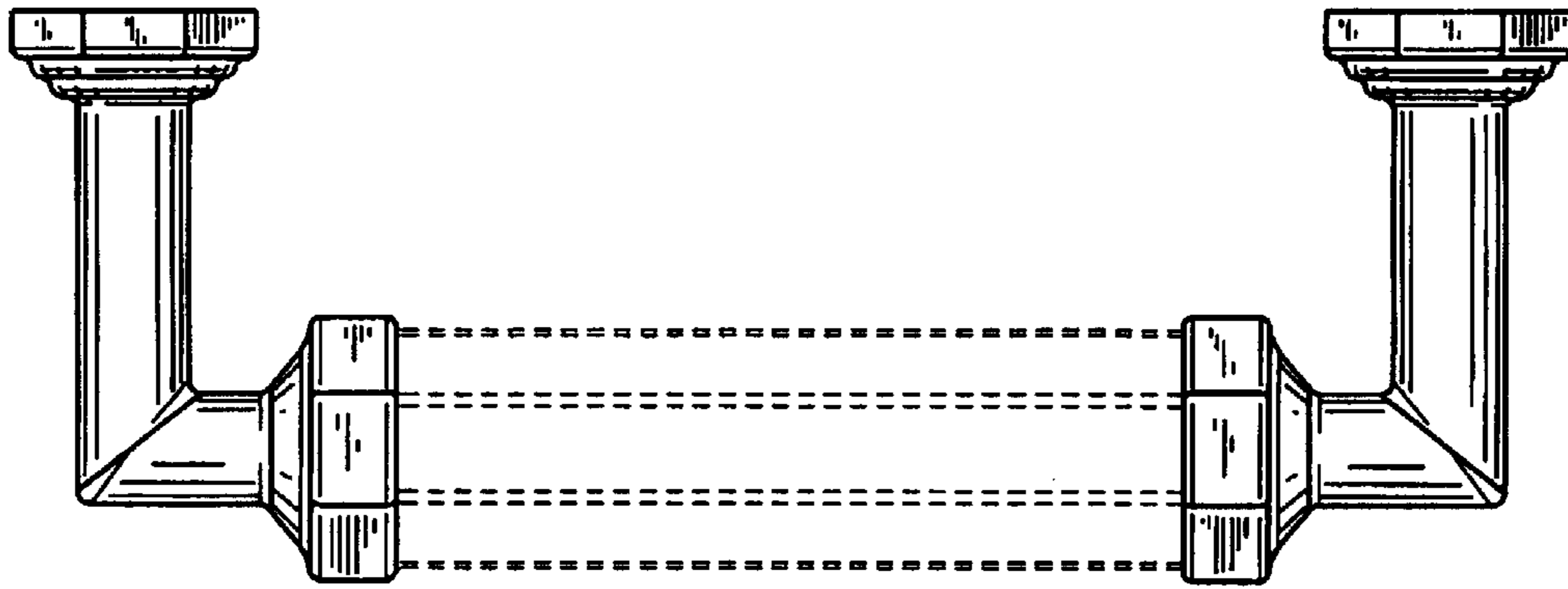


FIG. 4

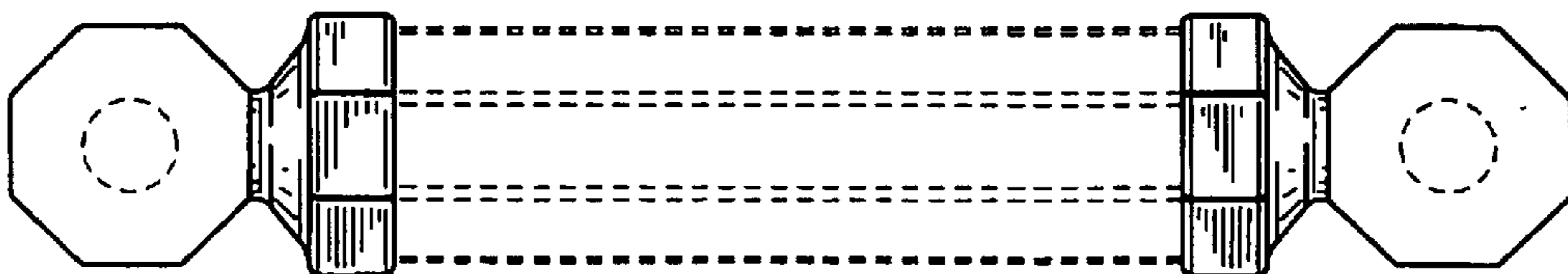
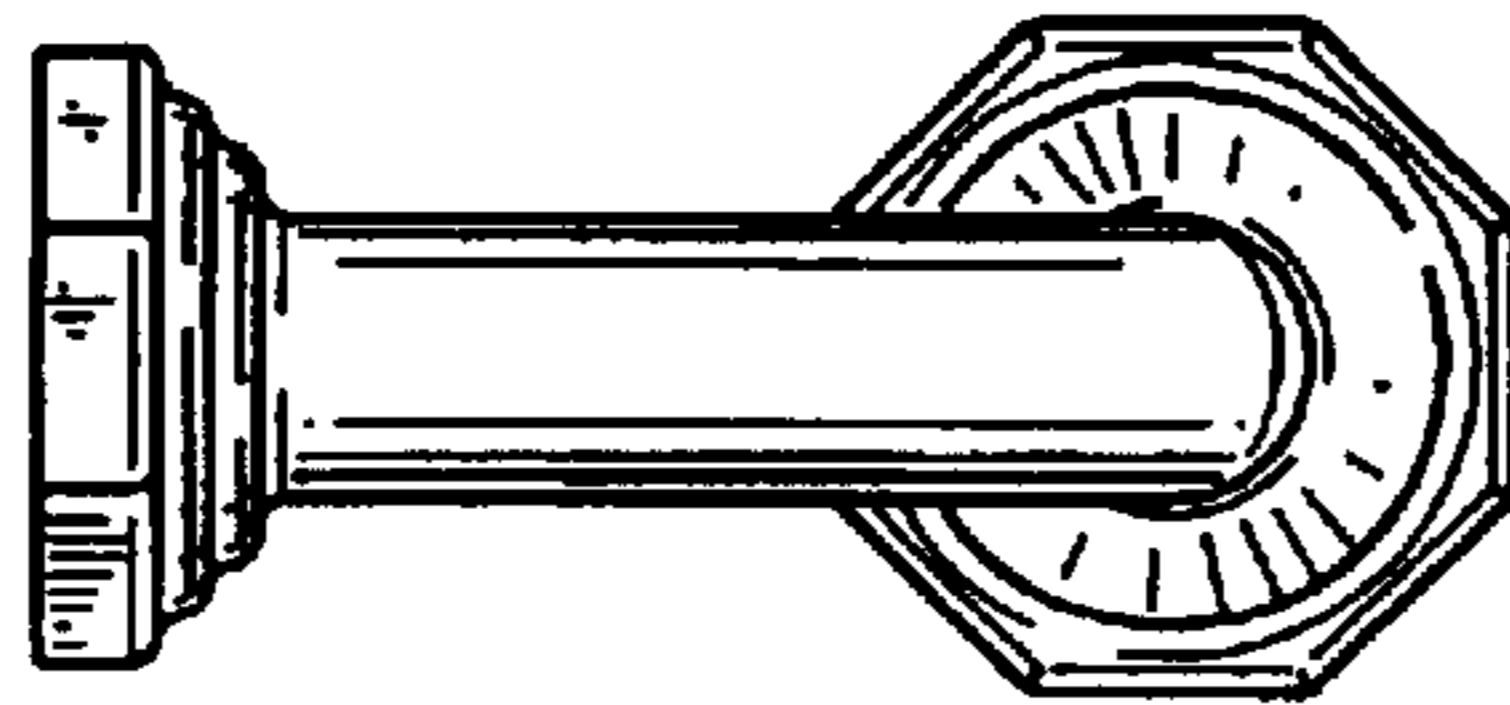


FIG. 5