

US00D540144S

(12) **United States Design Patent**
Berberet

(10) **Patent No.:** **US D540,144 S**

(45) **Date of Patent:** **** Apr. 10, 2007**

(54) **PULL**

(75) Inventor: **Suzanne Berberet**, Sheboygan, WI (US)

(73) Assignee: **Kohler Co.**, Kohler, WI (US)

(**) Term: **14 Years**

(21) Appl. No.: **29/256,349**

(22) Filed: **Mar. 17, 2006**

(51) **LOC (8) Cl.** **08-06**

(52) **U.S. Cl.** **D8/316**

(58) **Field of Classification Search** D8/300,
D8/316-319, DIG. 1; D6/546, 549, 550,
D6/524; D23/250-254; 4/576.1; 16/110.1,
16/412, 414-420, 441, 443, 446; 248/251;
52/27

See application file for complete search history.

(56) **References Cited**

U.S. PATENT DOCUMENTS

1,550,485	A	*	8/1925	Balmer	52/27
D125,452	S	*	2/1941	Marsheck et al.	D8/318
D161,376	S	*	12/1950	Rettich	D8/319
D175,751	S	*	10/1955	Aleka	D8/317
2,956,767	A	*	10/1960	Unetic	248/251
D199,615	S		11/1964	Aleks		
D199,839	S	*	12/1964	Skipson	D8/316
D312,935	S	*	12/1990	Chap et al.	D6/549
D334,315	S	*	3/1993	Bengtson	D6/524
5,307,528	A	*	5/1994	Nieuwenhuis et al.	4/576.1

D370,617	S	*	6/1996	Decursu et al.	D8/316
D449,215	S	*	10/2001	Bertani	D8/316

OTHER PUBLICATIONS

Marina Surface Paper Holder, "Marina Line". (http://www-wholesalebath.com/Merchant2/merchant.mvc?Screen=PROD&Store_code=A1&Product_Code=4308&Category_Code=M3).

* cited by examiner

Primary Examiner—Paula A. Greene

(74) *Attorney, Agent, or Firm*—Quarles & Brady LLP

(57) **CLAIM**

The ornamental design for a pull, as shown and described.

DESCRIPTION

In a preferred form, the nature of this product is a pull, such as a drawer pull for grasping when opening a drawer.

FIG. 1 is a left, top, front perspective view of a pull embodying my new design;

FIG. 2 is a front elevational view thereof;

FIG. 3 is a left side elevational view thereof, the right side elevational view thereof being a mirror image of the left side shown;

FIG. 4 is a top plan view thereof, the bottom plan view thereof being a mirror image of the top view shown; and, FIG. 5 is a rear elevational view thereof.

The broken line representations of bar structure in FIG. 1-2 and 4-5 and of openings in FIGS. 5 are for the purpose of illustration only, and form no part of the claimed design.

1 Claim, 2 Drawing Sheets

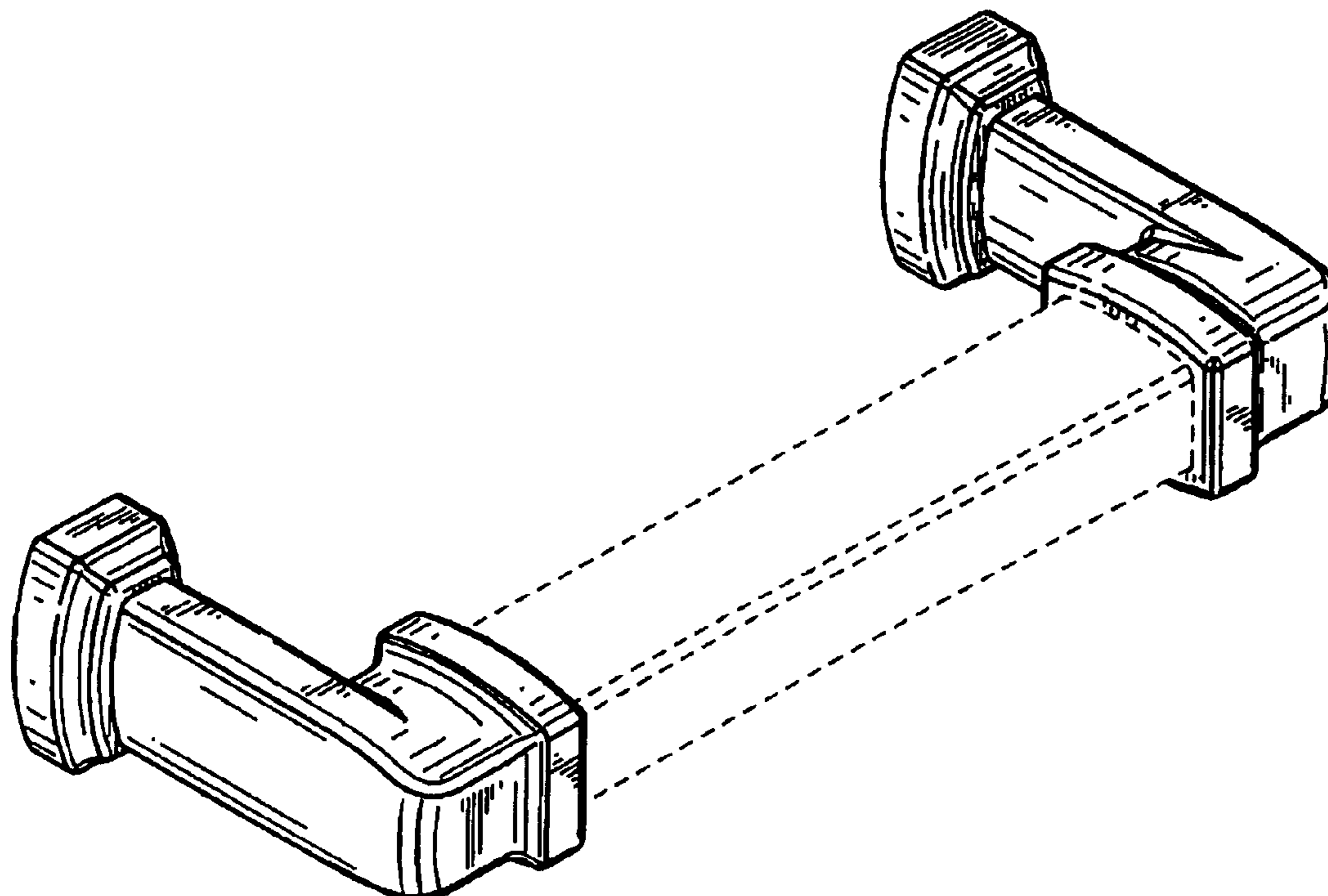


FIG. 1

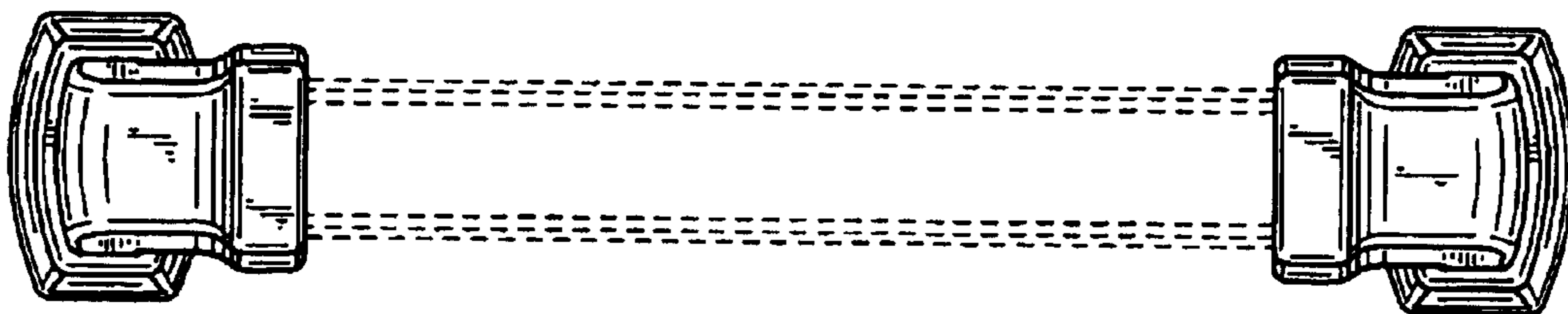
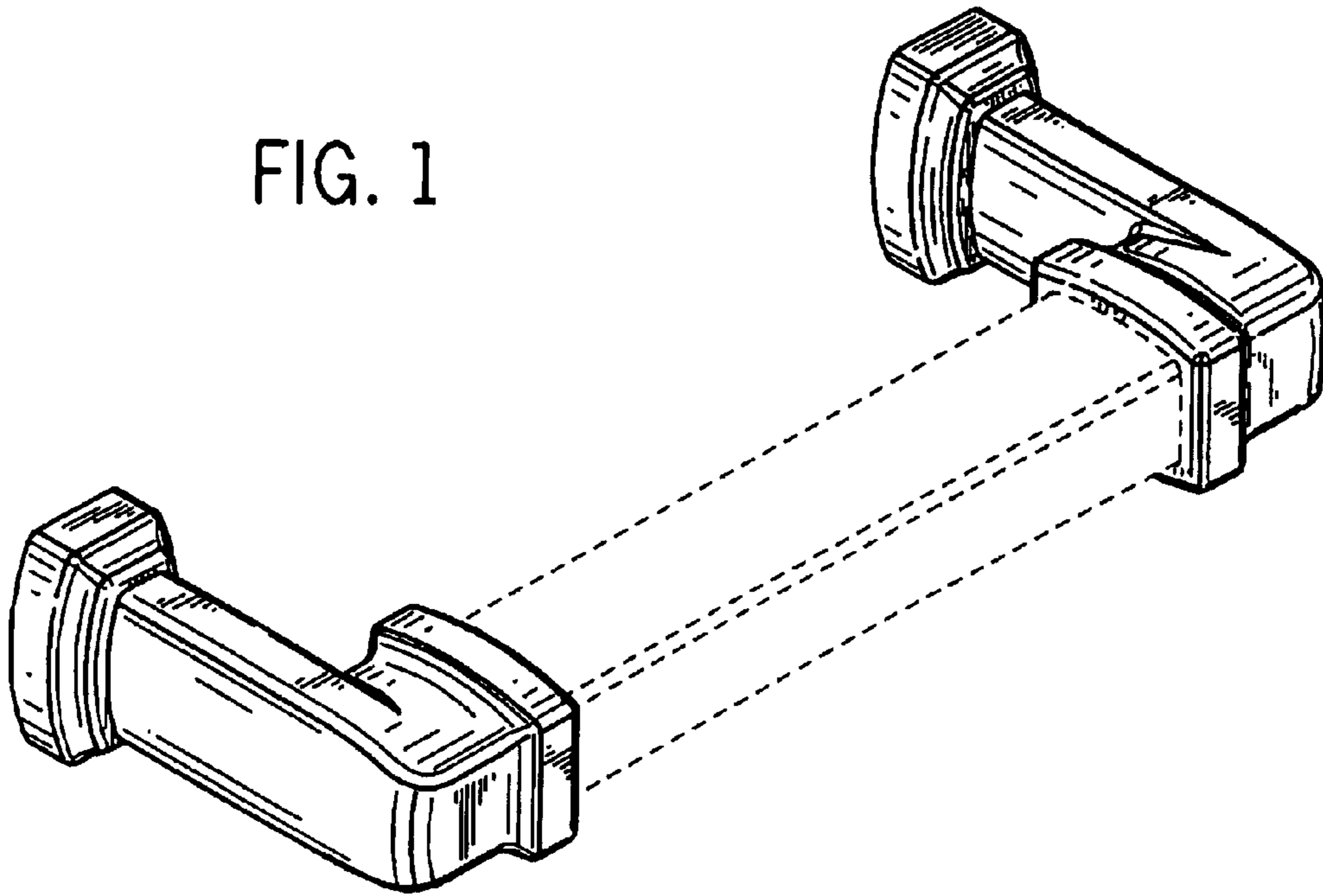


FIG. 2

FIG. 3

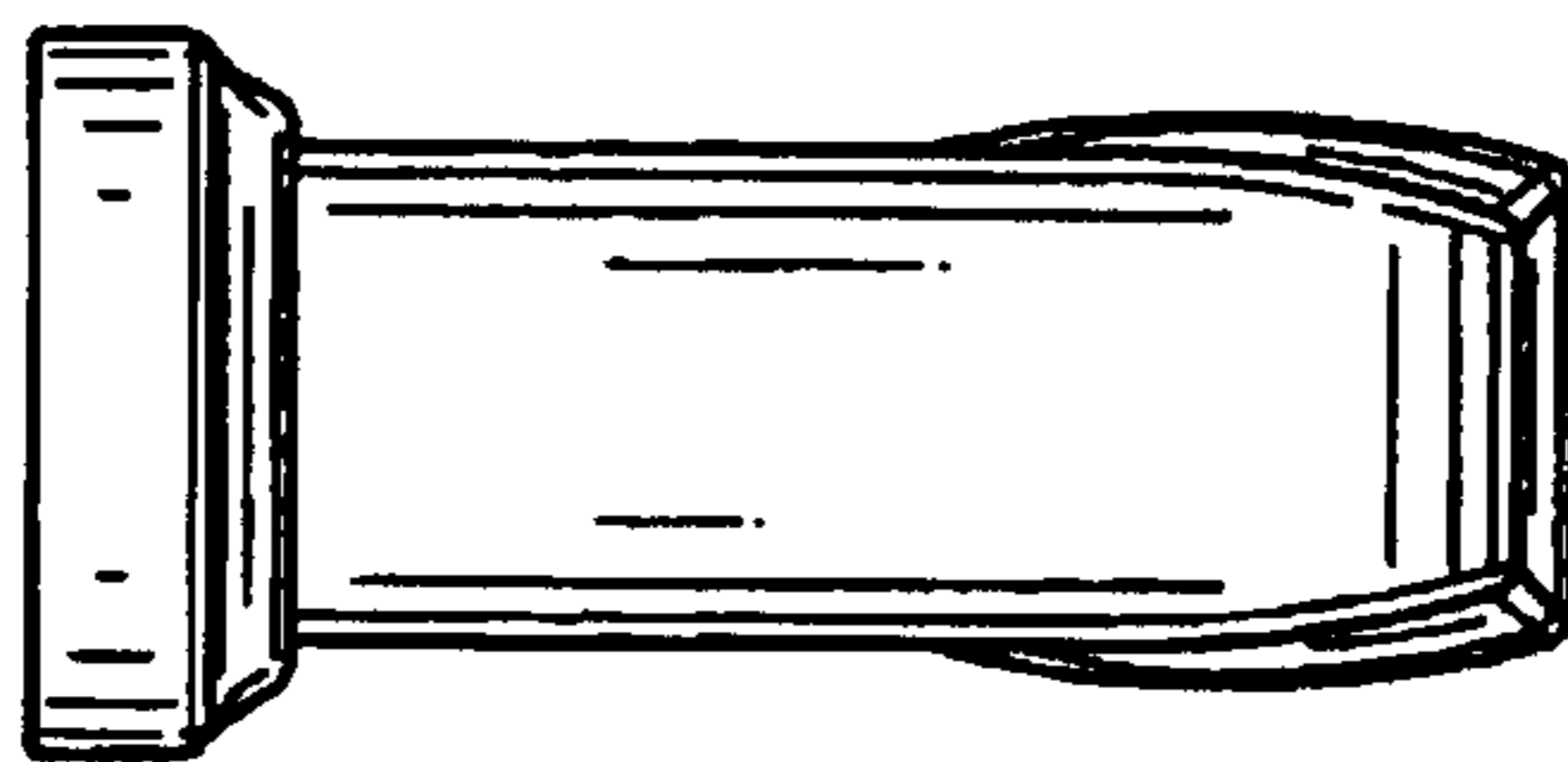


FIG. 4

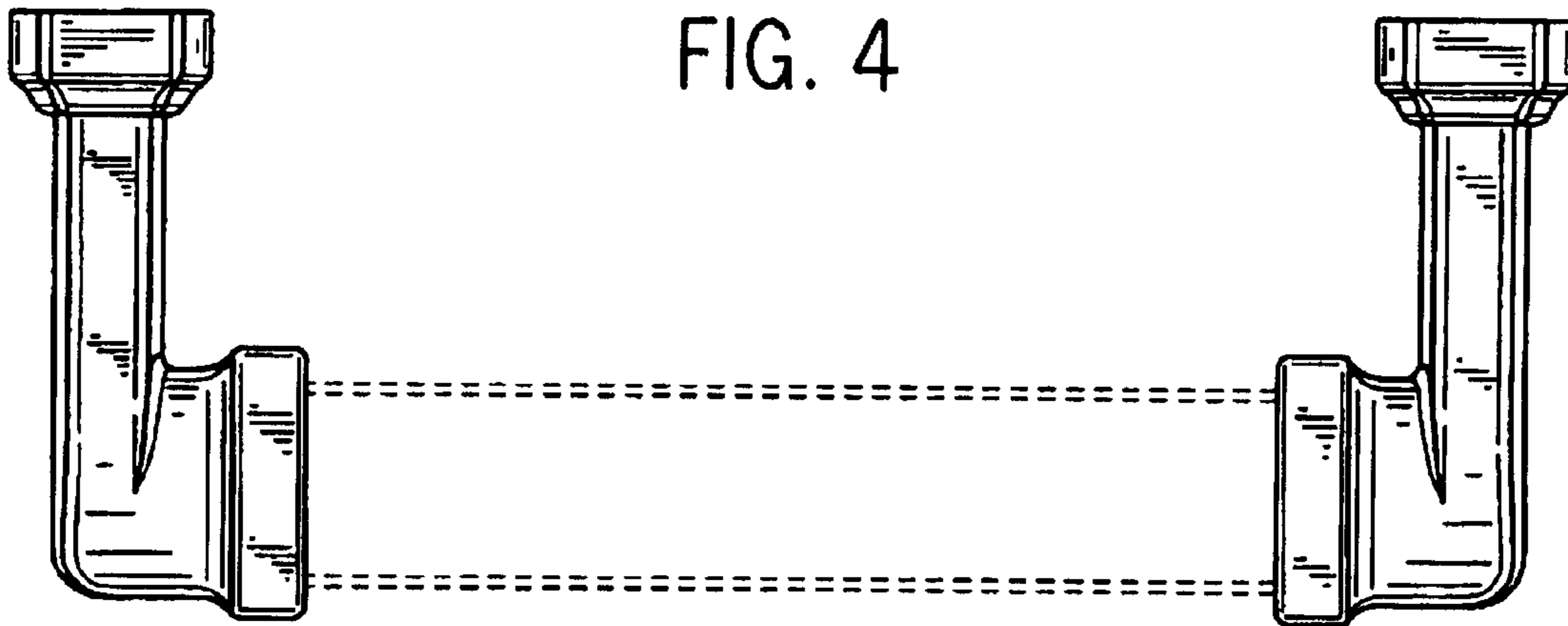


FIG. 5

