



US00D540137S

(12) **United States Design Patent**
Yaksich

(10) **Patent No.:** **US D540,137 S**

(45) **Date of Patent:** **** Apr. 10, 2007**

(54) **DRILL CHUCK**

(75) Inventor: **Theodore G. Yaksich**, Seneca, SC (US)

(73) Assignee: **Jacobs Chuck Manufacturing Company**, Clemson, SC (US)

(**) Term: **14 Years**

(21) Appl. No.: **29/262,776**

(22) Filed: **Jul. 11, 2006**

Related U.S. Application Data

(62) Division of application No. 29/240,936, filed on Oct. 20, 2005.

(51) **LOC (8) Cl.** **08-01**

(52) **U.S. Cl.** **D8/70; D15/138**

(58) **Field of Classification Search** D8/61,
D8/62, 63, 64, 65, 66, 67, 68, 69, 70, 71;
279/60, 61, 62, 63, 64, 65, 66, 157, 901,
279/902; 408/56, 240; D15/132, 133, 138,
D15/139, 140

See application file for complete search history.

(56) **References Cited**

U.S. PATENT DOCUMENTS

5,465,983	A	*	11/1995	Owens et al.	279/157
5,476,273	A		12/1995	Shadeck et al.	279/60
D392,654	S	*	3/1998	Stratford et al.	D8/70
5,765,839	A	*	6/1998	Rohm	279/62
D402,675	S	*	12/1998	Long	D8/70
D403,222	S	*	12/1998	Lui	D8/70
D404,629	S	*	1/1999	Cooper	D8/70
D404,988	S	*	2/1999	Long	D15/140
D409,067	S	*	5/1999	Sakamaki	D8/70
D409,210	S	*	5/1999	Cooper	D8/70
5,913,524	A	*	6/1999	Barton	279/62
5,927,914	A	*	7/1999	Mack et al.	279/62
D416,461	S	*	11/1999	Long	D8/70
6,017,039	A	*	1/2000	Gaddis et al.	279/62
D423,527	S	*	4/2000	Sakamaki	D8/70
D426,442	S	*	6/2000	Long	D8/70

D433,909	S	*	11/2000	Long	D8/70
D434,629	S	*	12/2000	Long	D8/70
D447,399	S	*	9/2001	Netzler	D8/70
D461,696	S	*	8/2002	Chunn et al.	D8/70
D461,697	S	*	8/2002	Chunn et al.	D8/70
D462,248	S	*	9/2002	Cooper	D8/68
D462,249	S	*	9/2002	Chunn et al.	D8/70
D464,858	S	*	10/2002	Netzler	D8/68

(Continued)

FOREIGN PATENT DOCUMENTS

GB 2091262 S * 3/2000

OTHER PUBLICATIONS

Photos of co-molded chuck believed to be sold more than 1 year prior to the filing date of the present application, prior to Jul. 11, 2005.

Primary Examiner—T. Chase Nelson

(74) *Attorney, Agent, or Firm*—Nelson Mullins Riley & Scarborough, LLP

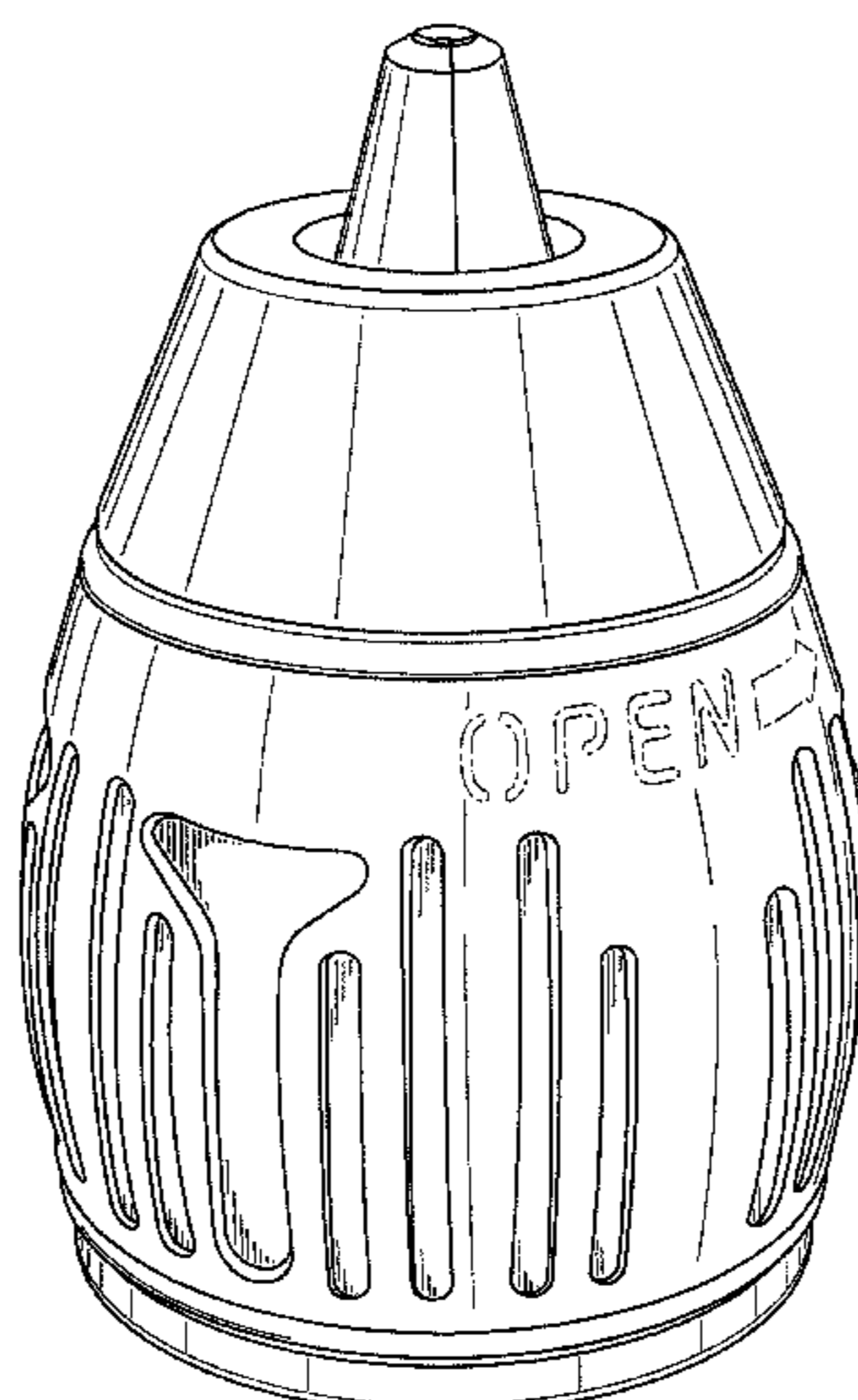
(57) **CLAIM**

The ornamental design for a drill chuck, substantially as shown and described.

DESCRIPTION

FIG. 1 is a perspective view of a drill chuck embodying my new design of the present invention; FIG. 2 is a front elevation view of the drill chuck illustrated in FIG. 1; FIG. 3 is a back elevation view of the drill chuck shown in FIG. 1; FIG. 4 is a left side view of the drill chuck shown in FIG. 1; FIG. 5 is a right side view of the drill chuck shown in FIG. 1; FIG. 6 is a top view of the drill chuck shown in FIG. 1; and, FIG. 7 is a bottom view of the drill chuck shown in FIG. 1. Broken lines are for illustrative purposes only and form no part of the claim.

1 Claim, 6 Drawing Sheets



US D540,137 S

Page 2

U.S. PATENT DOCUMENTS

D469,325 S *	1/2003	Carroll	D8/70	D520,324 S *	5/2006	Yaksich et al.	D8/70
D472,443 S *	4/2003	Chunn et al.	D8/70	2002/0140185 A1 *	10/2002	Rohm	279/60
D474,387 S *	5/2003	Chunn et al.	D8/70	2003/0067123 A1 *	4/2003	Mack	279/62
6,595,527 B2 *	7/2003	Mack	279/157	2003/0080521 A1 *	5/2003	Mack	279/62
6,860,488 B2 *	3/2005	Mack	279/62	2004/0041357 A1 *	3/2004	Zhou	279/62
D513,691 S *	1/2006	Watson et al.	D8/70	2006/0192351 A1 *	8/2006	Mack	279/62
D514,417 S *	2/2006	Watson et al.	D8/70	2006/0202435 A1 *	9/2006	Rohm et al.	279/62

* cited by examiner

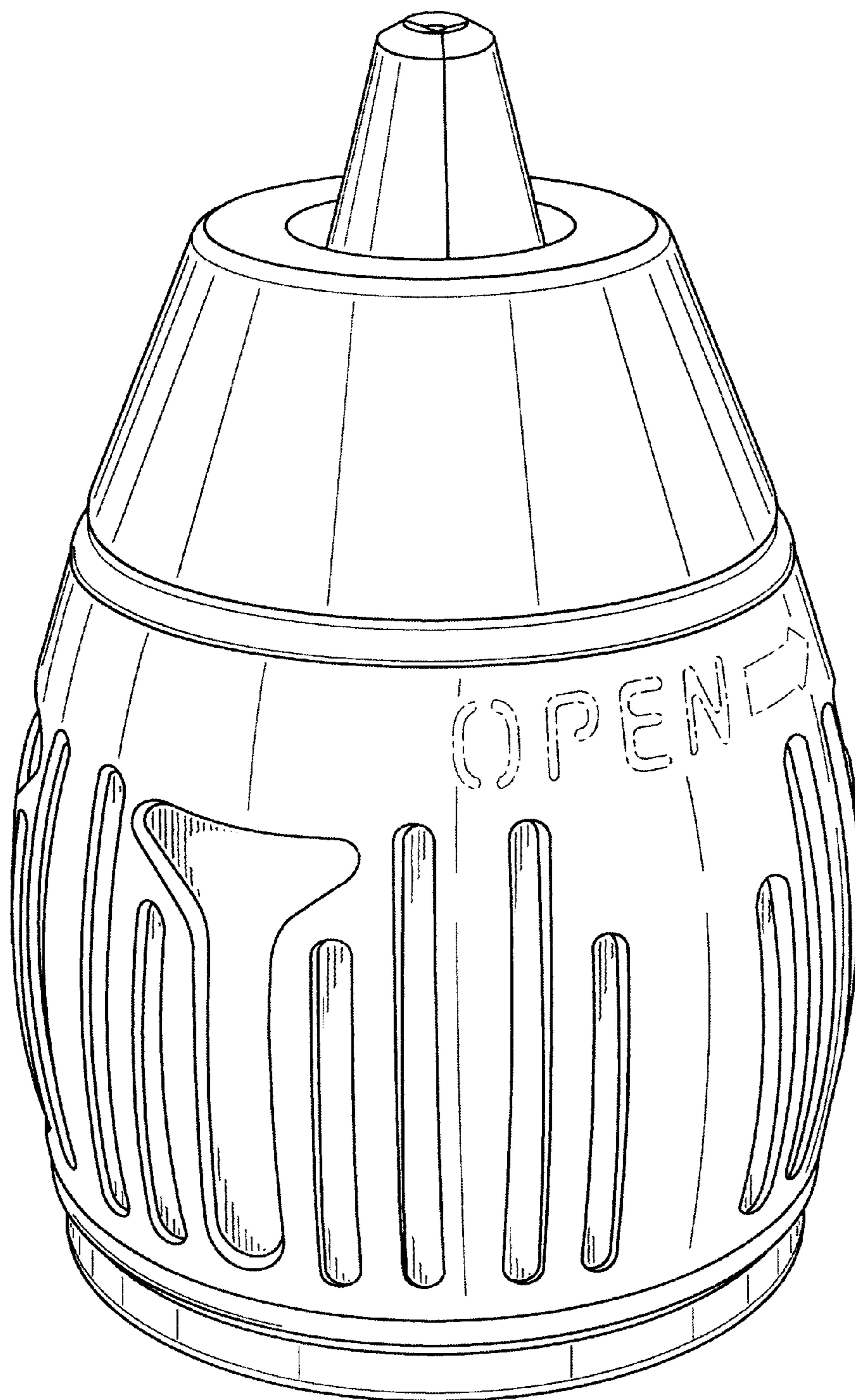


Fig. 1

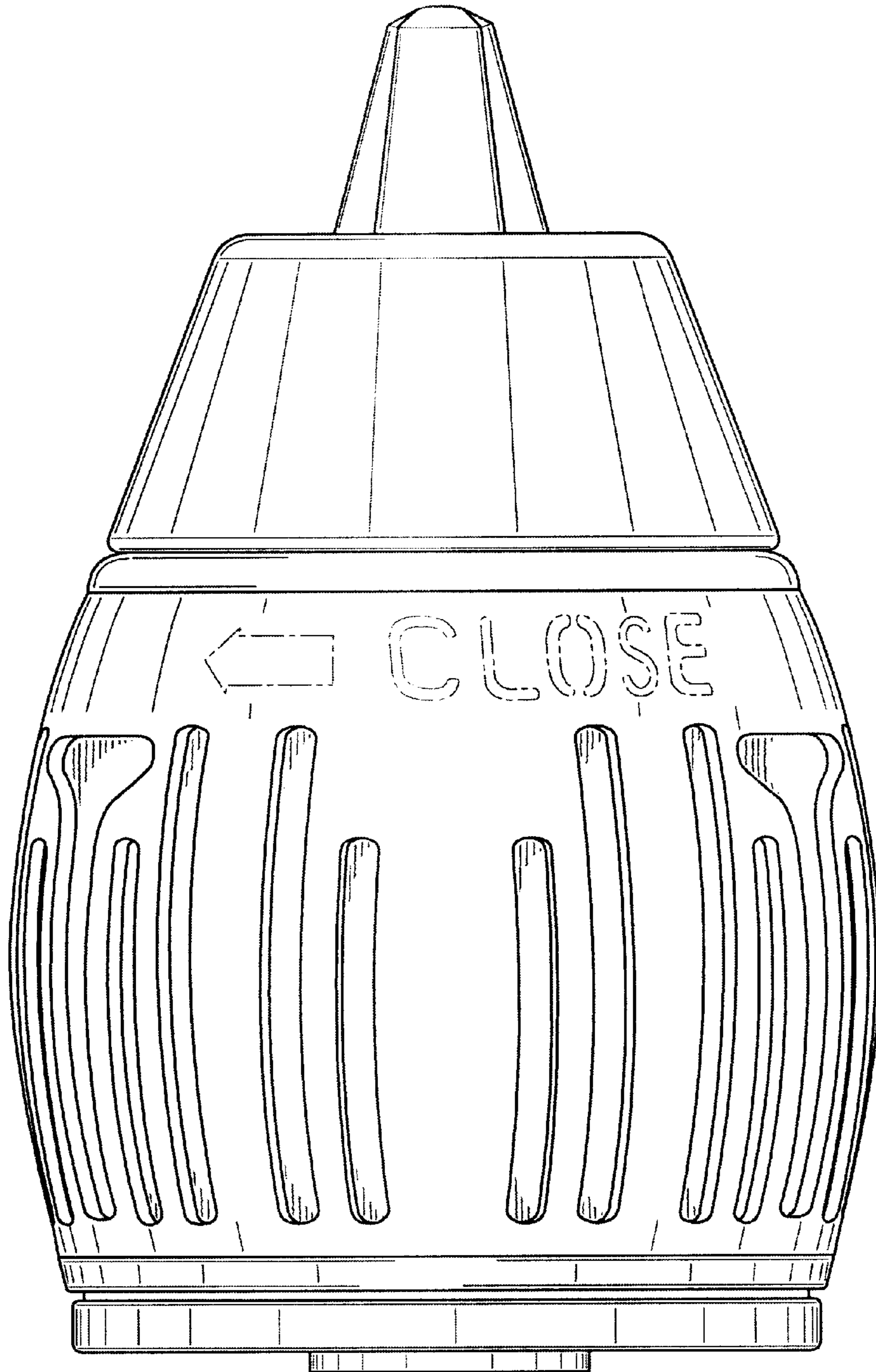


Fig. 2

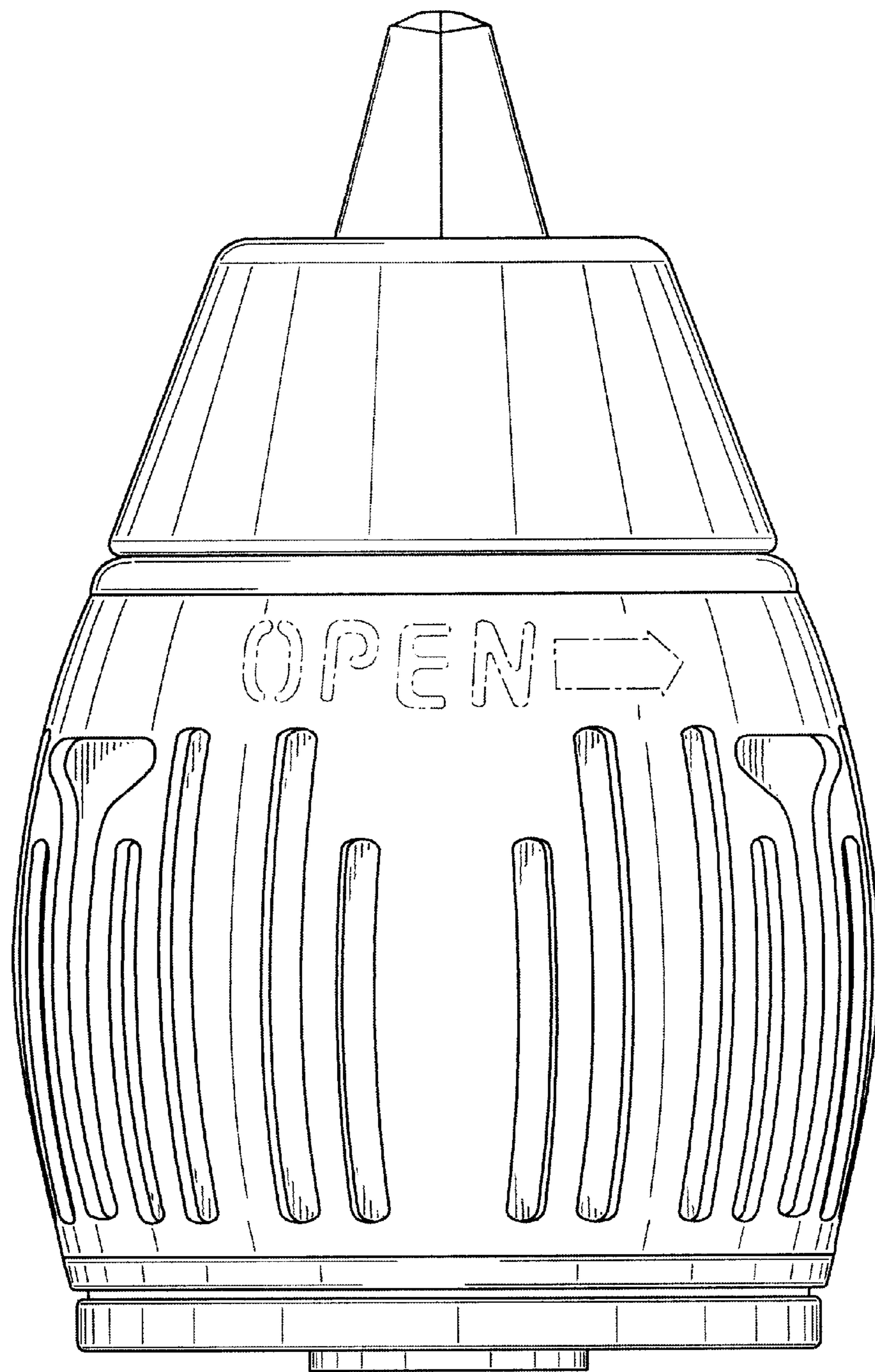


Fig. 3

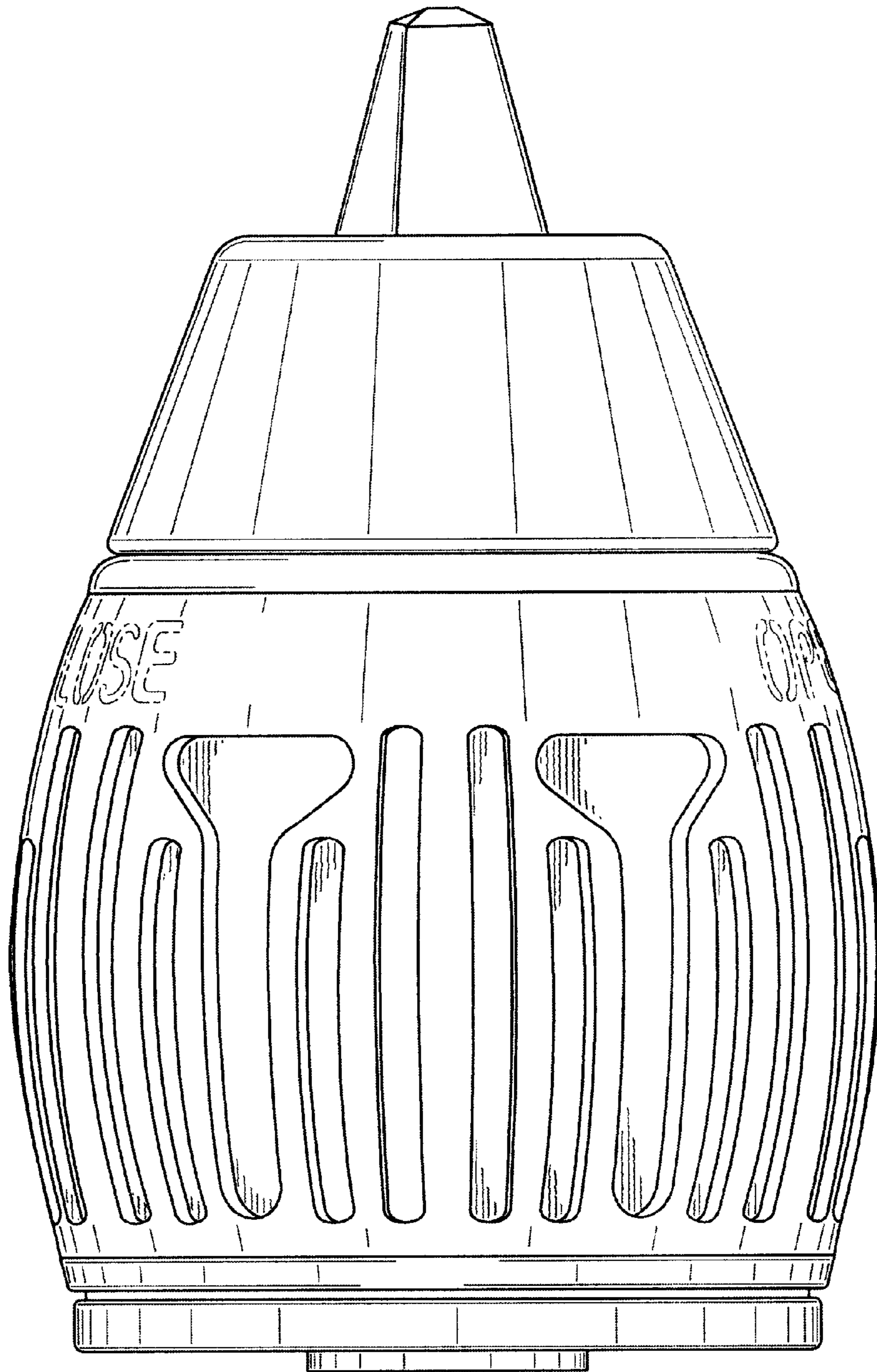


Fig. 4

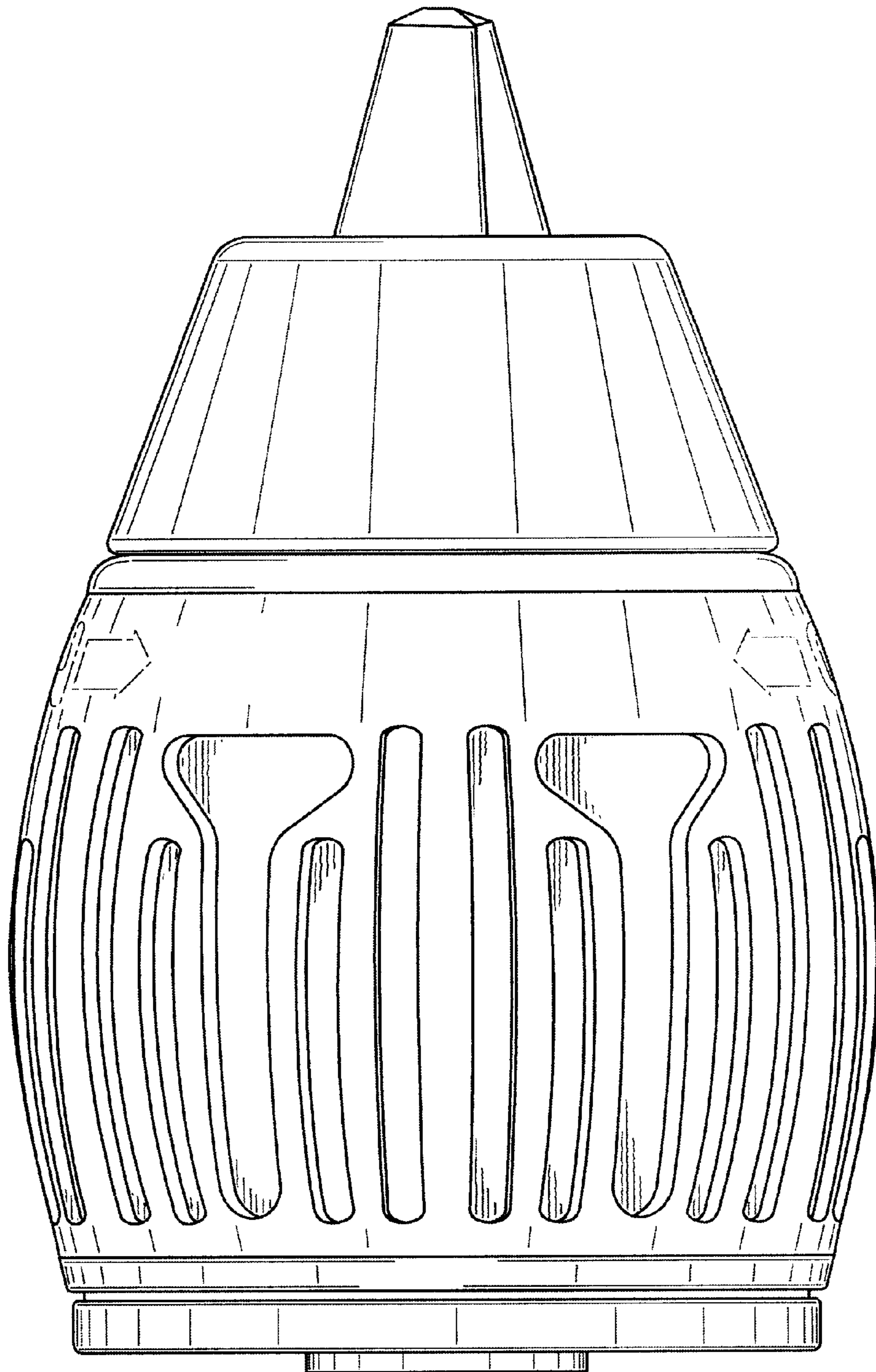


Fig. 5

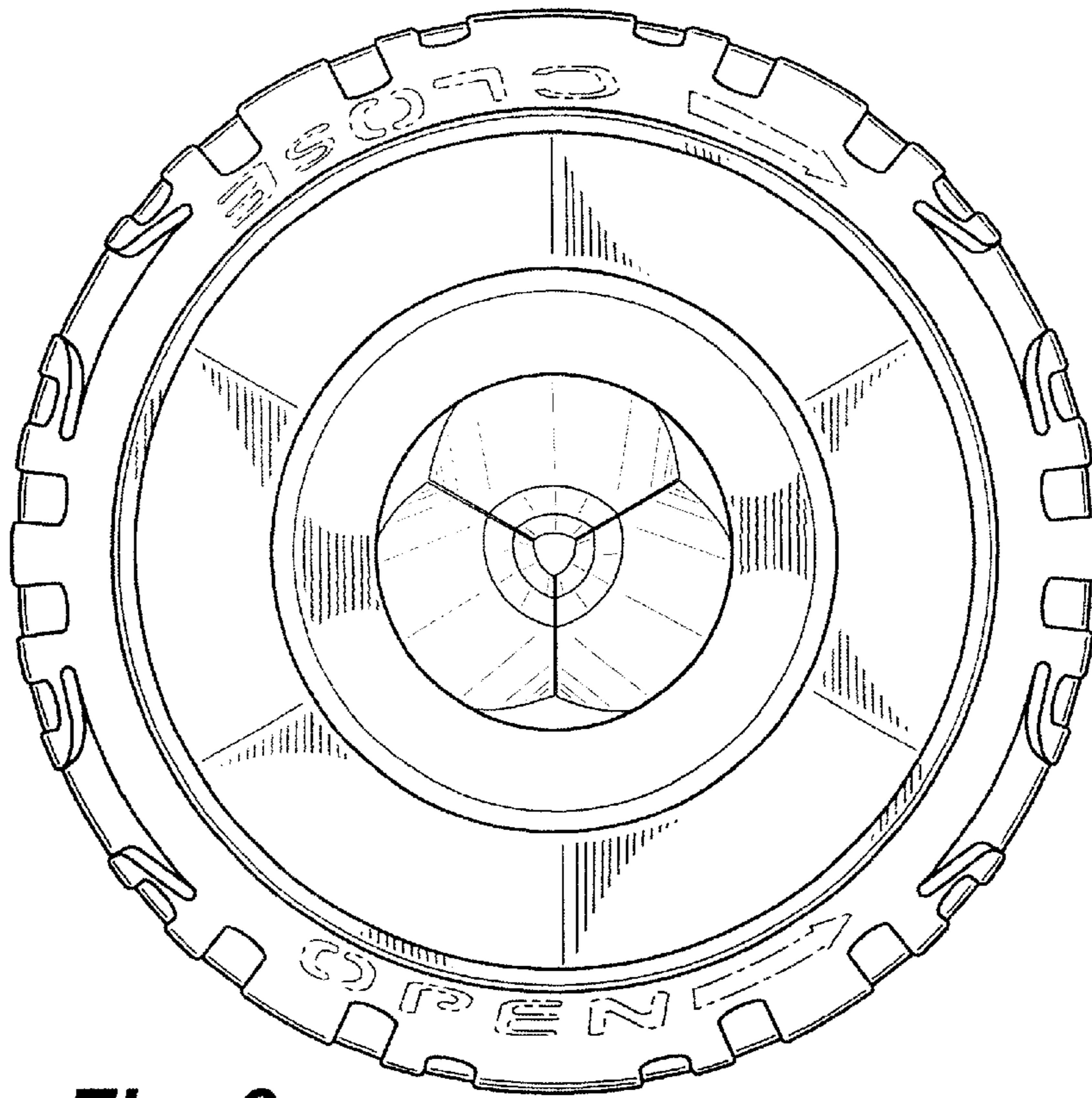


Fig. 6

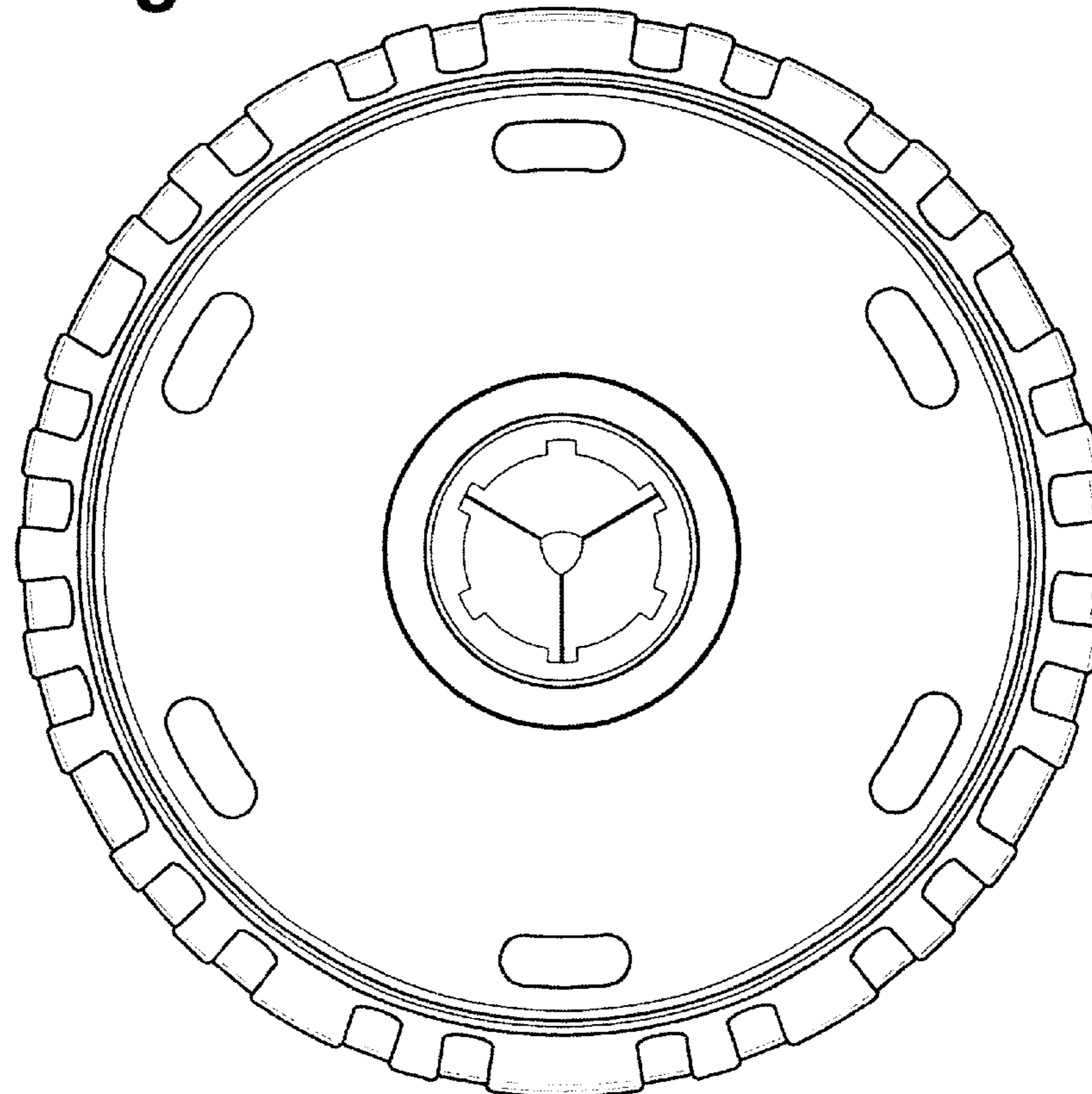


Fig. 7