

US00D540135S

(12) **United States Design Patent**  
**Okuda**

(10) **Patent No.:** **US D540,135 S**

(45) **Date of Patent:** **\*\* Apr. 10, 2007**

(54) **PORTABLE ELECTRIC HAMMER DRILL**

(75) Inventor: **Shinsuke Okuda**, Anjo (JP)

(73) Assignee: **Makita Corporation**, Anjo (JP)

(\*\*) Term: **14 Years**

(21) Appl. No.: **29/262,158**

(22) Filed: **Jun. 28, 2006**

(30) **Foreign Application Priority Data**

Jan. 18, 2006 (JP) ..... 2006-00893

Jan. 18, 2006 (JP) ..... 2006-00892

(51) **LOC (8) Cl.** ..... **08-01**

(52) **U.S. Cl.** ..... **D8/68**

(58) **Field of Classification Search** ..... D8/14.1,  
D8/61, 62, 63, 64, 65, 66, 67, 68, 69, 70;  
81/57.11, 429, 464, 465, 466, 469, 489; 173/13,  
173/104, 114, 168, 169, 170, 171, 178, 201,  
173/211, 213, 217; 408/20, 124, 125, 234,  
408/241 R; 451/358; 310/50; 227/8, 113,  
227/114, 120, 130, 136, 142

See application file for complete search history.

(56) **References Cited**

**U.S. PATENT DOCUMENTS**

4,776,406 A \* 10/1988 Wanner ..... 173/170  
5,036,925 A \* 8/1991 Wache ..... 173/104  
5,159,986 A \* 11/1992 Hoser ..... 173/48  
D337,711 S \* 7/1993 Ogawa et al. .... D8/68  
D342,878 S \* 1/1994 Watanabe et al. .... D8/68  
D343,105 S \* 1/1994 Shibata et al. .... D8/68  
D406,511 S \* 3/1999 Zurwelle ..... D8/68  
D406,741 S \* 3/1999 Zurwelle ..... D8/68

D466,779 S \* 12/2002 Shibata et al. .... D8/68  
D492,565 S \* 7/2004 Stirm ..... D8/68  
D502,374 S \* 3/2005 Aglassinger ..... D8/68  
D502,375 S \* 3/2005 Aglassinger ..... D8/68  
D507,950 S \* 8/2005 Aglassinger ..... D8/68  
D511,286 S \* 11/2005 Aglassinger ..... D8/68  
D527,969 S \* 9/2006 Okada et al. .... D8/68  
2004/0163832 A1 \* 8/2004 Riedl ..... 408/124  
2006/0162943 A1 \* 7/2006 Stirm ..... 173/114

**FOREIGN PATENT DOCUMENTS**

GB 3001472 S \* 2/2002

**OTHER PUBLICATIONS**

European Community Design Regristration No.  
000400254-0001 issued Aug. 30, 2005.

\* cited by examiner

*Primary Examiner*—T. Chase Nelson

(74) *Attorney, Agent, or Firm*—Oliff & Berridge, PLC

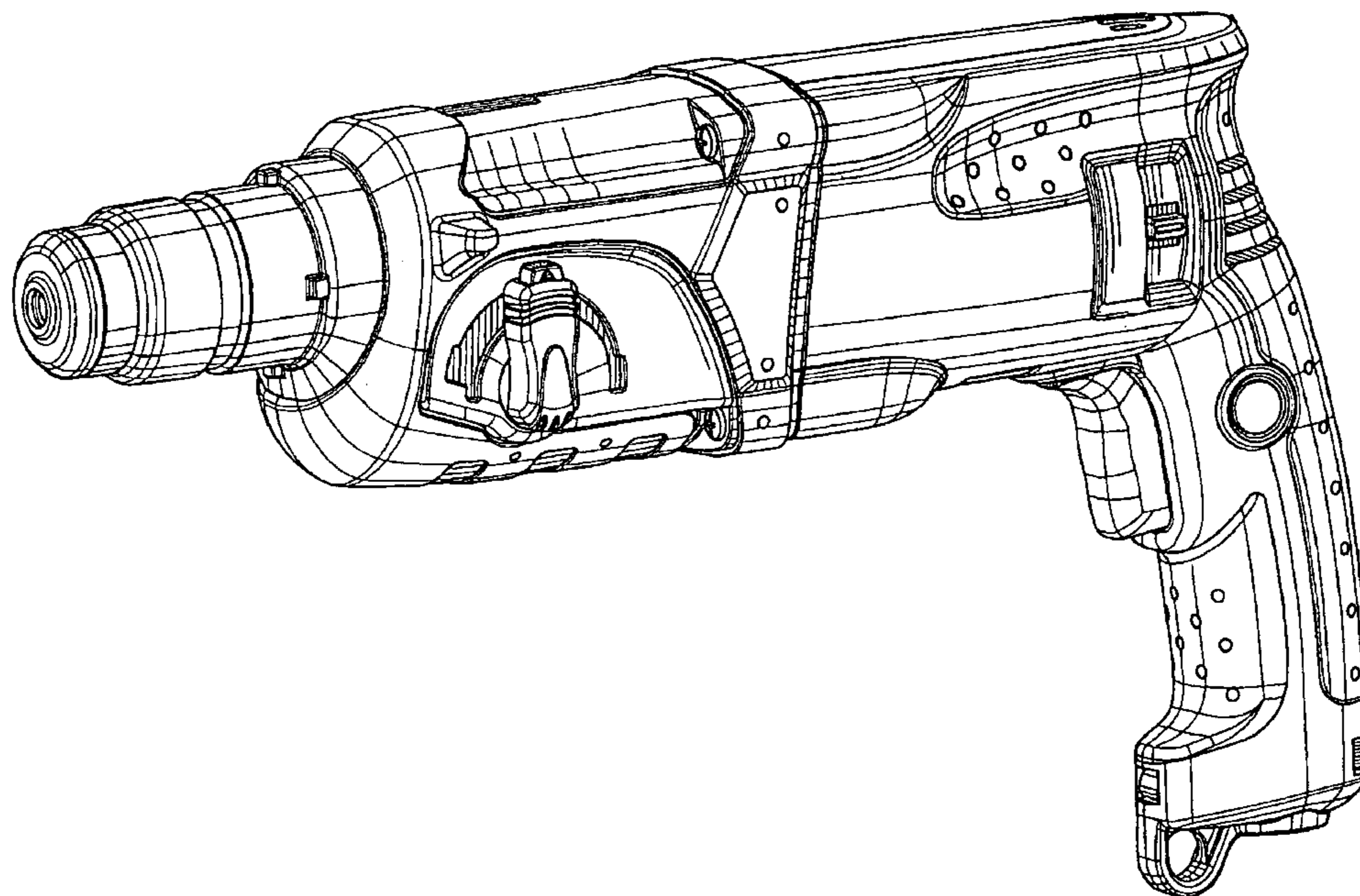
(57) **CLAIM**

The ornamental design for the portable electric hammer  
drill, as shown and described.

**DESCRIPTION**

FIG. 1 is a front perspective view of the portable electric  
hammer drill showing our new design;  
FIG. 2 is a front elevation view thereof;  
FIG. 3 is a rear elevation view thereof;  
FIG. 4 is a left side elevation view thereof;  
FIG. 5 is a right side elevation view thereof;  
FIG. 6 is a top plan view thereof; and,  
FIG. 7 is a bottom plan view thereof.

**1 Claim, 5 Drawing Sheets**



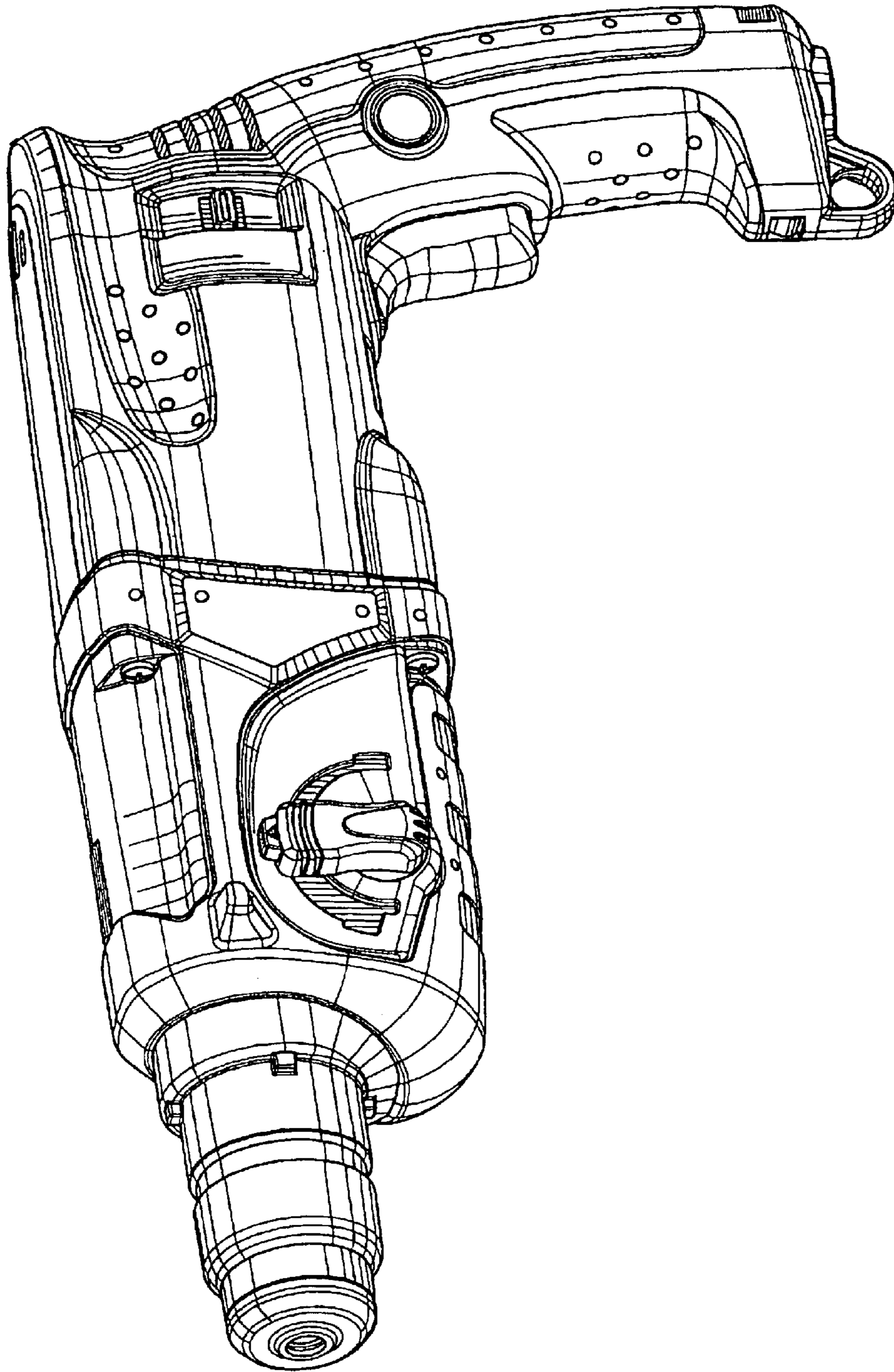


FIG. 1

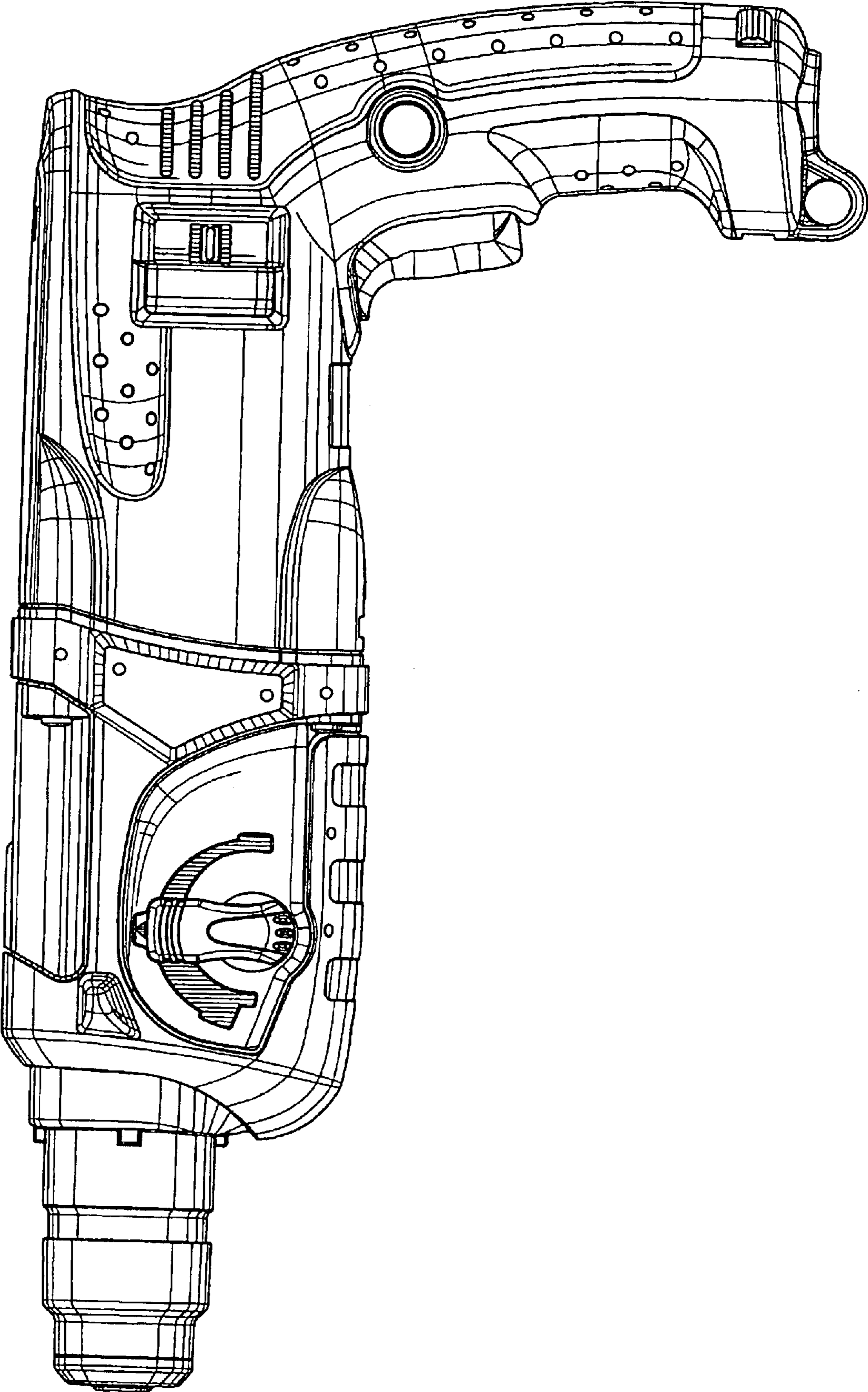


FIG. 2

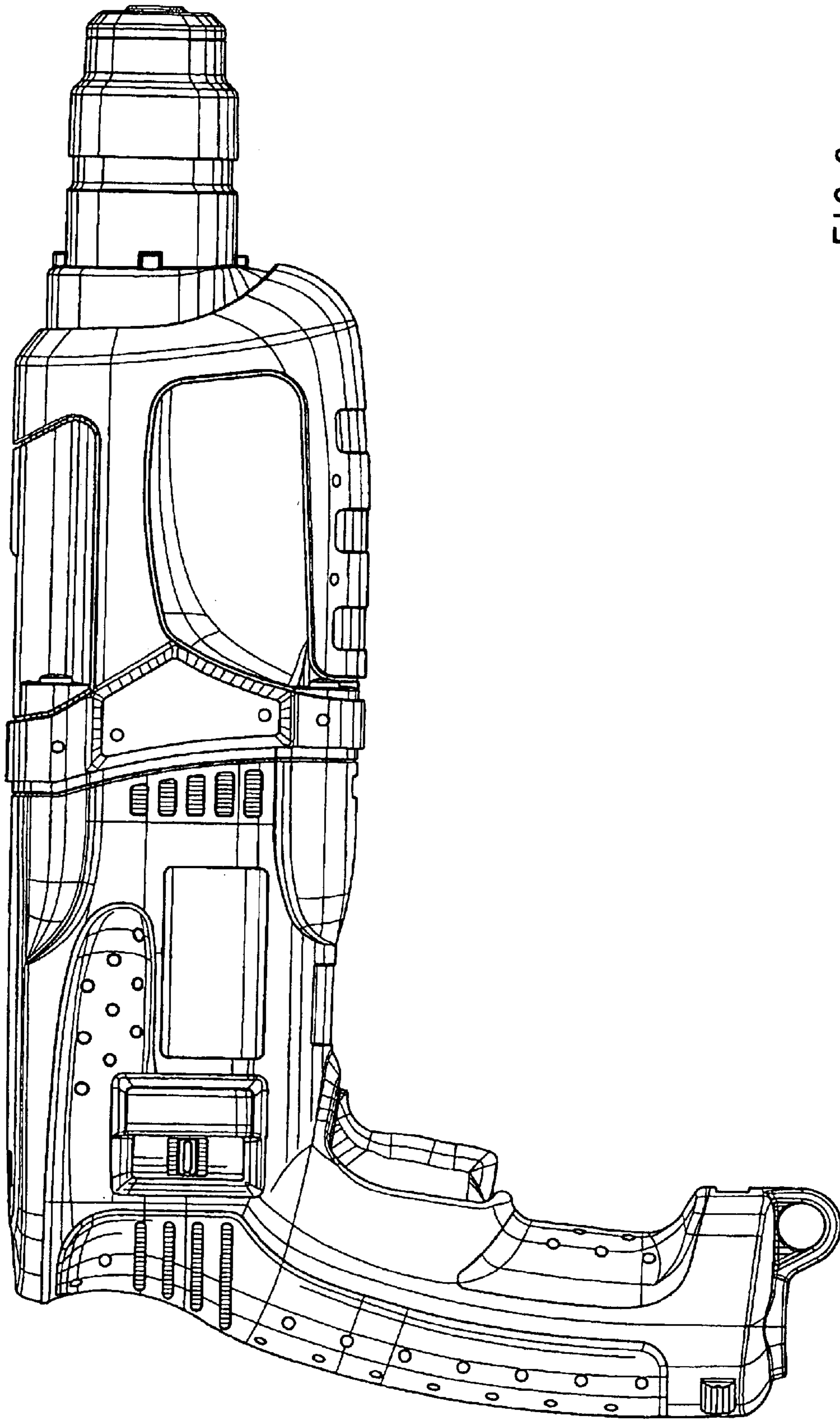


FIG. 3

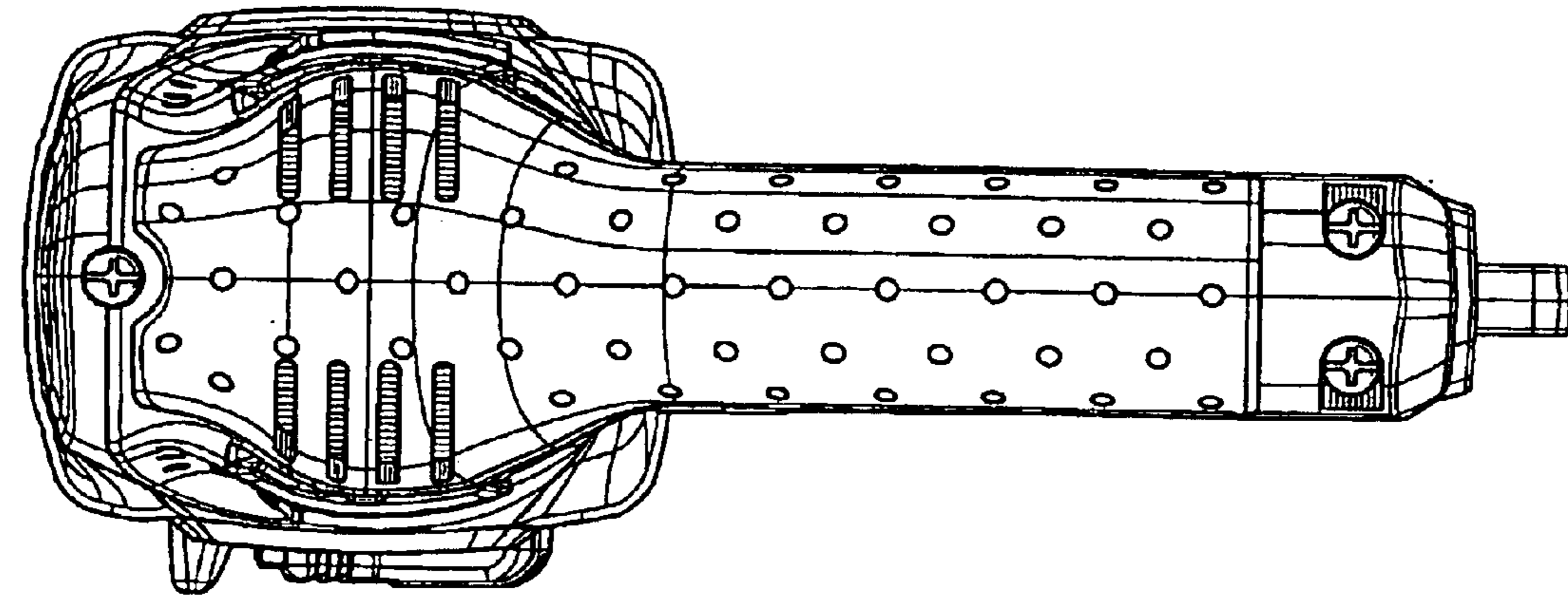


FIG. 5

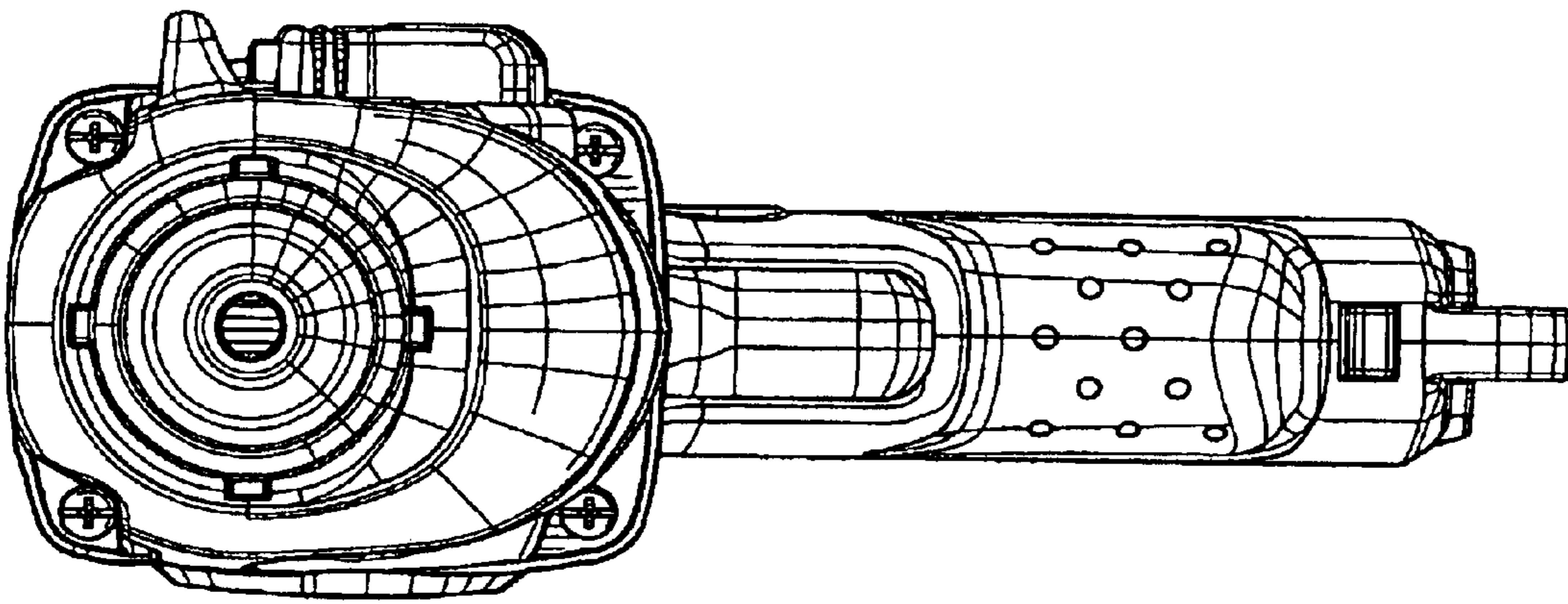


FIG. 4

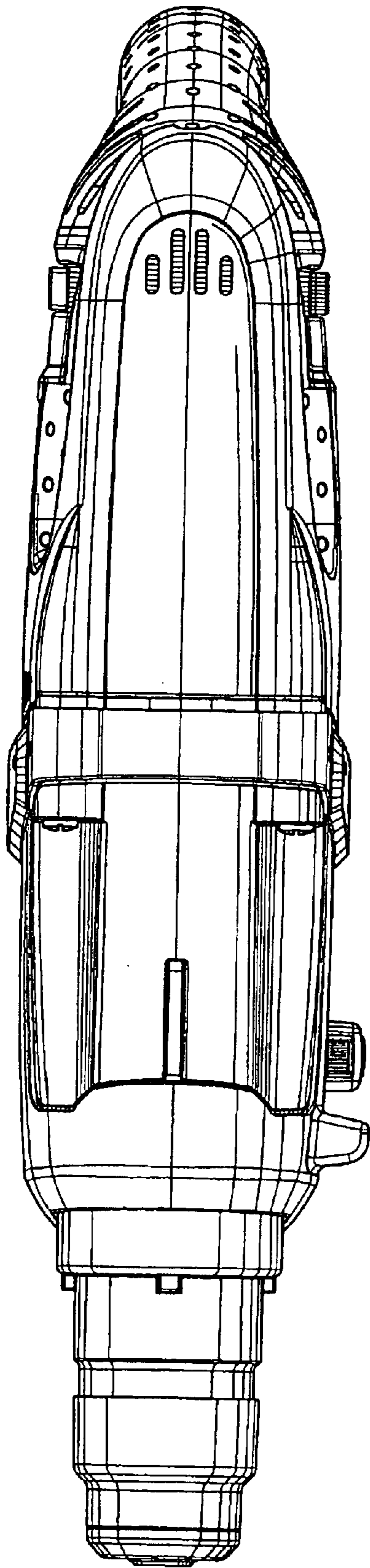


FIG. 6

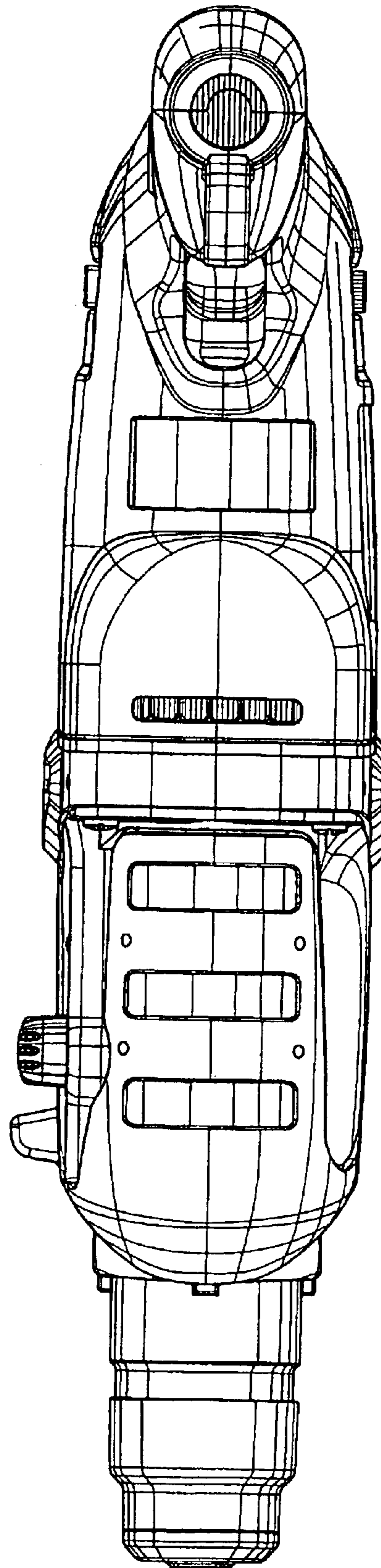


FIG. 7