

US00D540133S

(12) **United States Design Patent** (10) **Patent No.:** **US D540,133 S**
Corcoran (45) **Date of Patent:** **** Apr. 10, 2007**

(54) **PLANER**

2005/0284543 A1 * 12/2005 Kaiser 144/373

(75) Inventor: **Michael Corcoran**, Hexam (GB)

FOREIGN PATENT DOCUMENTS

(73) Assignee: **Black & Decker Inc.**, Newark, DE (US)

DE	000123260-0010	3/2004
EM	000041165-0019	3/2004
FR	726 - 729	6/1997
FR	470 713 - 716	6/1997
FR	648 381 - 387	12/2001
FR	693 765 - 768	2/2003
FR	0381957 - 959	12/2004
WO	DM 009 326	9/1987
WO	DM 060 565	2/2002
WO	DPMA 40107535.4	4/2002
WO	DPMA 40204649.8	9/2002
WO	DM 062 302	11/2002
WO	DM 062 572	11/2002

(**) Term: **14 Years**

(21) Appl. No.: **29/222,139**

(22) Filed: **Jan. 26, 2005**

(30) **Foreign Application Priority Data**

Jan. 28, 1920 (EM) 000206313-0001

(51) **LOC (8) Cl.** **08-01**

(52) **U.S. Cl.** **D8/62**

(58) **Field of Classification Search** D8/67, D8/62, 61; D32/15, 17, 19; D4/102; 144/154.5, 144/252.1, 373; 451/355, 354, 353, 351, 451/344, 456, 451, 359, 358, 357, 356
See application file for complete search history.

* cited by examiner

Primary Examiner—Cathron C. Brooks

Assistant Examiner—Austin Murphy

(74) *Attorney, Agent, or Firm*—John Yun; Bruce S. Shapiro; Wesley W. Muller

(56) **References Cited**

(57) **CLAIM**

The ornamental design for a planer, as shown and described.

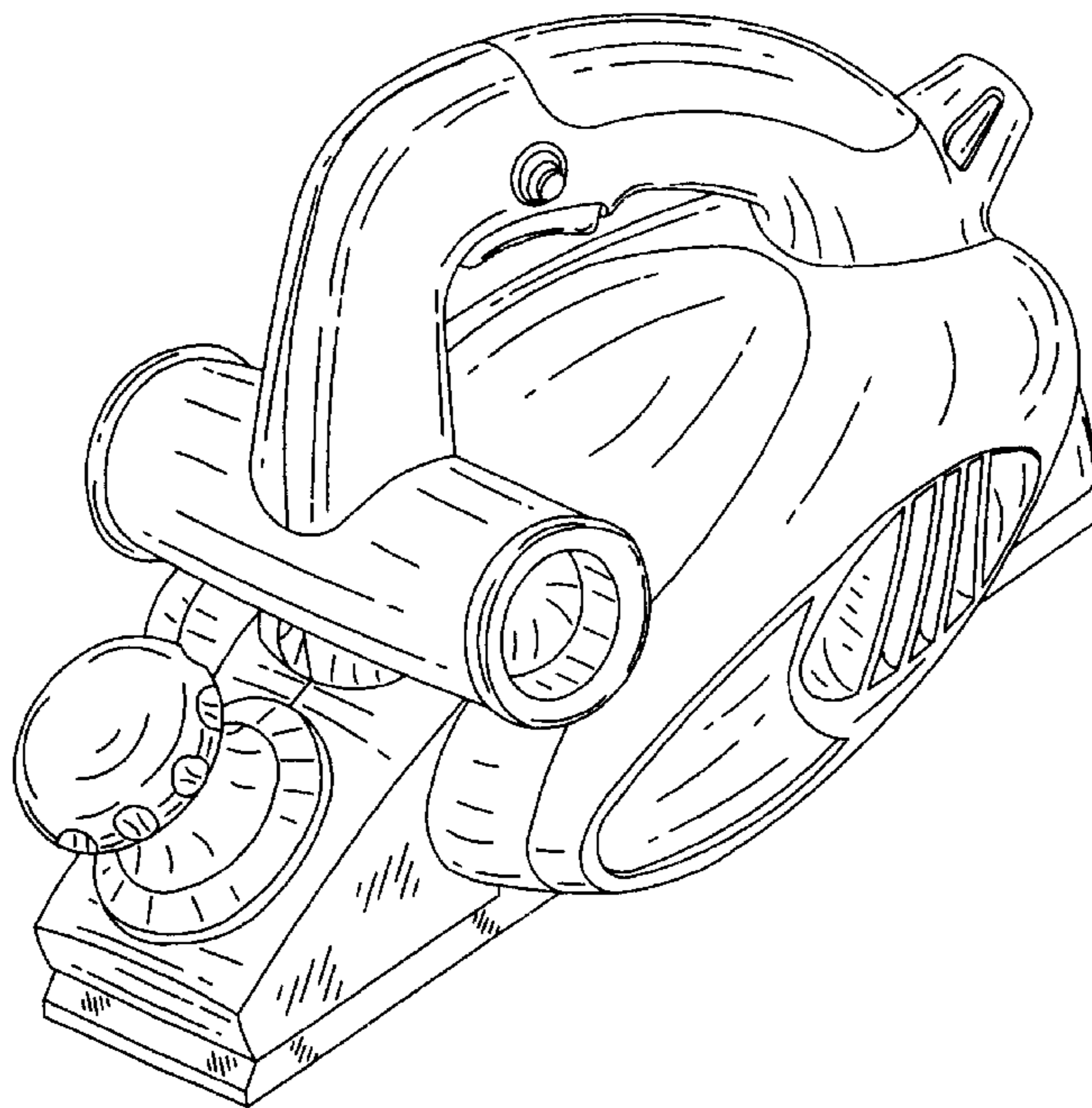
U.S. PATENT DOCUMENTS

DESCRIPTION

4,363,343	A	*	12/1982	Cuneo	30/475
4,442,878	A	*	4/1984	Moriguchi et al.	30/475
D282,236	S	*	1/1986	Shohoji et al.	D8/61
4,584,772	A	*	4/1986	Bergler	30/475
4,601,104	A	*	7/1986	Zaiser et al.	30/475
5,815,934	A	*	10/1998	Eichberger et al.	30/475
D475,594	S	*	6/2003	Bian	D8/62
D501,775	S	*	2/2005	Tillman et al.	D8/62
D508,833	S	*	8/2005	Brazell et al.	D8/62
D509,117	S	*	9/2005	Tillman et al.	D8/62
D512,619	S	*	12/2005	Aglassinger	D8/62
2005/0274433	A1	*	12/2005	Thomas	144/252.1

FIG. 1 is a left/front perspective view of a planer showing my new design.
FIG. 2 is a front view thereof.
FIG. 3 is a rear view thereof.
FIG. 4 is a left side view thereof.
FIG. 5 is a right side view thereof.
FIG. 6 is a top plan view thereof; and,
FIG. 7 is a bottom plan view thereof.

1 Claim, 6 Drawing Sheets



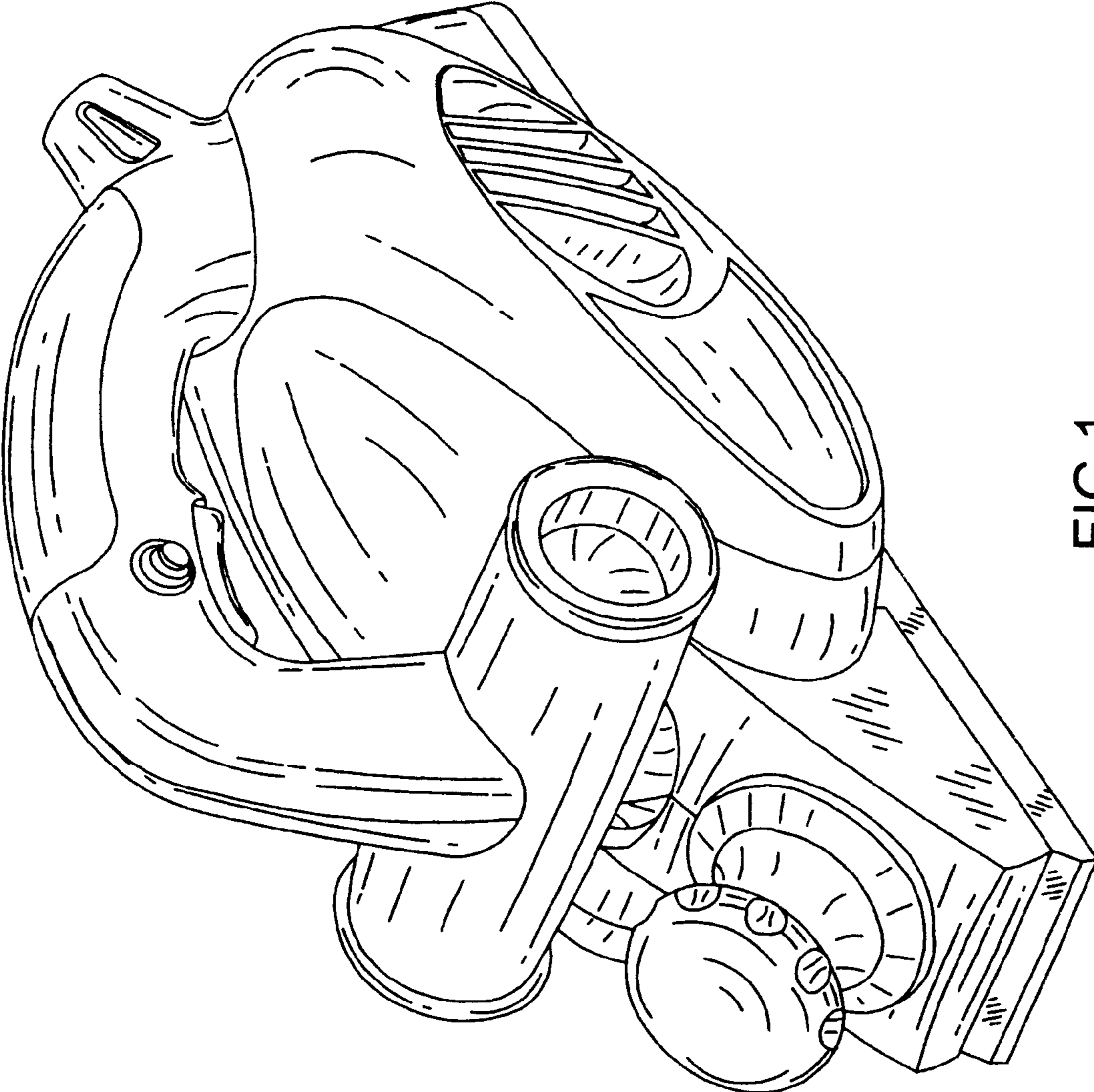


FIG.1

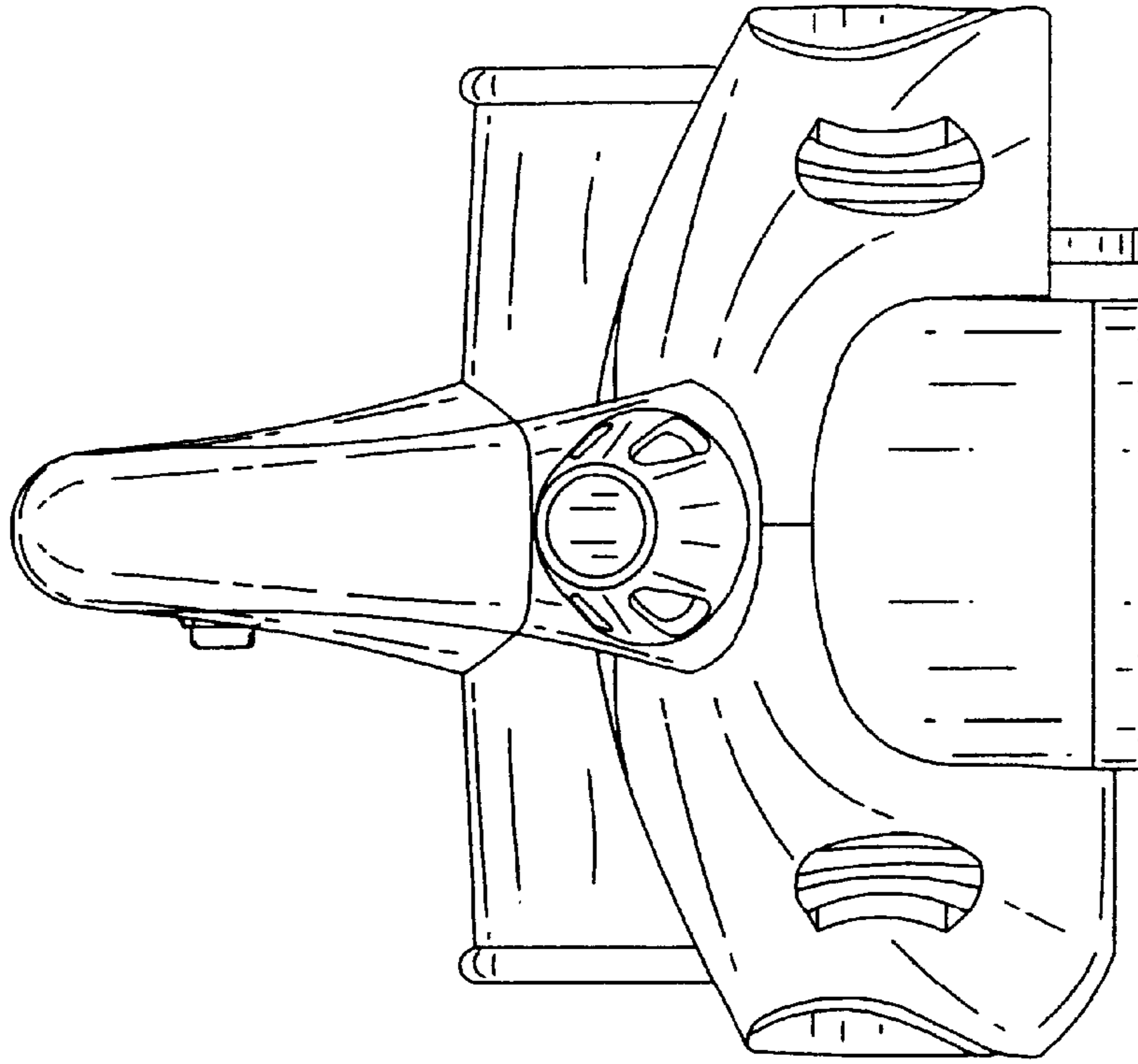


FIG.3

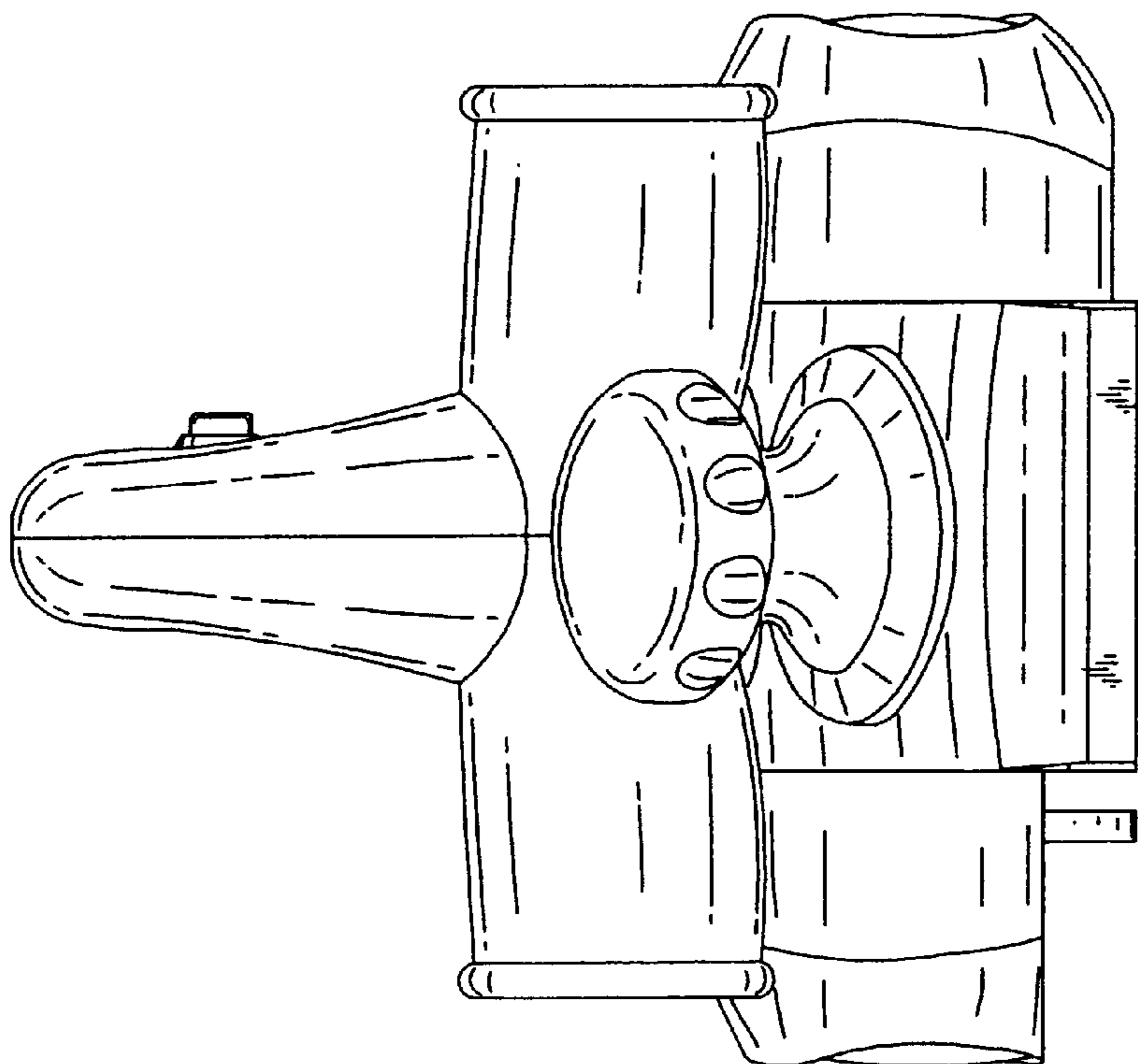


FIG.2

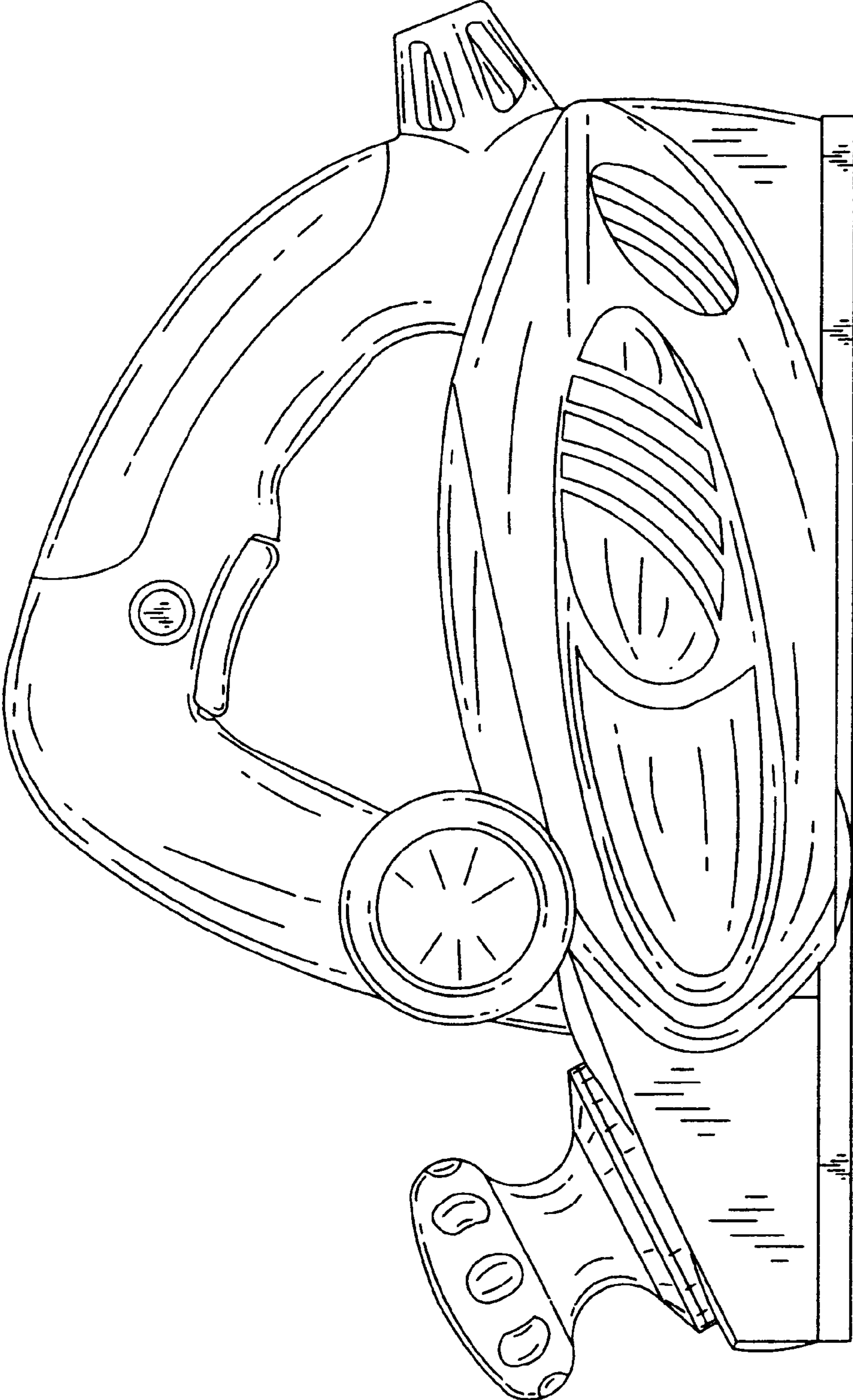


FIG.4

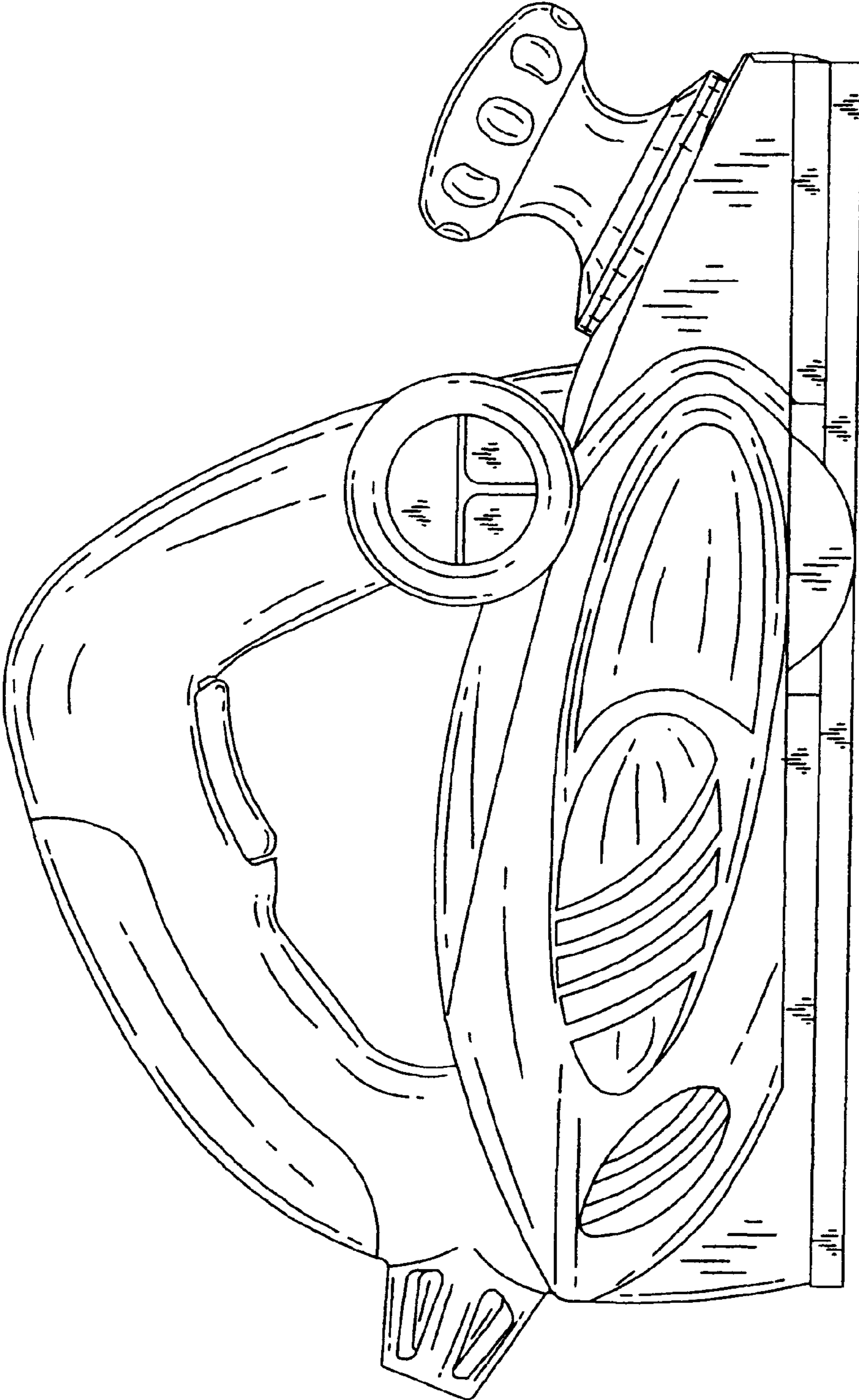


FIG.5

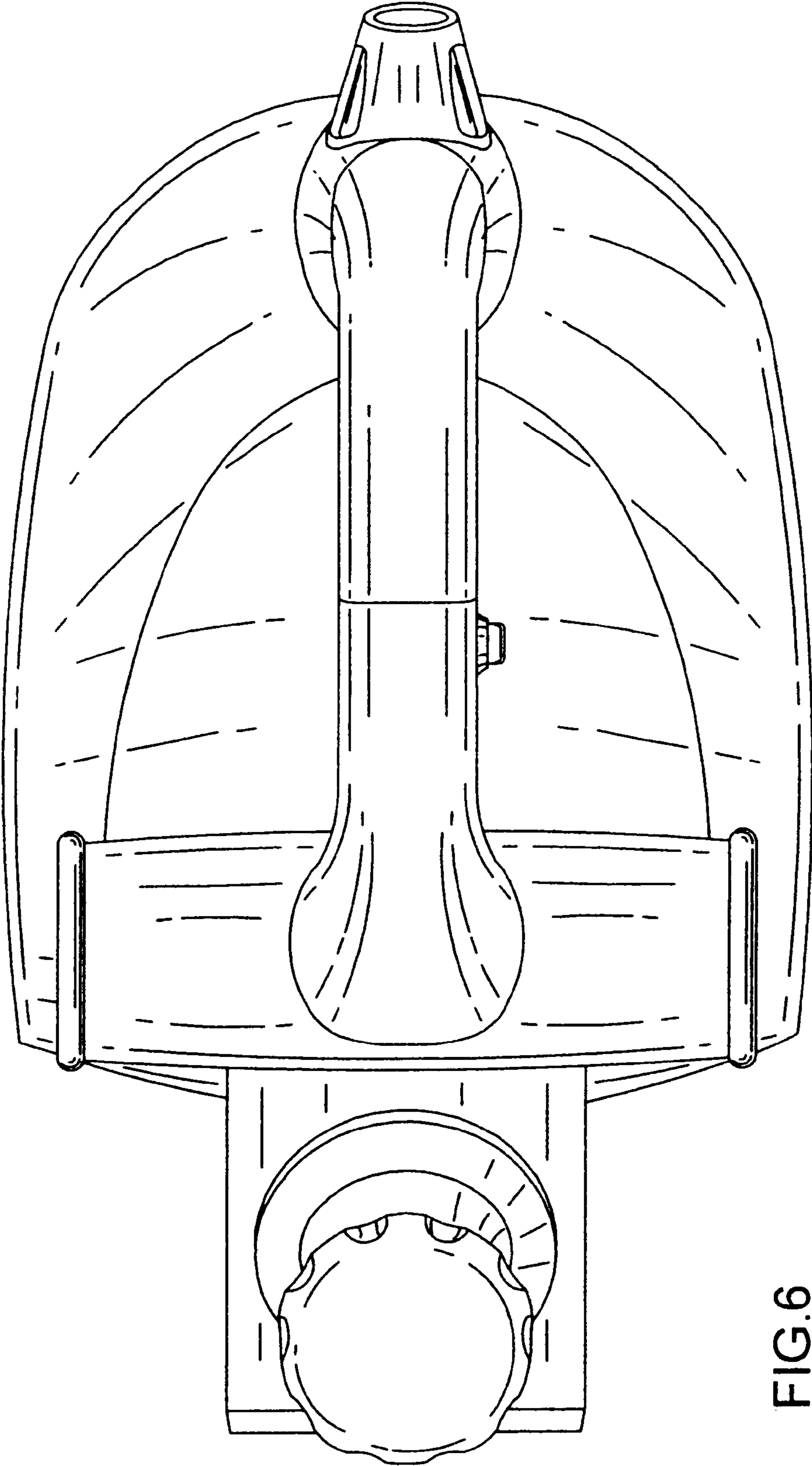


FIG. 6

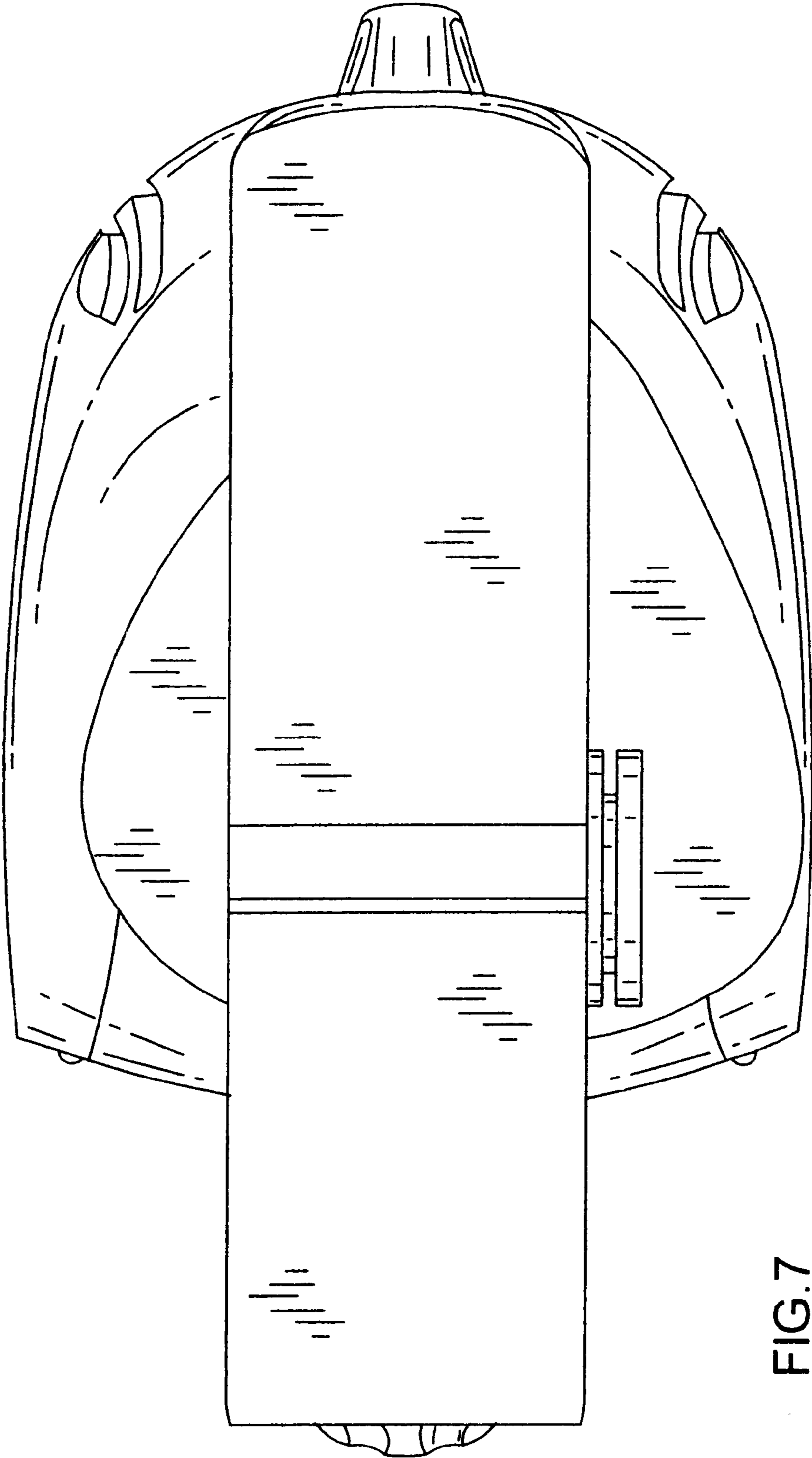


FIG. 7