

US00D540132S

(12) **United States Design Patent**  
**Anderson**

(10) **Patent No.:** **US D540,132 S**

(45) **Date of Patent:** **\*\* Apr. 10, 2007**

(54) **DECKING STRAIGHTENER**

(76) **Inventor:** **Michael D Anderson**, 2702 E. Caley Ave., Littleton, CO (US) 80121

(\*\*) **Term:** **14 Years**

(21) **Appl. No.:** **29/198,400**

(22) **Filed:** **Jan. 29, 2004**

(51) **LOC (8) Cl.** ..... **08-05**

(52) **U.S. Cl.** ..... **D8/51**

(58) **Field of Classification Search** ..... D8/51,  
D8/59, 71, 74, 354, 355, 382, 394; D10/64,  
D10/70, 73; 254/11, 15, 17

See application file for complete search history.

(56) **References Cited**

**U.S. PATENT DOCUMENTS**

32,120 A	4/1861	Clough	
281,968 A	7/1883	Caywood	
338,933 A	3/1886	Cloyd	
396,104 A	1/1889	Morrill	
721,681 A	3/1903	Early	
2,351,691 A	6/1944	Mansin	
2,438,766 A	3/1948	Rifenberg	
D151,302 S	* 10/1948	Uydess	D8/74
2,780,437 A	2/1957	Ham	
3,779,515 A	12/1973	Larios et al.	
4,620,691 A	11/1986	Waters, Jr.	
4,621,791 A	11/1986	Staskiewicz	
D302,101 S	* 7/1989	Livick	D8/71
D312,567 S	* 12/1990	Gilman	D8/394
D316,979 S	* 5/1991	Reynolds	D10/70
5,139,231 A	* 8/1992	Temple	254/15
5,190,266 A	3/1993	Barrera	

D335,461 S	* 5/1993	Horsley, Jr.	D10/64
D339,728 S	* 9/1993	Lee	D8/71
5,248,127 A	9/1993	Young	
5,527,014 A	6/1996	Bracewell	
5,605,319 A	2/1997	Reiley	
D406,069 S	* 2/1999	Boyce	D10/64
5,894,705 A	* 4/1999	Sutton	52/747.1
D457,795 S	* 5/2002	Mohammed et al.	D8/51

\* cited by examiner

*Primary Examiner*—Alan P. Douglas

*Assistant Examiner*—Deanna Fluegeman

(74) *Attorney, Agent, or Firm*—Brian D. Smith, P.C.

(57) **CLAIM**

The ornamental design for a decking straightener, as shown and described.

**DESCRIPTION**

FIG. 1 is a perspective view of my design for a decking straightener;

FIG. 2 is a left side elevation view of the decking straightener of FIG. 1;

FIG. 3 is a right side elevation view of the decking straightener of FIG. 1;

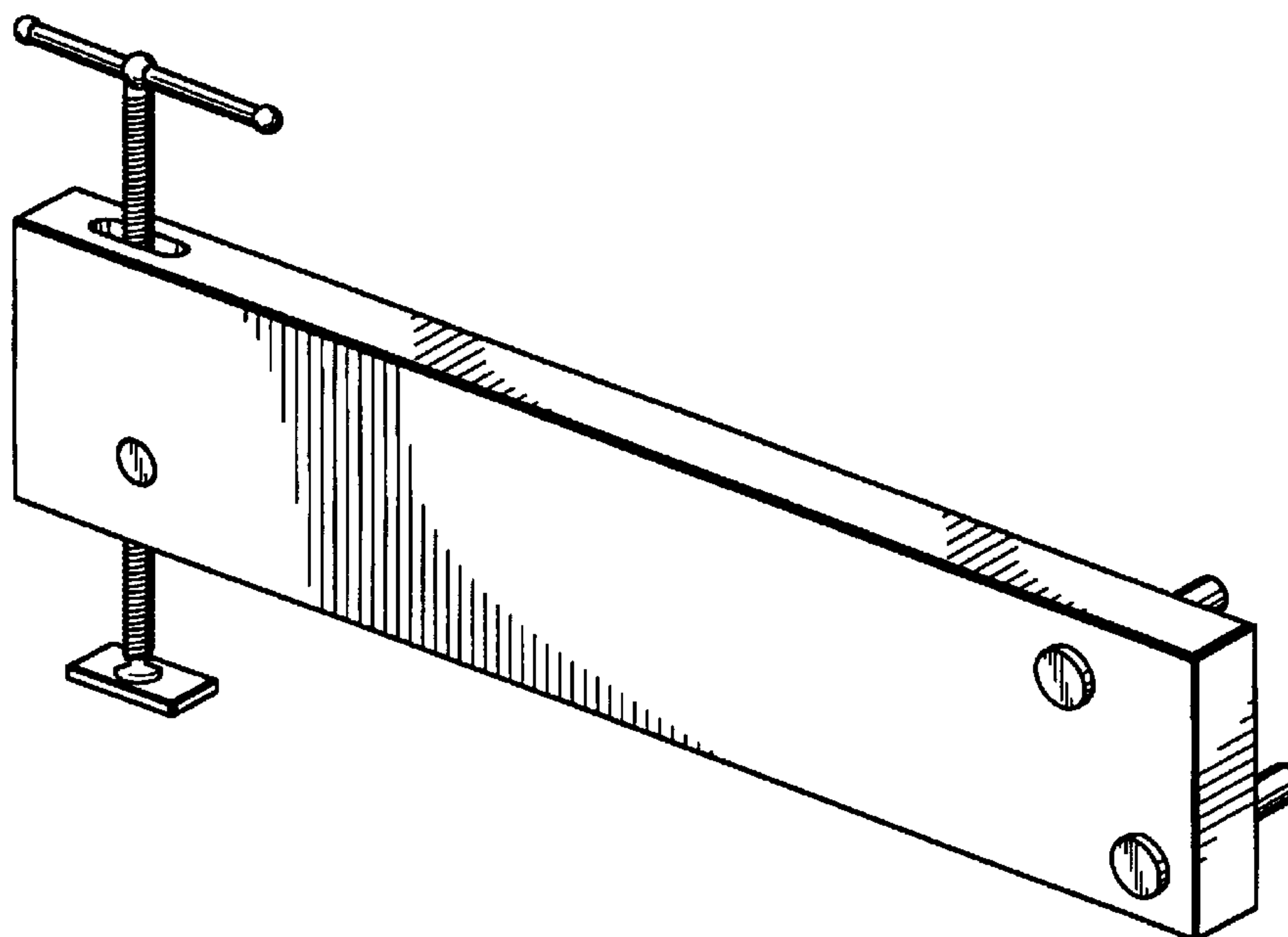
FIG. 4 is a top plan view of the decking straightener of FIG. 1;

FIG. 5 is a bottom plan view of the decking straightener of FIG. 1;

FIG. 6 is a front elevation view of the decking straightener of FIG. 1; and,

FIG. 7 is a rear elevation view of the decking straightener of FIG. 1.

**1 Claim, 2 Drawing Sheets**



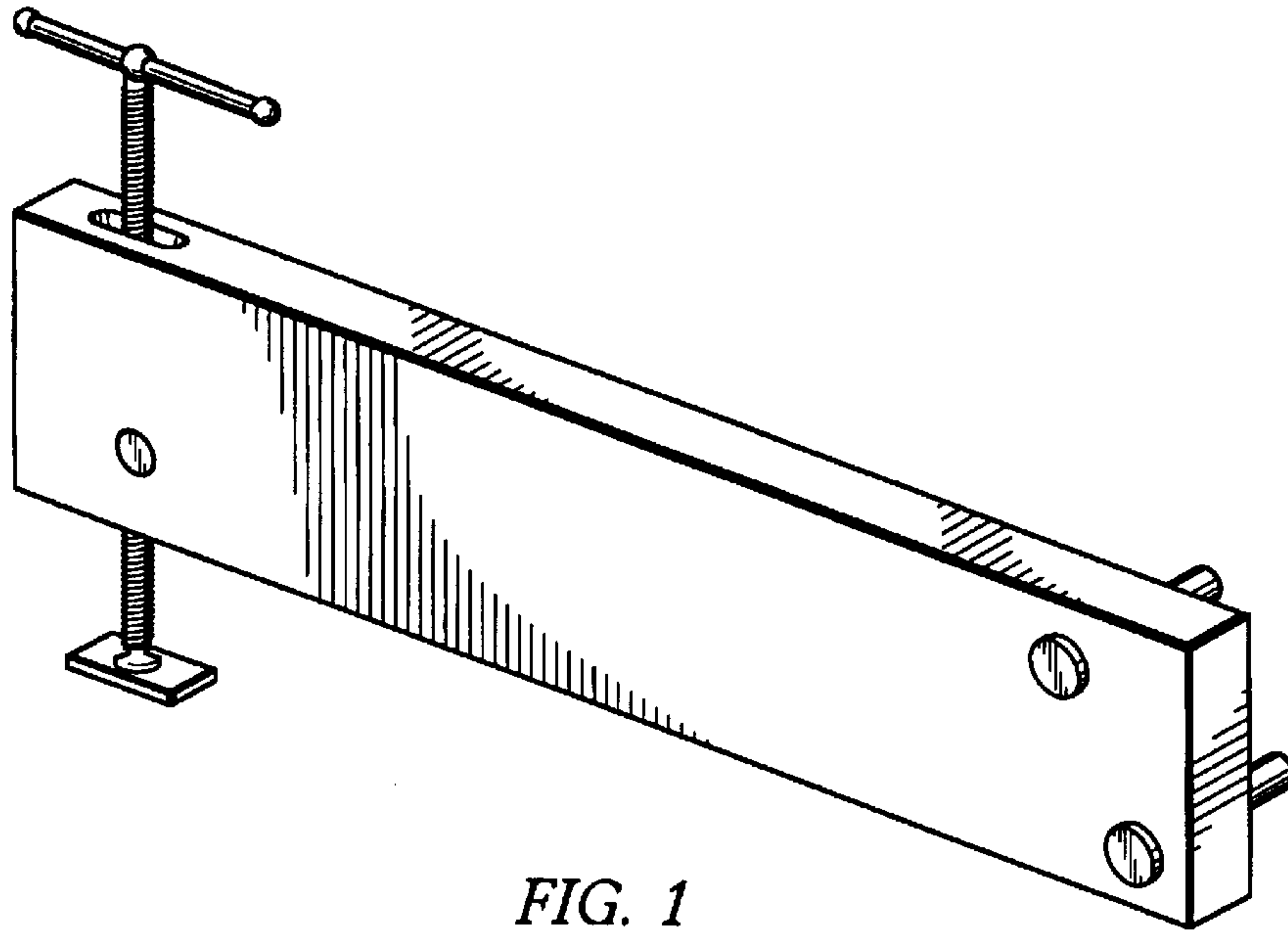


FIG. 1

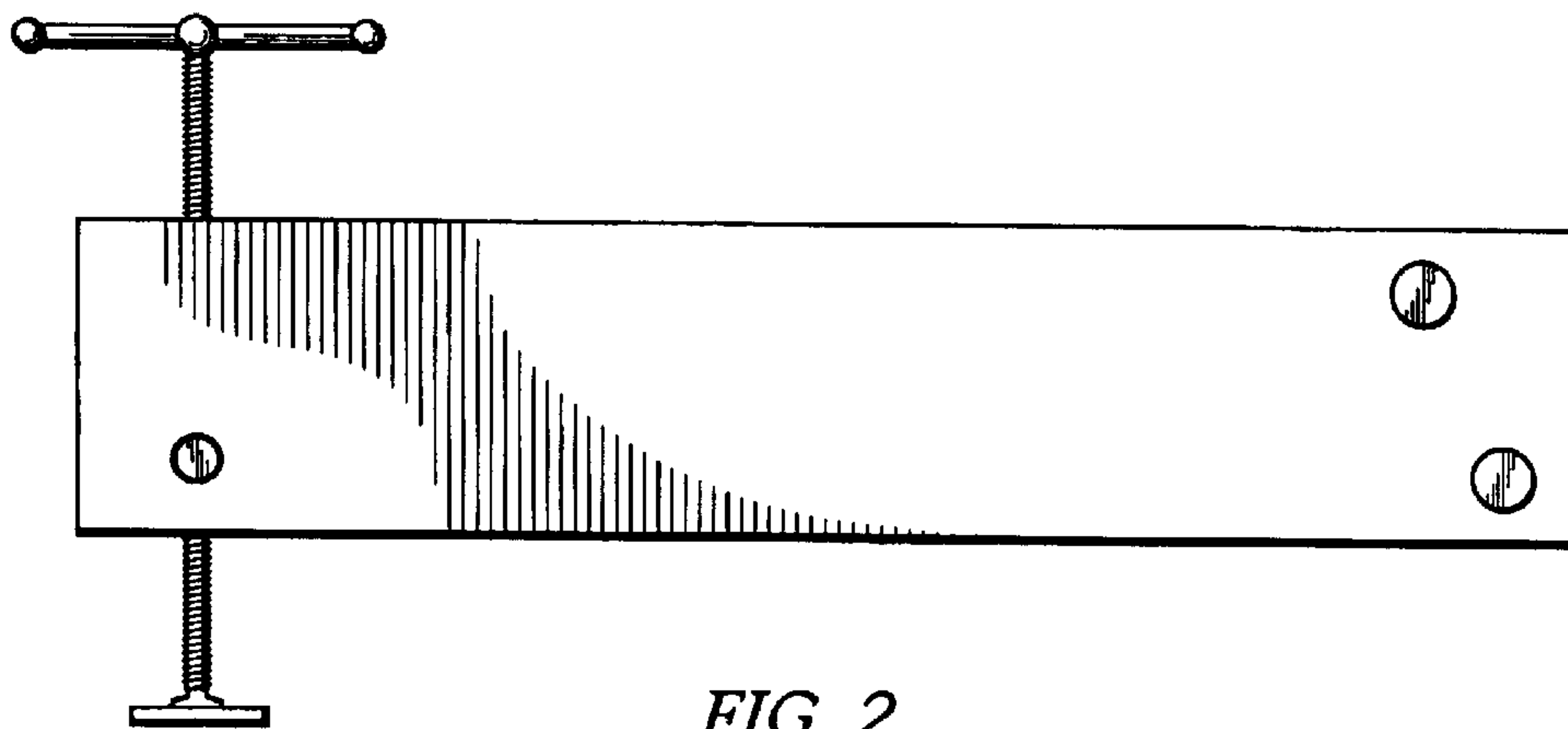


FIG. 2

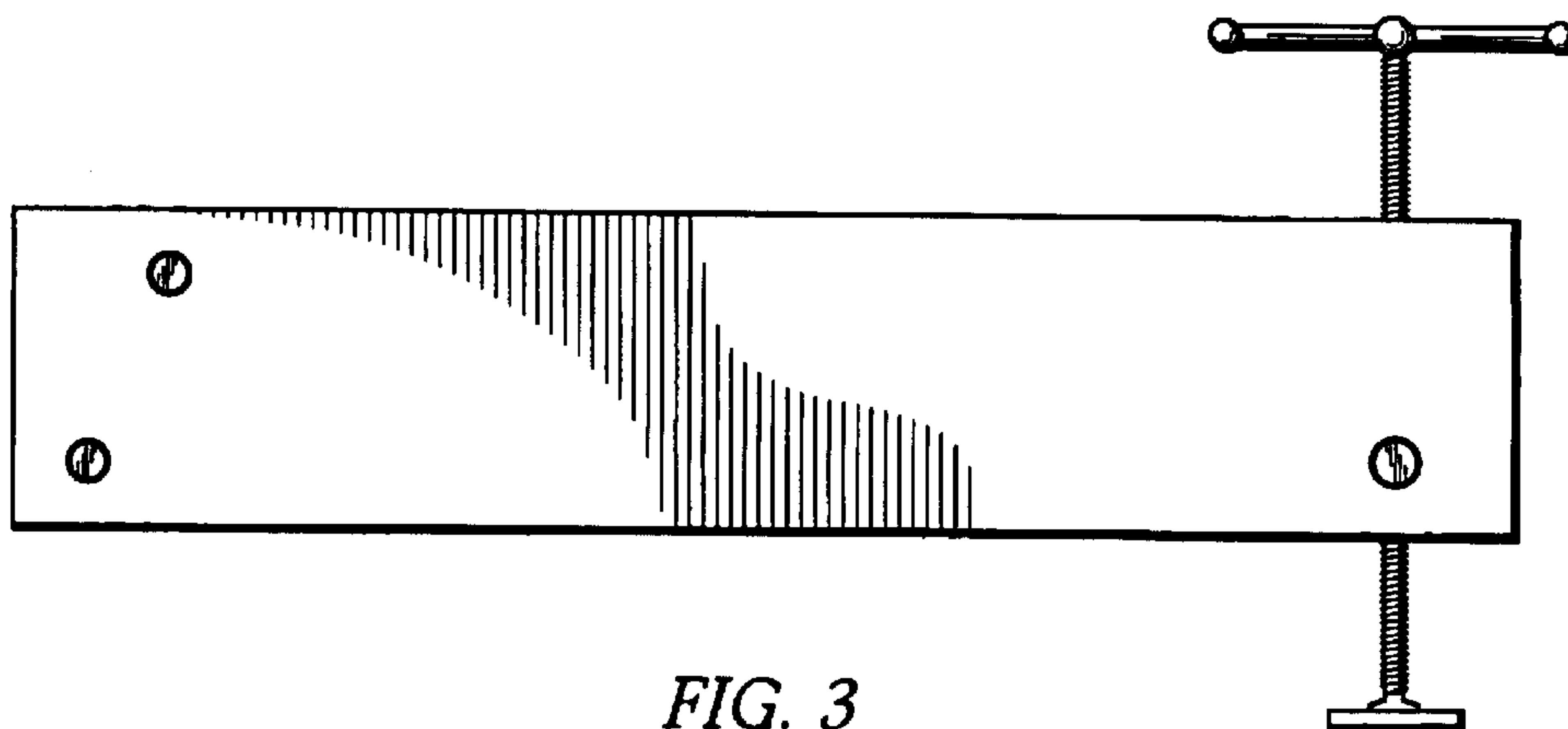


FIG. 3

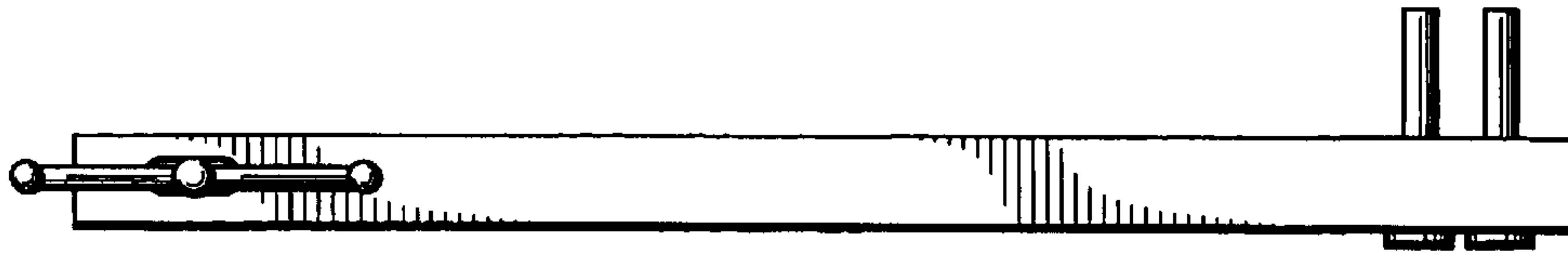


FIG. 4

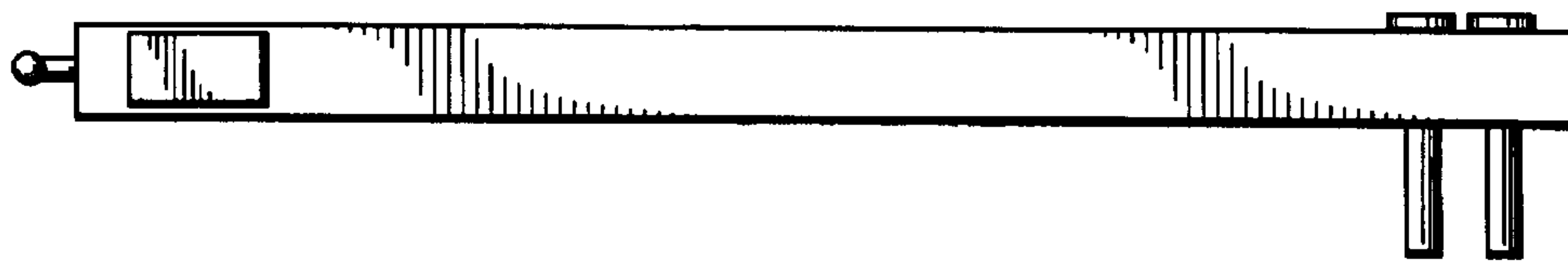


FIG. 5

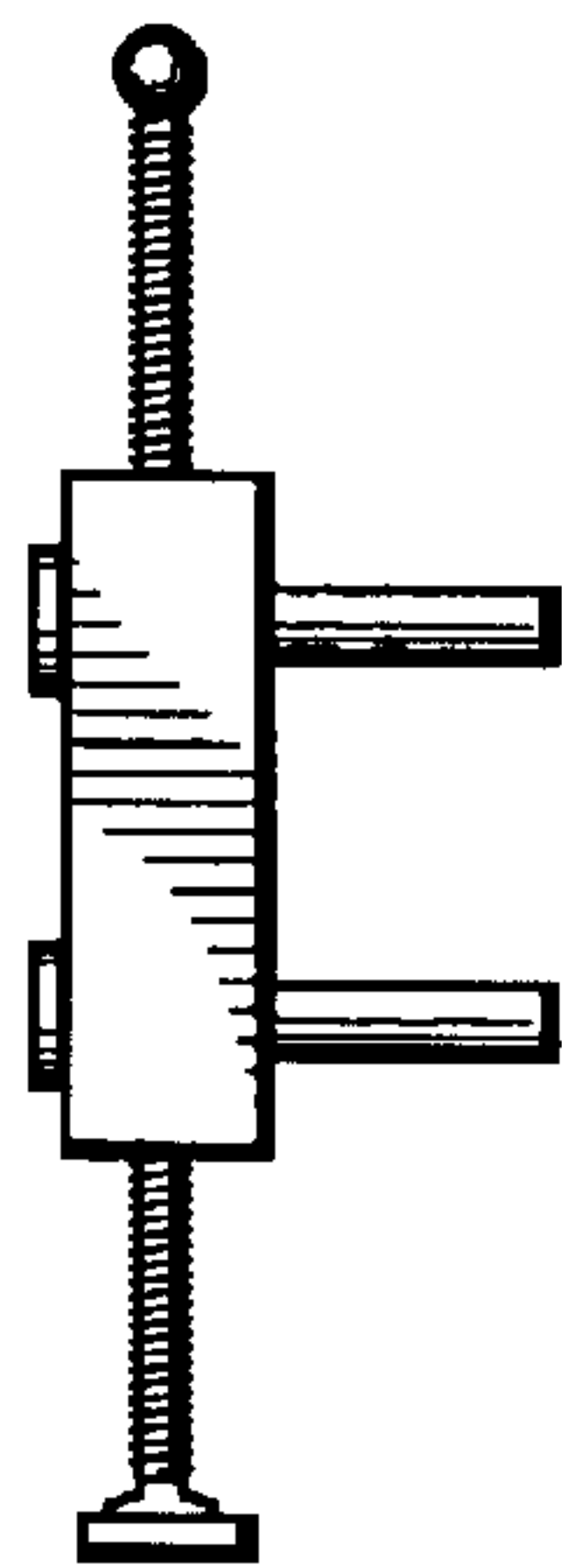


FIG. 6



FIG. 7