



US00D540128S

(12) **United States Design Patent**  
**Pontzious**

(10) **Patent No.:** **US D540,128 S**

(45) **Date of Patent:** **\*\* Apr. 10, 2007**

(54) **FOOD MANIPULATING UTENSIL**

(76) **Inventor:** **H. Dean Pontzious**, 37569 Enterprise Ct., Suite F, Newark, CA (US) 94560

(\*\*) **Term:** **14 Years**

(21) **Appl. No.:** **29/257,521**

(22) **Filed:** **Apr. 4, 2006**

(51) **LOC (8) Cl.** ..... **07-02**

(52) **U.S. Cl.** ..... **D7/683**

(58) **Field of Classification Search** ..... D7/680-696,  
D7/693, 395; 30/123, 142, 322, 323; 99/419,  
99/421 A, 421 H, 441; 294/1.1, 5, 26, 50,  
294/55.5, 61

See application file for complete search history.

(56) **References Cited**

**U.S. PATENT DOCUMENTS**

1,202,120 A	10/1916	Stuckel	
2,604,350 A *	7/1952	Taylor	294/26
3,162,475 A *	12/1964	Van Allen	294/26
4,168,856 A	9/1979	Rhoades	

D332,554 S *	1/1993	Gomez et al.	D7/683
D396,173 S *	7/1998	Muir, Jr.	D7/683
5,813,120 A *	9/1998	Stroh	30/123
5,896,668 A	4/1999	Murrell	
6,312,030 B1	11/2001	Johannes	
6,464,271 B1	10/2002	Irvin	
6,536,118 B1	3/2003	Campbell	

\* cited by examiner

*Primary Examiner*—Terry A. Wallace

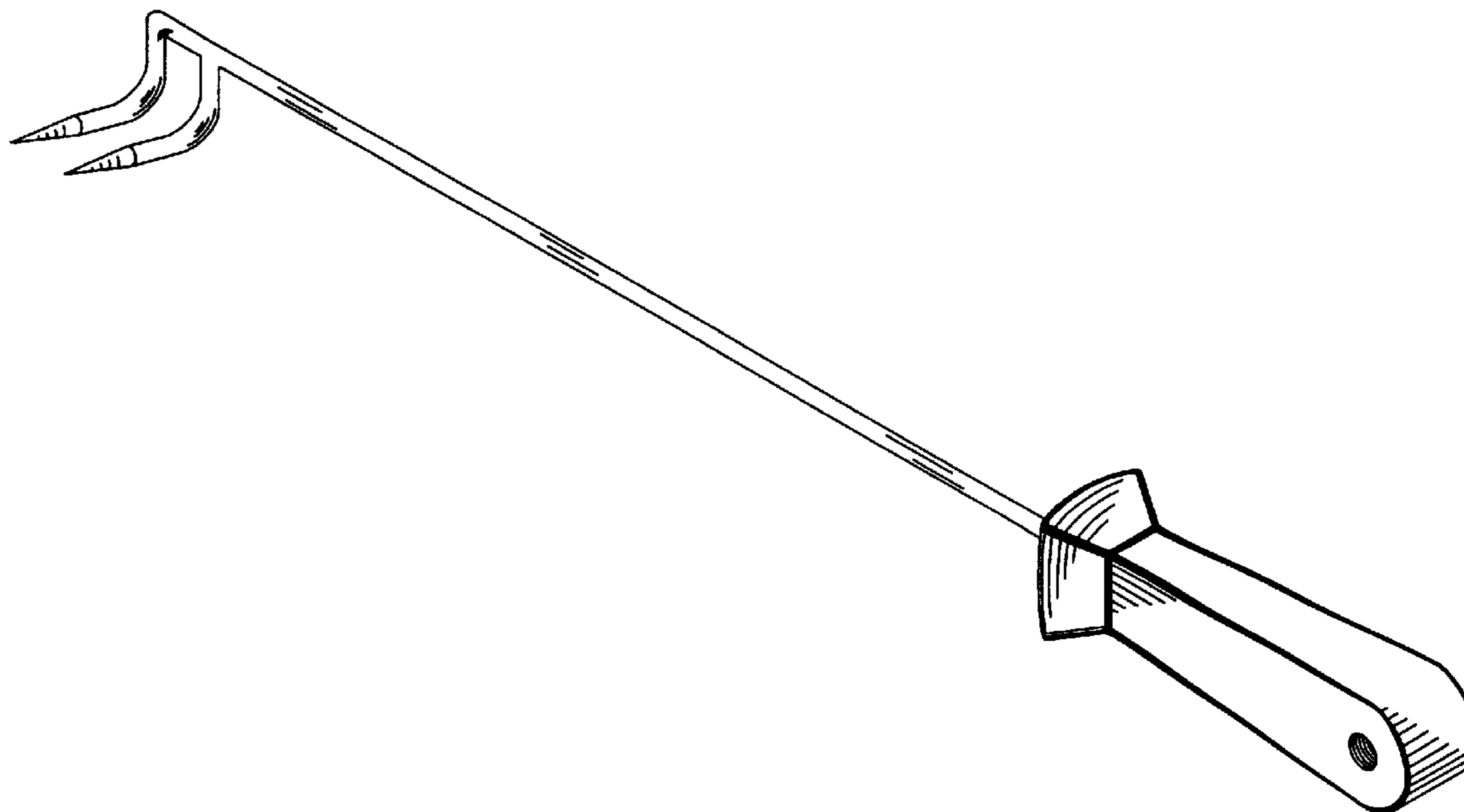
(57) **CLAIM**

The ornamental design for a food manipulating utensil, as shown.

**DESCRIPTION**

FIG. 1 is a perspective view of the food manipulating utensil;  
FIG. 2 is a top view;  
FIG. 3 is a side view; and  
FIG. 4 is a front view; and,  
FIG. 5 is a rear view.

**1 Claim, 2 Drawing Sheets**



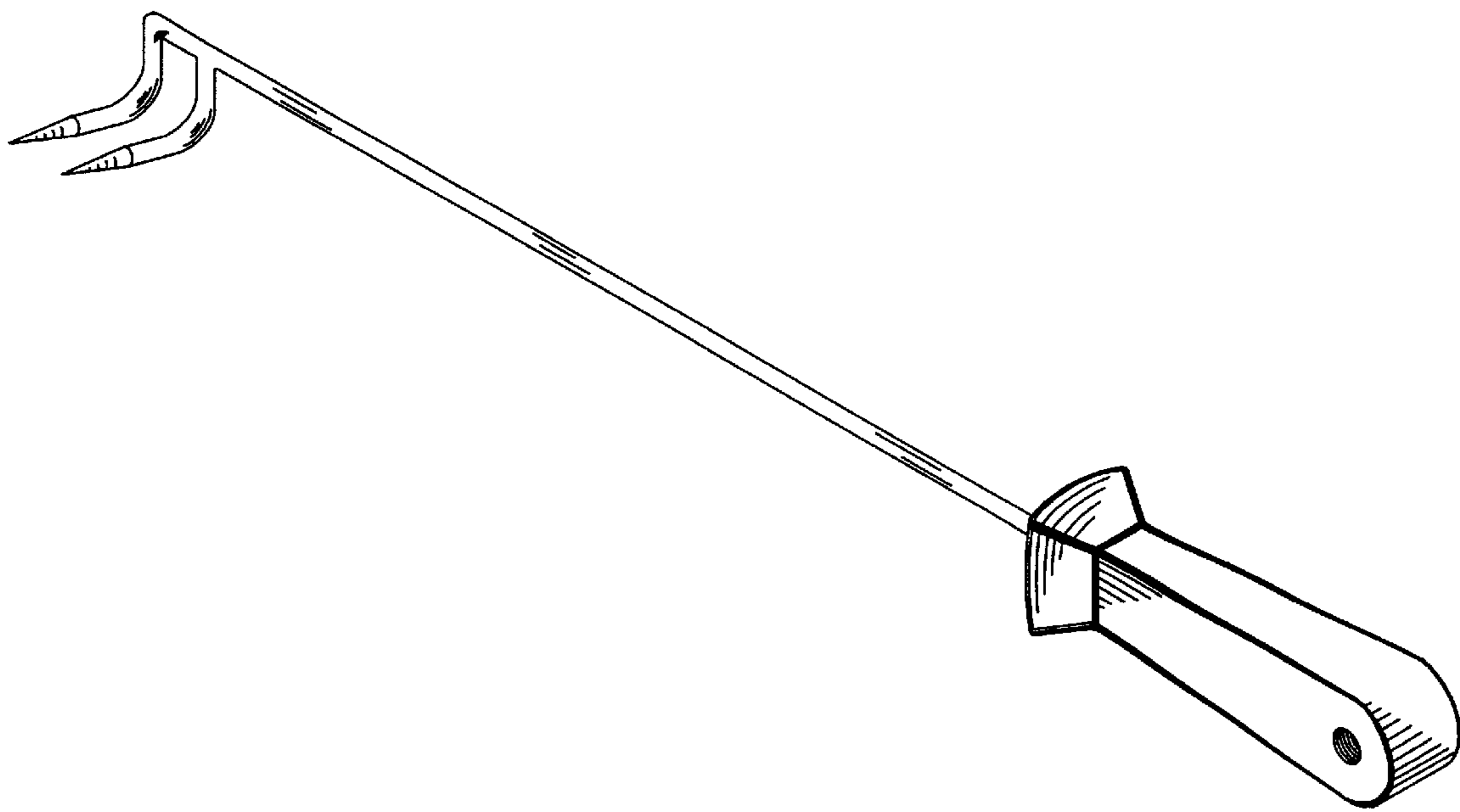


FIG. 1



FIG. 2

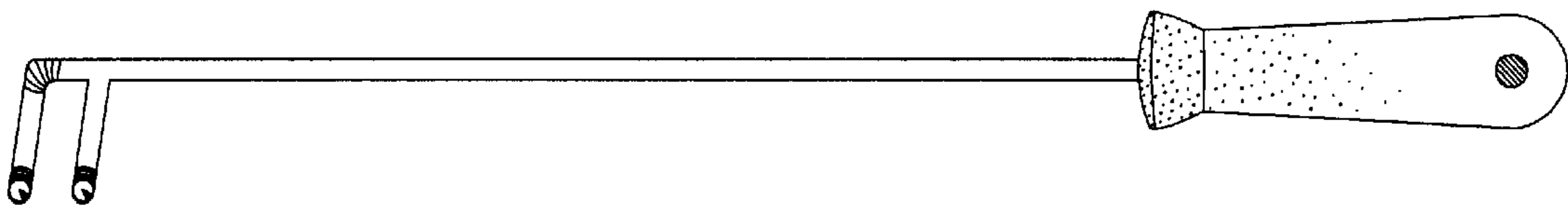


FIG. 3

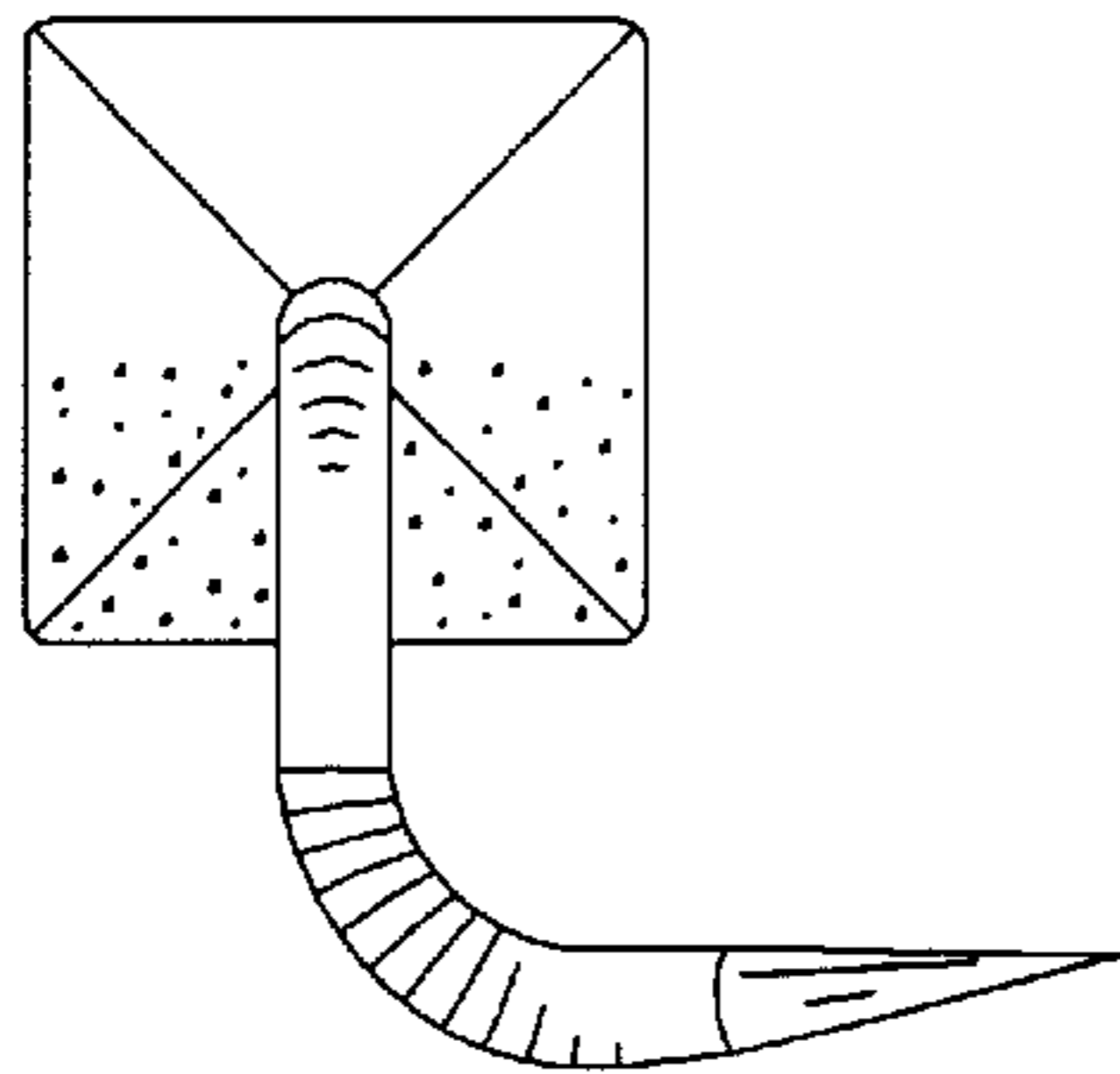


FIG. 4

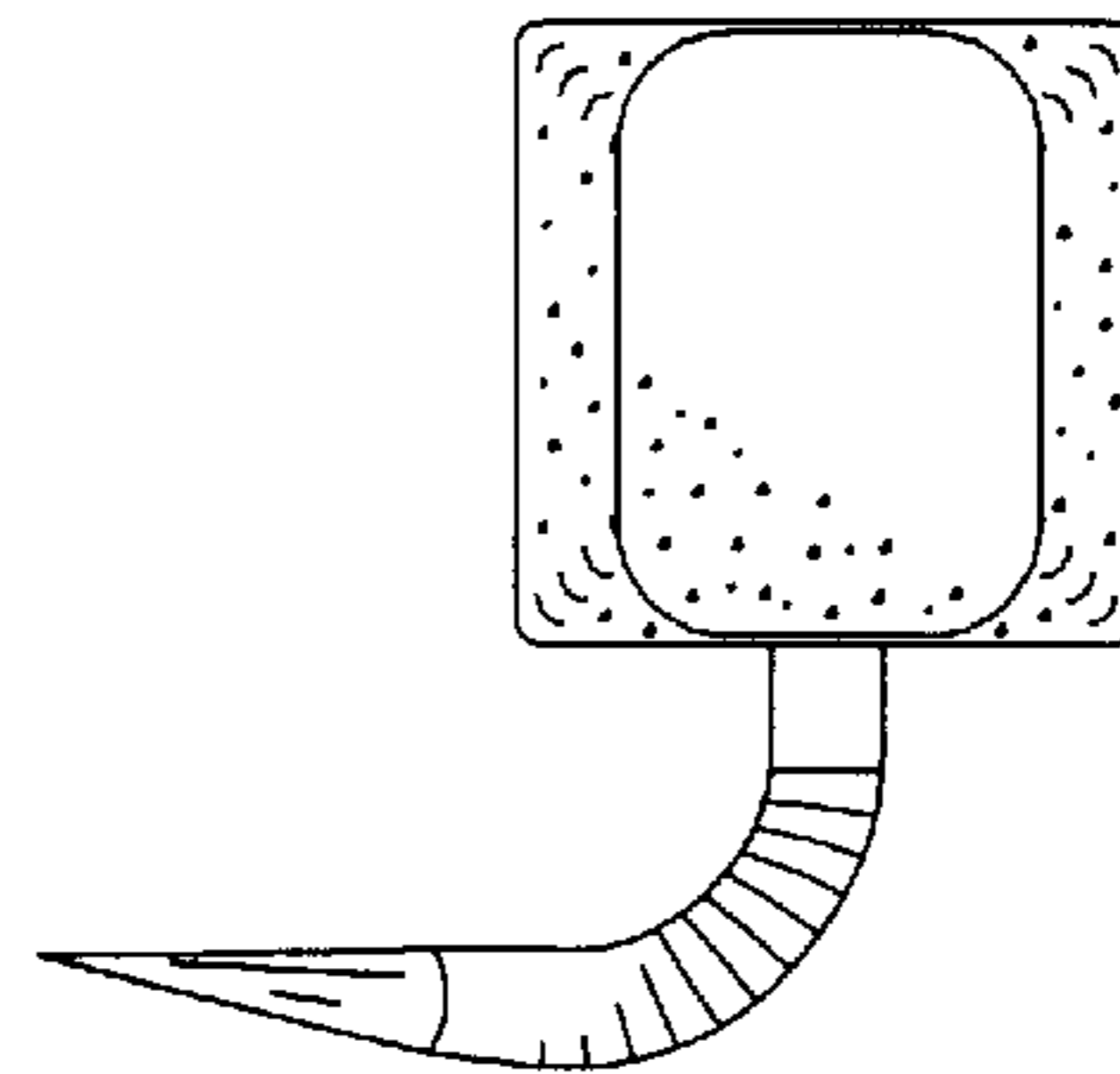


FIG. 5