



US00D540127S

(12) **United States Design Patent** (10) **Patent No.:** **US D540,127 S**
Ye et al. (45) **Date of Patent:** **** Apr. 10, 2007**

(54) **JUICE EXTRACTOR**
(75) Inventors: **Guoyao Ye**, Richmond, VA (US); **Mark K. Romandy**, Glen Allen, VA (US); **Martin P. Brady**, Richmond, VA (US); **Atle Larsen**, Richmond, VA (US)
(73) Assignee: **Hamilton Beach/Proctor-Silex, Inc.**, Glen Allen, VA (US)
(**) Term: **14 Years**
(21) Appl. No.: **29/255,337**
(22) Filed: **Mar. 7, 2006**
(51) **LOC (8) Cl.** **31-00**
(52) **U.S. Cl.** **D7/665**
(58) **Field of Classification Search** D7/665, D7/666, 373, 374, 381, 384; 99/501-513, 99/495, 499, 348, 357; 241/36, 37.5, 92, 241/100, 282.1
See application file for complete search history.

5,193,448 A 3/1993 Antonio
D343,097 S 1/1994 Cesari et al.
5,307,738 A 5/1994 Amstad
5,479,851 A 1/1996 McClean et al.
5,613,430 A 3/1997 Lee
RE35,789 E 5/1998 Amstad
D413,227 S 8/1999 Alonge et al.
6,058,833 A * 5/2000 Ling et al. 99/510
D439,808 S * 4/2001 McClean et al. D7/665
6,397,736 B1 6/2002 Tseng et al.
6,412,404 B1 * 7/2002 Hsu 99/495
D469,302 S 1/2003 Li
6,543,340 B1 * 4/2003 Fouquet 99/511
D475,582 S 6/2003 To
6,609,455 B2 * 8/2003 Fouquet 99/511
D489,949 S 5/2004 Chung
2006/0075907 A1 4/2006 Hsu

* cited by examiner

Primary Examiner—Terry A. Wallace
(74) *Attorney, Agent, or Firm*—Akin Gump Strauss Hauer & Feld, LLP

(56) **References Cited**
U.S. PATENT DOCUMENTS

528,735 A 11/1894 Naylor, Jr.
2,109,048 A 2/1938 Lorenzen
2,273,093 A 2/1942 Drachenberg
2,302,138 A 11/1942 Nicholson
2,311,379 A 2/1943 Gillanders
2,325,779 A 8/1943 Kraber
2,481,010 A 9/1949 Gundelfinger
2,496,780 A 2/1950 De Nardis et al.
2,527,695 A 10/1950 Bennett
2,840,130 A 6/1958 Schwarz
2,971,550 A 2/1961 Henzirohs
3,209,456 A 10/1965 Lozach
4,183,293 A 1/1980 Arao et al.
4,345,517 A 8/1982 Arao et al.
4,397,427 A 8/1983 Howard
D287,327 S 12/1986 Cavalli
4,681,031 A 7/1987 Austad
4,694,528 A 9/1987 Comer et al.
4,700,621 A 10/1987 Elger
D309,083 S 7/1990 Kahlcke
D318,402 S 7/1991 Barrault
5,031,522 A 7/1991 Brixel et al.
D333,412 S 2/1993 Levin

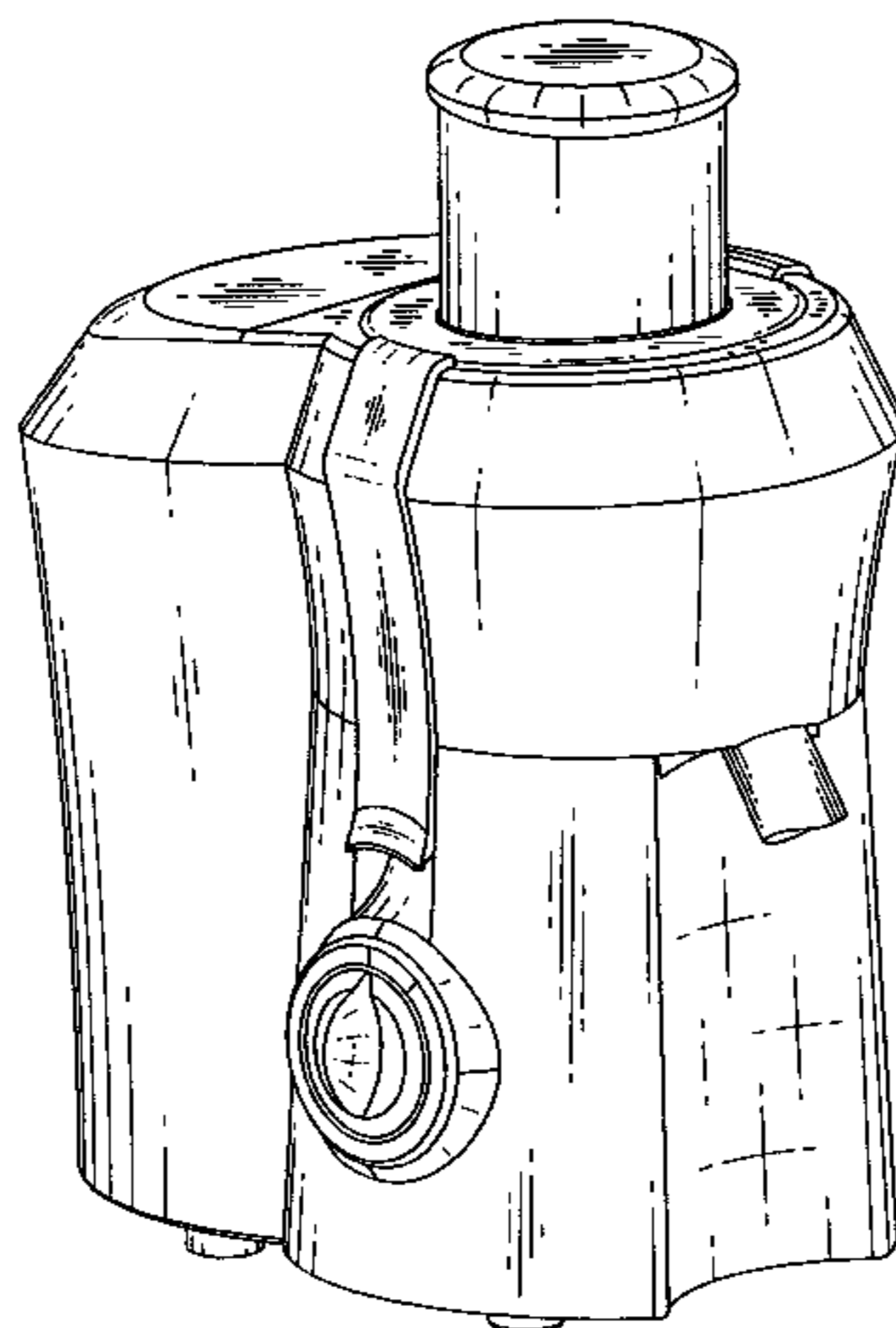
(57) **CLAIM**

The ornamental design for a juice extractor, as shown and described.

DESCRIPTION

FIG. 1 is a front right perspective view of a first embodiment of a juice extractor in accordance with our new design; FIG. 2 is a front elevational view thereof; FIG. 3 is a right-side elevational view thereof; FIG. 4 is a rear elevational view thereof; FIG. 5 is a left-side elevational view thereof; FIG. 6 is a top plan view thereof; FIG. 7 is a bottom plan view thereof; FIG. 8 is a front right perspective view of a second embodiment of a juice extractor in accordance with our new design; FIG. 9 is a front elevational view thereof; FIG. 10 is a right-side elevational view thereof; FIG. 11 is a rear elevational view thereof; FIG. 12 is a left-side elevational view thereof; FIG. 13 is a top plan view thereof; and, FIG. 14 is a bottom plan view thereof.

1 Claim, 12 Drawing Sheets



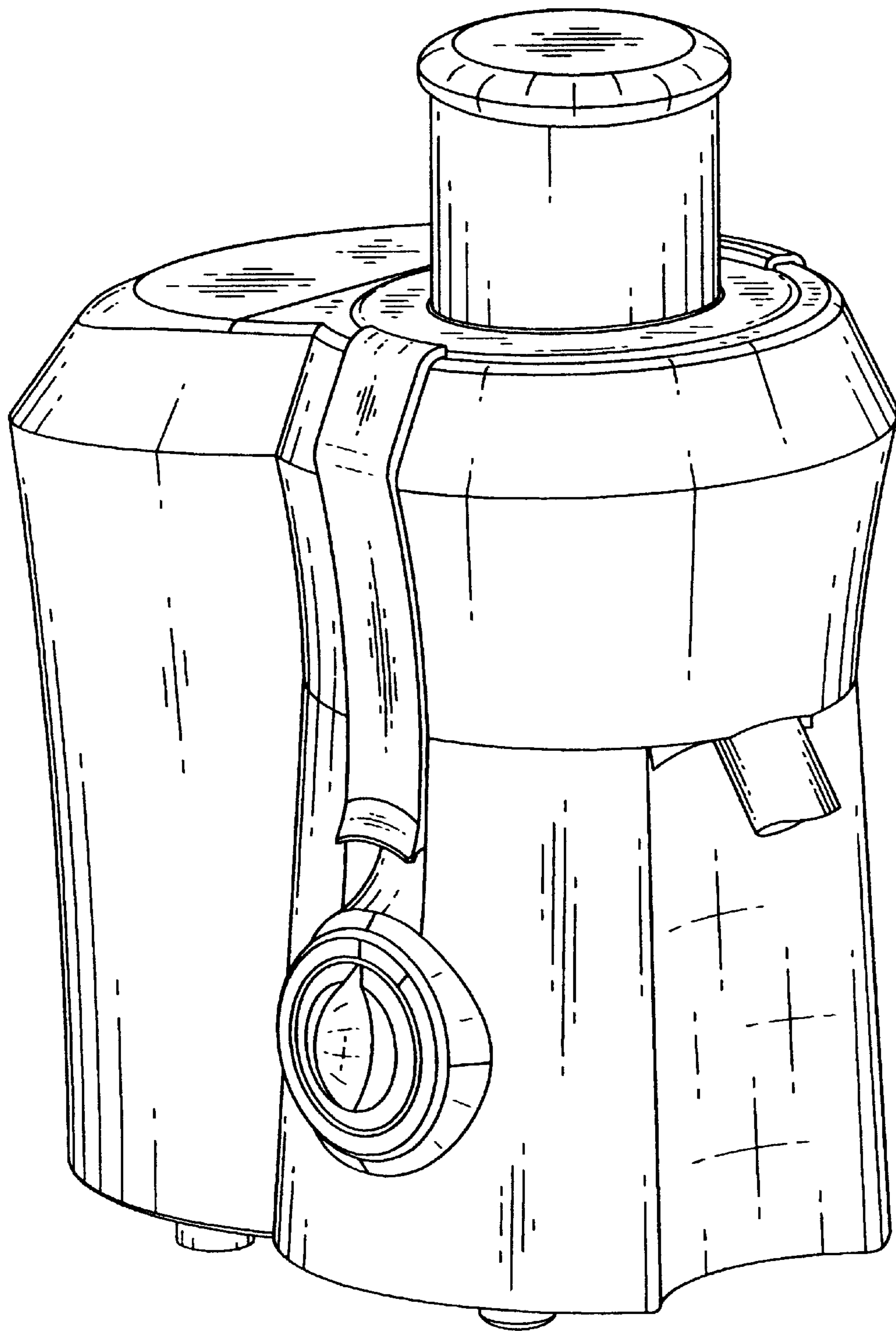


Fig. 1

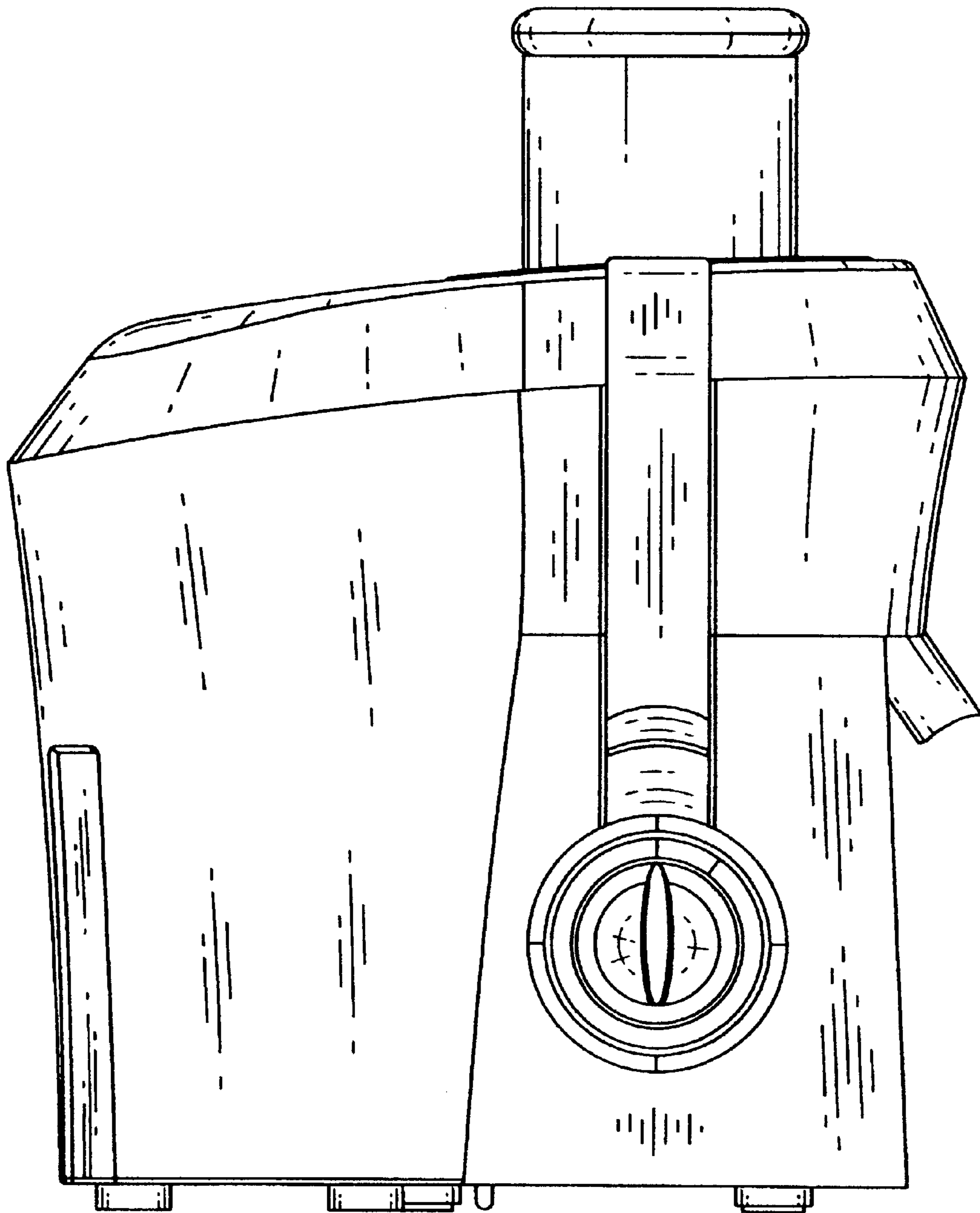


Fig. 2

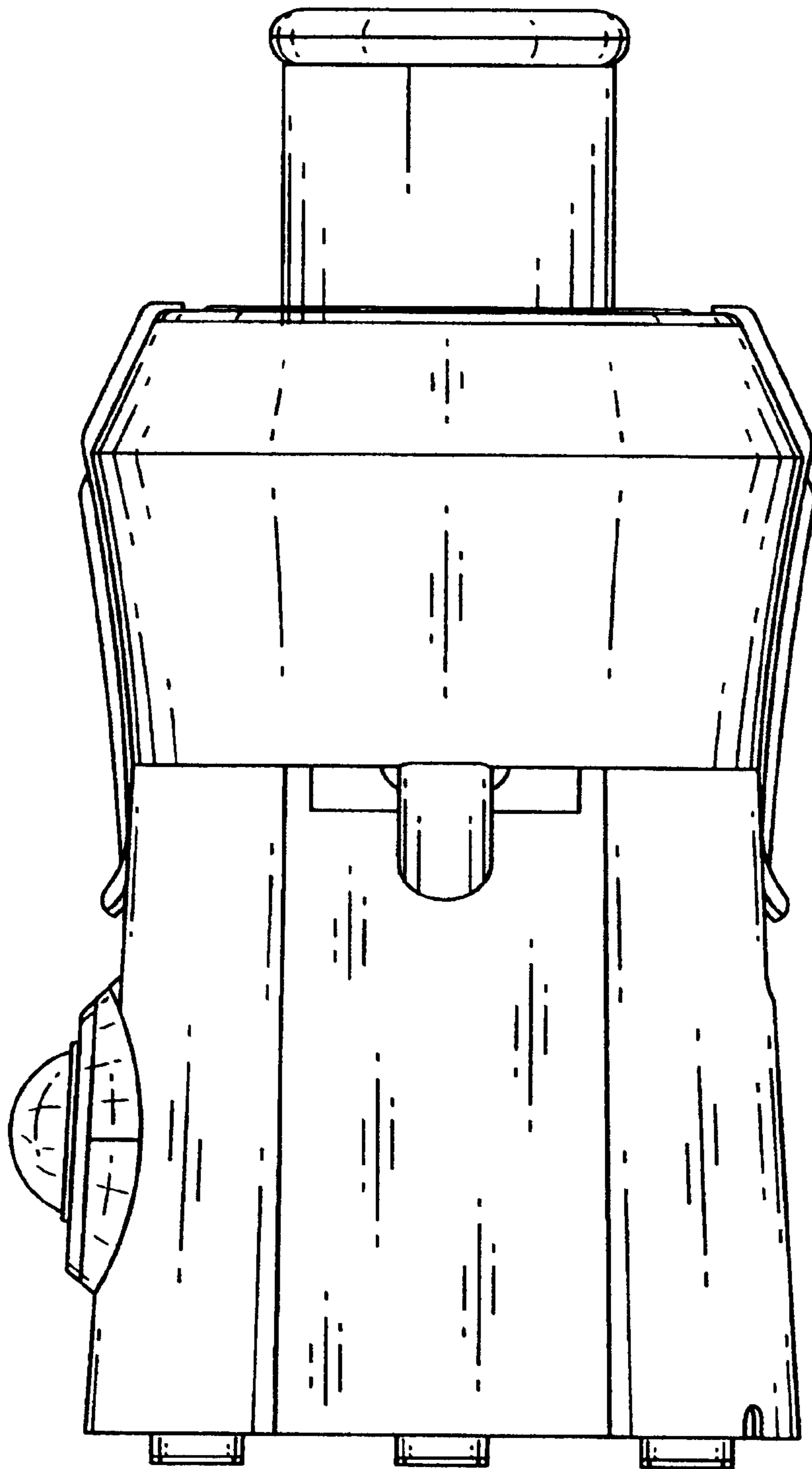


Fig. 3

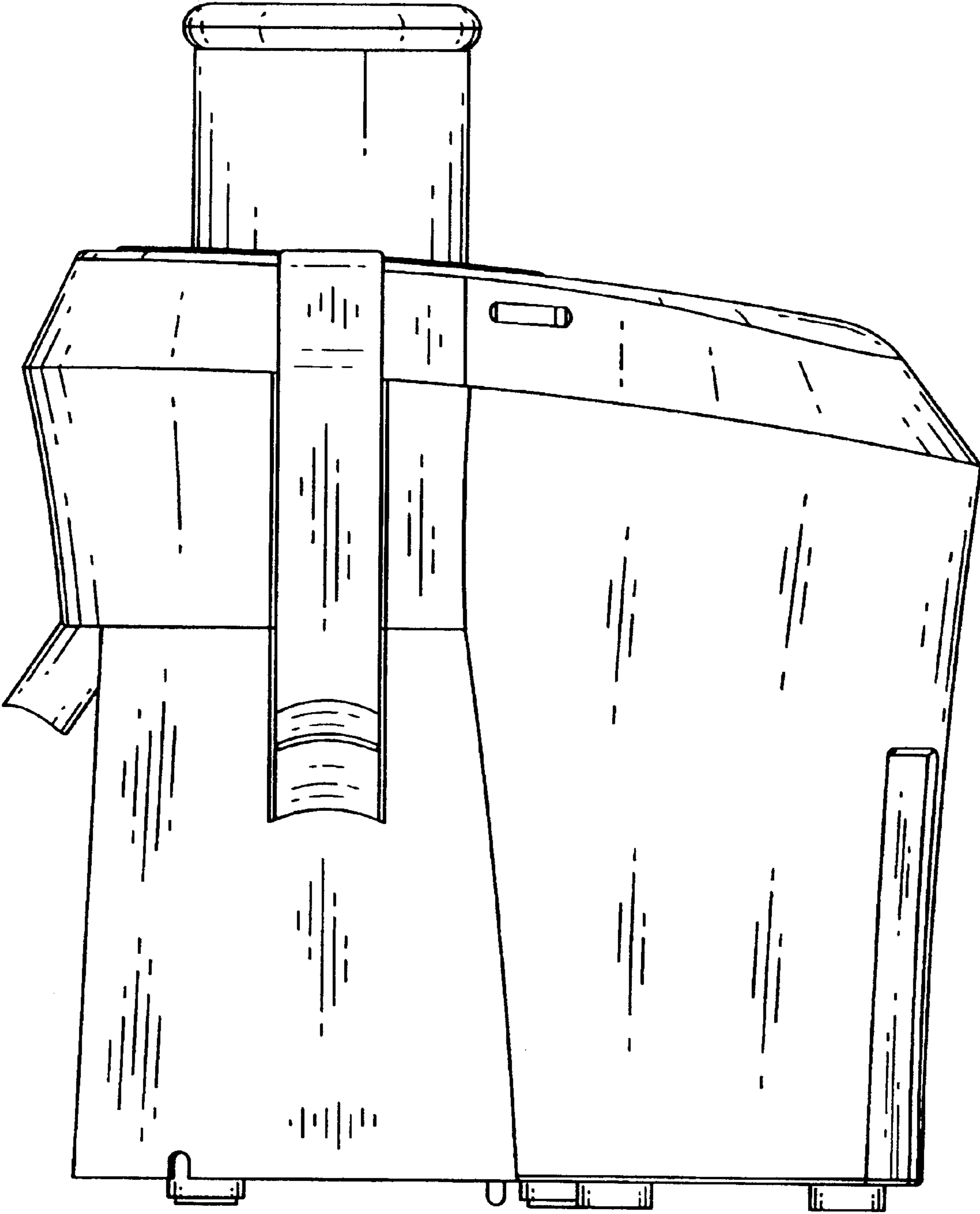


Fig. 4

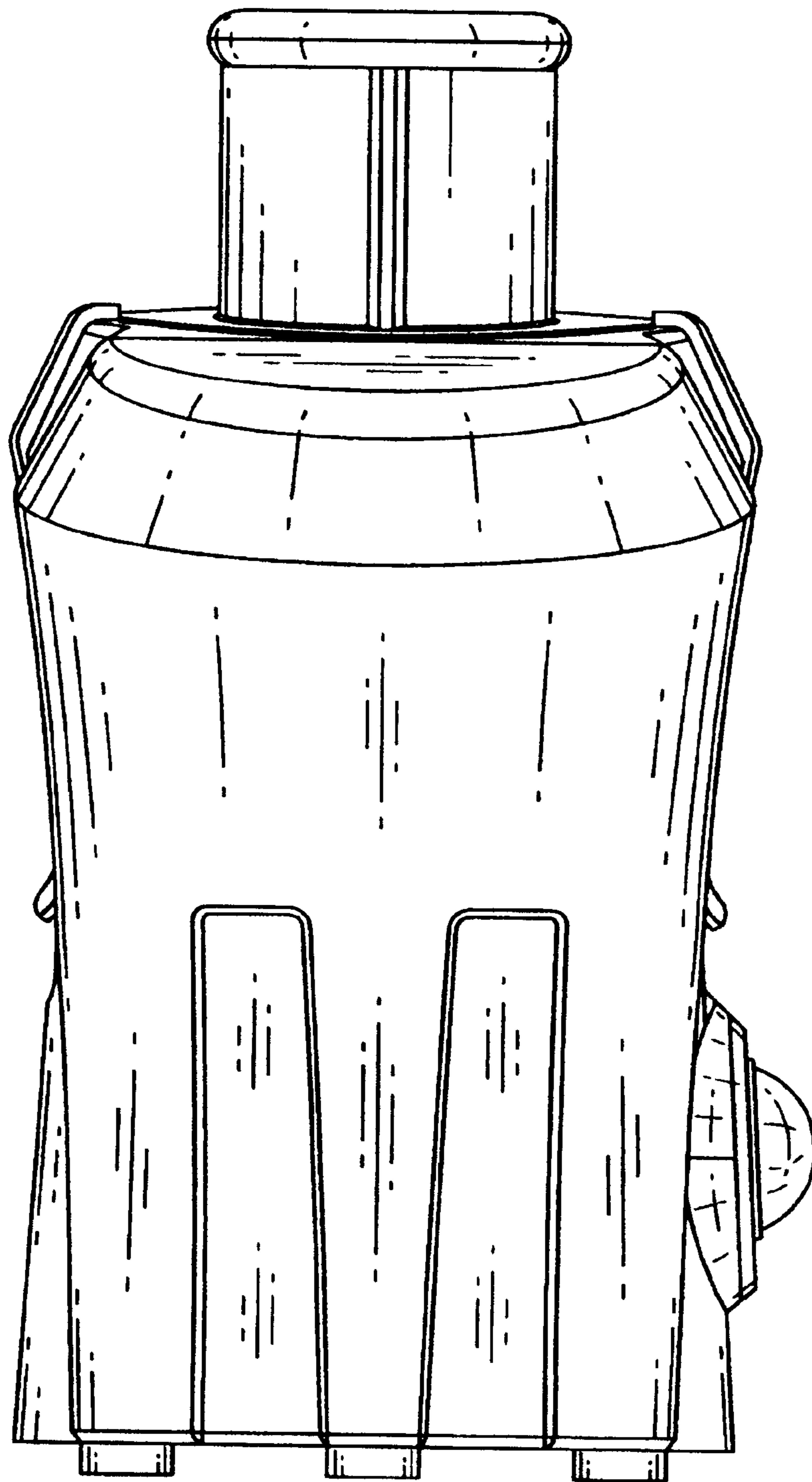


Fig. 5

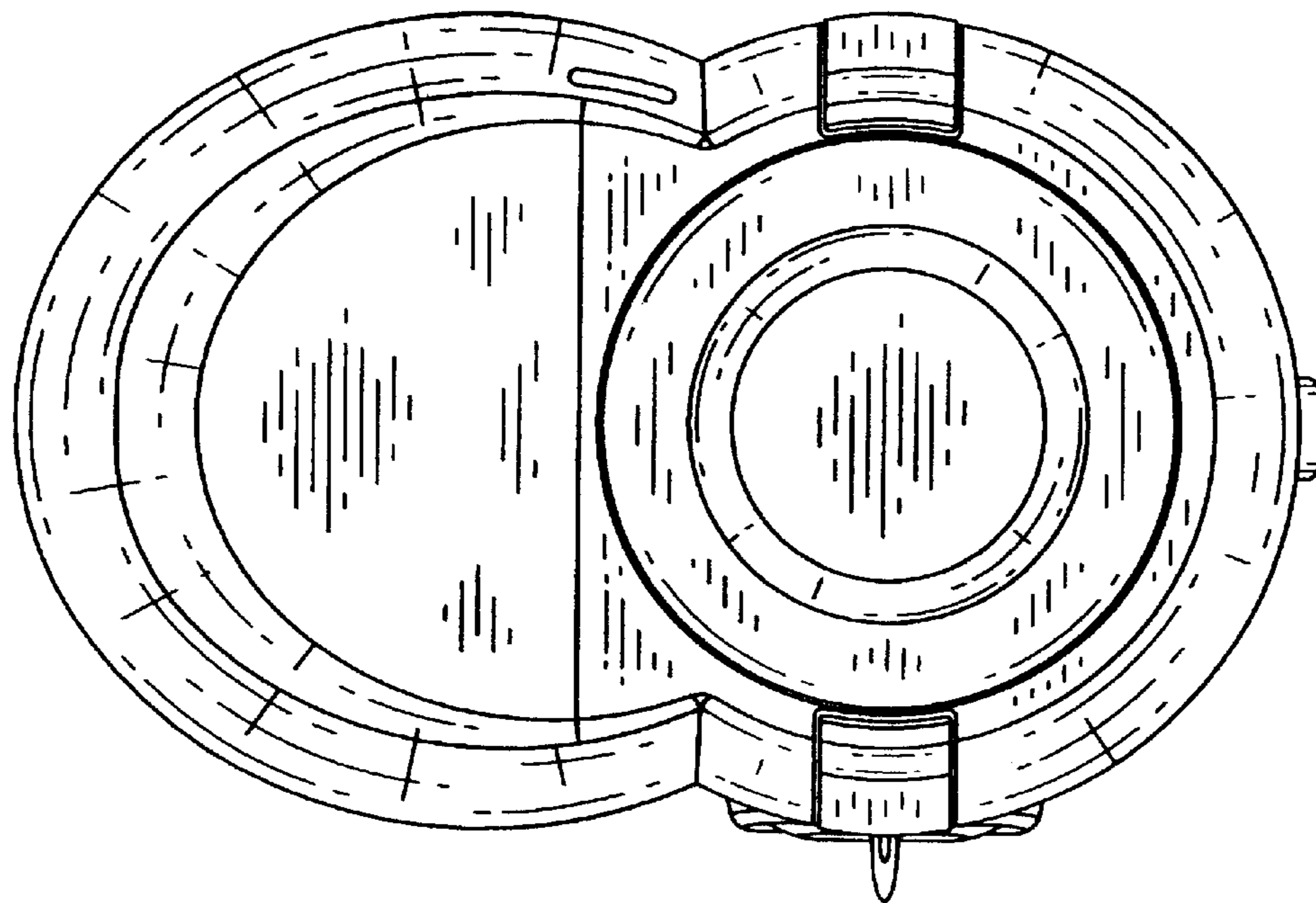


Fig. 6

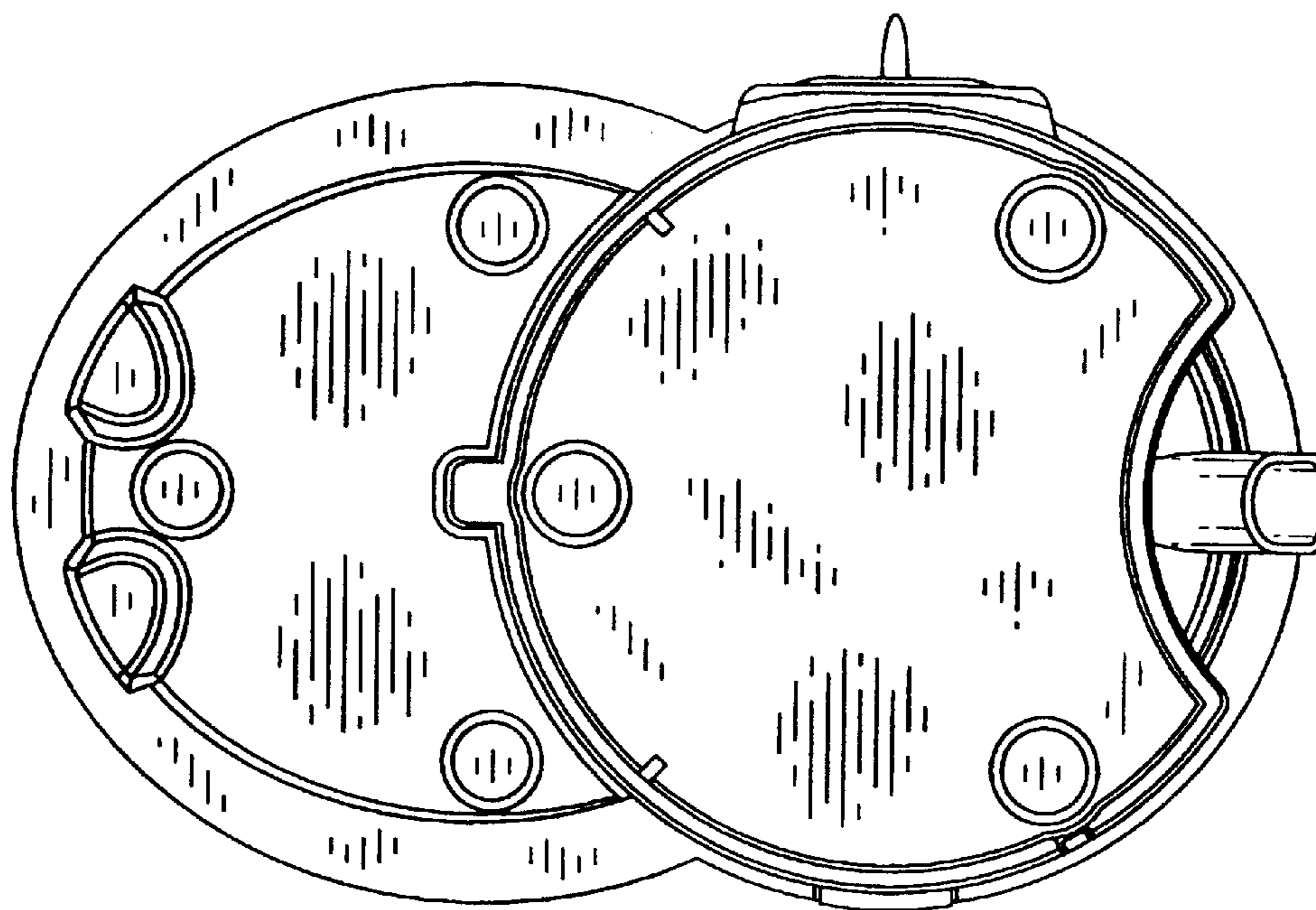


Fig. 7

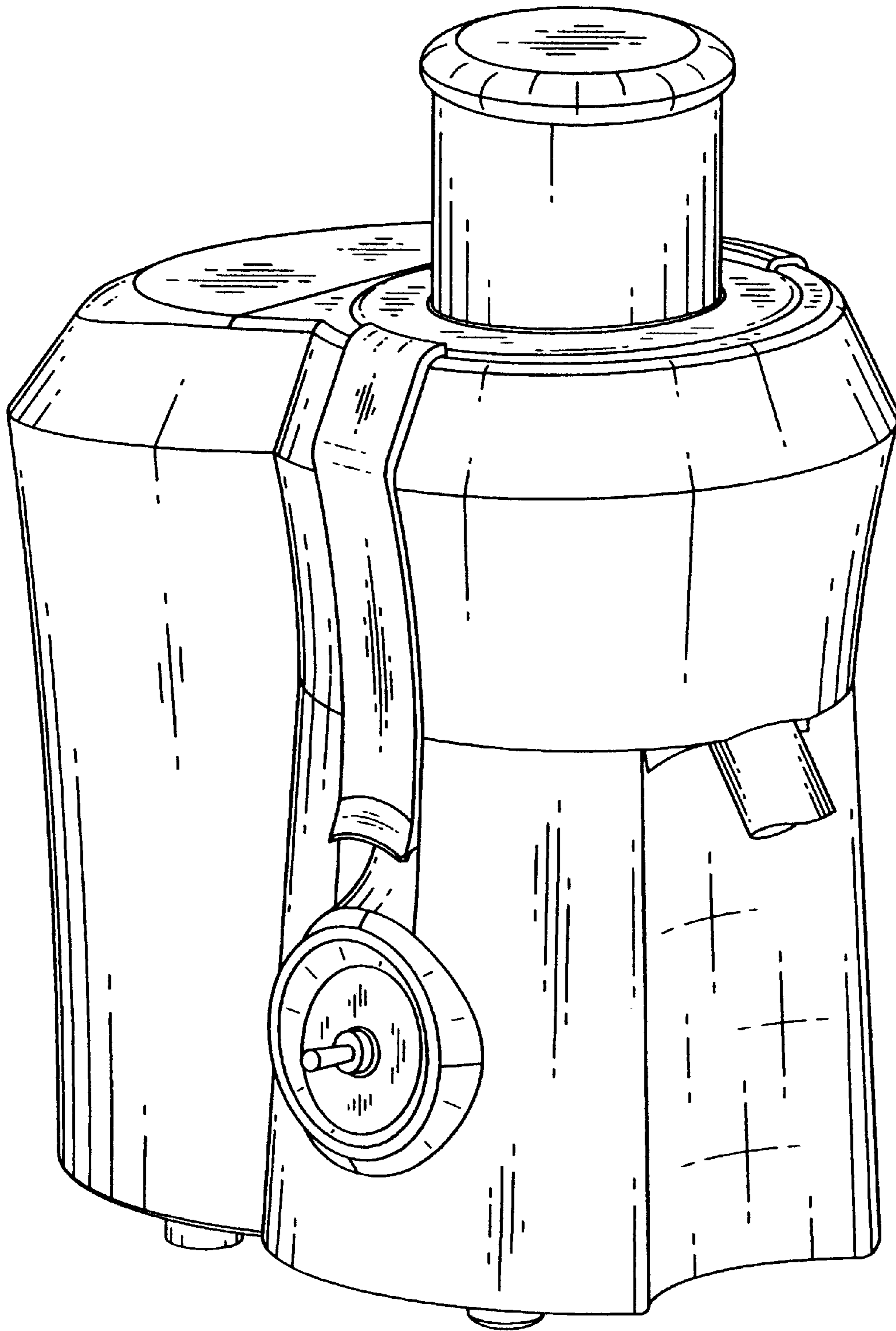


Fig. 8

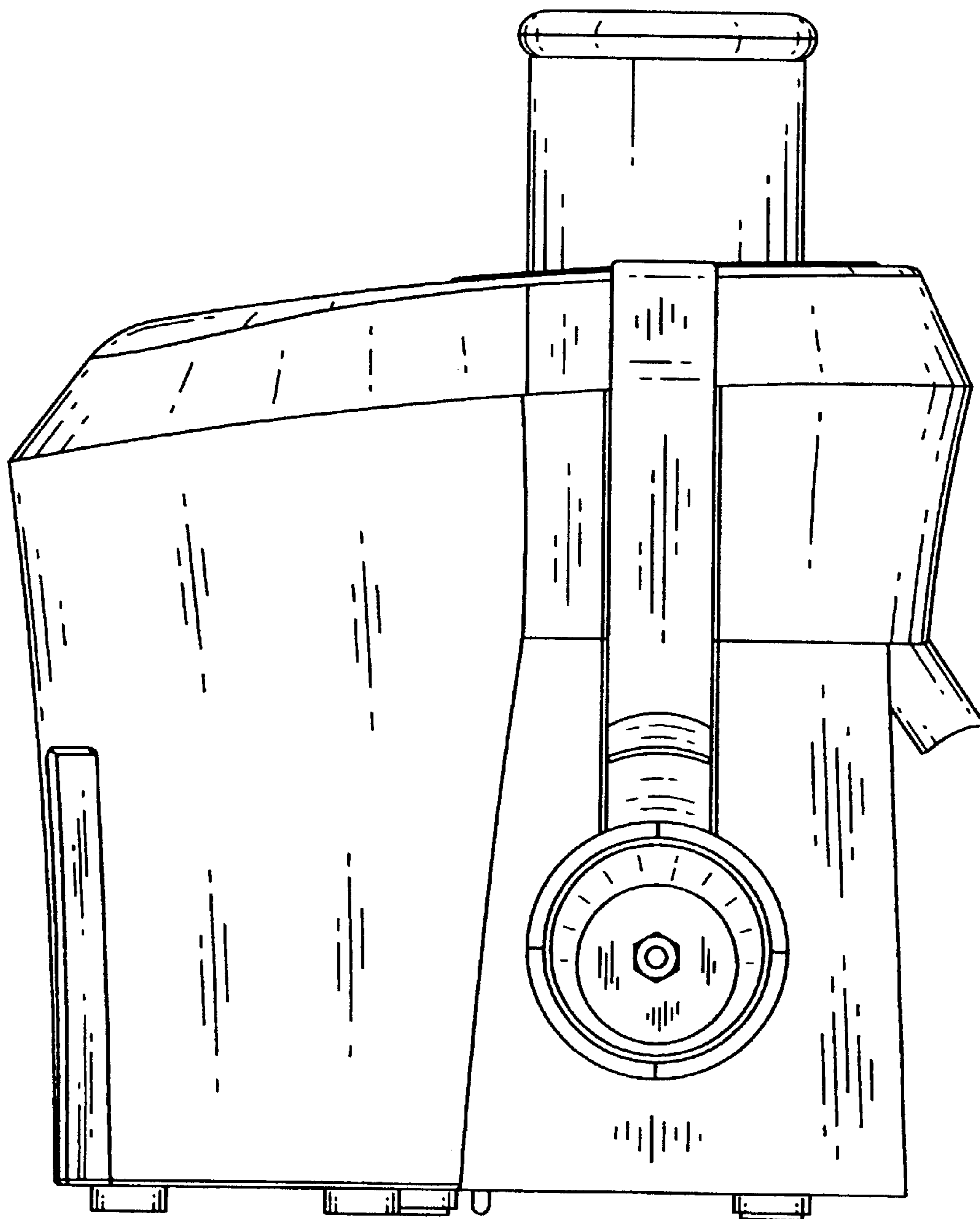


Fig. 9

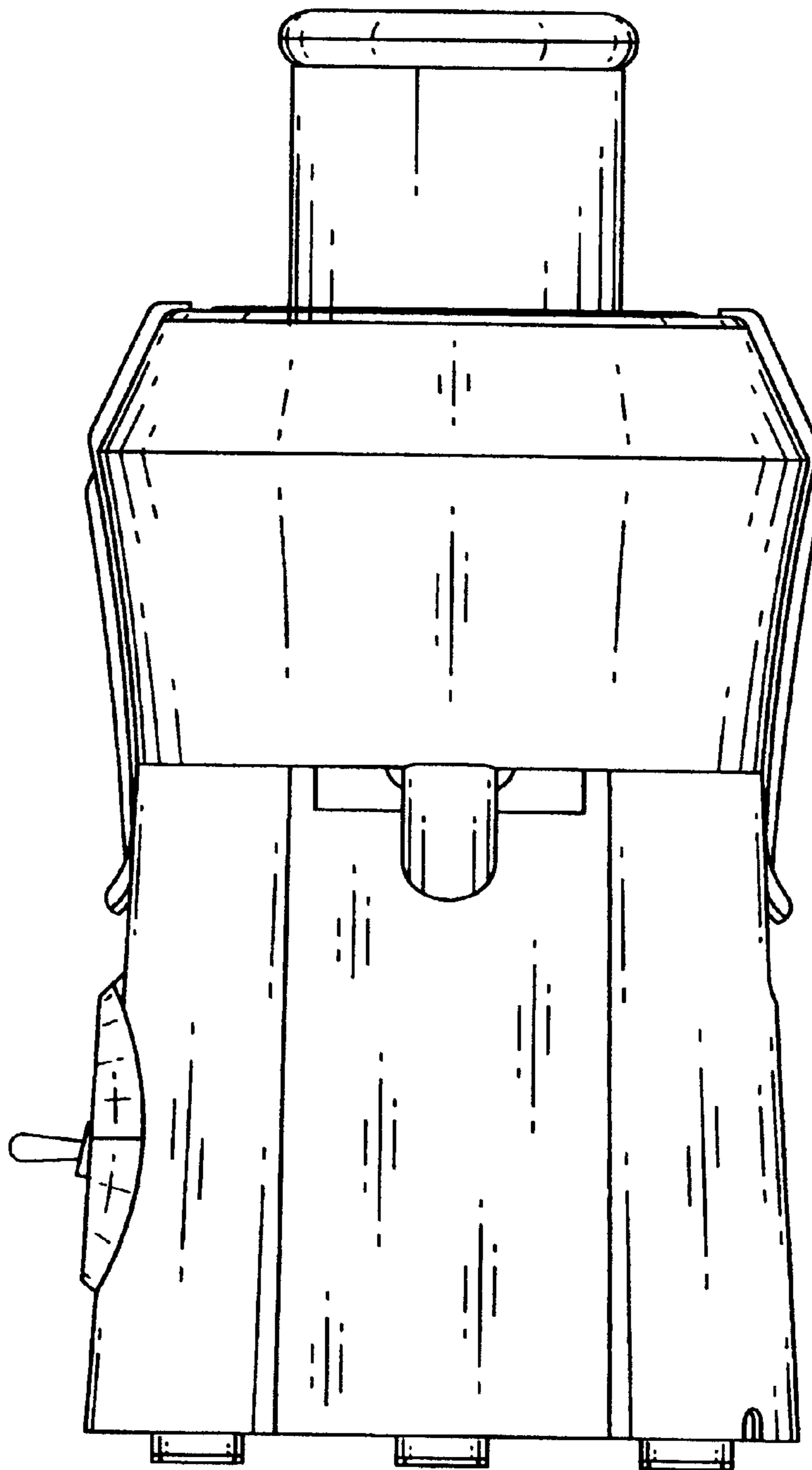


Fig. 10

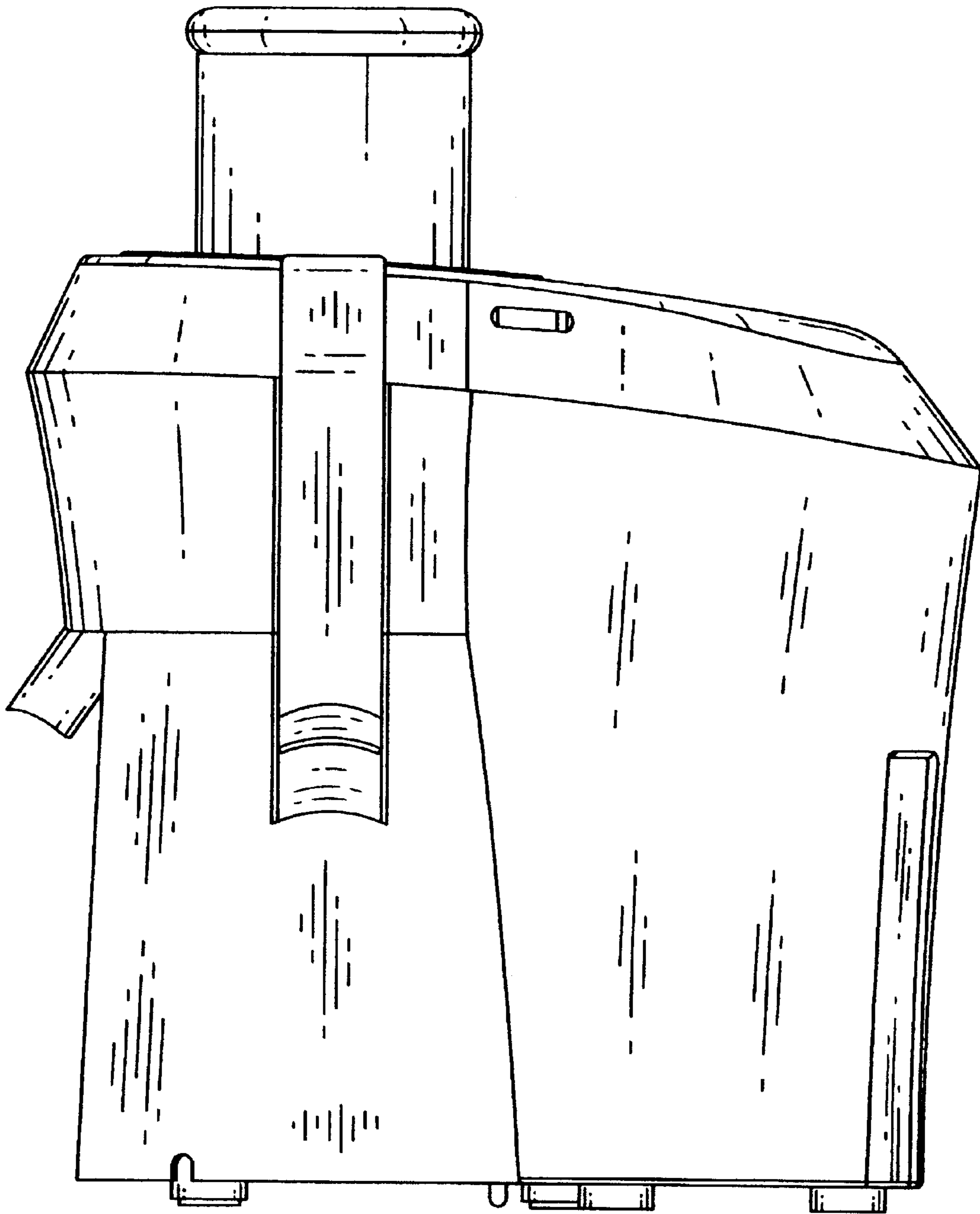


Fig. 11

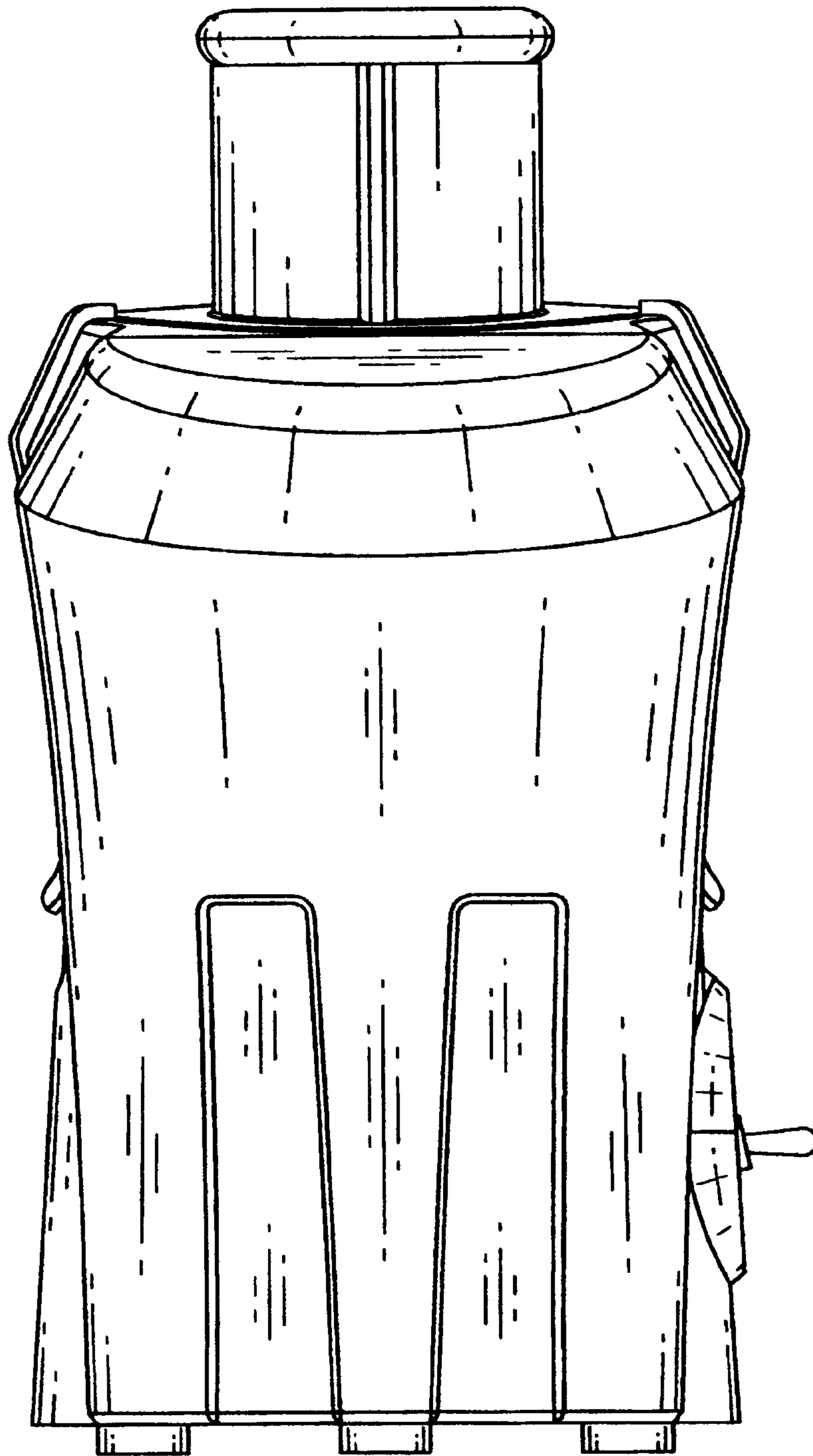


Fig. 12

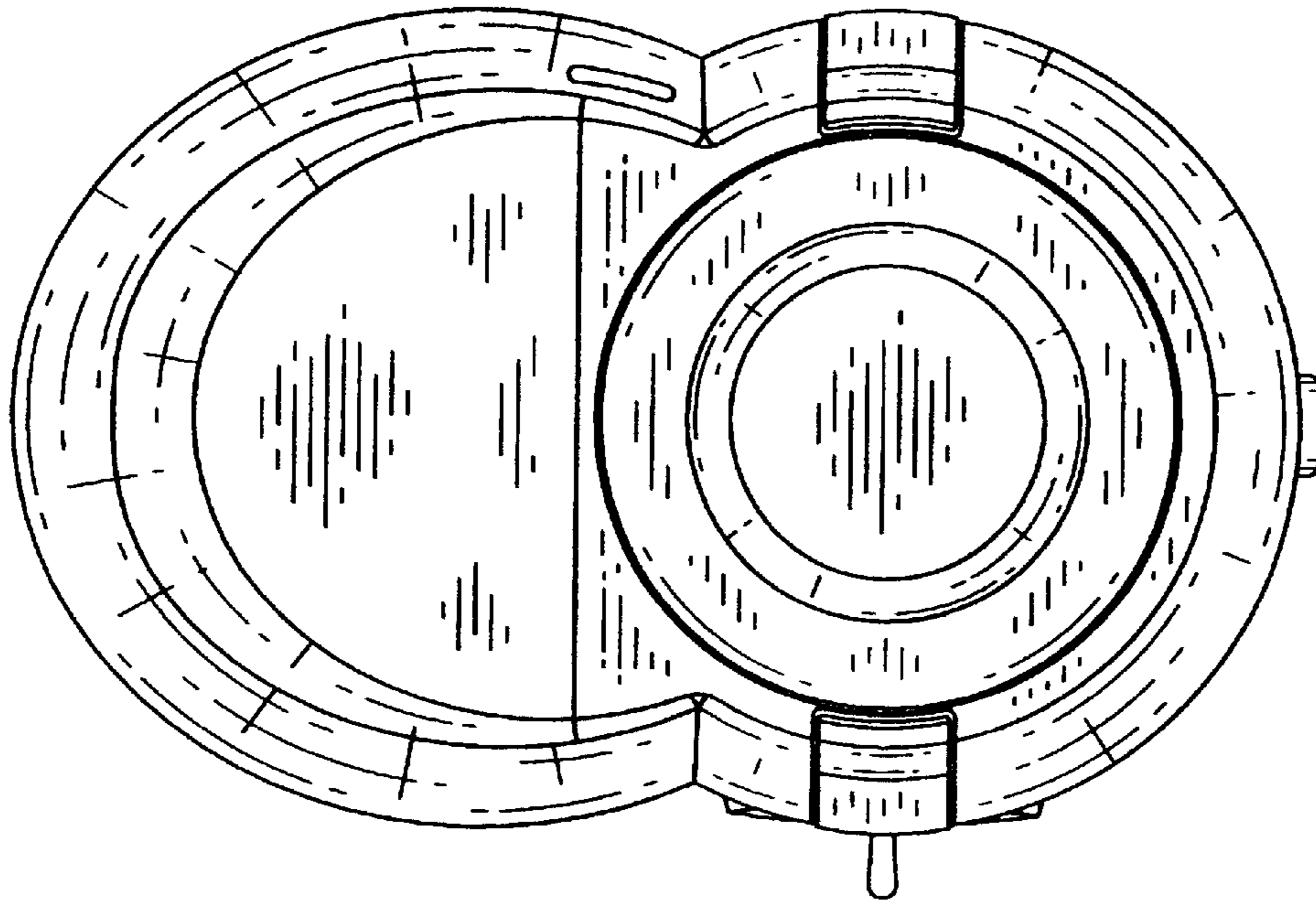


Fig. 13

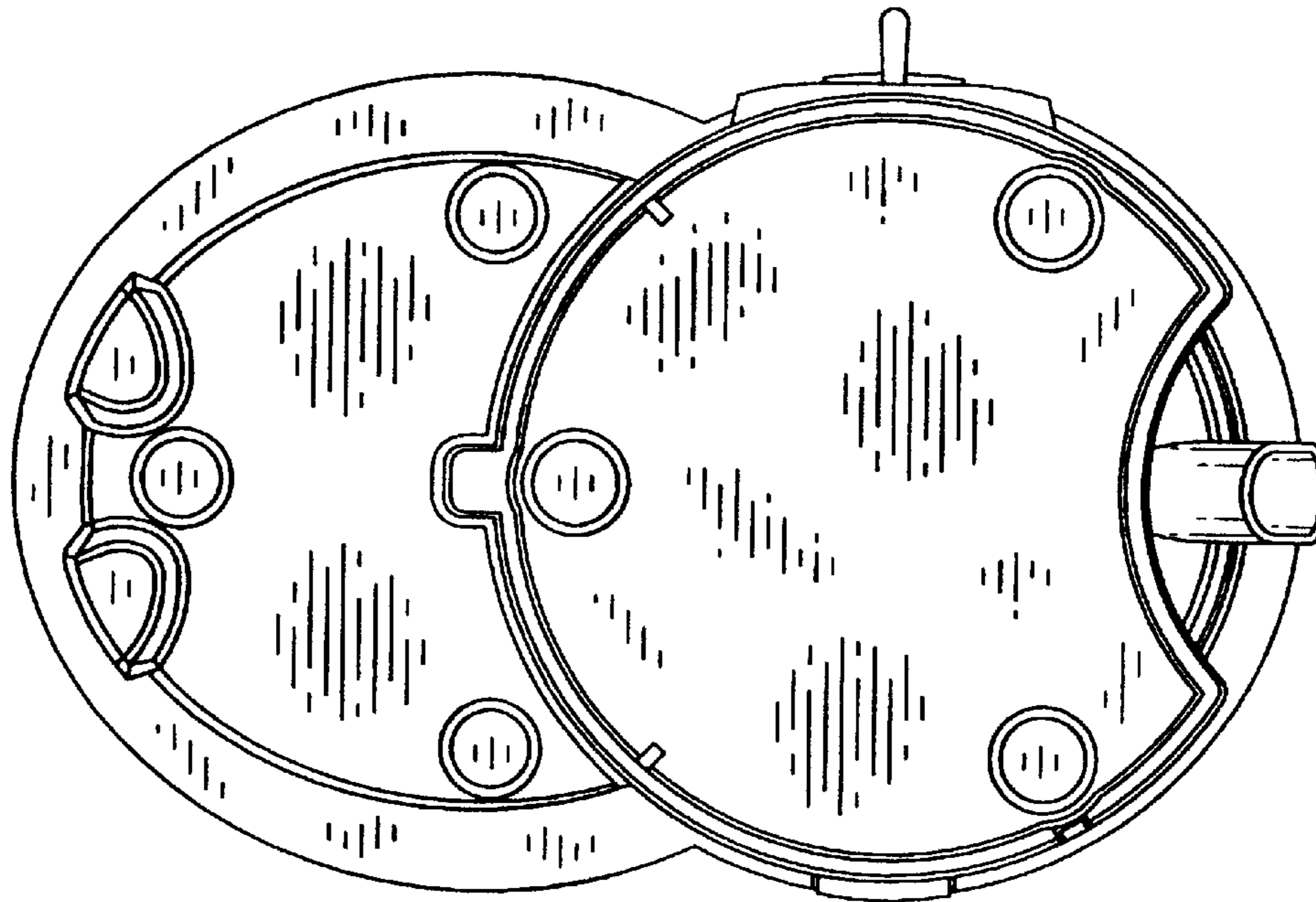


Fig. 14