



US00D540124S

(12) **United States Design Patent**  
**Ross**

(10) **Patent No.:** **US D540,124 S**

(45) **Date of Patent:** **\*\* Apr. 10, 2007**

(54) **THERMOS WITH IMPROVED BEVERAGE CONSUMPTION SECTION**

D508,186 S \* 8/2005 Edelstein et al. .... D7/510

\* cited by examiner

(76) Inventor: **Gary Ross**, 167 Lambert St., Oxnard, CA (US) 93030

*Primary Examiner*—Terry A. Wallace

(74) *Attorney, Agent, or Firm*—Thomas I. Rozsa

(\*\*) Term: **14 Years**

(57) **CLAIM**

(21) Appl. No.: **29/254,960**

The ornamental design for a thermos with improved beverage consumption section, as shown and described.

(22) Filed: **Mar. 1, 2006**

**DESCRIPTION**

(51) **LOC (8) Cl.** ..... **07-01**

(52) **U.S. Cl.** ..... **D7/608; D7/509**

(58) **Field of Classification Search** ..... D7/605–608, D7/509–511; 215/6, 12.1, 12.2, 13.1, 386; 220/592.27, 592.16, 592.2, 915.1, 915.2; D9/500–503, 549, 559

See application file for complete search history.

FIG. 1 is a perspective view of a preferred embodiment of the thermos with improved beverage consumption section, showing my design.

FIG. 2 is a front elevational view, the rear elevational view being a mirror image;

FIG. 3 is a top plan view;

FIG. 4 is a bottom plan view;

FIG. 5 is a left side elevational view with the right side being a mirror image; and,

FIG. 6 is a perspective view with the sealing cap shown attached.

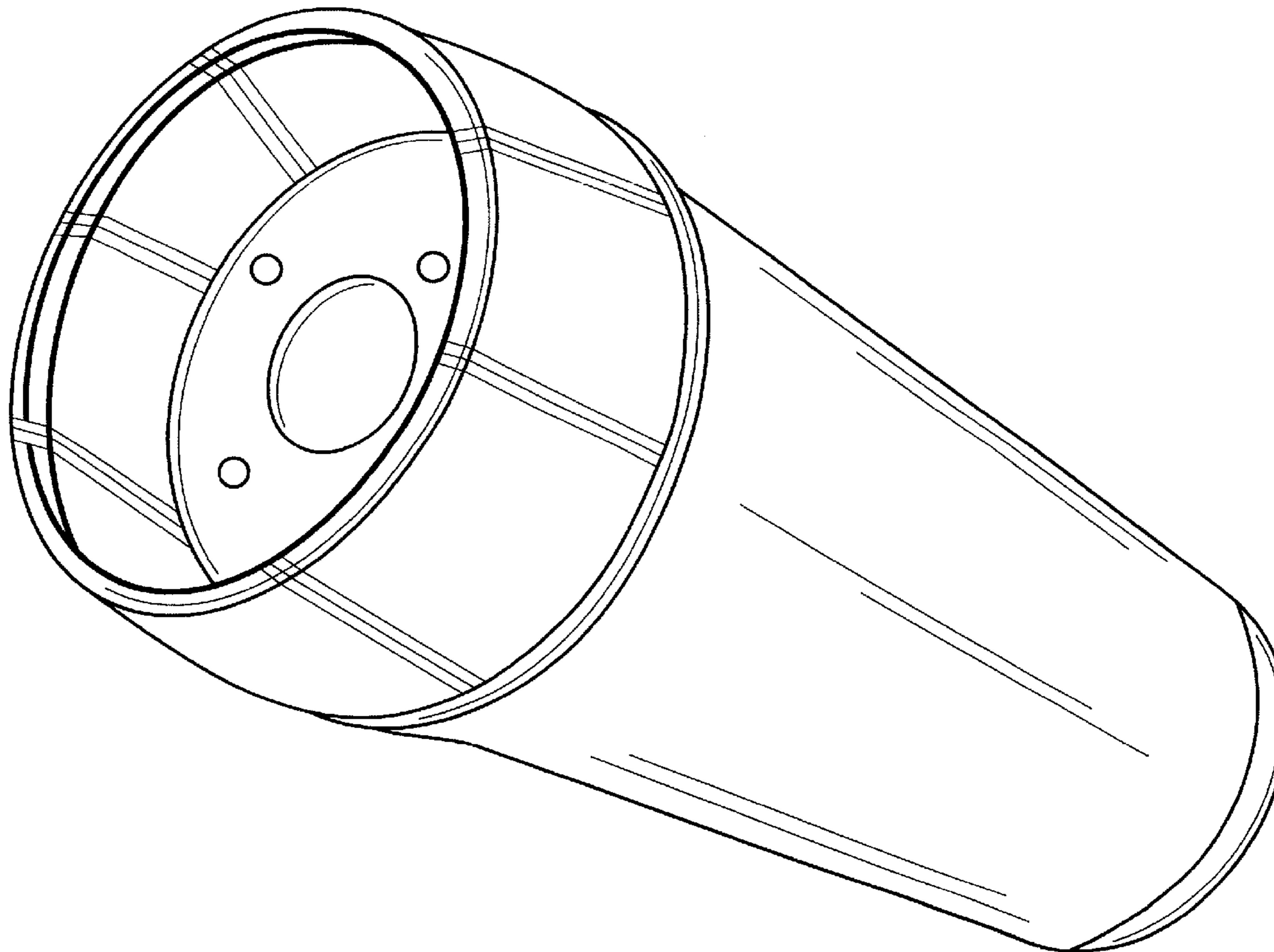
The sealing cap is shown removed in FIGS. 1–5 for clarity of illustration.

(56) **References Cited**

U.S. PATENT DOCUMENTS

3,076,575 A \* 2/1963 Leslie-Smith ..... 215/12.1  
D371,304 S \* 7/1996 Onneweer ..... D9/503  
D417,589 S \* 12/1999 Parker ..... D7/510  
D485,123 S \* 1/2004 Gullickson et al. .... D7/510

**1 Claim, 5 Drawing Sheets**



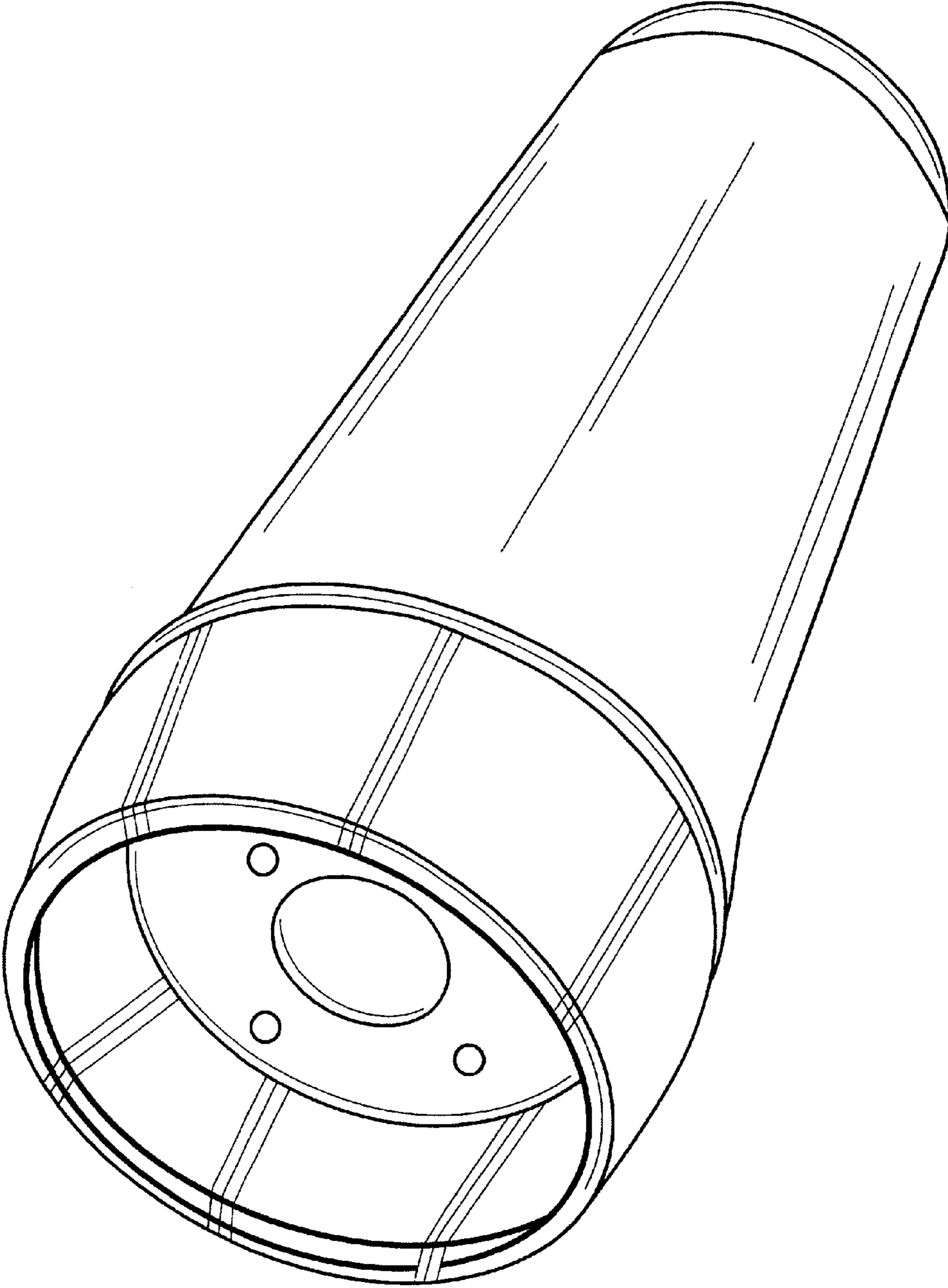


Fig. 1

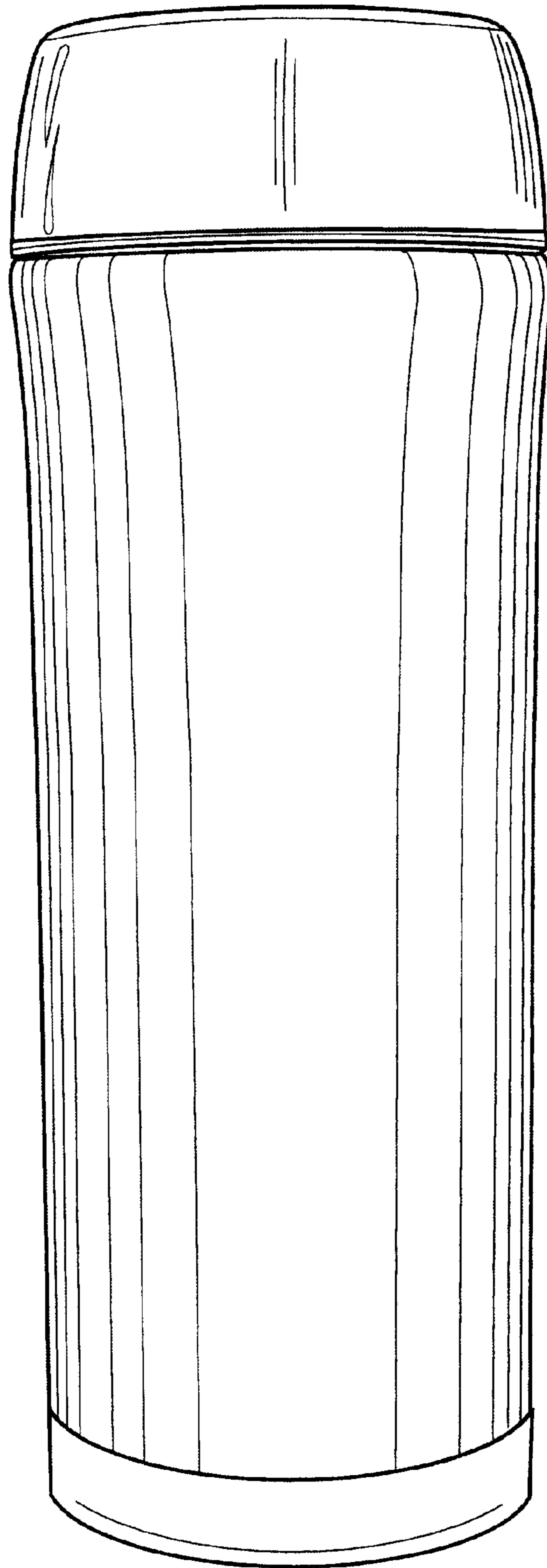


Fig. 2

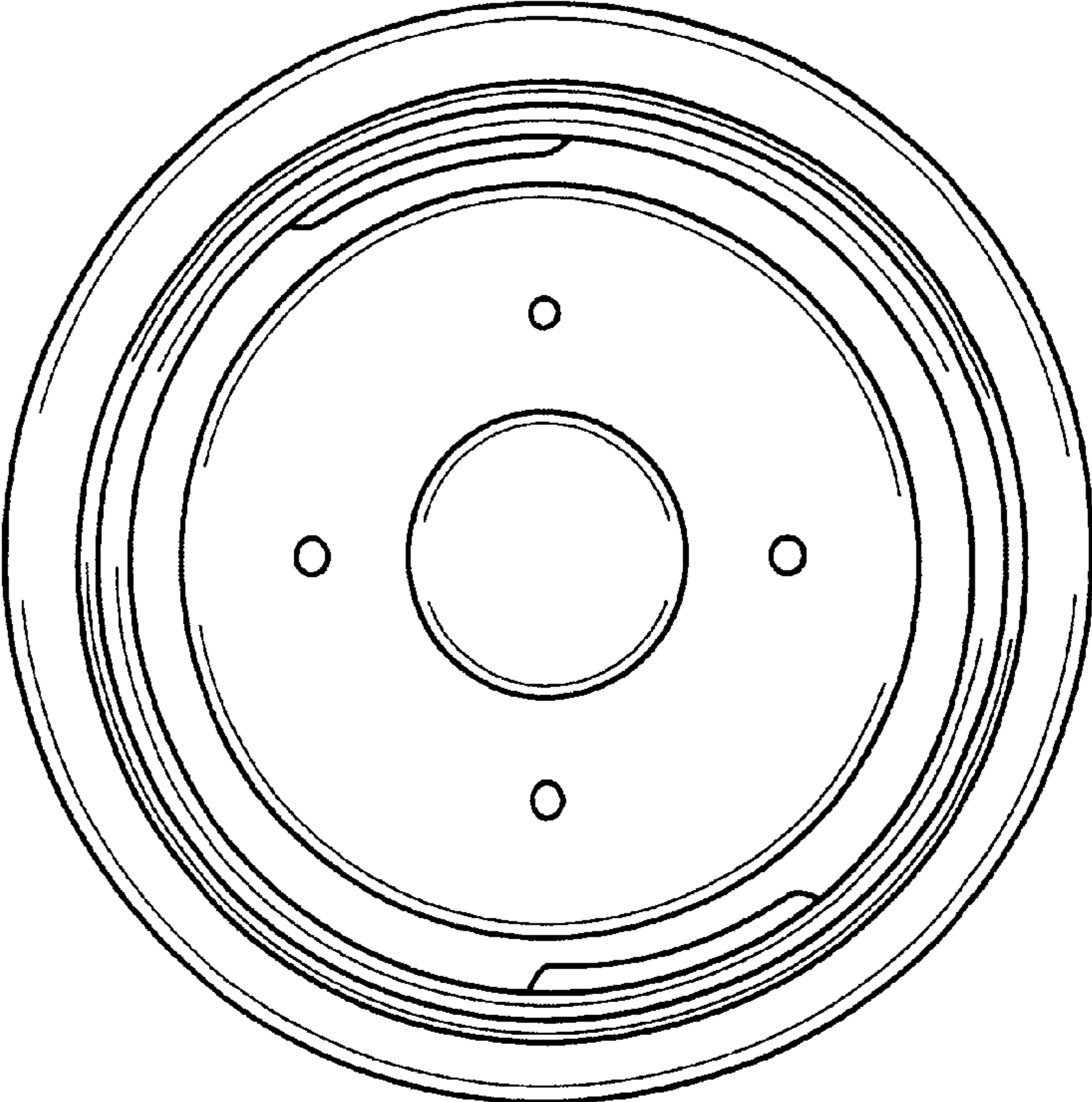


Fig. 3

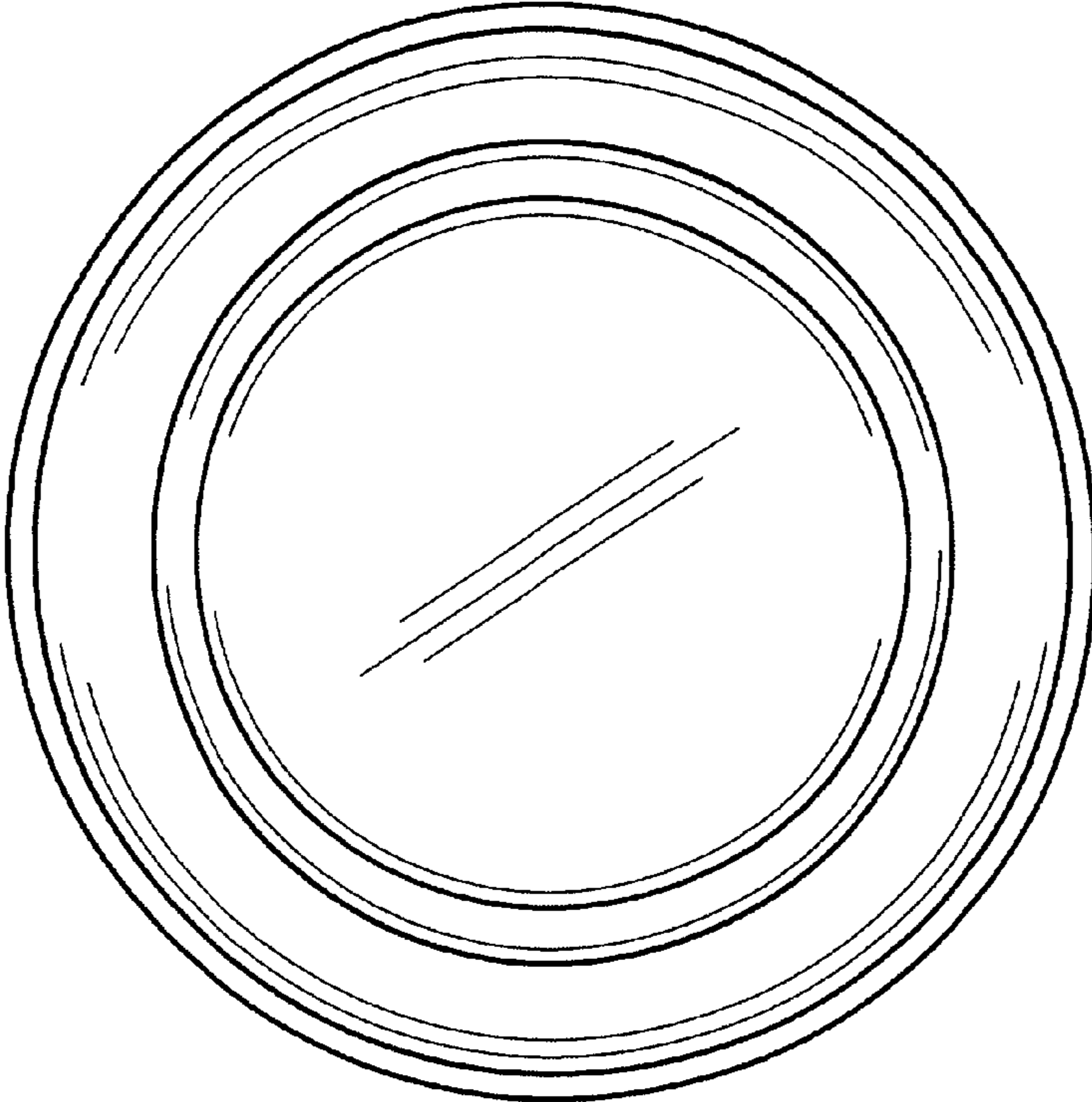


Fig. 4

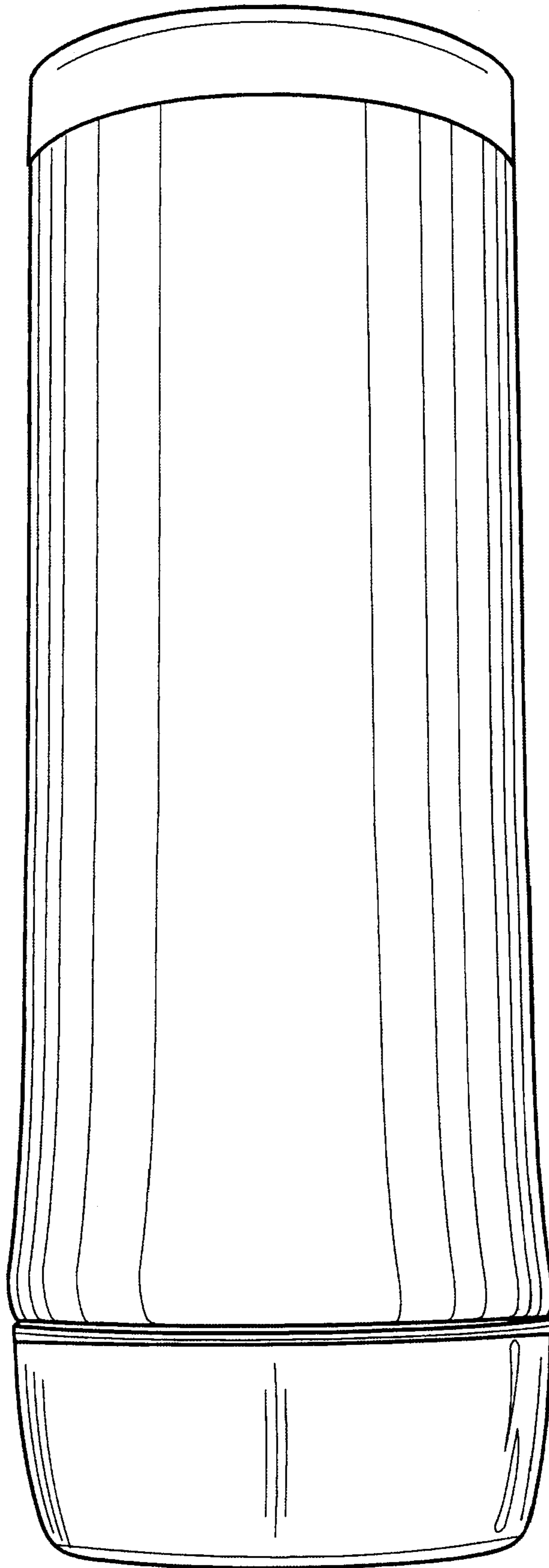


Fig. 5

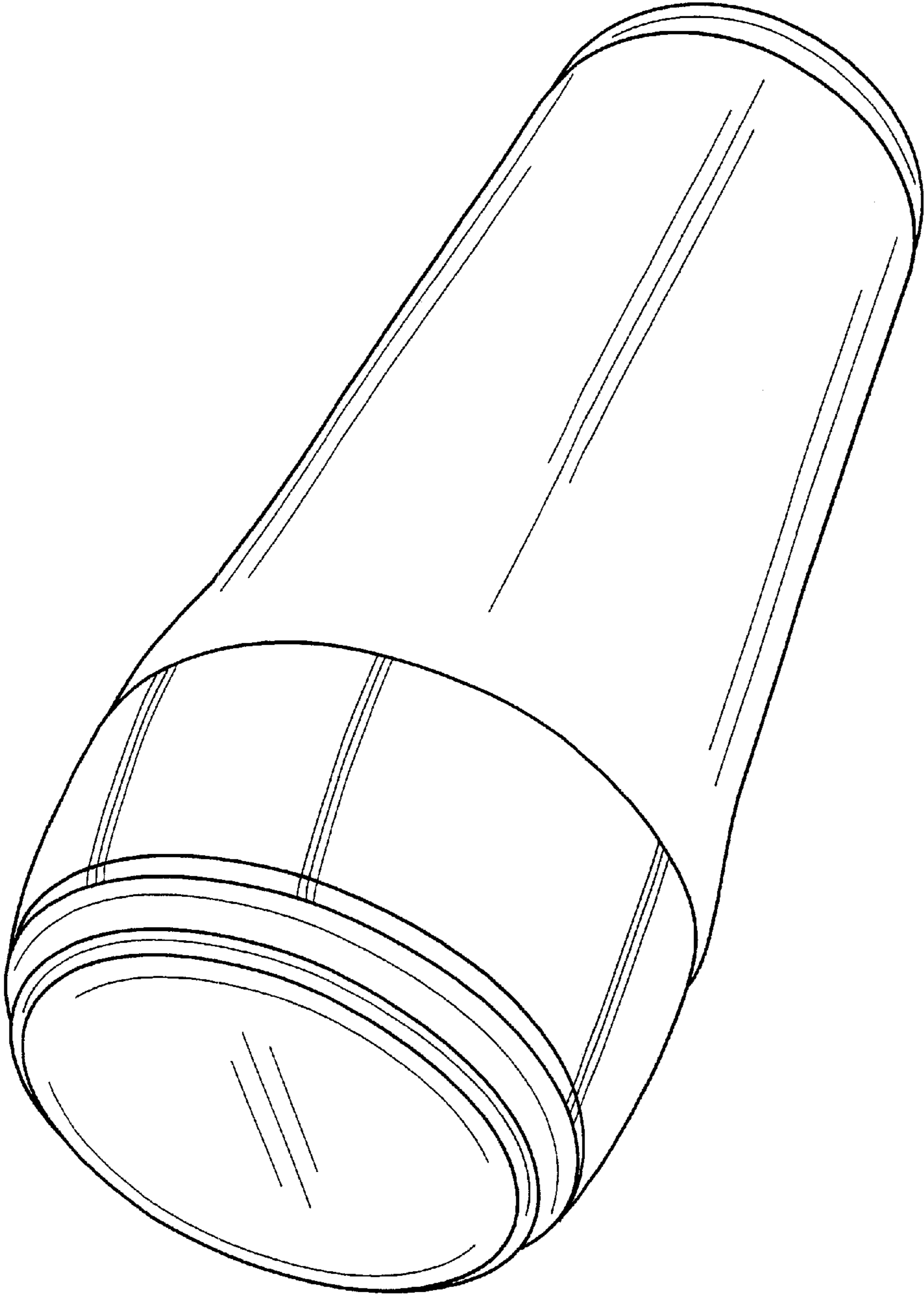


Fig. 6