



US00D540122S

(12) **United States Design Patent**  
**Wasserman et al.**

(10) **Patent No.:** **US D540,122 S**  
(45) **Date of Patent:** **\*\* Apr. 10, 2007**

- (54) **DOUBLE WALLED METALLIC BOWL**
  - (75) Inventors: **David M. Wasserman**, Whitefish Bay, WI (US); **Rebecca J. Schreiber-Pethan**, Sheboygan, WI (US)
  - (73) Assignee: **The Vollrath Company, L.L.C.**, Sheboygan, WI (US)
  - (\*\*) Term: **14 Years**
  - (21) Appl. No.: **29/238,841**
  - (22) Filed: **Sep. 22, 2005**
  - (51) **LOC (8) Cl.** ..... **07-01**
  - (52) **U.S. Cl.** ..... **D7/584**
  - (58) **Field of Classification Search** ..... D7/584-586, D7/535, 602, 542, 505, 543, 611, 545, 376, D7/630, 565, 558, 300.1, 397, 312, 523, 316, D7/396.2, 503, 566, 609, 570, 354; D9/769, D9/772, 424, 425, 430-433, 428, 901, 902; 220/23.83, 574, 212, 657, 659, 755, 771; 222/143, 465.1; 206/821, 822; D24/216, D24/224, 121, 132, 220, 227; 435/288.3, 435/304.3, 305.1
- See application file for complete search history.

- D264,791 S 6/1982 Conti
- D264,792 S 6/1982 Conti
- D288,515 S 3/1987 Rimmer
- D289,245 S 4/1987 Ritman
- D289,246 S \* 4/1987 Ritman ..... D7/584
- D289,717 S 5/1987 Ritman
- D289,843 S \* 5/1987 Ritman ..... D7/584
- D291,757 S 9/1987 Ritman
- 4,825,025 A \* 4/1989 Seiferth ..... 219/730
- D315,658 S 3/1991 Scherer
- D320,532 S \* 10/1991 Zielinski et al. .... D7/560
- D321,815 S 11/1991 Bowdler
- D325,112 S 4/1992 Thompson
- 5,172,826 A 12/1992 Celaya
- D340,617 S 10/1993 Douglas
- D345,716 S 4/1994 Kwiatkowski
- D360,558 S 7/1995 Appleman
- D362,155 S 9/1995 Yee
- D362,594 S 9/1995 McEntee
- D363,662 S \* 10/1995 Plater ..... D9/425
- D367,413 S 2/1996 Ballin
- D371,939 S 7/1996 Rigney

(Continued)

*Primary Examiner*—Ian Simmons  
*Assistant Examiner*—Charles Hanson  
(74) *Attorney, Agent, or Firm*—Foley & Lardner LLP

(57) **CLAIM**

We claim the ornamental design for a double walled metallic bowl, as shown and described.

(56) **References Cited**

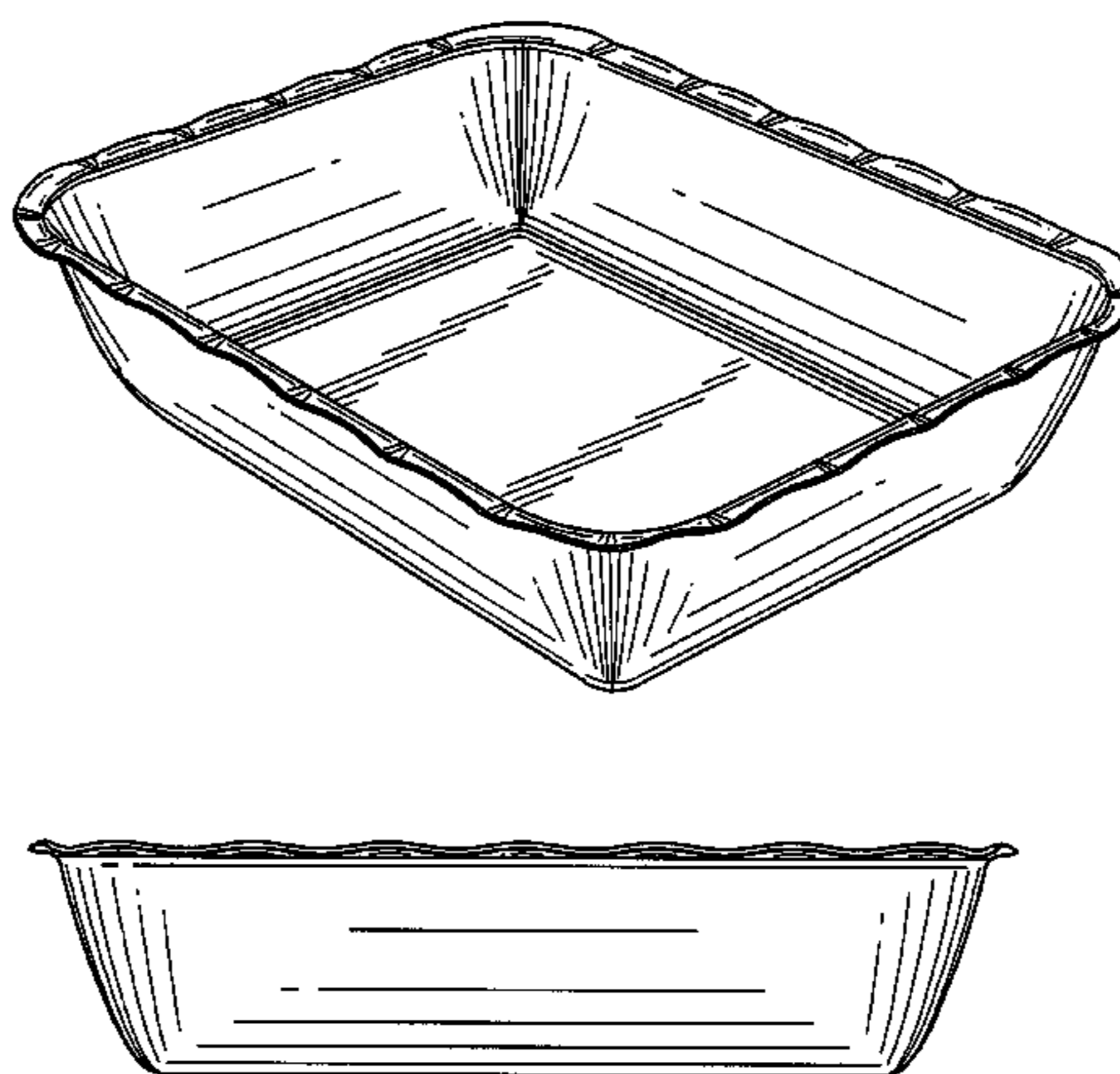
U.S. PATENT DOCUMENTS

- 184,814 A 11/1876 Adam
- D15,753 S \* 1/1885 Knowles ..... D7/565
- 1,093,648 A 4/1914 Potter
- D47,368 S \* 5/1915 Stoltz ..... D7/565
- D50,194 S 1/1917 Haley
- D50,398 S 2/1917 Miller
- D50,401 S 2/1917 Miller
- D56,334 S \* 10/1920 Beiswanger ..... D7/565
- 1,607,864 A 11/1926 Butler
- D75,939 S 7/1928 Tennhardt
- D94,245 S 1/1935 Sebring, Jr. et al.
- 2,050,206 A 8/1936 Chaplin
- D209,307 S 11/1967 Schilling
- D214,678 S 7/1969 Weeber
- 3,792,809 A 2/1974 Schneider et al.

**DESCRIPTION**

FIG. 1 is a top perspective view of a double walled metallic bowl according to our new design;  
FIG. 2 is a left end elevation view thereof, the right end elevation view being identical;  
FIG. 3 is a top plan view thereof;  
FIG. 4 is front elevation view thereof, the rear elevation view being identical;  
FIG. 5 is a bottom plan view thereof;  
FIG. 6 is a sectional view thereof taken along line 6—6 in FIG. 3; and,  
FIG. 7 is a cross section view thereof taken along line 7—7 in FIG. 3.

**1 Claim, 4 Drawing Sheets**



# US D540,122 S

Page 2

## U.S. PATENT DOCUMENTS

5,706,980 A	1/1998	Dickerson	
D392,881 S	* 3/1998	Bulcher et al. ....	D9/425
D411,288 S	6/1999	Cuttriss	
5,934,472 A	8/1999	Ramirez et al.	
D415,656 S	* 10/1999	Henry .....	D7/545
D420,859 S	* 2/2000	Loew et al. ....	D7/602
D424,879 S	5/2000	Biber	
D428,770 S	8/2000	Wellner	
D428,771 S	8/2000	Novi	
D432,362 S	10/2000	Fait	
D439,159 S	* 3/2001	Chen .....	D9/425
D442,019 S	5/2001	Wyche	
D442,425 S	5/2001	Wyche	
D443,476 S	6/2001	Miura	
D456,211 S	4/2002	Price	
D457,389 S	5/2002	Snell	
D458,807 S	6/2002	Trazzi	
D459,946 S	7/2002	Willat	
D471,404 S	3/2003	Gady	
D471,406 S	3/2003	Wellner	
D478,476 S	8/2003	Wellner	
D478,477 S	8/2003	Tisdale et al.	
D480,269 S	10/2003	Currier	
D481,262 S	10/2003	Tisdale et al.	
D485,127 S	1/2004	Maier-Aichen	
D488,352 S	4/2004	Tisdale et al.	
D491,019 S	6/2004	Marsden et al.	
D494,062 S	8/2004	Willis	
D494,419 S	8/2004	Armer	
D495,211 S	8/2004	Brown et al.	
D495,920 S	* 9/2004	Isler et al. ....	D7/354
D503,871 S	* 4/2005	Armer .....	D7/554.3
D517,366 S	* 3/2006	Oztiryaki .....	D7/354

\* cited by examiner

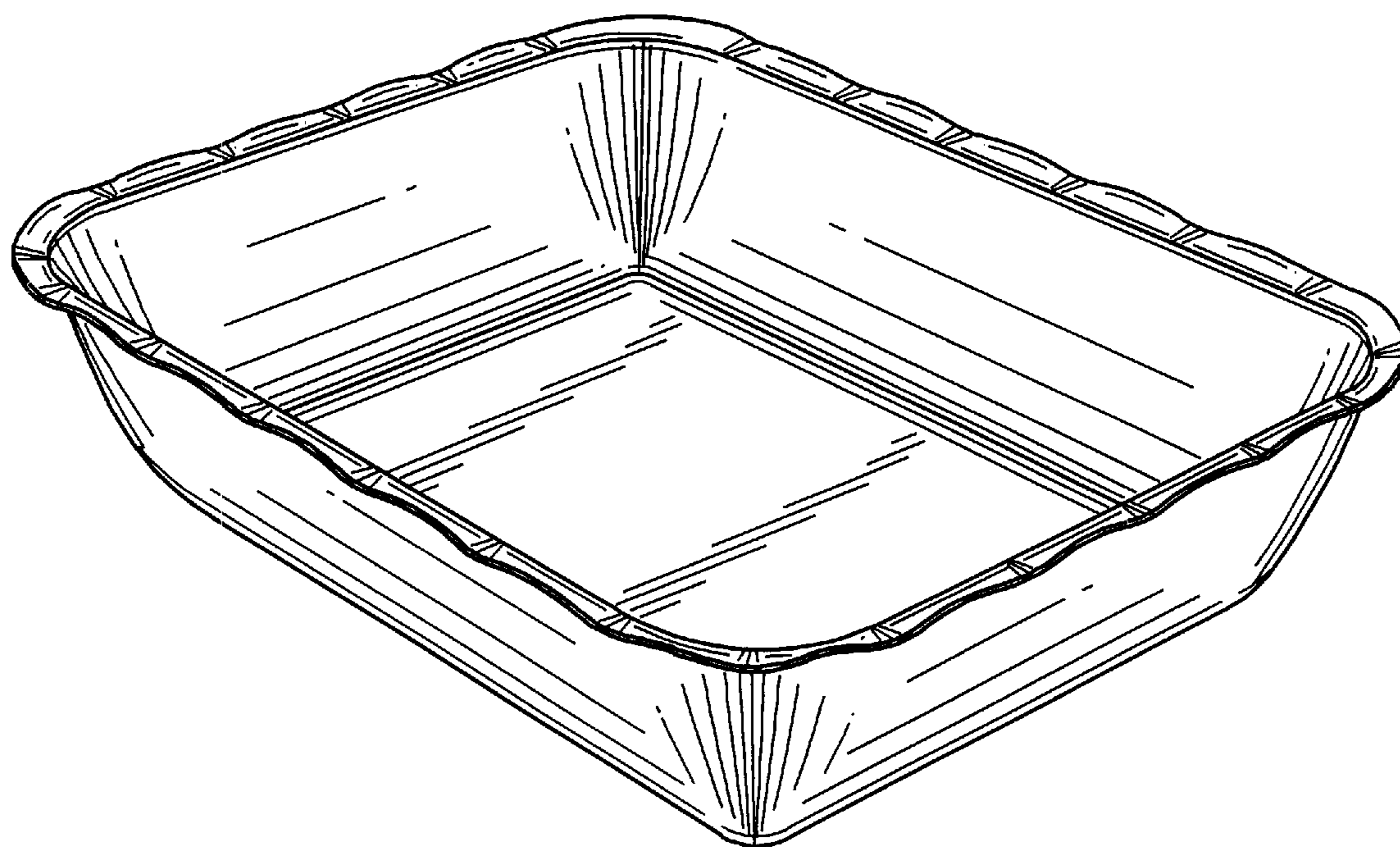


FIG. 1

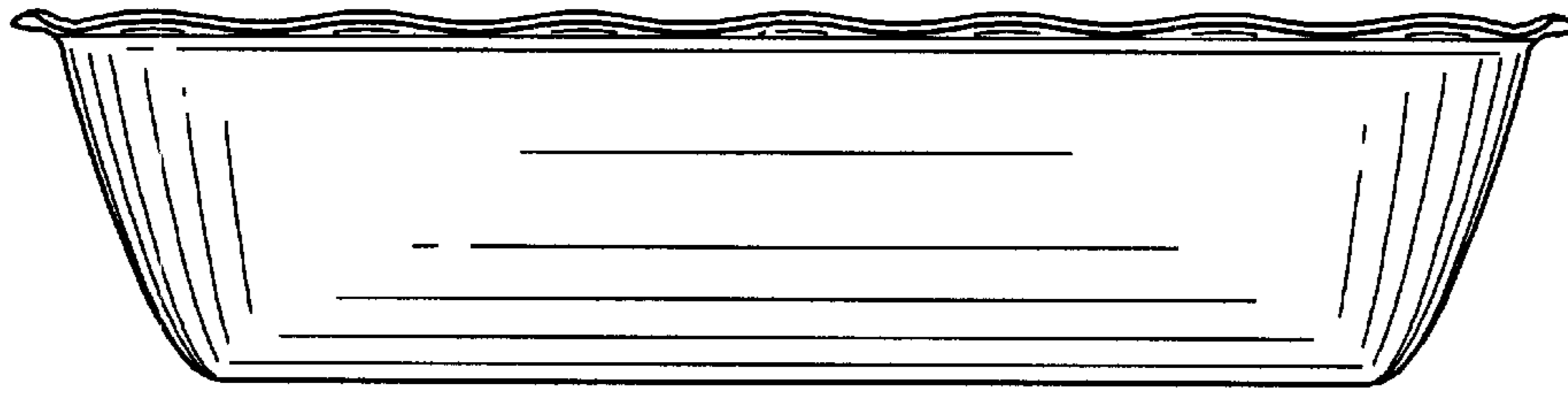


FIG. 2

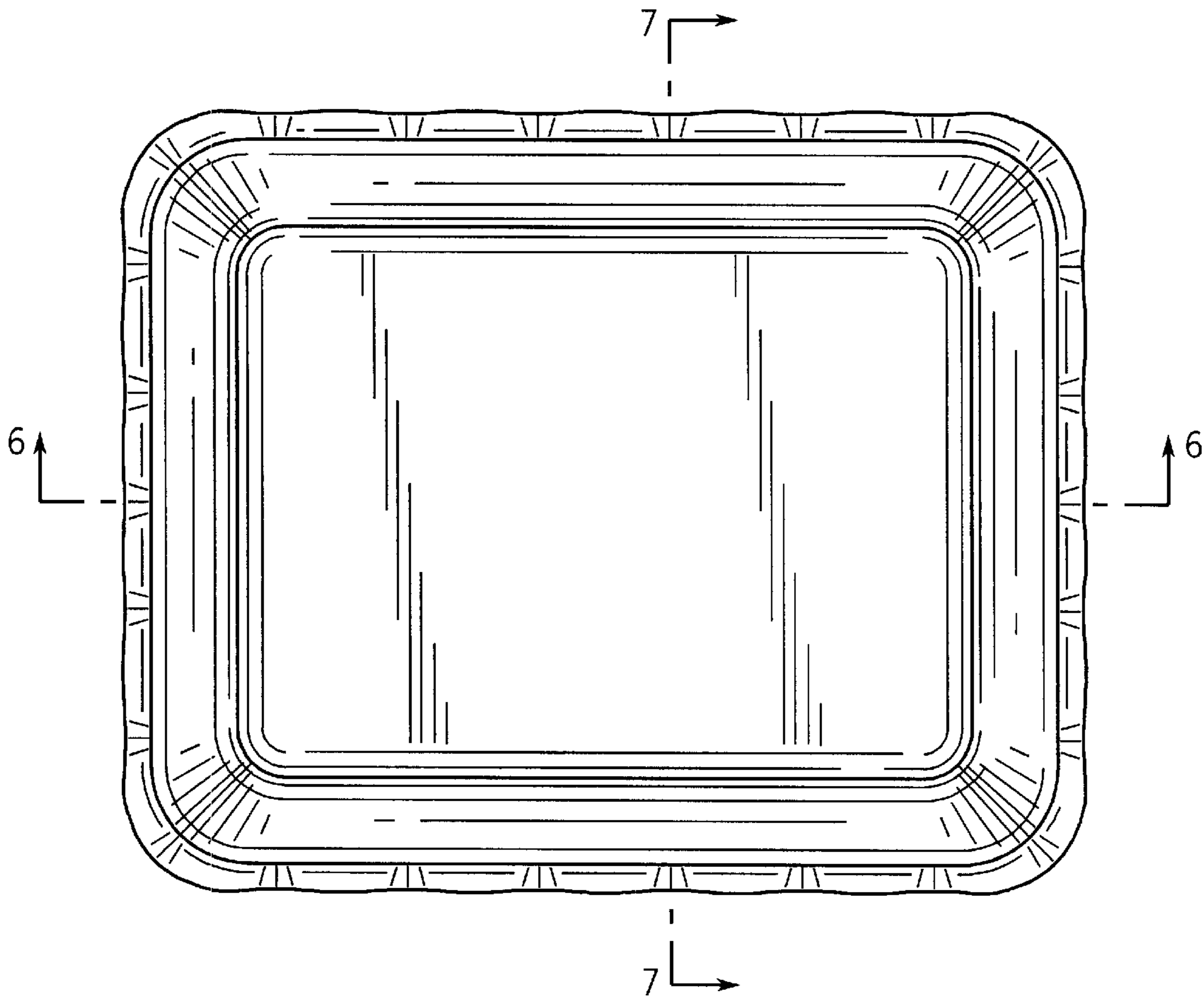


FIG. 3

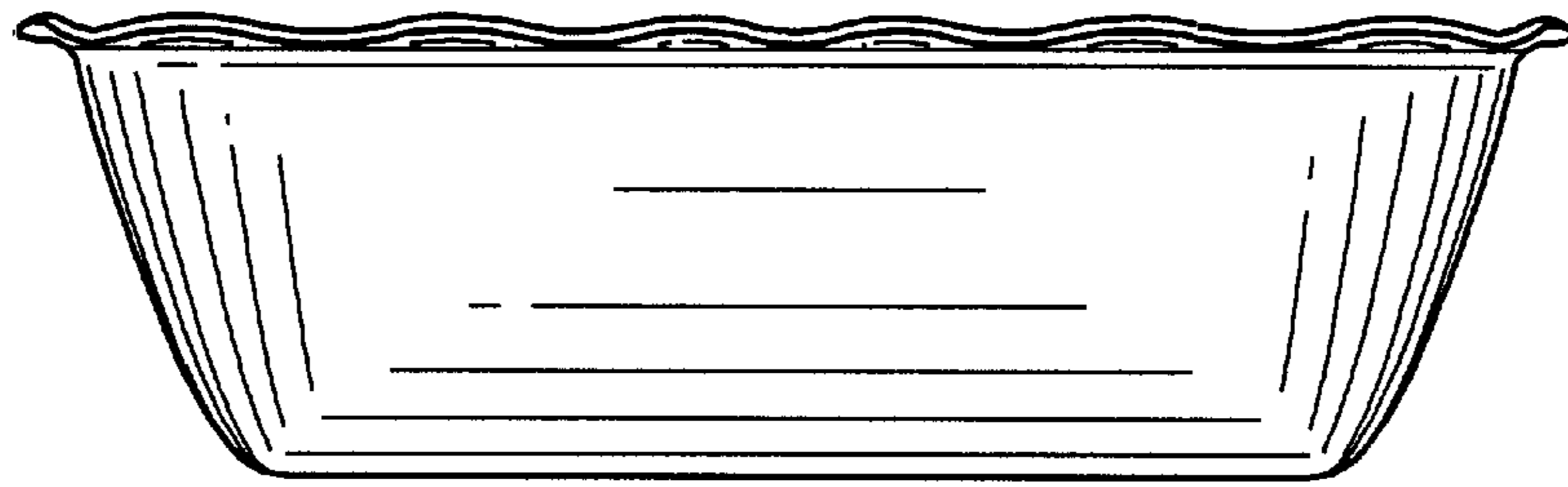


FIG. 4

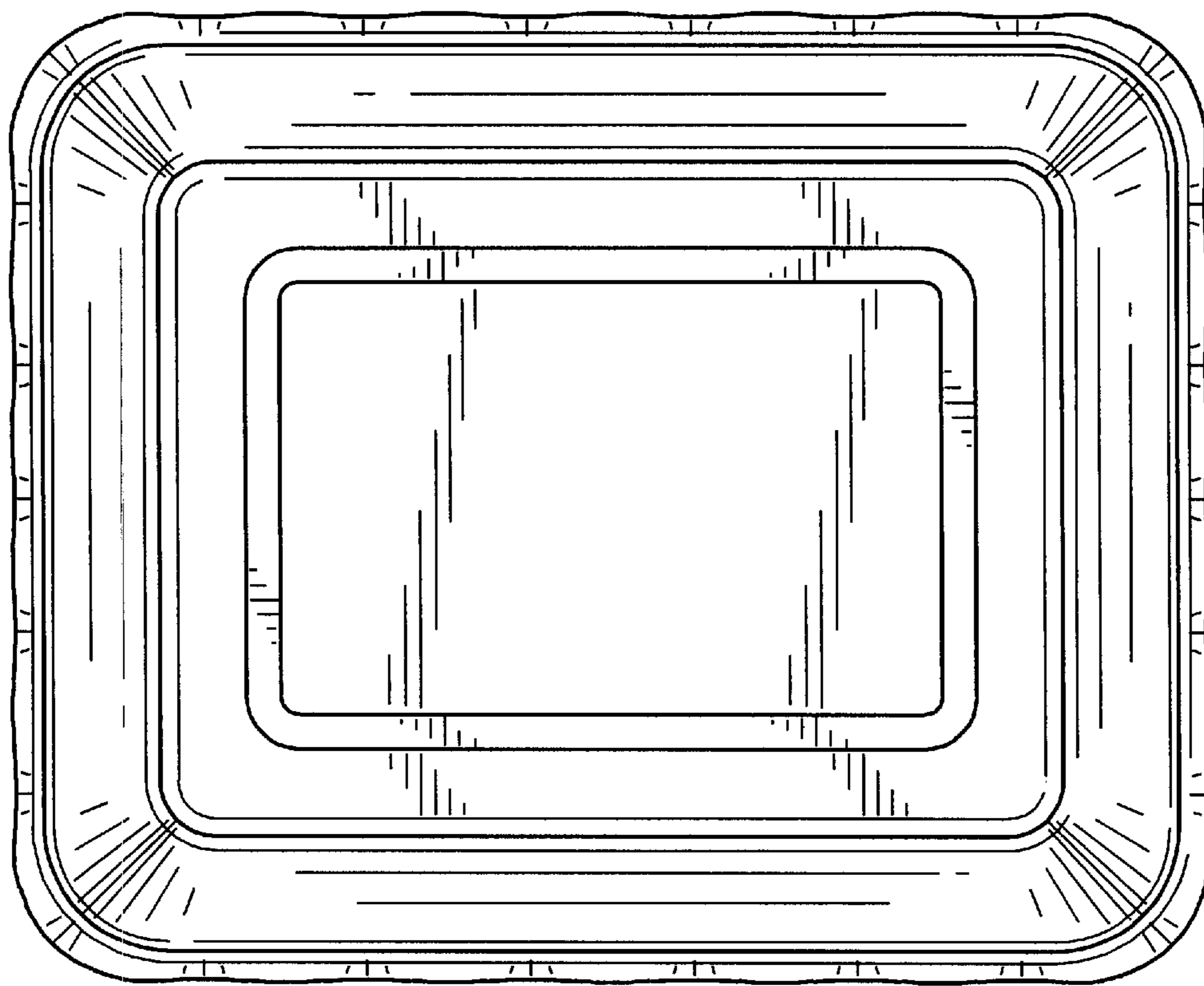


FIG. 5

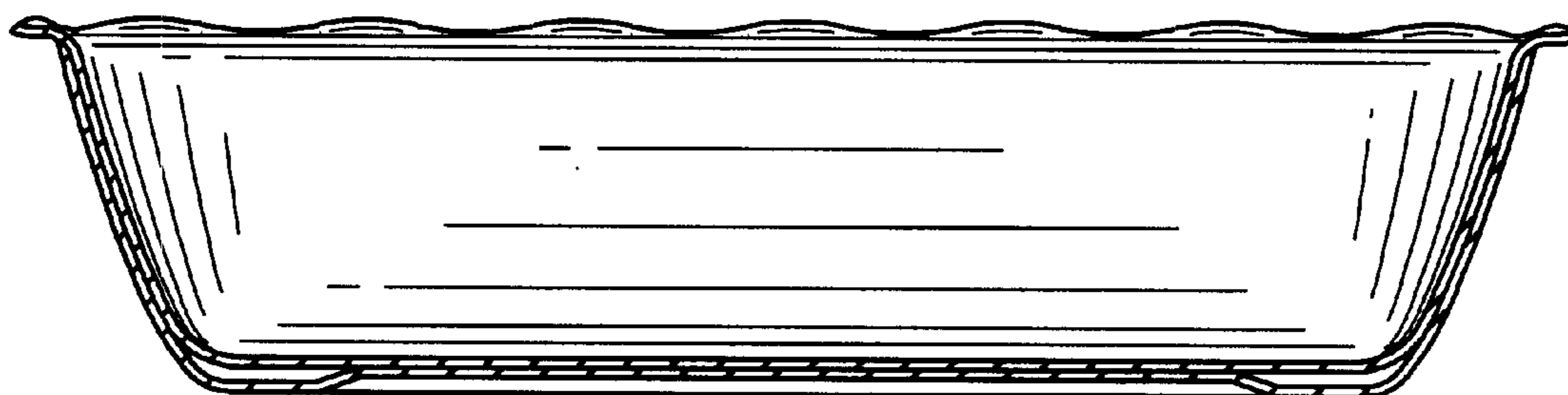


FIG. 6

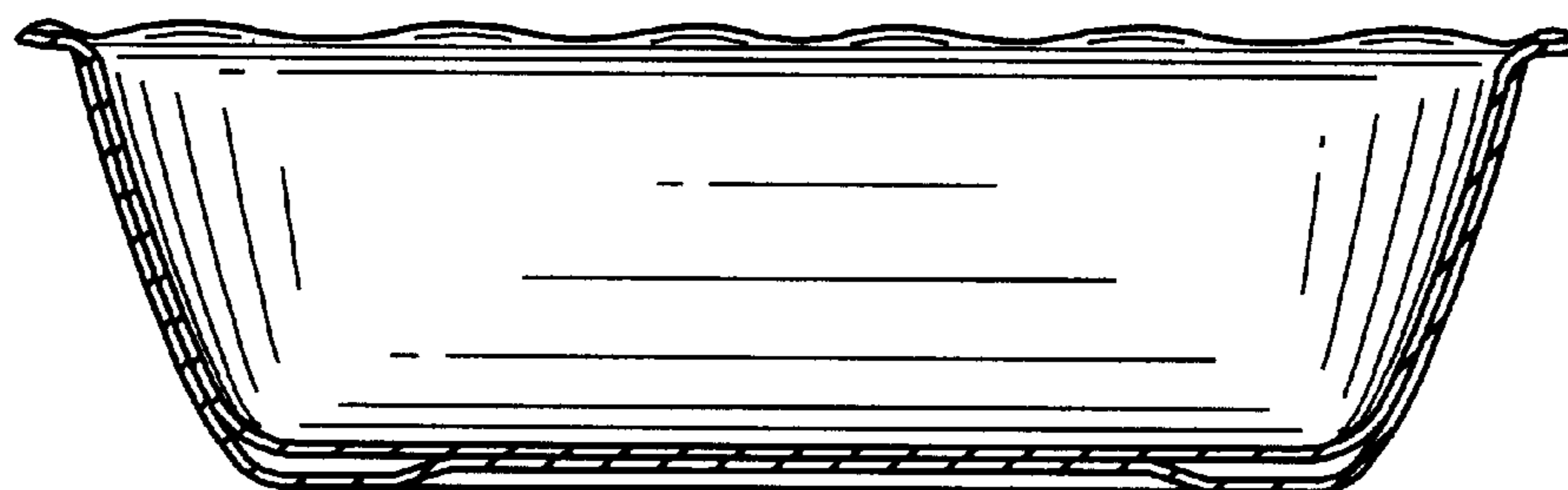


FIG. 7