

US00D540116S

(12) **United States Design Patent**  
**Feil**

(10) **Patent No.:** **US D540,116 S**

(45) **Date of Patent:** **\*\* Apr. 10, 2007**

(54) **KITCHEN MIXING MACHINE**

(75) Inventor: **Rolf Feil**, Guenzburg (DE)

(73) Assignee: **BSH Bosch und Siemens Hausgeraete GmbH**, Munich (DE)

(\*\*) Term: **14 Years**

(21) Appl. No.: **29/254,799**

(22) Filed: **Feb. 28, 2006**

(30) **Foreign Application Priority Data**

Aug. 29, 2005 (EM) ..... 000401302

(51) **LOC (8) Cl.** ..... **31-00**

(52) **U.S. Cl.** ..... **D7/384**

(58) **Field of Classification Search** ..... D7/376-386,  
D7/412-414, 665; 99/509-511; 241/30-37.5,  
241/101.01-101.2, 166-169.1, 274, 278.2,  
241/285.1-285.3, 291, 292.1; 366/64-67,  
366/98, 100-221, 241-254, 279-292, 341-343,  
366/325.94

See application file for complete search history.

(56) **References Cited**

**U.S. PATENT DOCUMENTS**

- D255,757 S \* 7/1980 Feil ..... D7/386
- D284,633 S \* 7/1986 Viancin ..... D7/379
- D286,258 S \* 10/1986 Grange ..... D7/379
- D291,271 S \* 8/1987 Wilson ..... D7/379
- D314,883 S \* 2/1991 Naft ..... D7/379
- D315,473 S \* 3/1991 Copland ..... D7/379
- D366,182 S \* 1/1996 Hsieh ..... D7/376

- D372,162 S \* 7/1996 Ivy ..... D7/379
- D416,752 S \* 11/1999 Leverrier ..... D7/379
- 6,435,708 B1 \* 8/2002 Huang ..... 366/347
- D470,717 S \* 2/2003 Kaiser ..... D7/379
- D473,420 S \* 4/2003 Lo et al. .... D7/376
- D527,943 S \* 9/2006 Feil ..... D7/384

\* cited by examiner

*Primary Examiner*—Cathron C. Brooks

*Assistant Examiner*—Ricky Pham

(74) *Attorney, Agent, or Firm*—Russell W. Warnock; Craig J. Loest

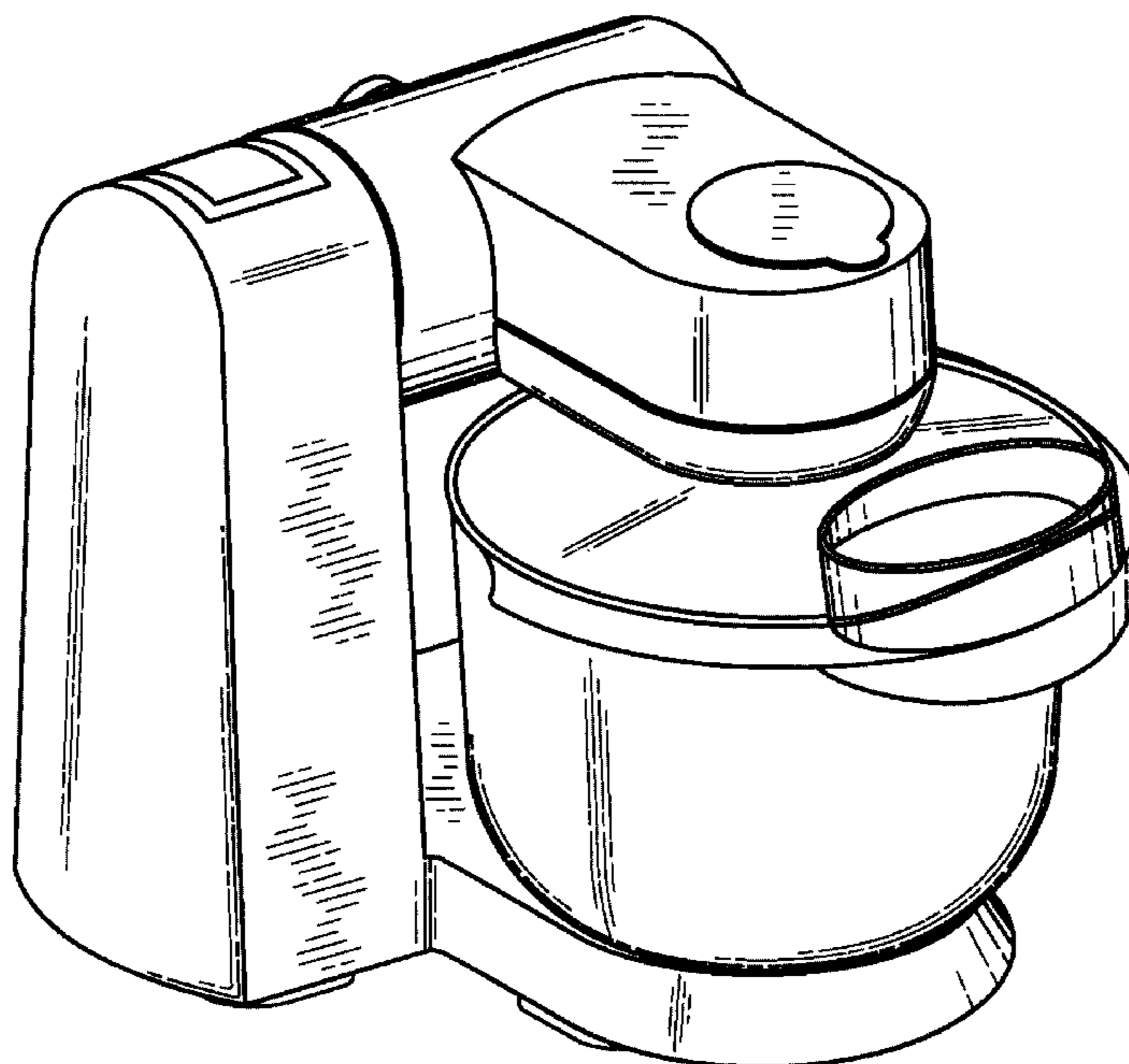
(57) **CLAIM**

The ornamental design for a kitchen mixing machine, as shown.

**DESCRIPTION**

FIG. 1 is a perspective view of a kitchen mixing machine showing my ornamental design; and  
 FIG. 2 is a left view of the kitchen mixing machine embodiment shown in FIG. 1; and  
 FIG. 3 is a right view of the kitchen mixing machine embodiment shown in FIG. 1; and  
 FIG. 4 is a front view of the kitchen mixing machine embodiment shown in FIG. 1; and  
 FIG. 5 is a rear view of the kitchen mixing machine embodiment shown in FIG. 1; and  
 FIG. 6 is a top view of the kitchen mixing machine embodiment shown in FIG. 1; and,  
 FIG. 7 is a bottom view of the kitchen mixing machine embodiment shown in FIG. 1.

**1 Claim, 4 Drawing Sheets**



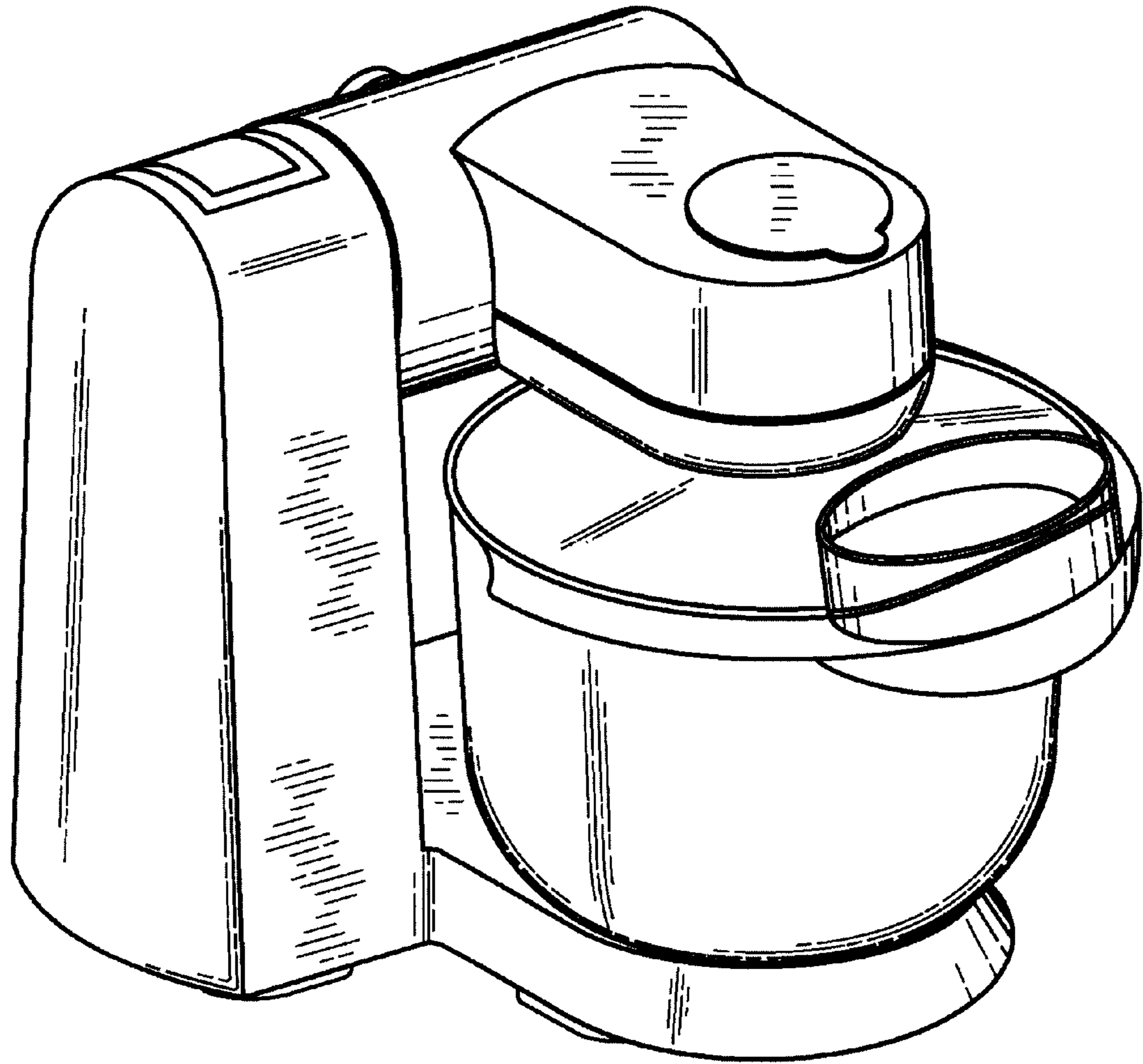


FIG. 1

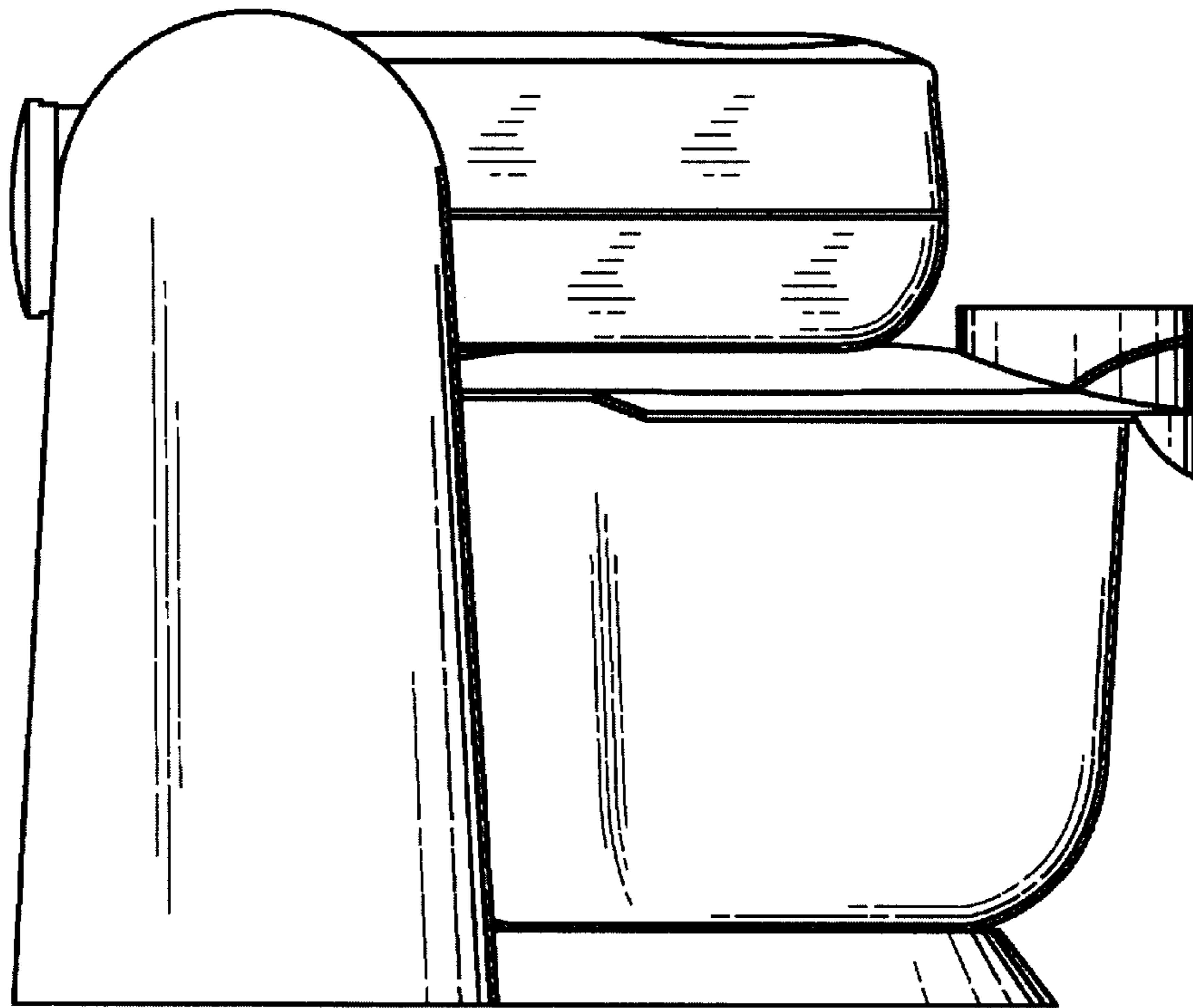


FIG. 2

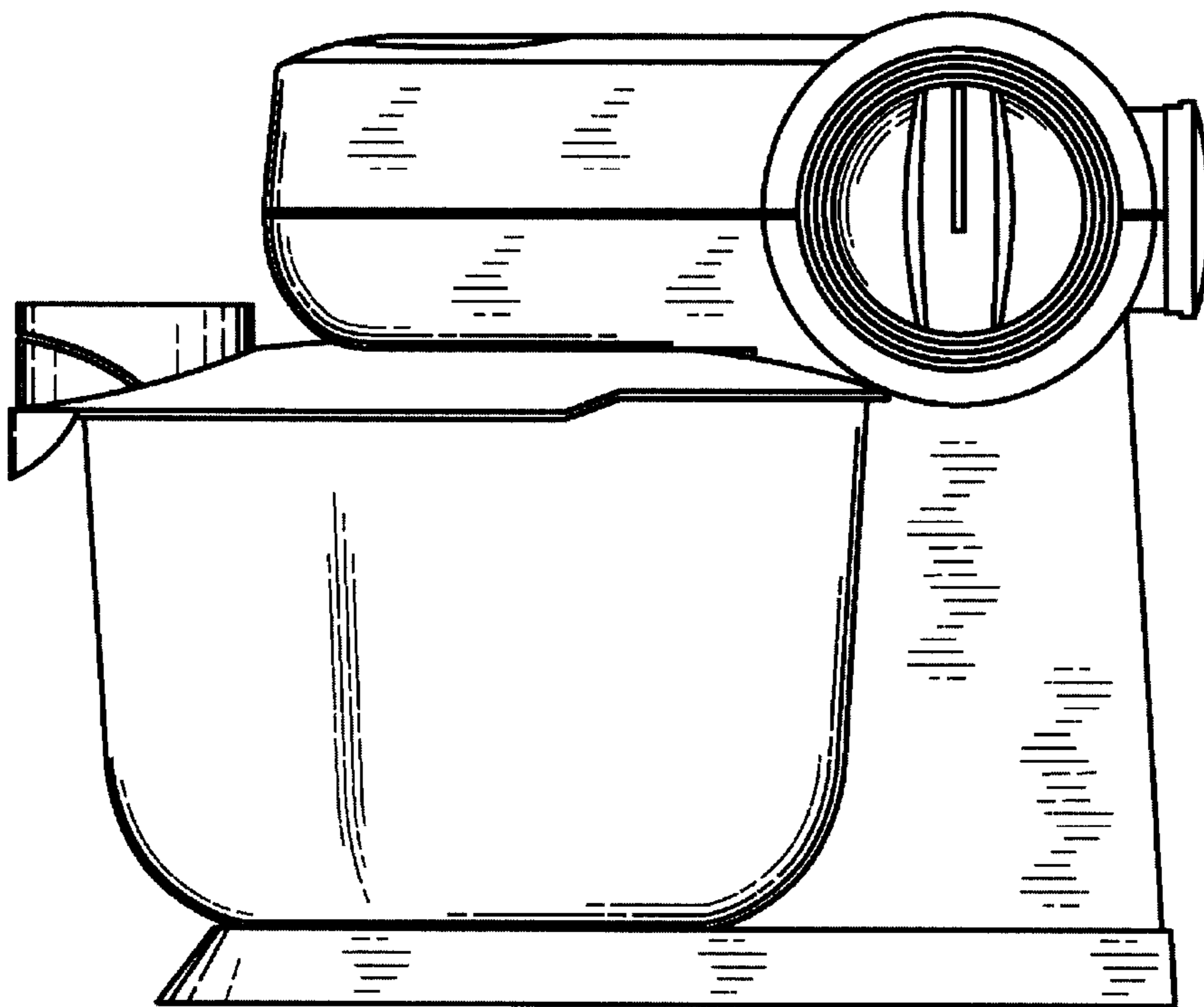


FIG. 3

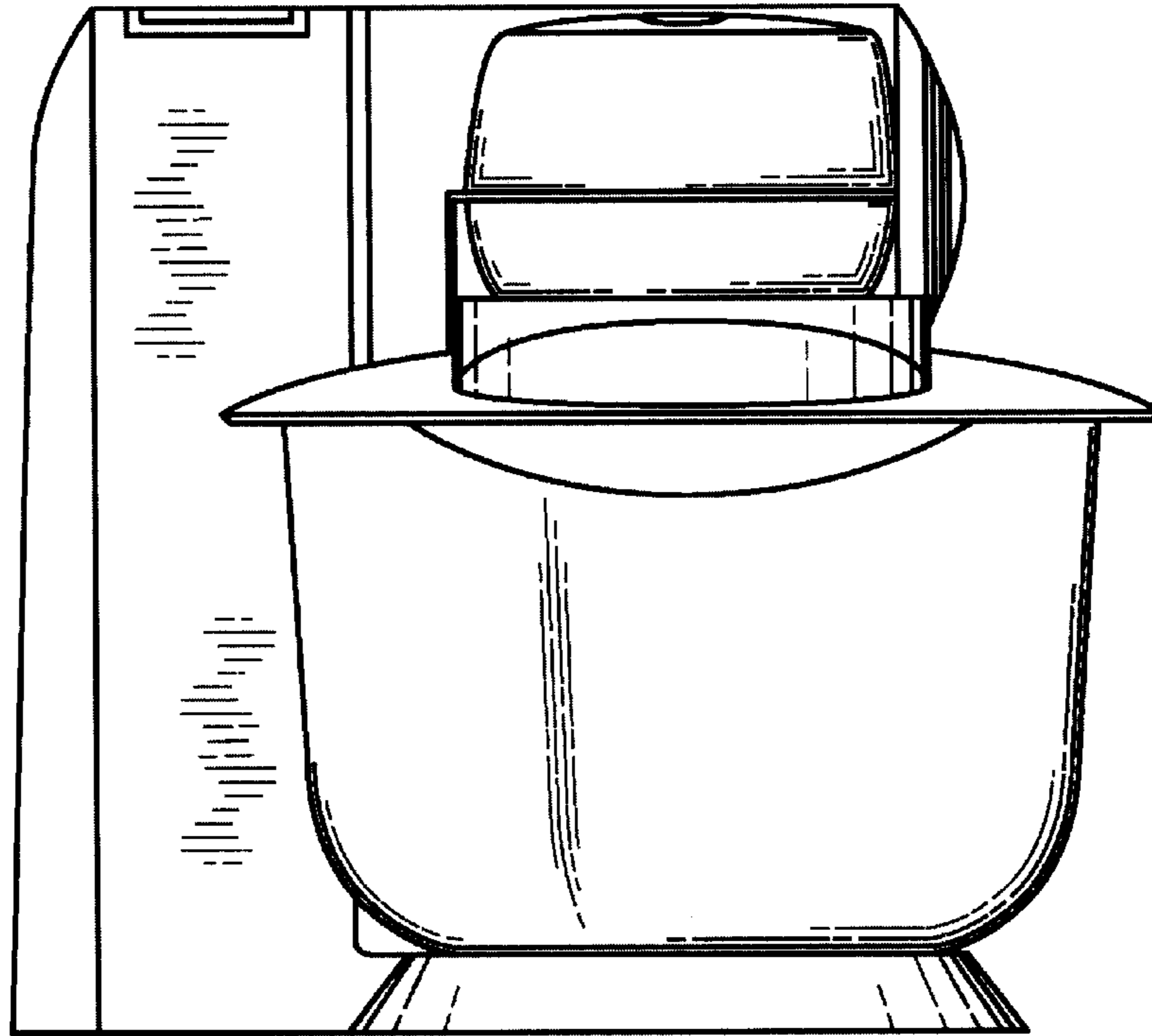


FIG. 4

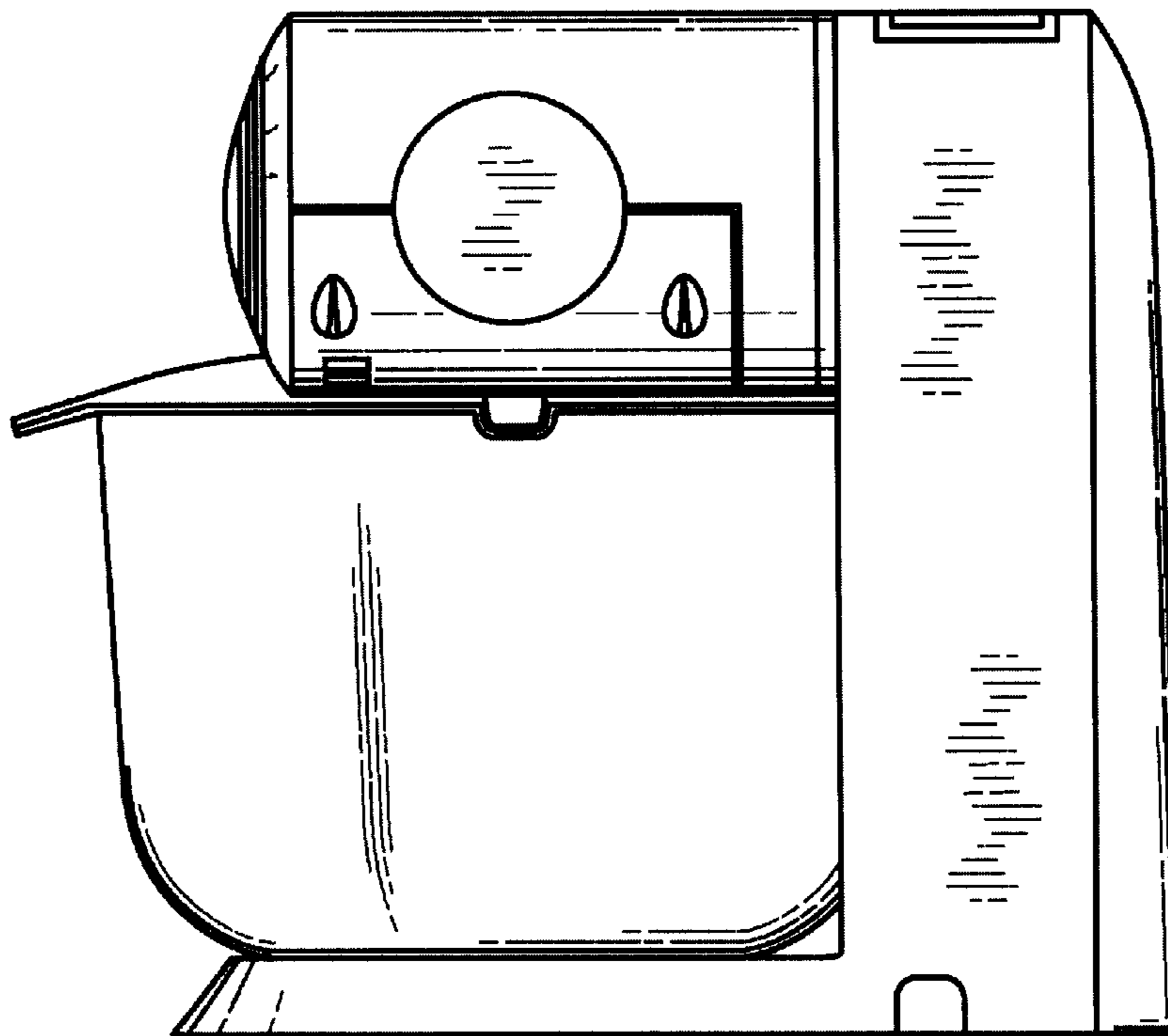


FIG. 5

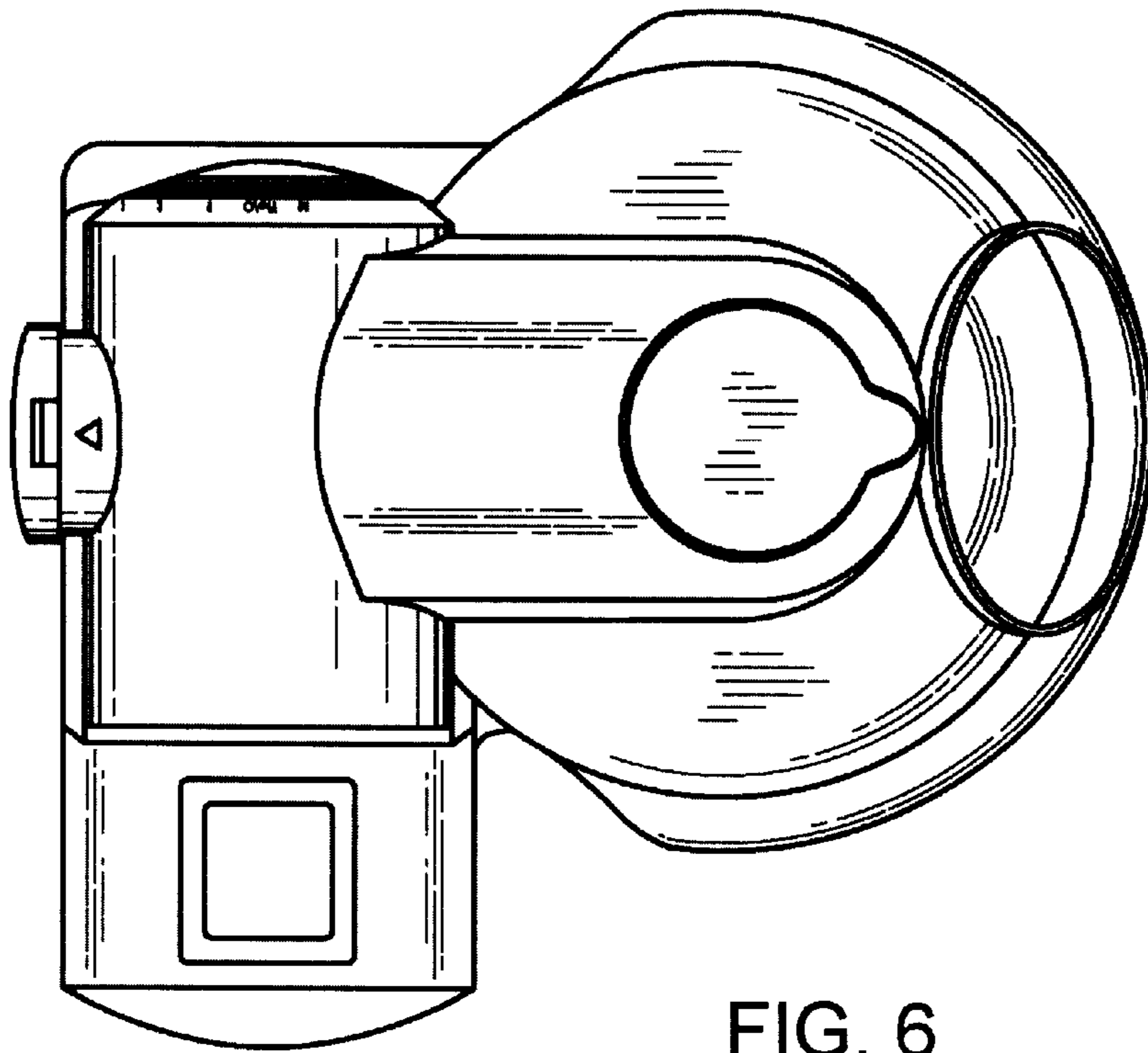


FIG. 6

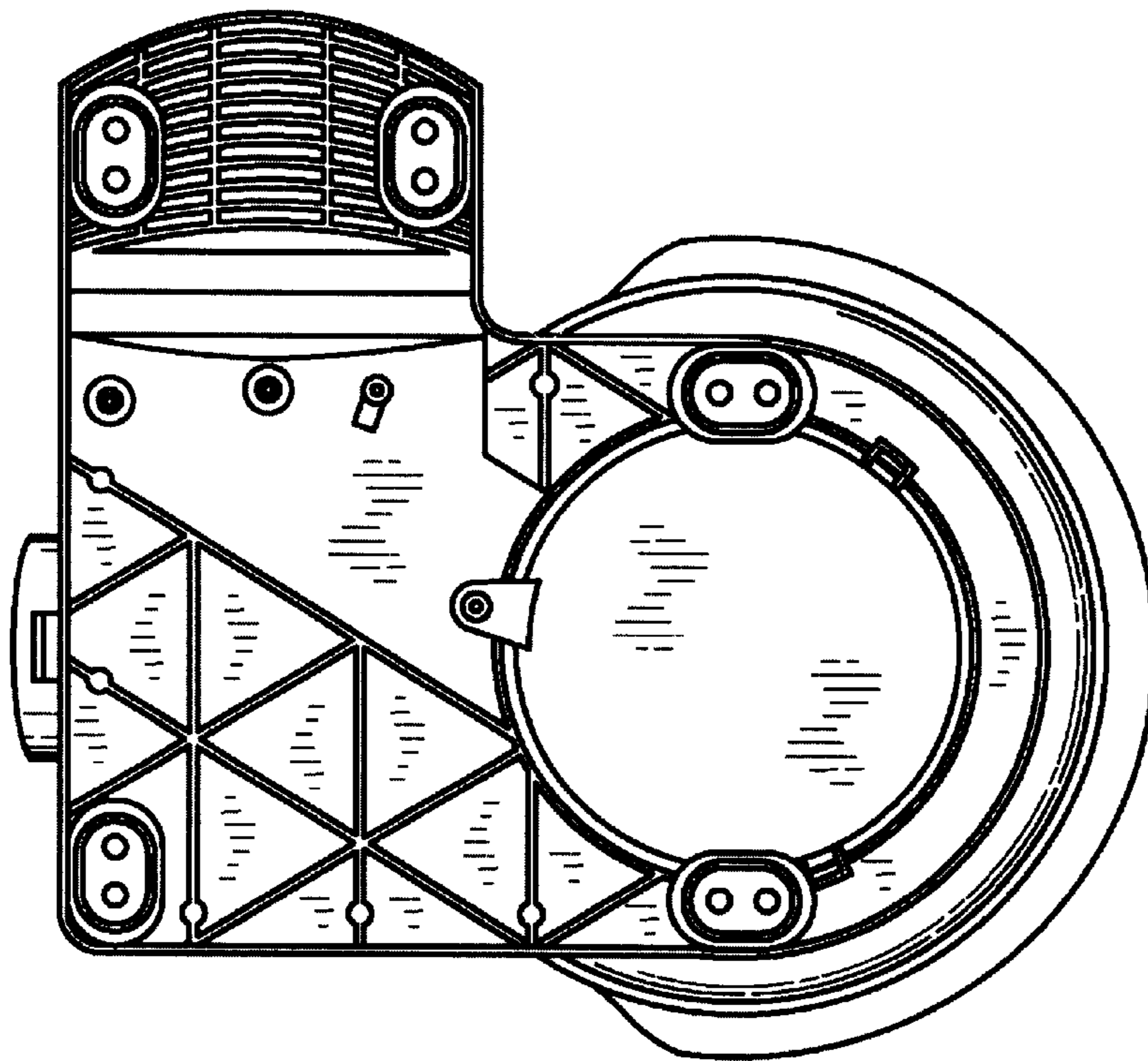


FIG. 7