

US00D540115S

(12) **United States Design Patent**  
**Picozza et al.**

(10) **Patent No.:** **US D540,115 S**  
(45) **Date of Patent:** **\*\* Apr. 10, 2007**

(54) **HAND MIXER**

(75) Inventors: **Augusto Picozza**, Boca Raton, FL (US); **James Junker**, Miami, FL (US); **Brooks Rorke**, Guilford, CT (US)

(73) Assignee: **Sunbeam Products, Inc.**, Boca Raton, FL (US)

(\*\*) Term: **14 Years**

(21) Appl. No.: **29/260,151**

(22) Filed: **May 17, 2006**

(51) **LOC (8) Cl.** ..... **31-00**

(52) **U.S. Cl.** ..... **D7/379**

(58) **Field of Classification Search** ..... D7/376–386,  
D7/412–414, 665; D8/64–69; 30/390–394;  
99/509–511; 241/166–169.1, 274–278.2,  
241/285.1–285.3, 291, 292.1; 366/53–67,  
366/98, 197–221, 241–254, 279–292, 341–343;  
173/216, 217

See application file for complete search history.

(56) **References Cited**

**U.S. PATENT DOCUMENTS**

2,179,745 A \* 11/1939 Kochner ..... 99/501  
D120,358 S \* 5/1940 Scharfenberg ..... D7/379  
D167,149 S \* 7/1952 Jepson ..... D7/379  
2,648,514 A \* 8/1953 Rosier et al. .... 248/131

2,676,760 A \* 4/1954 Simpson ..... 241/127  
3,333,824 A \* 8/1967 Jepson et al. .... 366/344  
D208,805 S \* 10/1967 De Fano et al. .... D7/379  
D210,682 S \* 4/1968 De Fano et al. .... D7/379  
4,568,193 A \* 2/1986 Contri et al. .... 366/206  
D384,549 S \* 10/1997 Cesaroni et al. .... D7/379  
D395,572 S \* 6/1998 Carroll et al. .... D7/379  
D453,444 S \* 2/2002 Garman ..... D7/379  
D465,698 S \* 11/2002 Allan ..... D7/379

\* cited by examiner

*Primary Examiner*—Cathron C. Brooks

*Assistant Examiner*—Ricky Pham

(74) *Attorney, Agent, or Firm*—Lawrence J. Shurupoff

(57) **CLAIM**

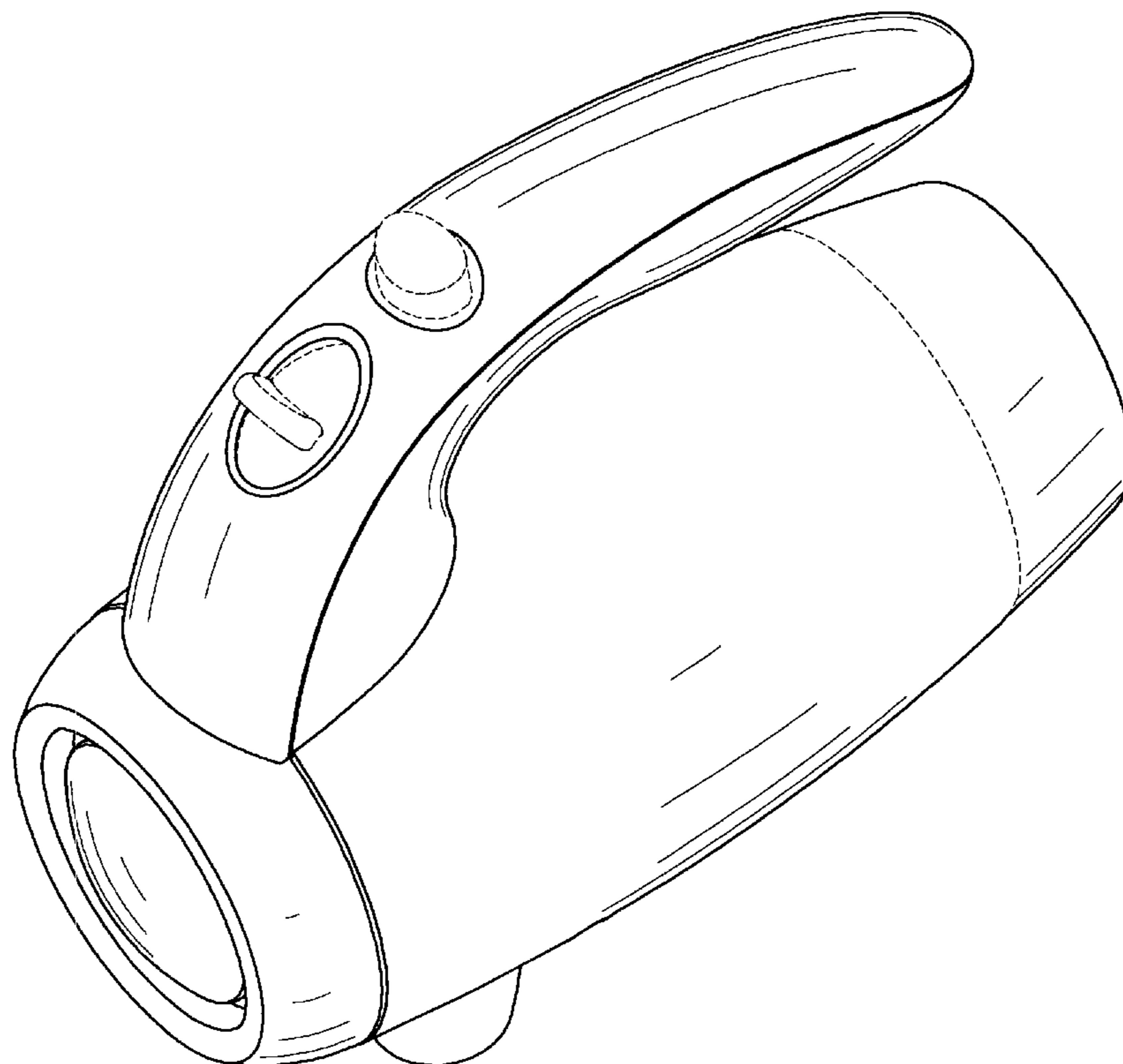
The ornamental design for a hand mixer, as shown and described.

**DESCRIPTION**

FIG. 1 is a right top front perspective view of a hand mixer;  
FIG. 2 is a left side elevational view thereof;  
FIG. 3 is a front elevational view thereof;  
FIG. 4 is a right side elevational view thereof;  
FIG. 5 is a rear elevational view thereof; and,  
FIG. 6 is a top plan view thereof.

The broken lines shown in the drawing is for illustrative purposes only and forms no part of the claimed design.

**1 Claim, 6 Drawing Sheets**



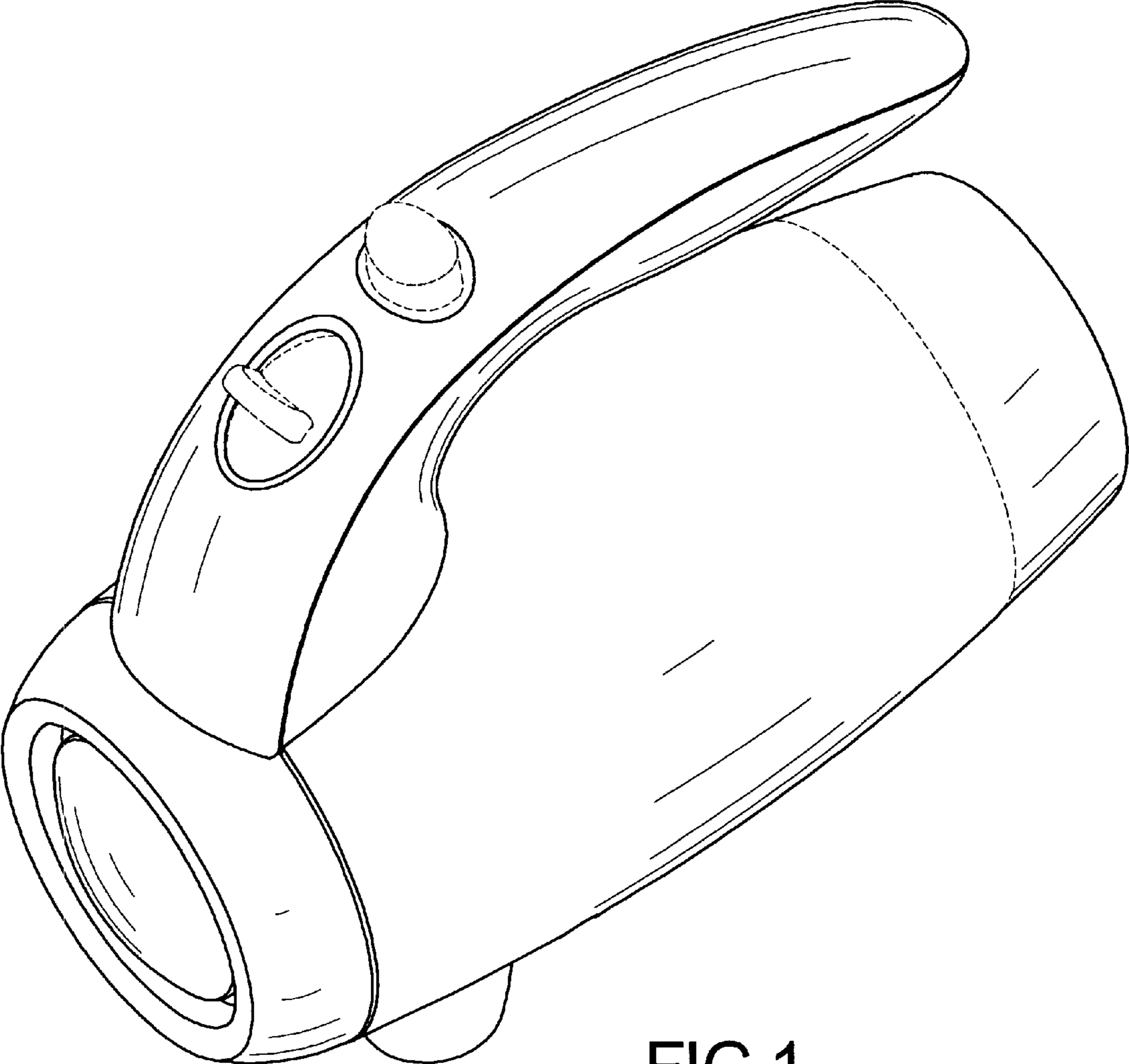


FIG 1

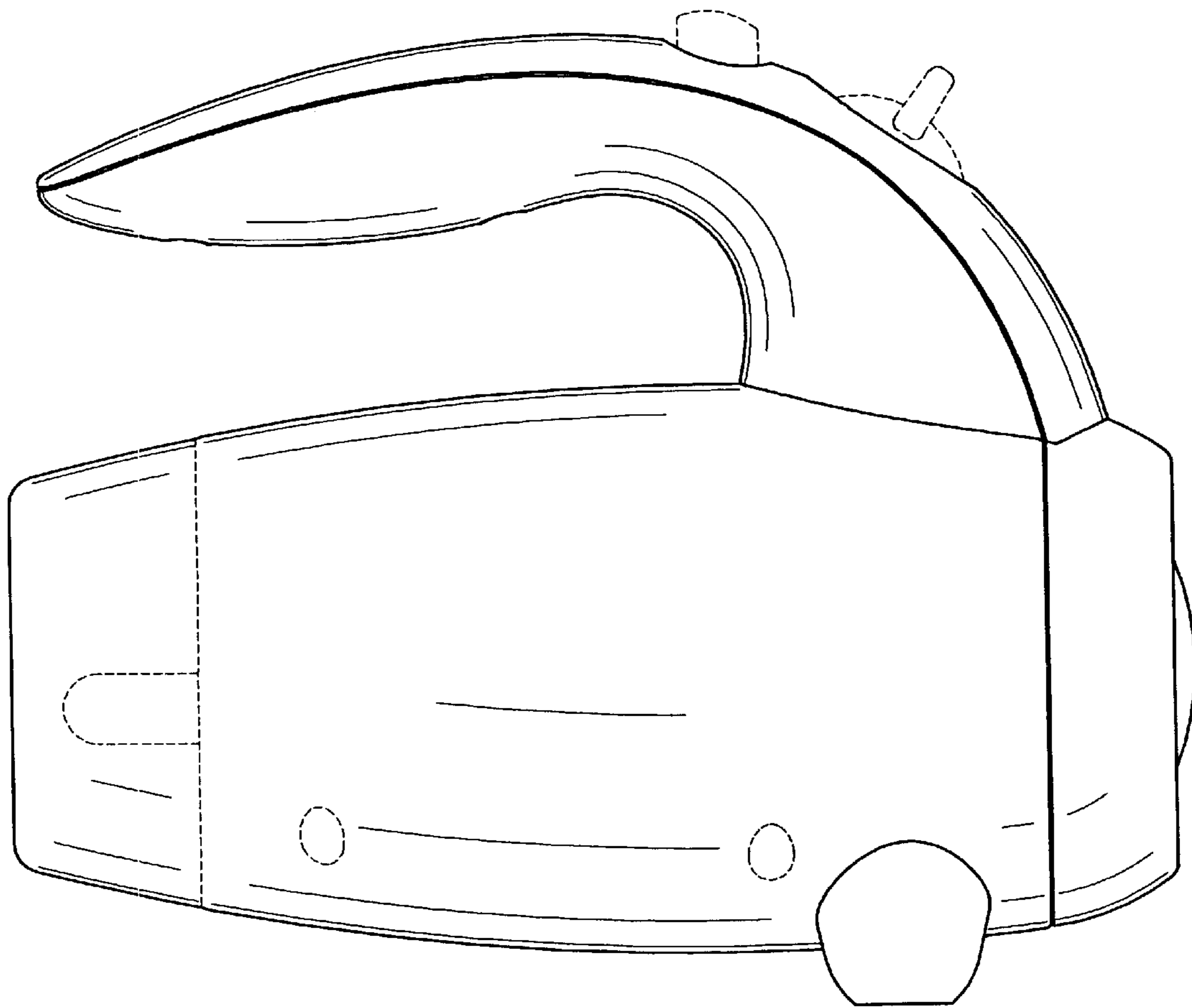


FIG 2

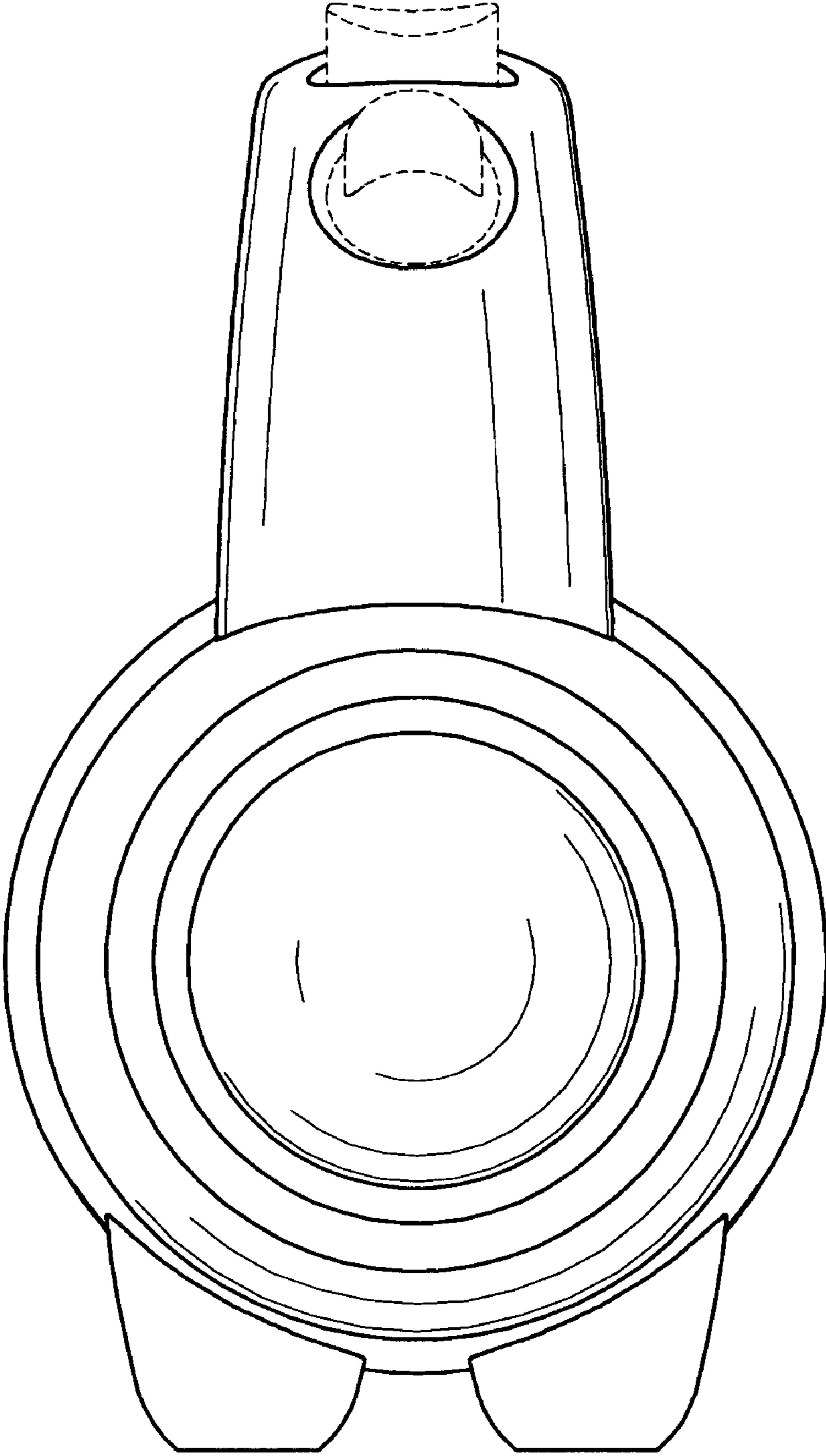


FIG 3

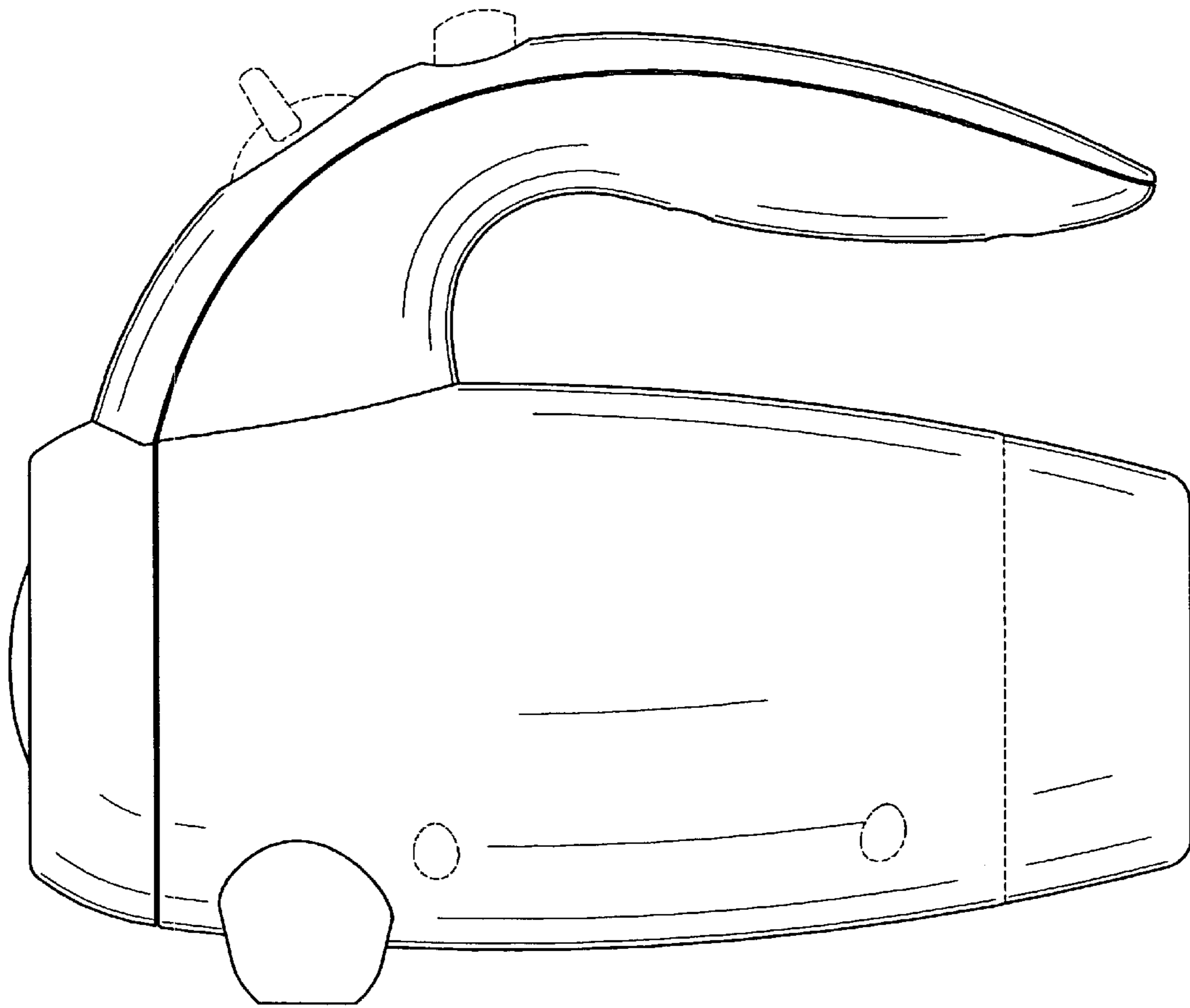


FIG 4

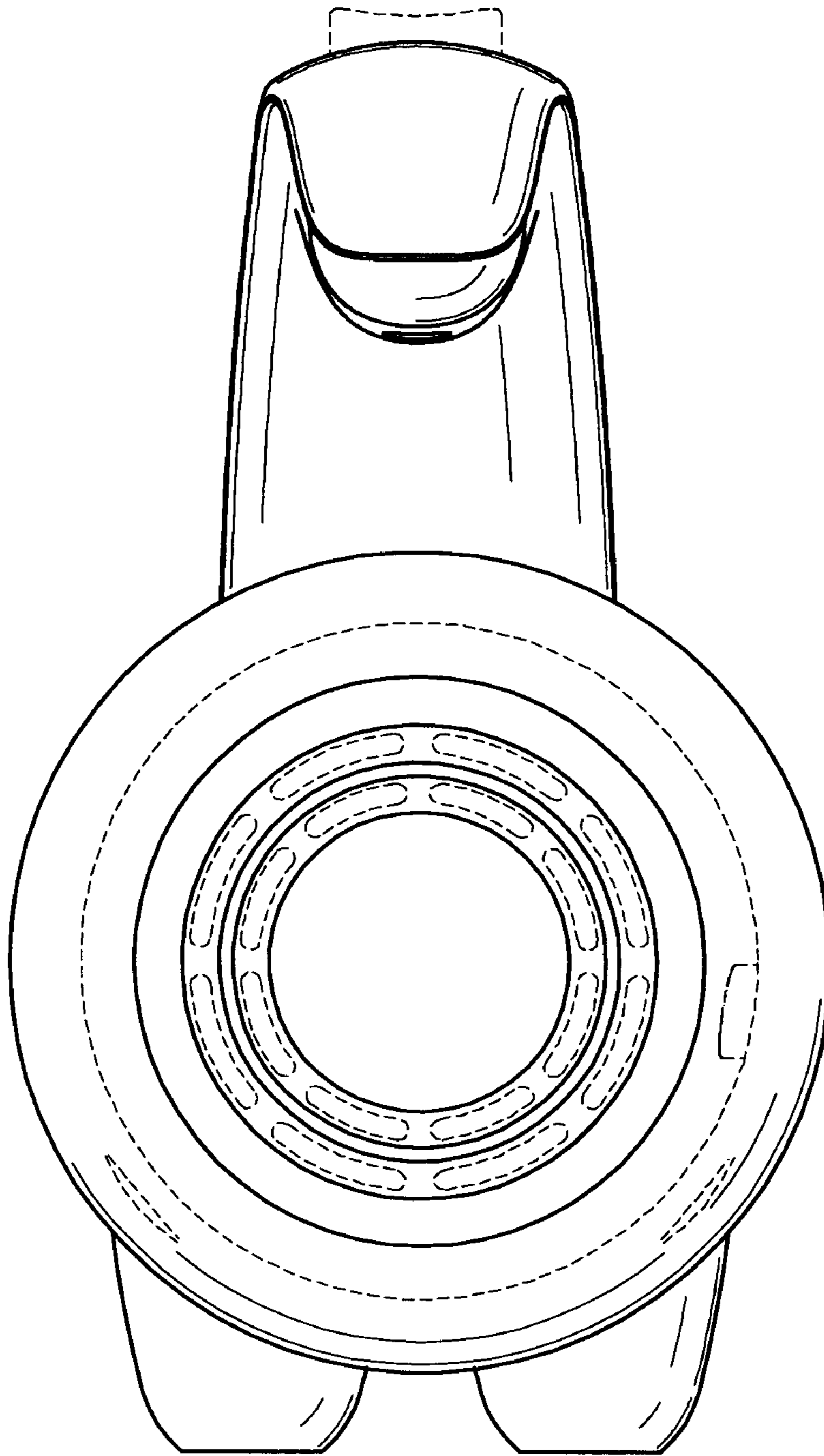


FIG 5



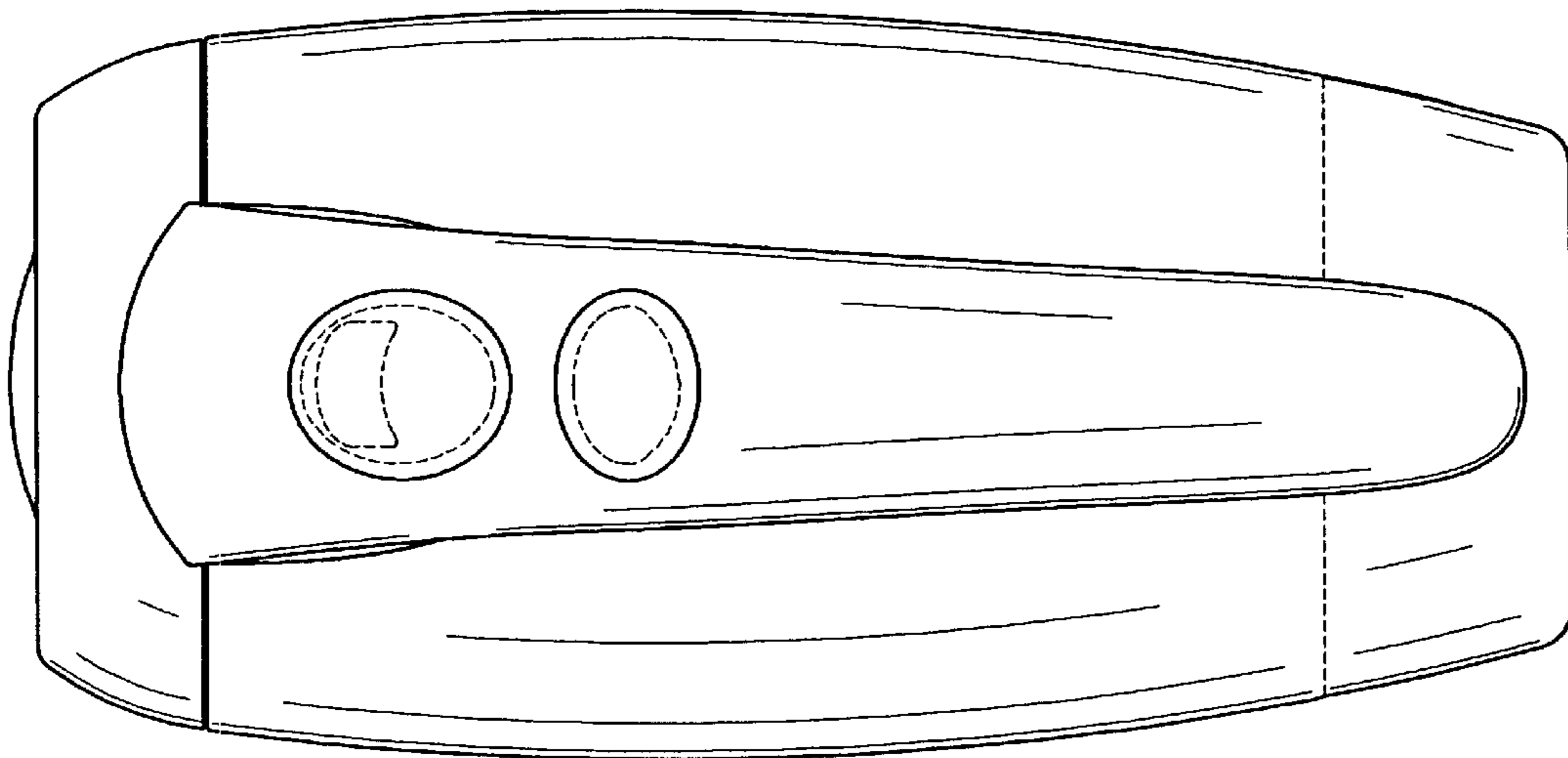


FIG 6