



US00D540113S

(12) **United States Design Patent** (10) **Patent No.:** **US D540,113 S**
Short et al. (45) **Date of Patent:** **** Apr. 10, 2007**

(54) **MIXER**

FOREIGN PATENT DOCUMENTS

(75) Inventors: **Ellis G. Short**, Troy, OH (US); **Neal H. Blackburn**, Springfield, OH (US); **David R. Castro**, Centerville, OH (US)

GB 2075103 9/1998
GB 3000822 7/2002
WO WO 2005034699 A1 * 4/2005

(73) Assignee: **Premark FEG L.L.C.**, Wilmington, DE (US)

OTHER PUBLICATIONS

(**) Term: **14 Years**

(21) Appl. No.: **29/216,770**

(22) Filed: **Nov. 9, 2004**

(51) **LOC (8) Cl.** **31-00**

(52) **U.S. Cl.** **D7/376**

(58) **Field of Classification Search** D7/376-386,
D7/412-414, 665; 99/509-511; 241/30-37.5,
241/101.01-101.02, 166-169.1, 274-278.2,
241/285.1-285.3, 291, 292.1; 366/53-67,
366/98, 197-221, 241-254, 279-292, 341-343,
366/325.94

See application file for complete search history.

Hobart Food Equipment N-50 Mixer; Jun. 2000; 1 Page.
Hobart Food Equipment A-120 Mixer; Jun. 2000; 1 Page.
Hobart Food Equipment A-200 Mixer; Jun. 2000; 1 Page.
The Edge publication, vol. Six, Spring 1994; 16 Pages.
U.S. Trademark Registration No. 2,206,296, Registered Dec. 1, 1998.
Univex Food Preparation Equipment price list/catalog; Nov. 1, 2001; p. 3, Planetary Mixer SRM60+ floor model mixer PN 1064402; bottom left of page.
Thunderbird bakery equipment & food machines flyer; copyright Jul. 1999; Planetary mixers ARM-02 and ARM-60 a the top and bottom of the page.
U.S. Trademark Registration No. 2,194,508, Registered Oct. 13, 1998.
U.S. Trademark Registration No. 1,553,469, Registered Aug. 29, 1989.
U.S. Appl. No. 09/630,402, filed Aug. 2, 2000, Inventors: Gongpu Yan (deceased) and Anthony L. DeBrosse.

(56) **References Cited**

U.S. PATENT DOCUMENTS

1,743,271 A * 6/1930 Gould 366/207
1,761,237 A * 6/1930 Schiff 366/185
D86,505 S * 3/1932 Meeker D7/379
2,024,282 A * 12/1935 Geiger 366/197
D111,616 S 10/1938 Rosengren
D116,747 S * 9/1939 Meeker et al. D7/379
D131,792 S * 3/1942 Strauss D7/379
2,306,245 A 12/1942 Duke
D162,875 S * 4/1951 Polivka et al. D7/379
D163,423 S 5/1951 Schimanski
D168,037 S * 10/1952 Karstadt D7/379
D170,130 S * 8/1953 Moore D7/379
D180,952 S 9/1957 Kaempf
2,931,232 A 4/1960 Martin
D189,936 S * 3/1961 Grange D7/379
D205,092 S 6/1966 Ewart
4,790,665 A 12/1988 Hayashi

Primary Examiner—Cathron C. Brooks
Assistant Examiner—Ricky Pham
(74) *Attorney, Agent, or Firm*—Thompson Hine LLP

(57) **CLAIM**

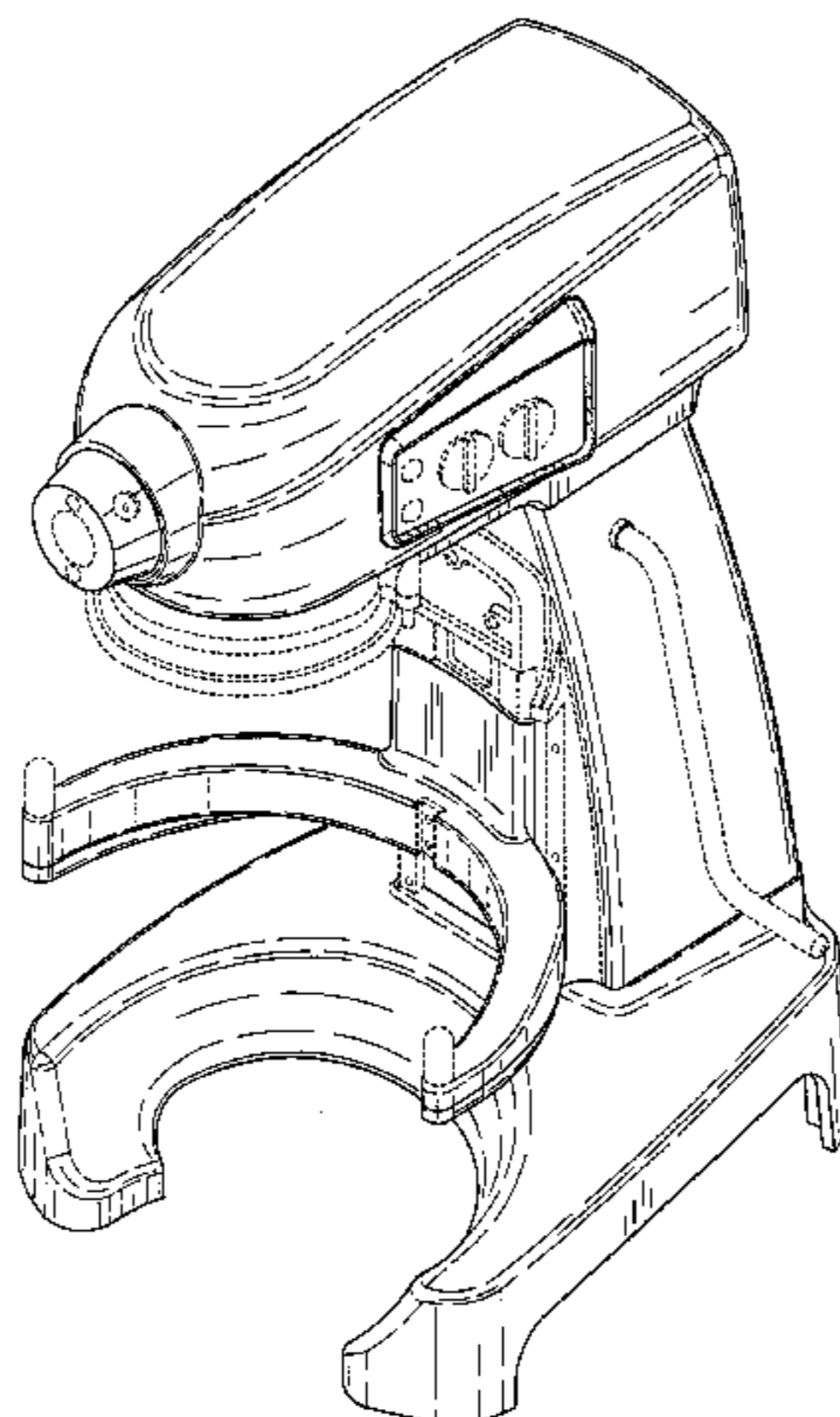
The ornamental design for a mixer, as shown and described.

DESCRIPTION

FIG. 1 is a perspective view of a mixer;
FIG. 2 is a front elevation view of the mixer of FIG. 1;
FIG. 3 is a left elevation view of the mixer of FIG. 1;
FIG. 4 is a rear elevation view of the mixer of FIG. 1;
FIG. 5 is a right elevation view of the mixer of FIG. 1; and,
FIG. 6 is a top view of the mixer of FIG. 1.
The broken lines shown in FIGS. 1-6 are for illustrative purposes only and form no part of the claimed design.

(Continued)

1 Claim, 6 Drawing Sheets



US D540,113 S

Page 2

U.S. PATENT DOCUMENTS

4,900,160	A	*	2/1990	Brooks et al.	366/347			
D322,010	S	*	12/1991	Doggett	D7/379			
D362,994	S		10/1995	Rateman et al.					
5,472,276	A	*	12/1995	Ratermann et al.	366/203			
D378,560	S	*	3/1997	Myers et al.	D7/379			
5,660,469	A	*	8/1997	Seguin	366/347			
D394,781	S	*	6/1998	Doggett	D7/379			
5,758,963	A		6/1998	Xie et al.					
D400,759	S	*	11/1998	Doggett	D7/379			
5,860,738	A		1/1999	Brinkman					
D416,752	S	*	11/1999	Leverrier	D7/379			
6,068,398	A		5/2000	Lin					
D436,497	S	*	1/2001	Nalbandian	D7/379			
D459,145	S	*	6/2002	Short	D7/379			
6,435,708	B1		8/2002	Huang					
6,494,610	B1		12/2002	Brunswick					
D468,581	S	*	1/2003	Short	D7/379			
D470,717	S	*	2/2003	Kaiser	D7/379			
D482,564	S		11/2003	Short					
D490,271	S		5/2004	Short					
D499,604	S	*	12/2004	Hooper et al.	D7/379			
6,883,959	B2	*	4/2005	Donthnier et al.	366/203			
6,953,278	B2	*	10/2005	Short et al.	366/206			
2002/0181322	A1		12/2002	Brunswick et al.					

* cited by examiner

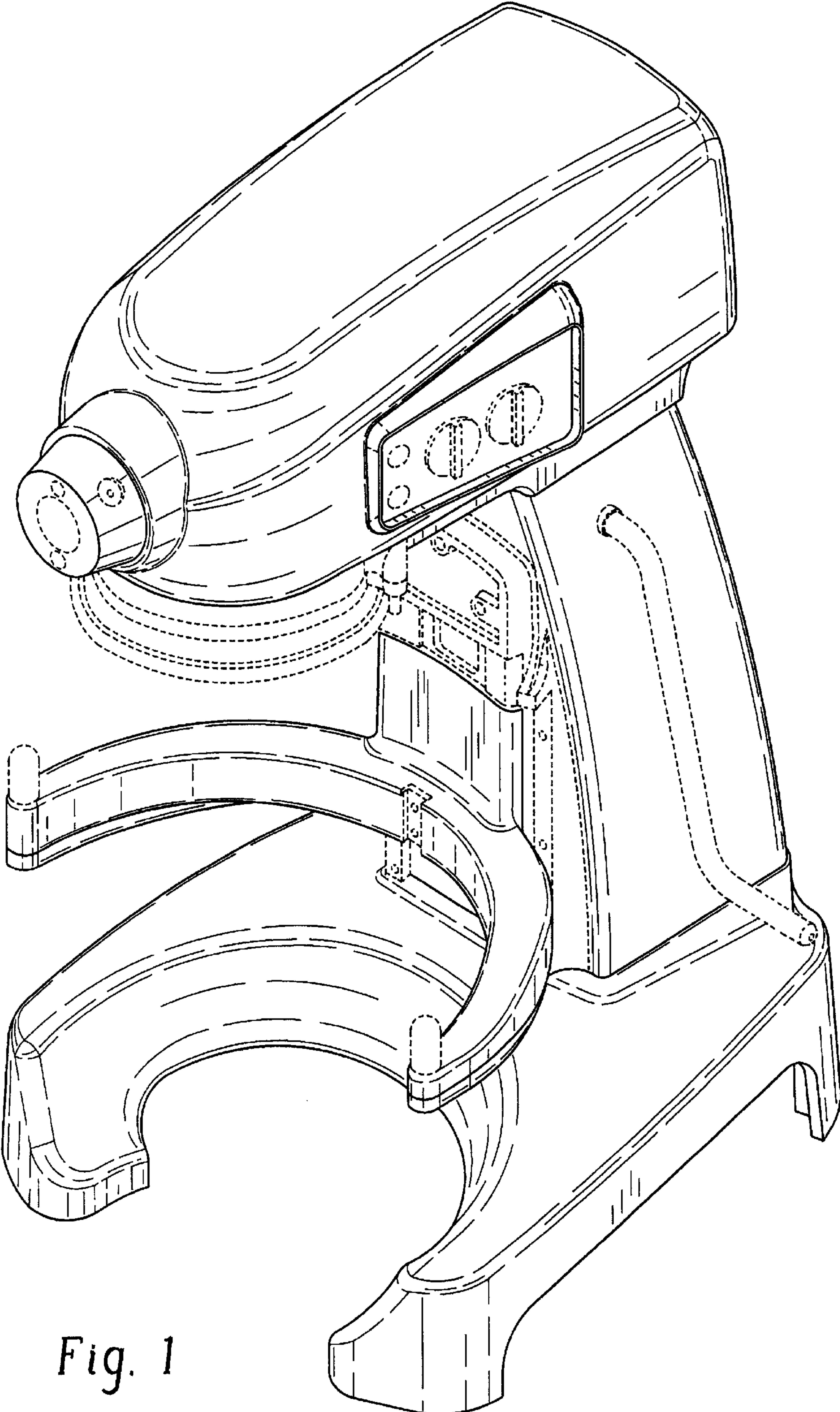


Fig. 1

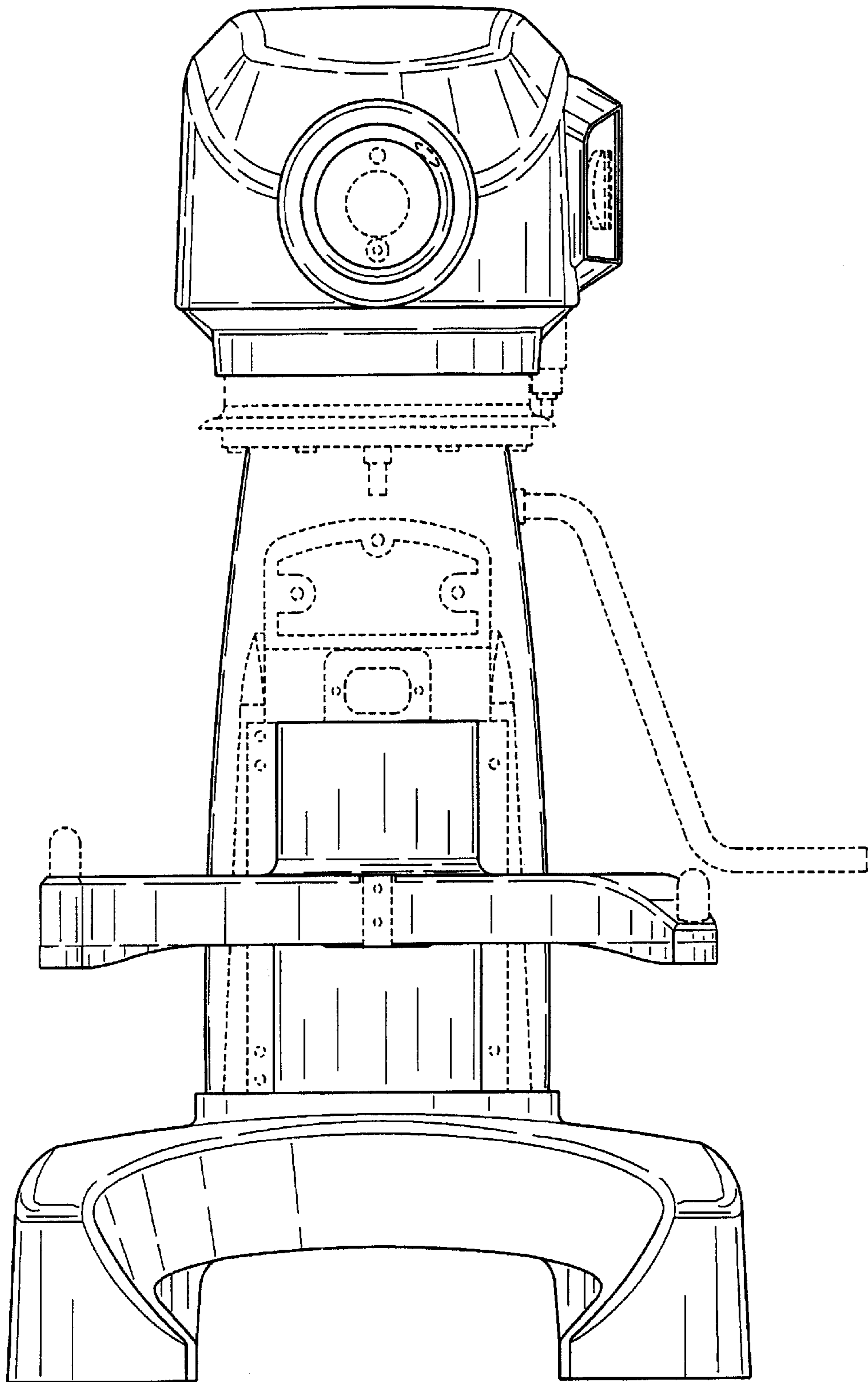


Fig. 2

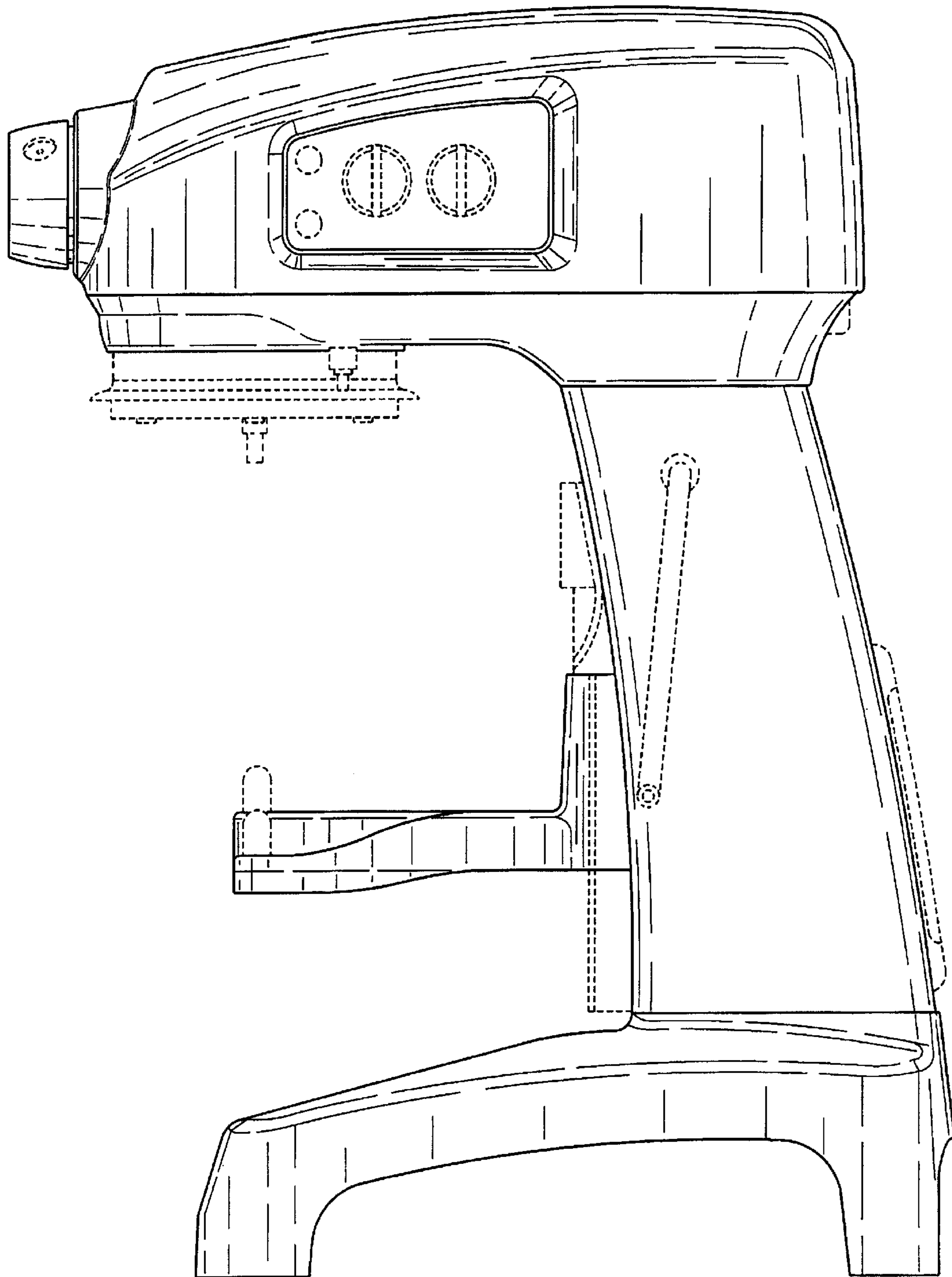


Fig. 3

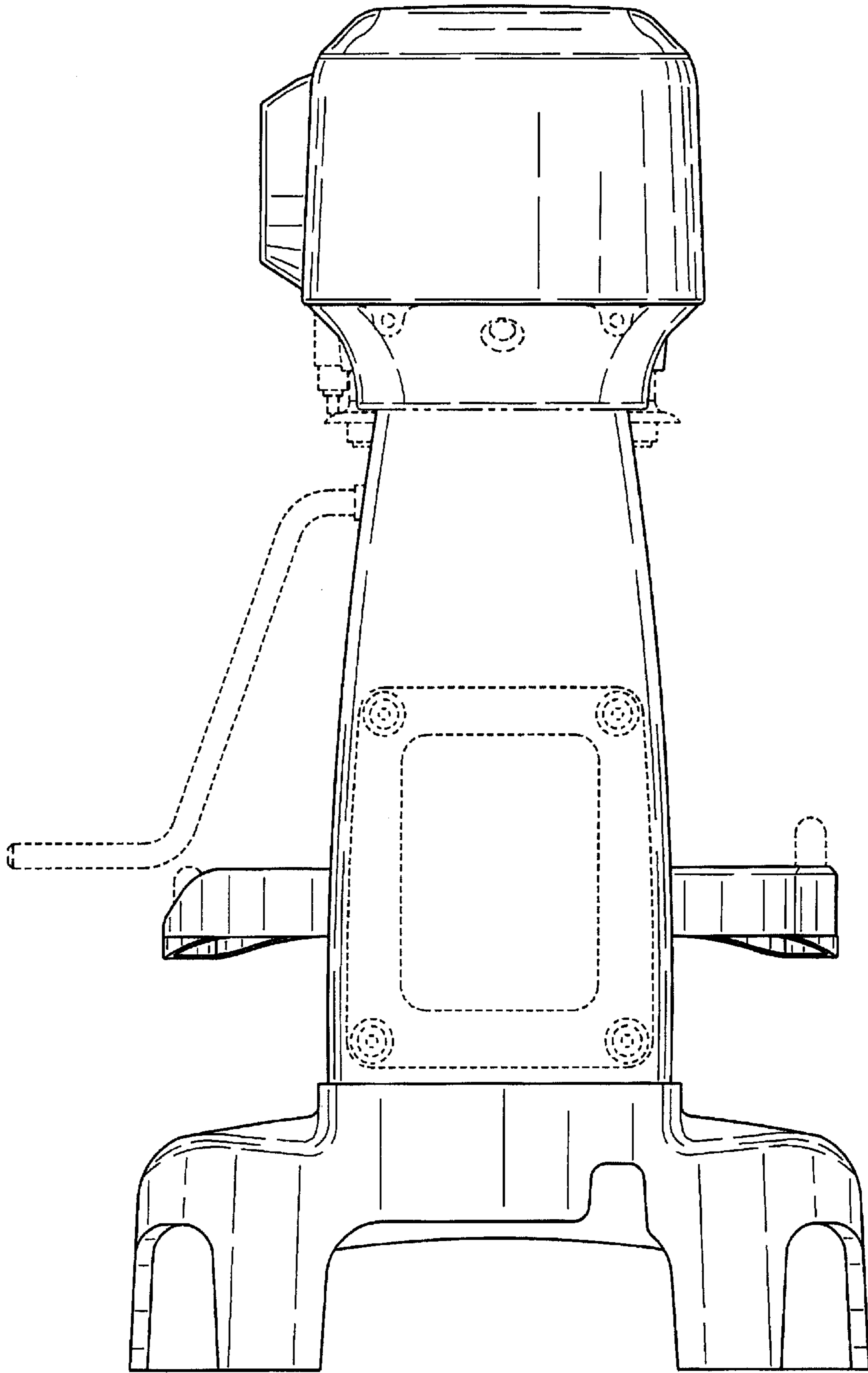


Fig. 4

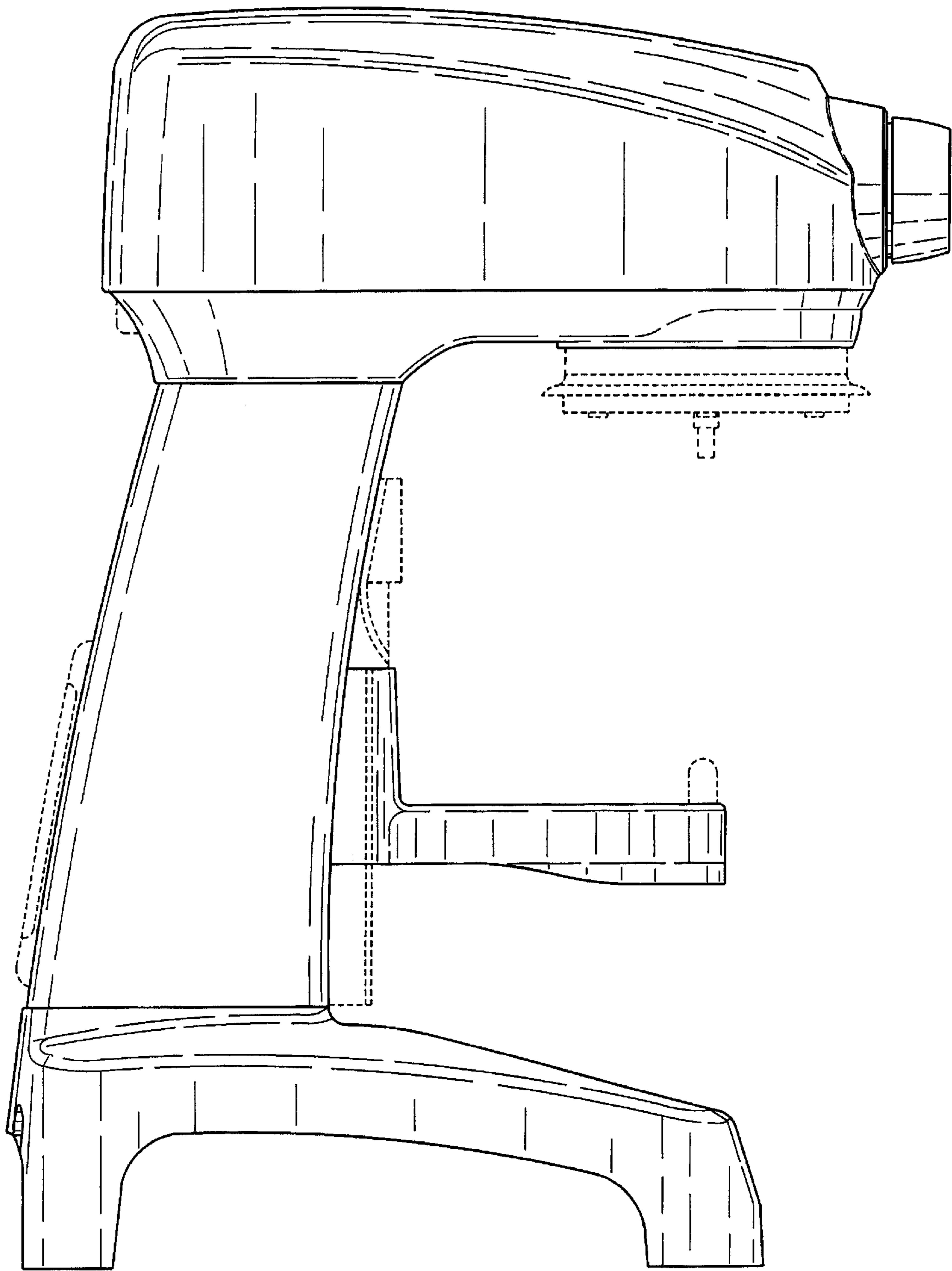


Fig. 5

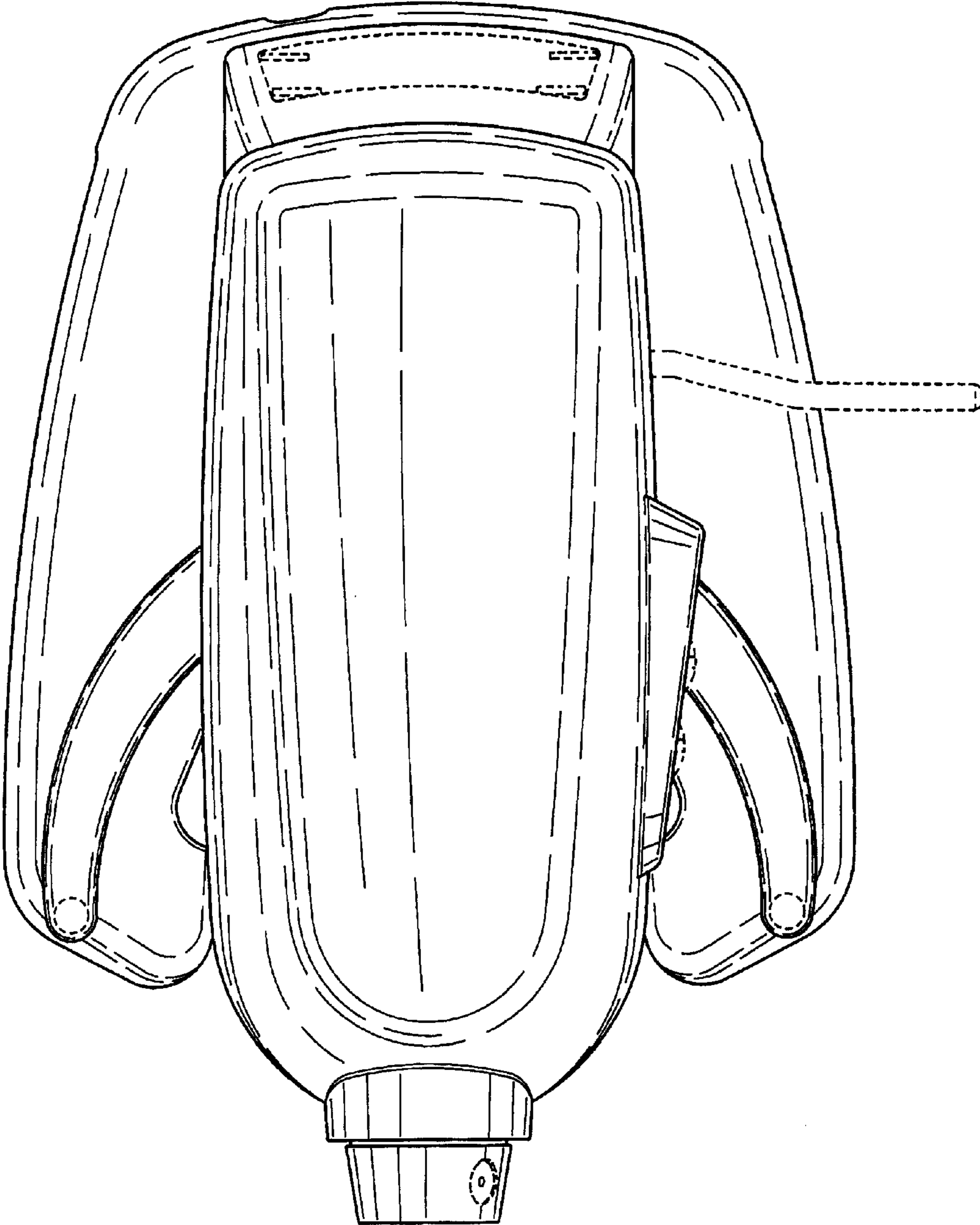


Fig. 6

UNITED STATES PATENT AND TRADEMARK OFFICE
CERTIFICATE OF CORRECTION

PATENT NO. : Des. 540,113 S
APPLICATION NO. : 29/216770
DATED : April 10, 2007
INVENTOR(S) : Ellis G. Short et al.

Page 1 of 1

It is certified that error appears in the above-identified patent and that said Letters Patent is hereby corrected as shown below:

Title Page, Item (75) Inventors:

Third Inventor's surname "Castro", should read -- Casto --.

Signed and Sealed this

Twenty-seventh Day of November, 2007

A handwritten signature in black ink on a dotted background. The signature reads "Jon W. Dudas" in a cursive style.

JON W. DUDAS

Director of the United States Patent and Trademark Office