



US00D540109S

(12) **United States Design Patent**
Dreimann et al.

(10) **Patent No.:** **US D540,109 S**

(45) **Date of Patent:** **** *Apr. 10, 2007**

- (54) **GRILL WITH BUN WARMER**
- (75) Inventors: **Leonhard Dreimann**, Lake Forest, IL (US); **Guillaume Jean Since**, Kowloon (HK); **Bert Doormalen**, Kowloon (HK)
- (73) Assignee: **Salton, Inc.**, Lake Forest, IL (US)
- (*) Notice: This patent is subject to a terminal disclaimer.
- (**) Term: **14 Years**

6,397,733 B1	*	6/2002	Lin	99/375
D462,228 S	*	9/2002	Wu	D7/352
D462,229 S	*	9/2002	Wu	D7/352
D462,566 S	*	9/2002	Wu	D7/352
D463,950 S	*	10/2002	Wu	D7/352
D464,230 S	*	10/2002	Wu	D7/352
D473,417 S	*	4/2003	Martres	D7/352
D475,237 S	*	6/2003	Lin	D7/352
D493,663 S	*	8/2004	Lin et al.	D7/347
D494,407 S	*	8/2004	Lin et al.	D7/347
D509,704 S	*	9/2005	To	D7/352

* cited by examiner

- (21) Appl. No.: **29/225,789**
- (22) Filed: **Mar. 18, 2005**

Primary Examiner—Caron D. Veynar
Assistant Examiner—Ricky Pham
 (74) *Attorney, Agent, or Firm*—Sonnenchein Nath & Rosenthal LLP

- (51) **LOC (8) Cl.** **07-02**
- (52) **U.S. Cl.** **D7/352**
- (58) **Field of Classification Search** D7/323, D7/328-332, 334-339, 352-363; 99/219, 99/331, 339, 349, 369, 372-375, 385, 386, 99/389, 425, 444, 446, 466, 601, 618, 620; 219/524, 525, 620-622, 732-734; D21/525
See application file for complete search history.

(57) **CLAIM**

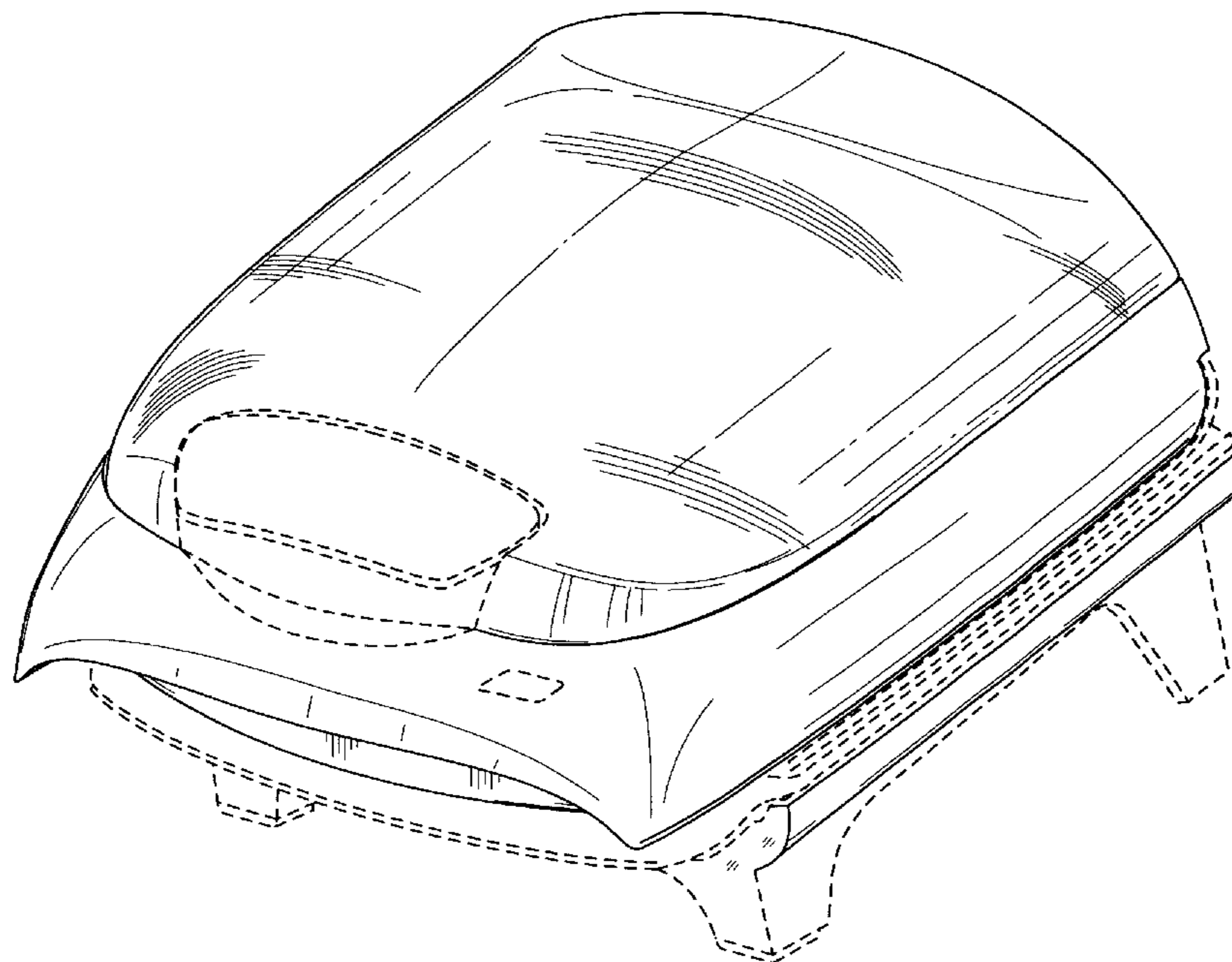
The ornamental design for a grill with bun warmer, as shown and described.

DESCRIPTION

FIG. 1 is a perspective view of a grill with bun warmer embodying our new design;
 FIG. 2 is a right side elevational view thereof; the left side being a mirror image.
 FIG. 3 is a top plan view thereof;
 FIG. 4 is a front perspective view thereof;
 FIG. 5 is a rear elevational view thereof;
 FIG. 6 is a bottom perspective view thereof; and
 FIG. 7 is a front perspective view thereof with the top opened.
 The broken lines shown are for illustrative purposes only and form no part of the claimed design.

- (56) **References Cited**
- U.S. PATENT DOCUMENTS
- D367,993 S * 3/1996 McClean D7/352
- 5,845,562 A * 12/1998 Deni et al. 99/375
- 5,848,567 A * 12/1998 Chiang 99/375
- D405,312 S * 2/1999 Hoare D7/352
- D413,760 S * 9/1999 Tsai et al. D7/352
- 6,016,741 A * 1/2000 Tsai et al. 99/341
- D446,074 S * 8/2001 Barker D7/352
- D446,679 S * 8/2001 Lin D7/352
- D450,977 S * 11/2001 Lin D7/352

1 Claim, 6 Drawing Sheets



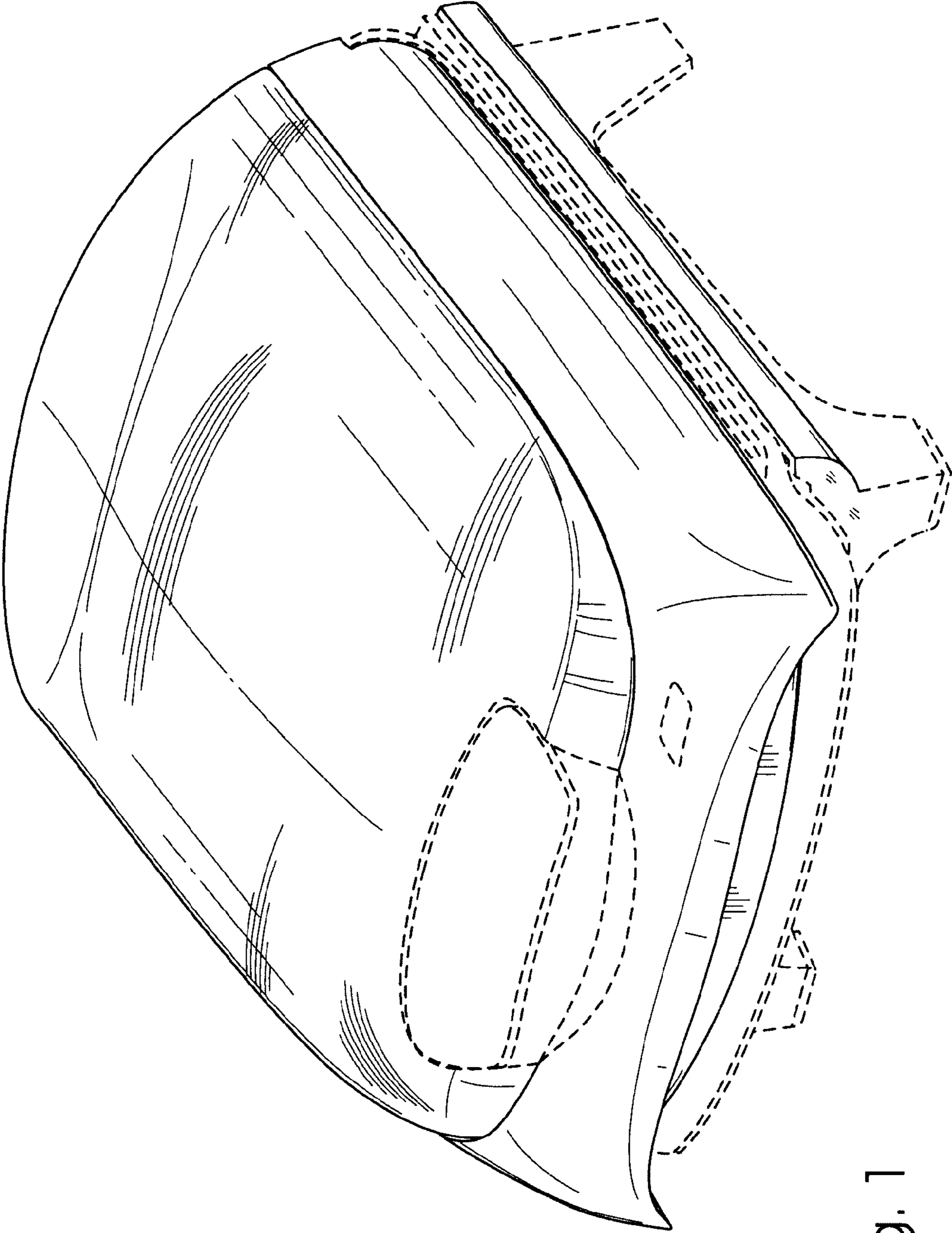


Fig. 1



Fig. 2

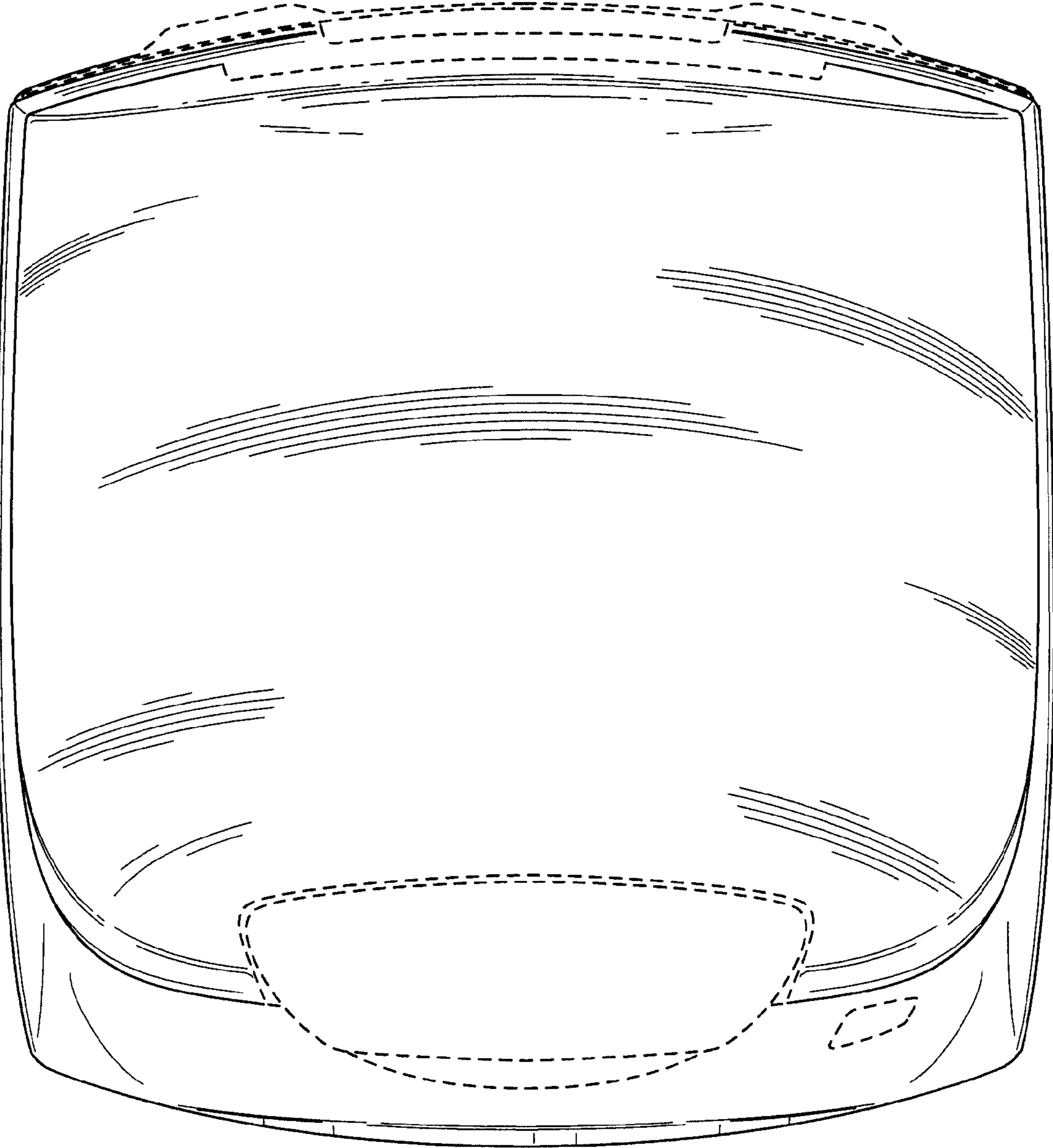


Fig. 3

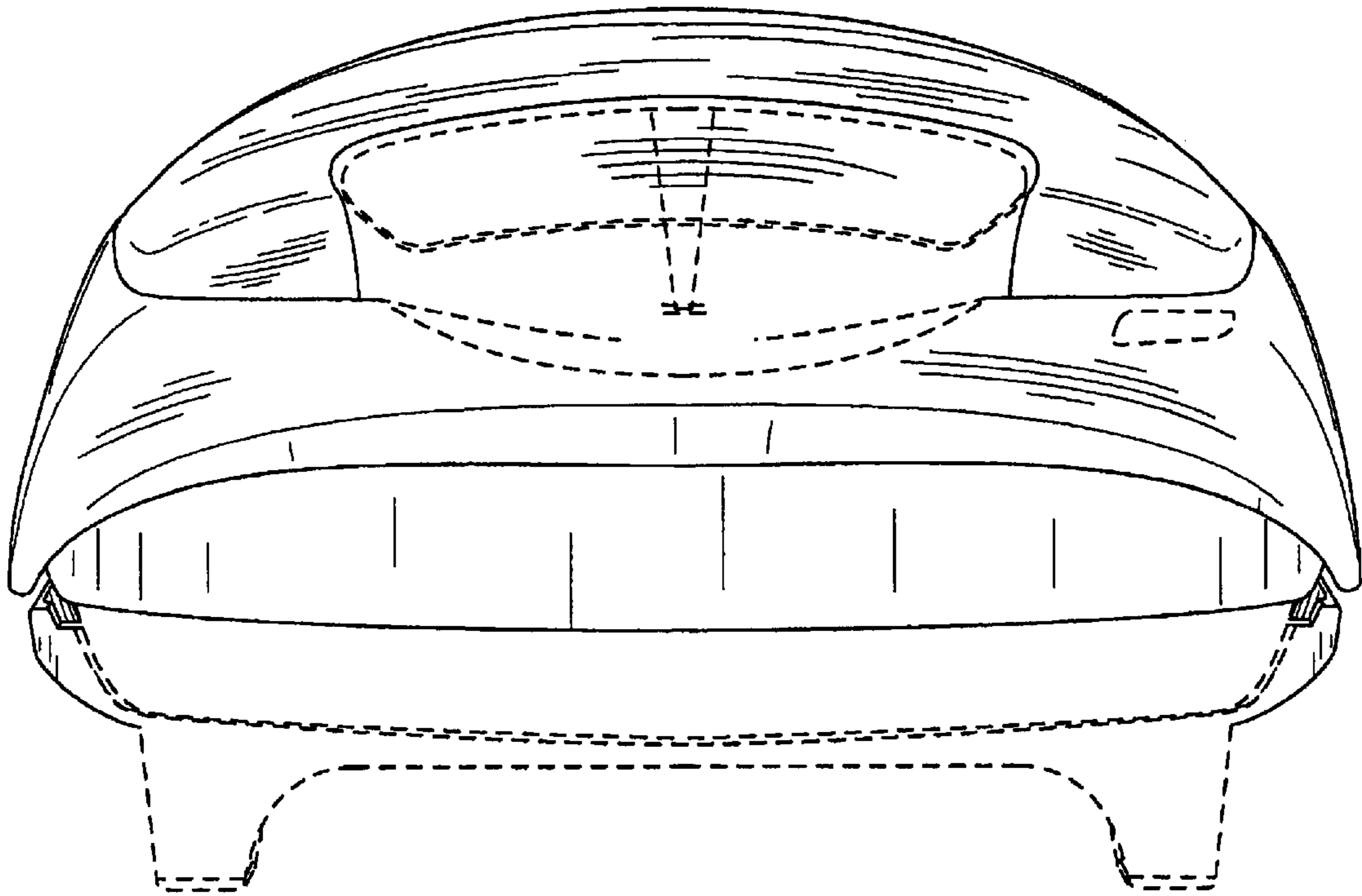


Fig. 4

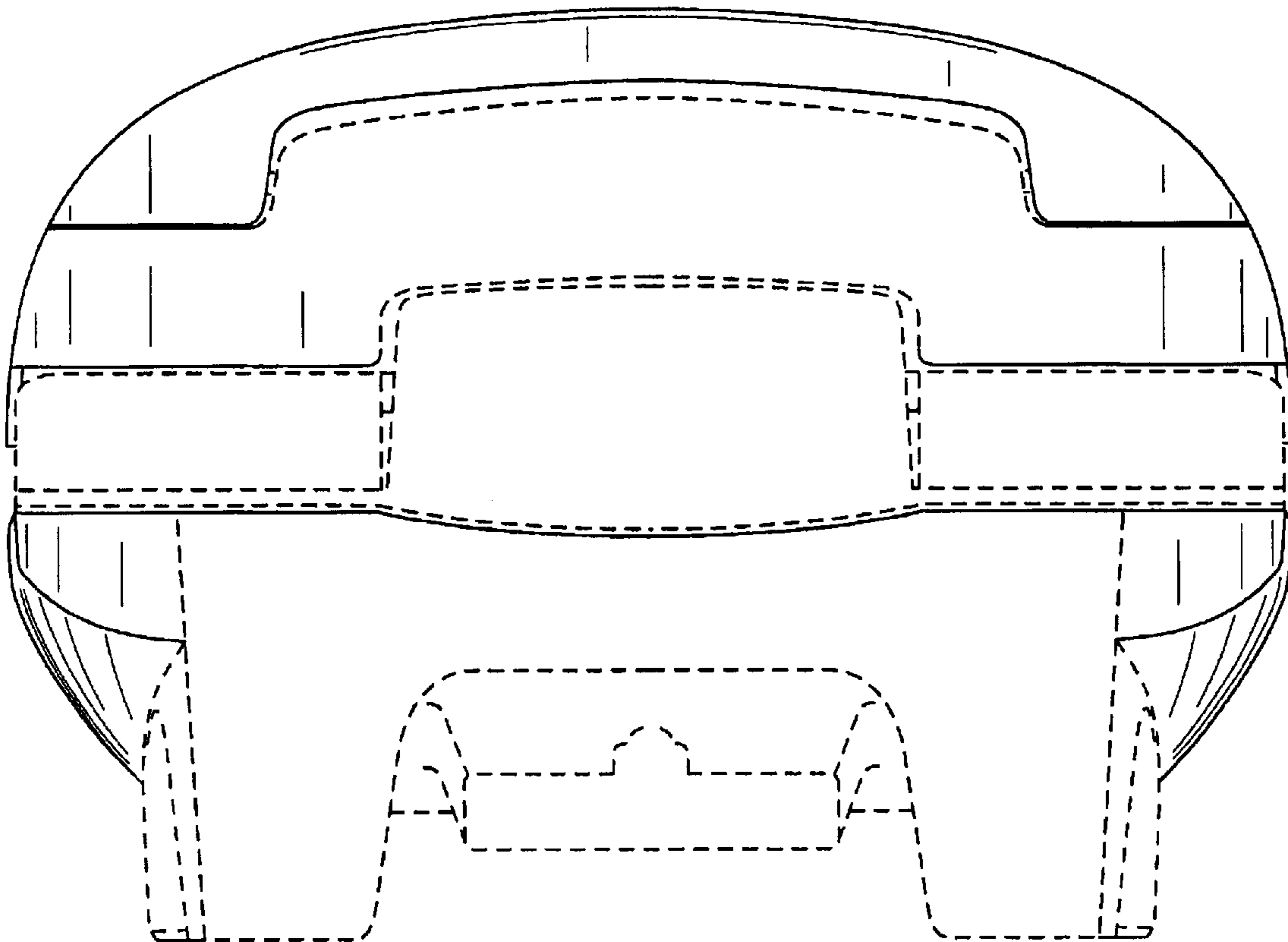


Fig. 5

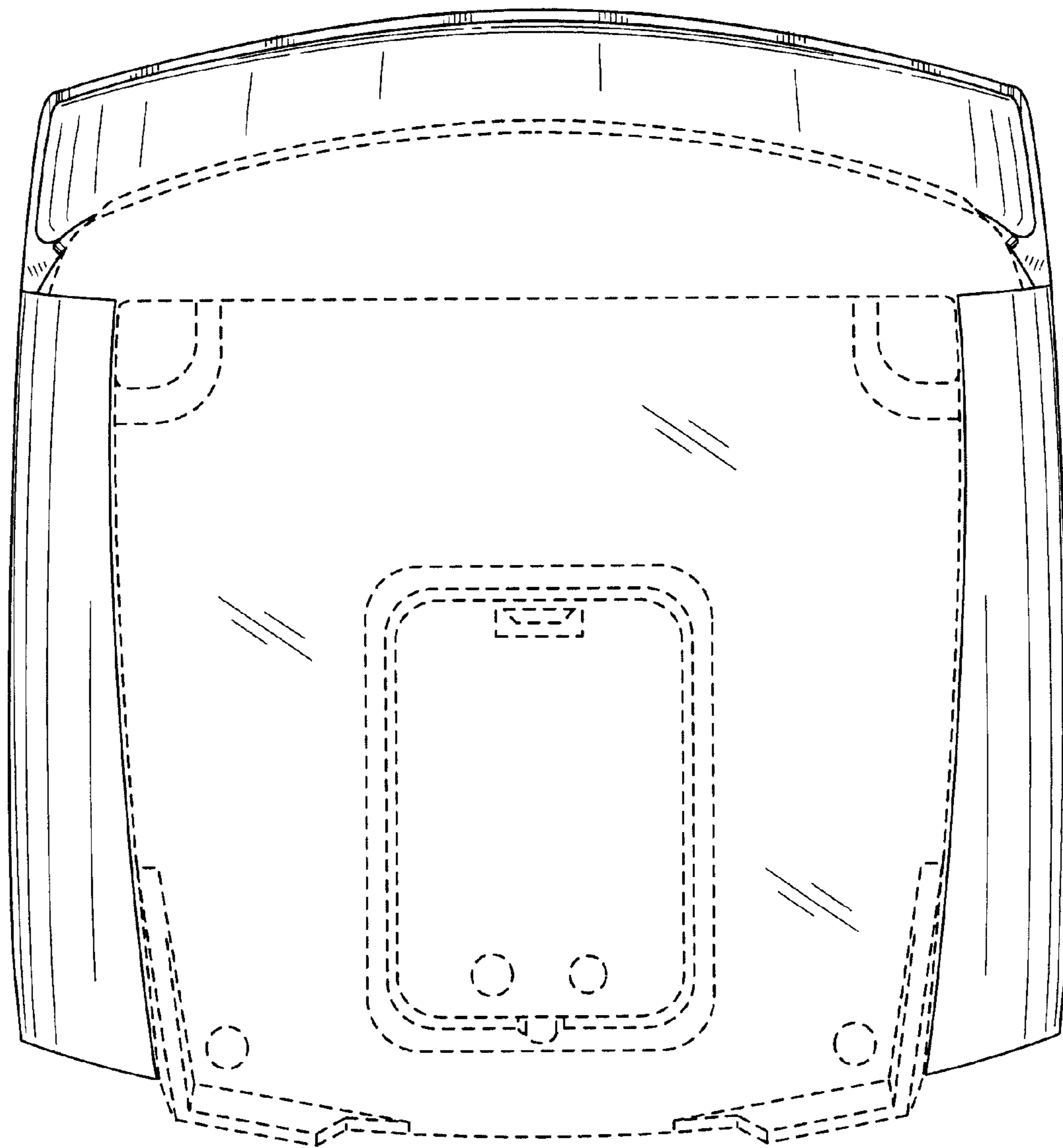


Fig. 6

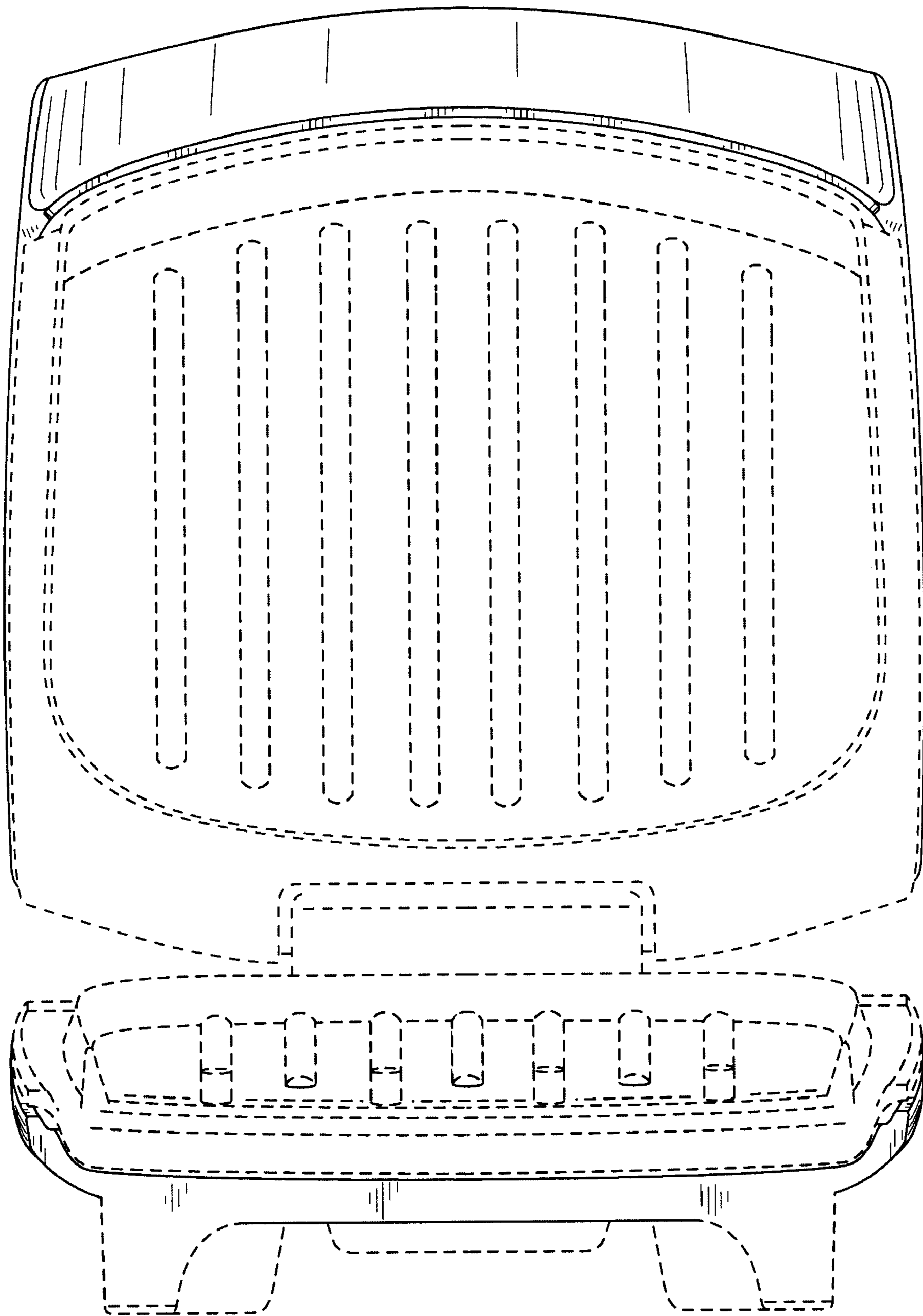


Fig. 7