

US00D540108S

(12) **United States Design Patent**
Kim

(10) **Patent No.:** **US D540,108 S**

(45) **Date of Patent:** **** Apr. 10, 2007**

(54) **MICROWAVE OVEN**

(75) Inventor: **Tae Kyung Kim**, Seoul (KR)

(73) Assignee: **Samsung Electronics Co., Ltd.** (KR)

(**) Term: **14 Years**

(21) Appl. No.: **29/257,191**

(22) Filed: **Mar. 30, 2006**

(30) **Foreign Application Priority Data**

Dec. 2, 2005 (KR) 30-2005-0040646

(51) **LOC (8) Cl.** **07-02**

(52) **U.S. Cl.** **D7/351**

(58) **Field of Classification Search** D7/350.1,
D7/350.3, 350.4, 351, 402-403, 405-406;
126/19 M, 275 E, 273 A; 219/756-758, 391,
219/402, 393; 99/DIG. 14
See application file for complete search history.

(56) **References Cited**

U.S. PATENT DOCUMENTS

D305,597 S * 1/1990 Yoo D7/351
D329,164 S * 9/1992 Edman D7/351

D338,801 S * 8/1993 Hessen et al. D7/351
D364,311 S * 11/1995 Kim D7/351
D370,824 S * 6/1996 Kim D7/351
D373,925 S * 9/1996 Kim D7/351
D442,018 S * 5/2001 Kusachi et al. D7/351
D452,410 S * 12/2001 Ichimura D7/351
D460,659 S * 7/2002 Hessen et al. D7/351
D522,800 S * 6/2006 Lee et al. D7/351

* cited by examiner

Primary Examiner—Ruth McInroy

(74) *Attorney, Agent, or Firm*—Irving Keschner

(57) **CLAIM**

The ornamental design for microwave oven, as shown.

DESCRIPTION

FIG. 1 is a perspective view of a microwave oven showing my new design;
FIG. 2 is a front elevational view thereof;
FIG. 3 is a rear elevational view thereof;
FIG. 4 is a left side elevational view thereof;
FIG. 5 is a right side elevational view thereof;
FIG. 6 is a top plan view thereof; and,
FIG. 7 is a bottom plan view thereof.

1 Claim, 4 Drawing Sheets

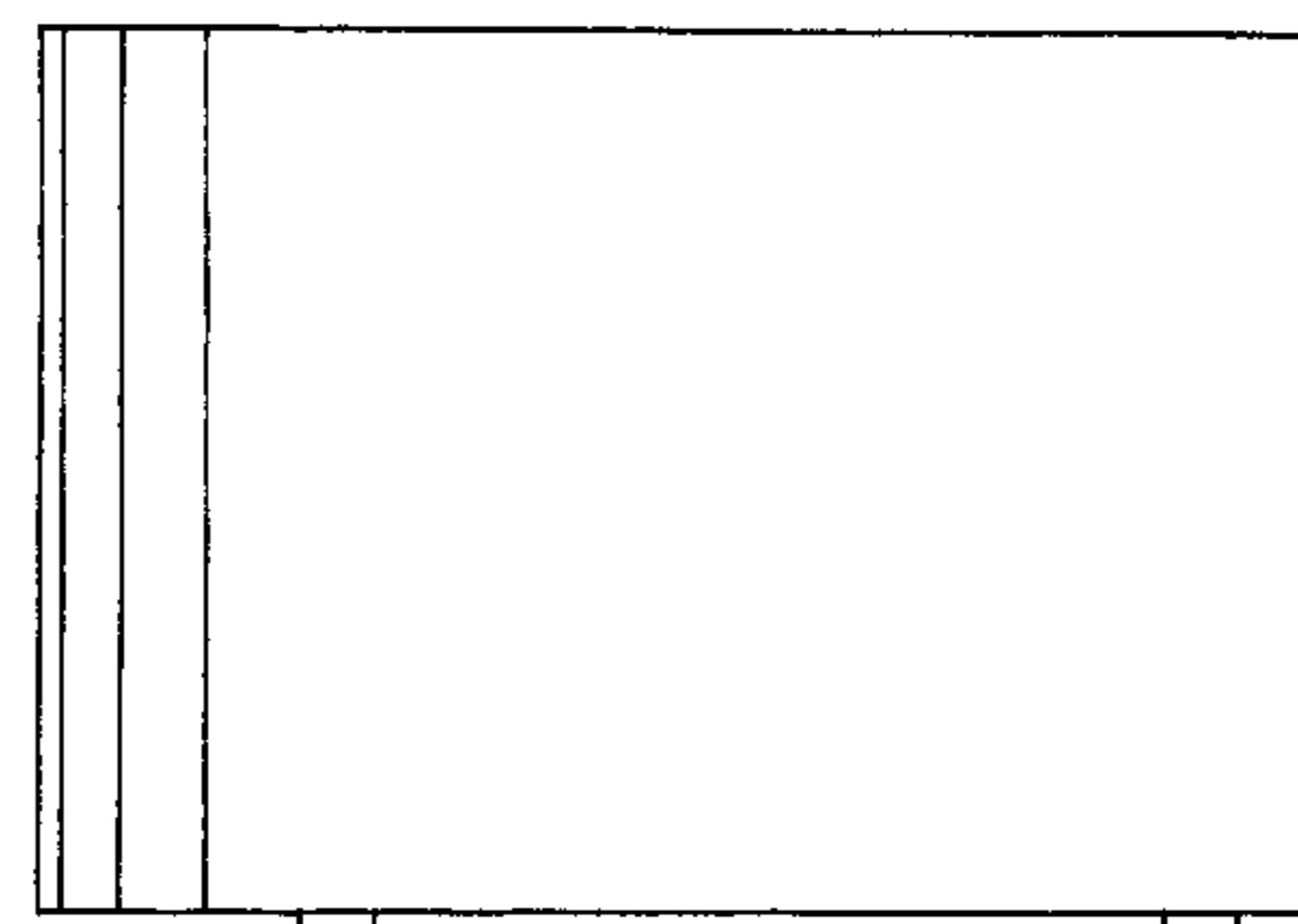
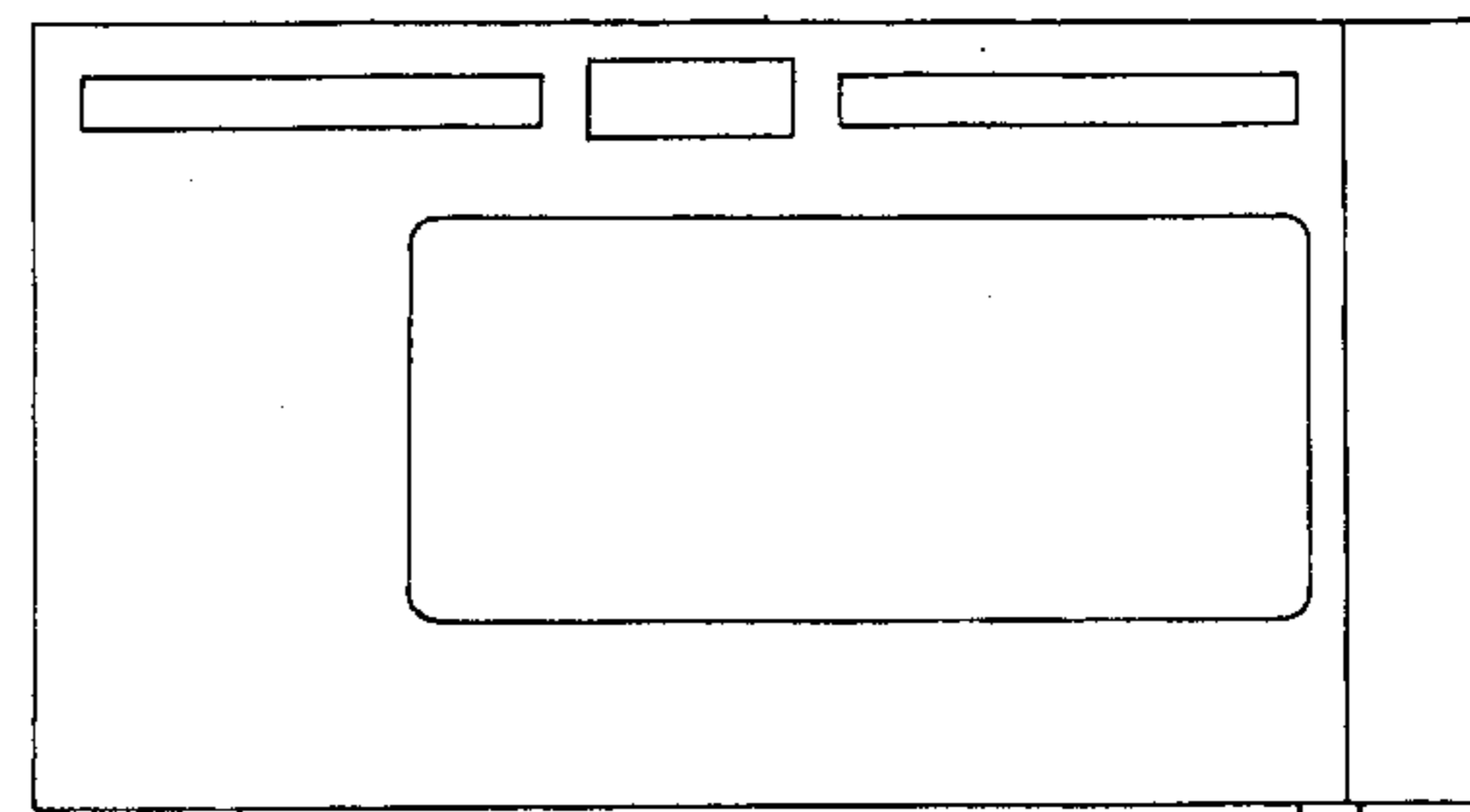
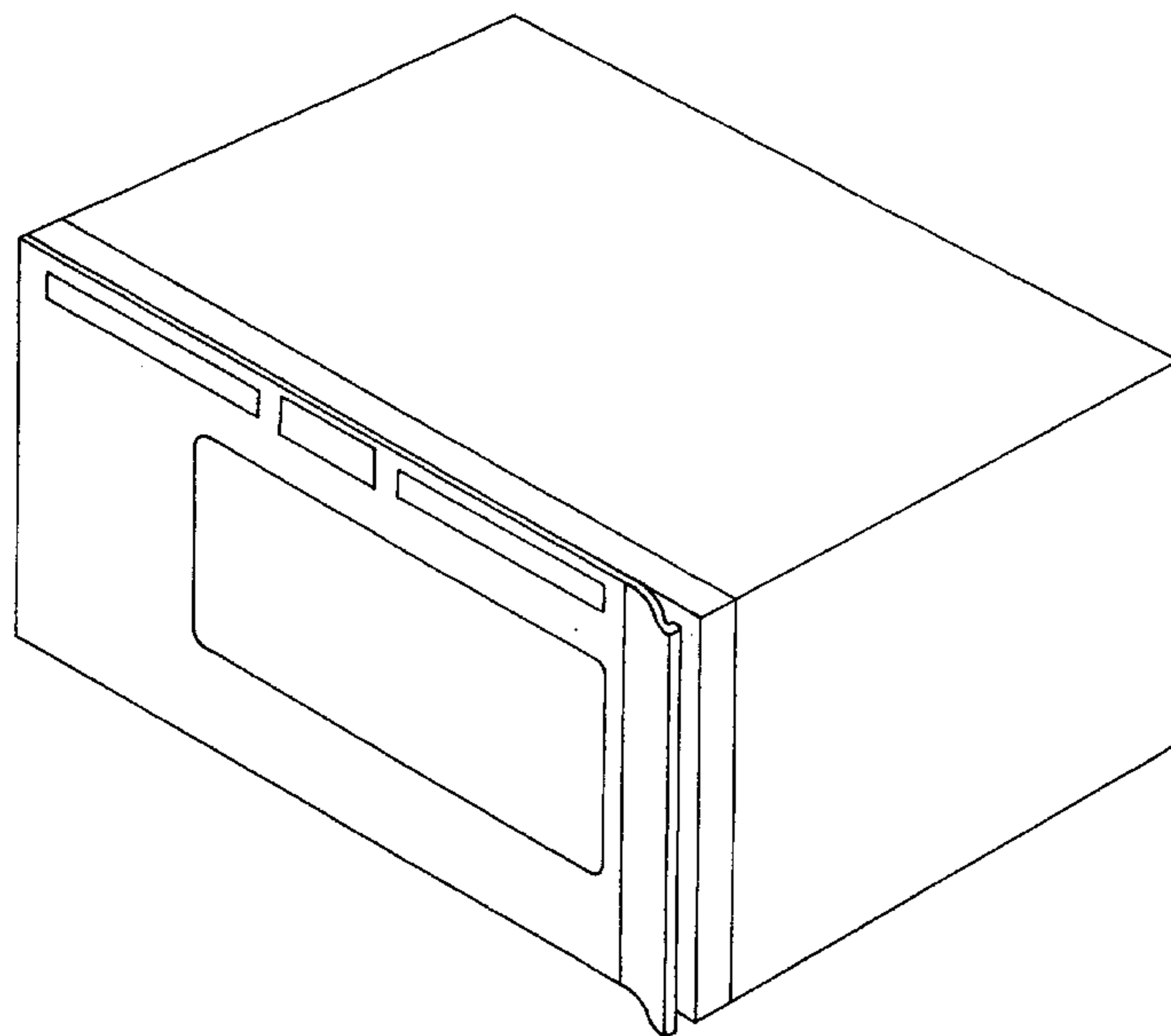


FIG. 1

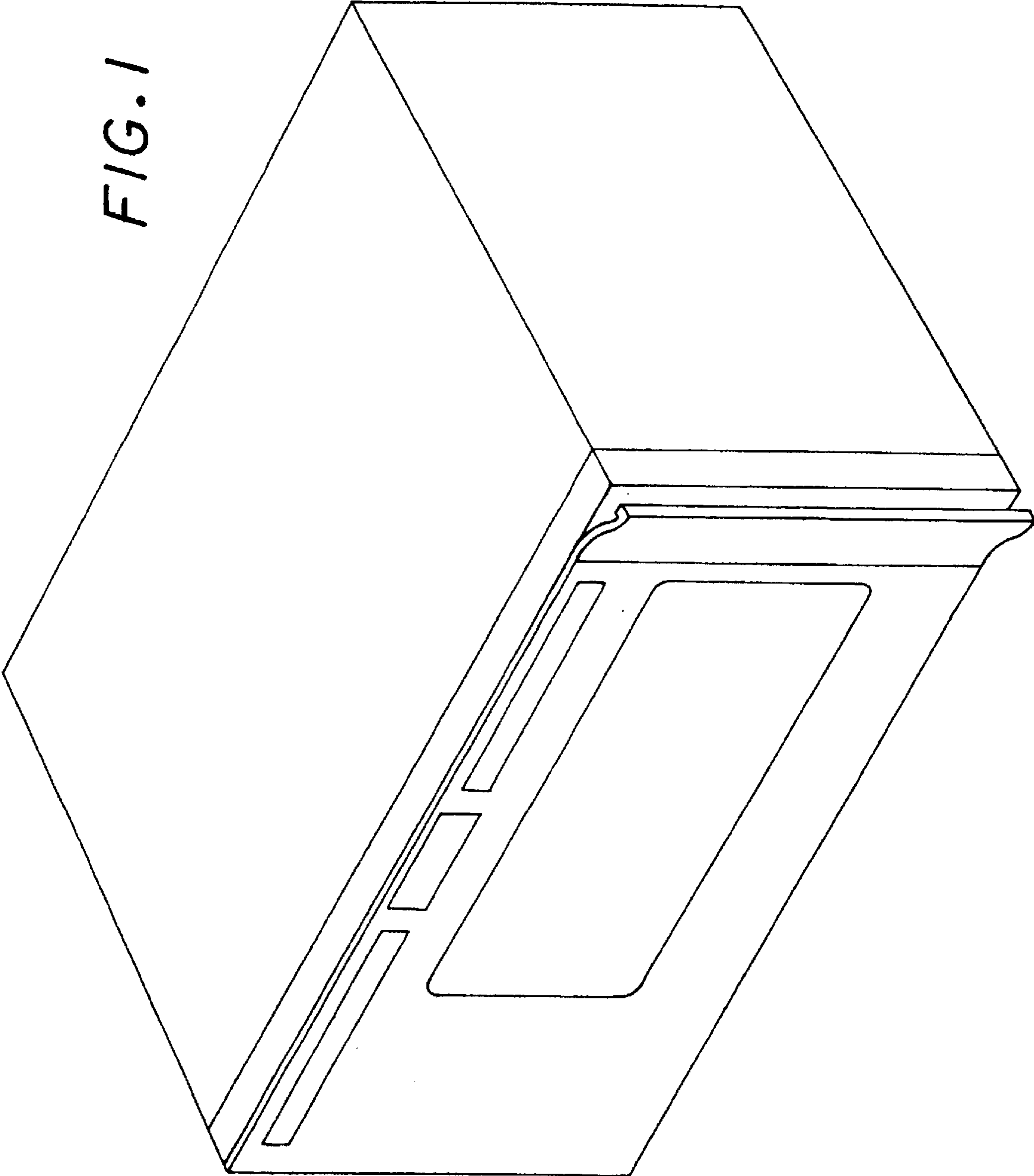


FIG. 2

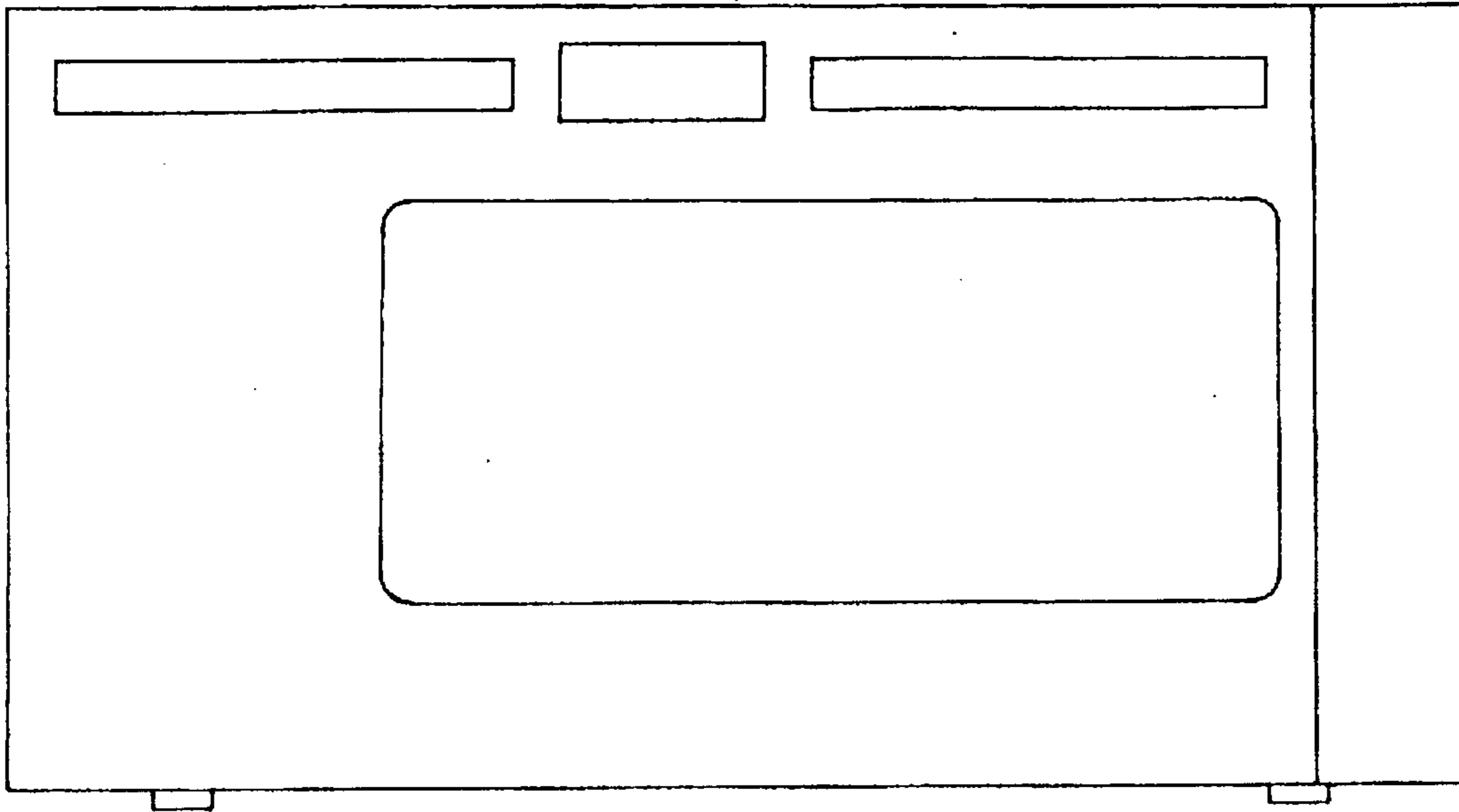


FIG. 3

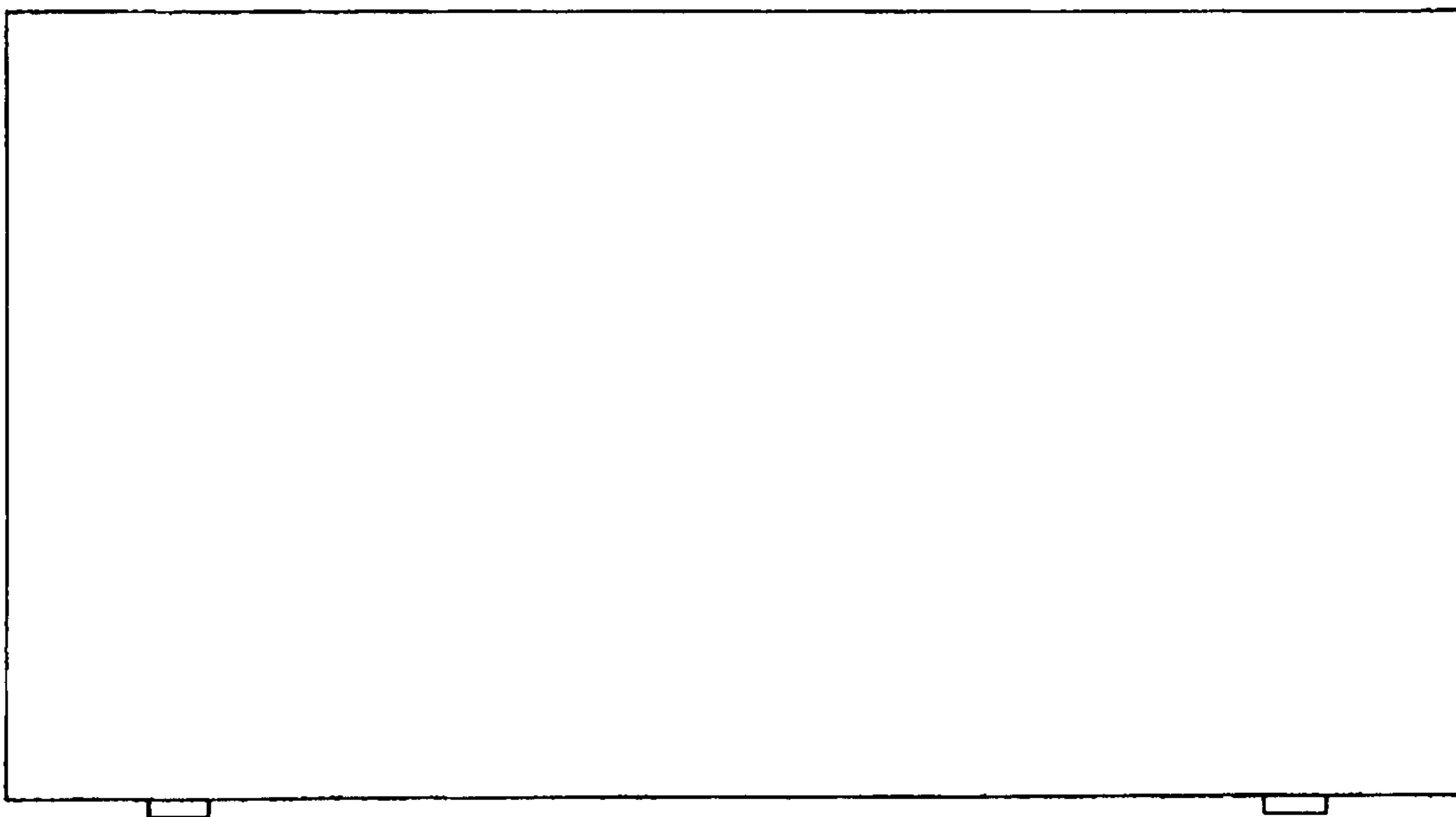


FIG. 4

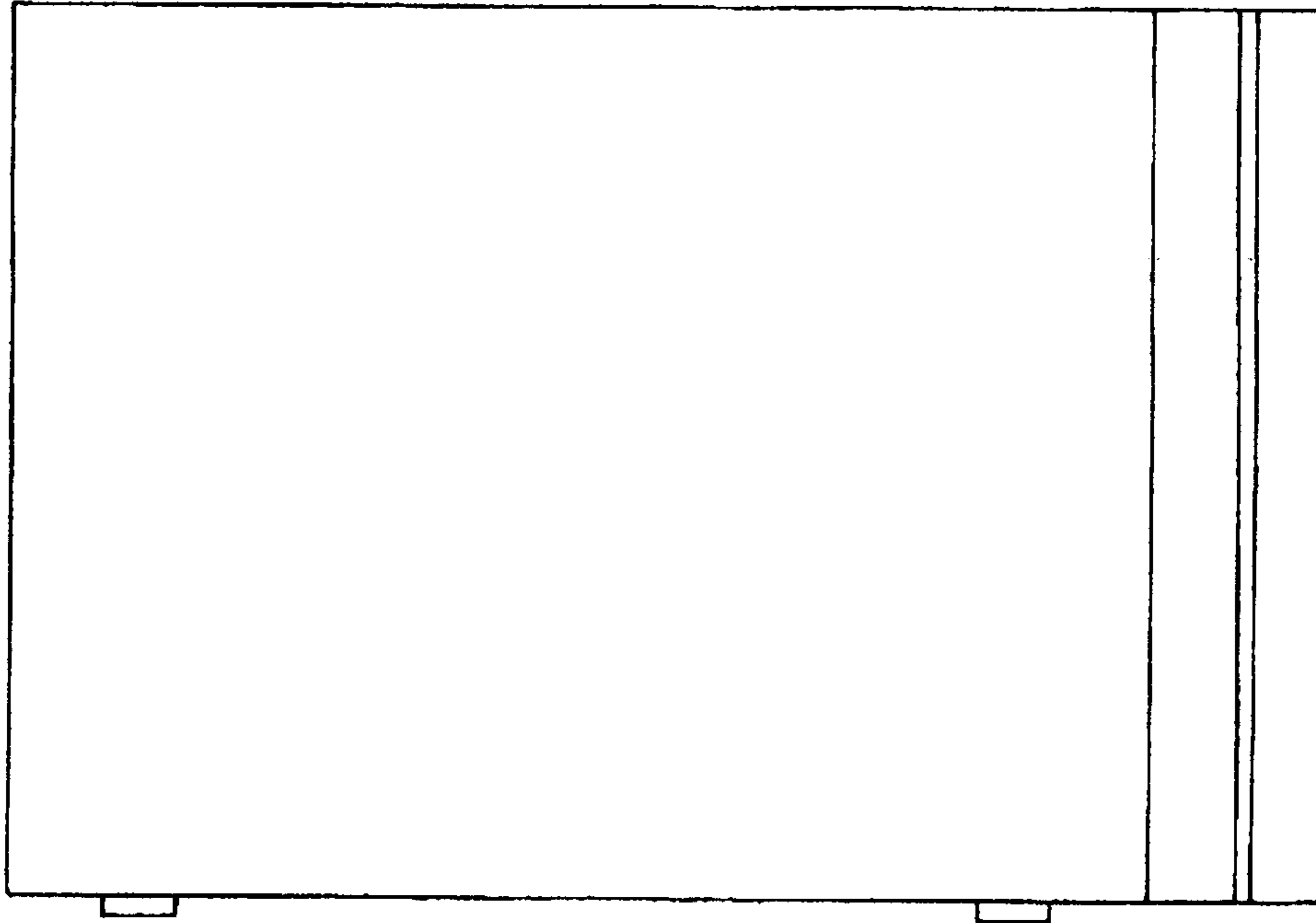


FIG. 5

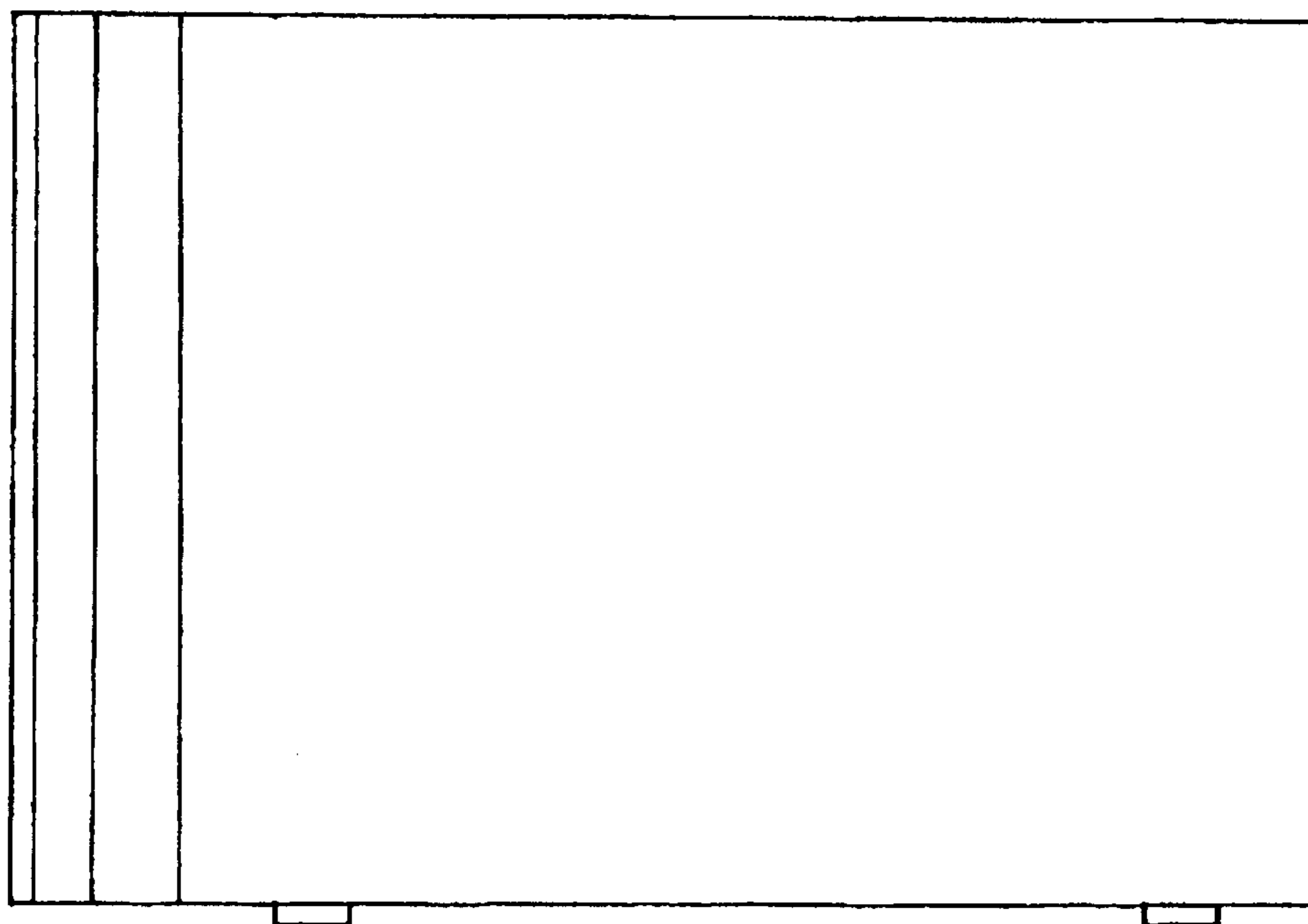


FIG. 6

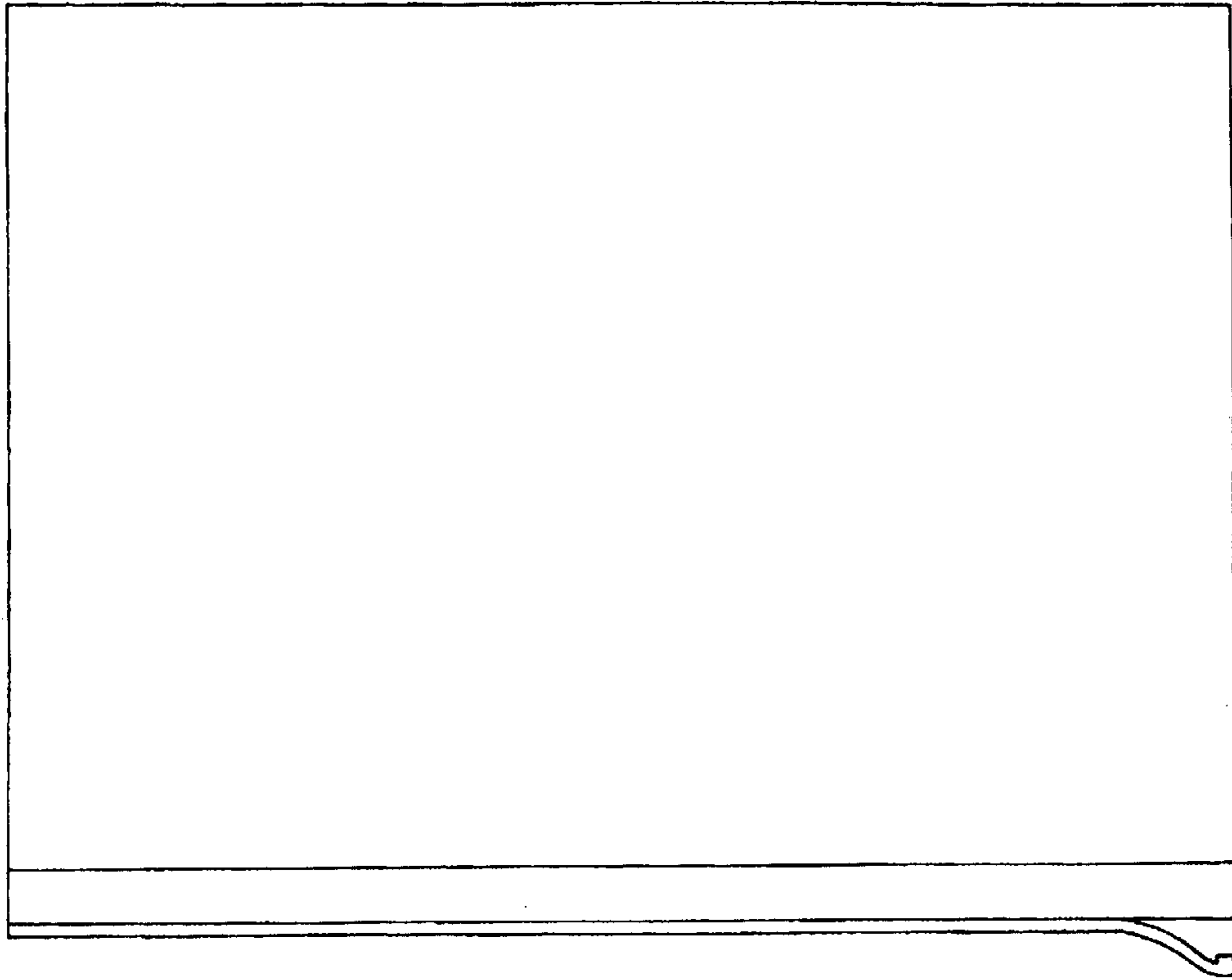


FIG. 7

