

US00D540107S

(12) **United States Design Patent**  
**Jeon**

(10) **Patent No.:** **US D540,107 S**

(45) **Date of Patent:** **\*\* \*Apr. 10, 2007**

(54) **MICROWAVE OVEN**

(75) Inventor: **Sei Ill Jeon**, Kyunggi-Do (KR)

(73) Assignee: **Samsung Electronics Co., Ltd.** (KR)

(\*) Notice: This patent is subject to a terminal disclaimer.

(\*\*) Term: **14 Years**

(21) Appl. No.: **29/245,655**

(22) Filed: **Dec. 27, 2005**

(30) **Foreign Application Priority Data**

Sep. 23, 2005 (KR) ..... 30-2005-0032316

(51) **LOC (8) Cl.** ..... **07-02**

(52) **U.S. Cl.** ..... **D7/351**

(58) **Field of Classification Search** ..... D7/350.1,  
D7/350.3, 350.4, 351, 402, 405; 126/19 M,  
126/273 E; 219/739-740, 756-758, 391  
See application file for complete search history.

(56) **References Cited**

**U.S. PATENT DOCUMENTS**

- D385,155 S \* 10/1997 Weiss et al. .... D7/405
- D415,650 S \* 10/1999 Hessen et al. .... D7/351
- D454,029 S \* 3/2002 Noda et al. .... D7/351
- D463,710 S \* 10/2002 Choi ..... D7/351

- D511,267 S \* 11/2005 Pino ..... D7/351
- D518,681 S \* 4/2006 Shin ..... D7/351
- D522,311 S \* 6/2006 Kanza ..... D7/405

\* cited by examiner

*Primary Examiner*—Ruth McInroy

(74) *Attorney, Agent, or Firm*—Irving Keschner

(57) **CLAIM**

The ornamental design for microwave oven, as shown.

**DESCRIPTION**

FIG. 1 is a perspective view of the ornamental design of the present invention;

FIG. 2 is a front elevational view of the ornamental design of the present invention;

FIG. 3 is a rear elevational view of the ornamental design of the present invention;

FIG. 4 is a left side elevational view of the ornamental design of the present invention;

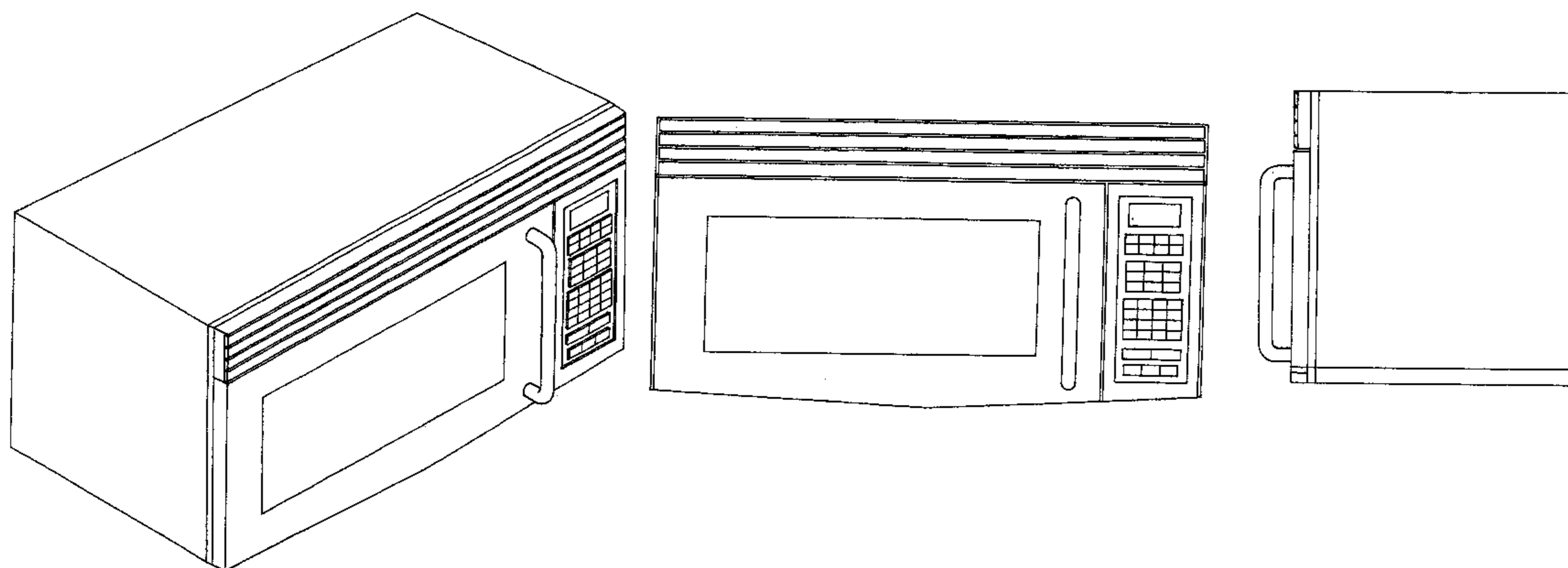
FIG. 5 is a right side elevational view of the ornamental design of the present invention;

FIG. 6 is a top plan view of the ornamental design of the present invention;

FIG. 7 is a bottom view of the ornamental design of the present invention; and,

FIG. 8 is a perspective view of the microwave oven of the present invention illustrating the open outlet enabling heat to escape when cooking is completed.

**1 Claim, 5 Drawing Sheets**



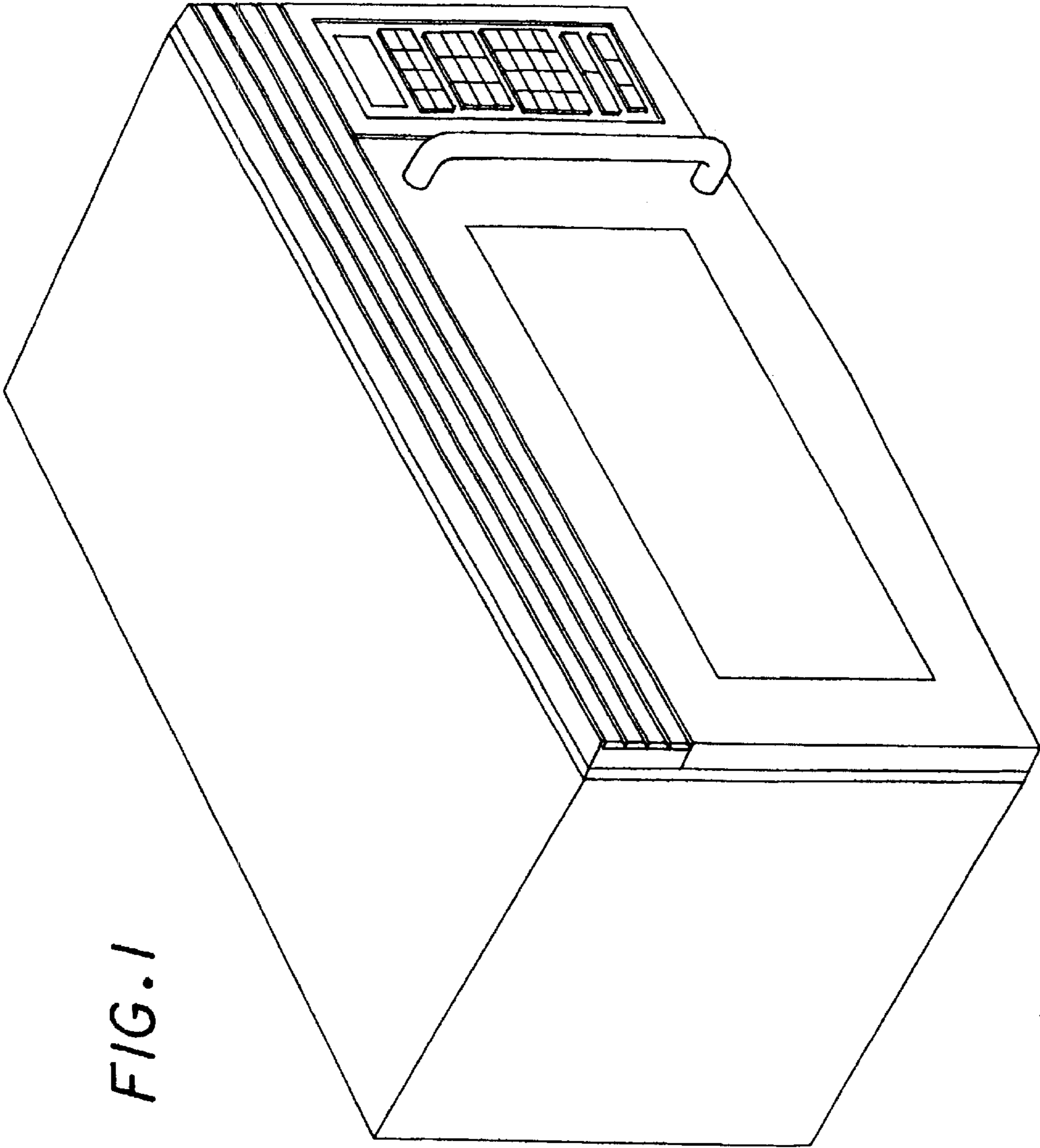
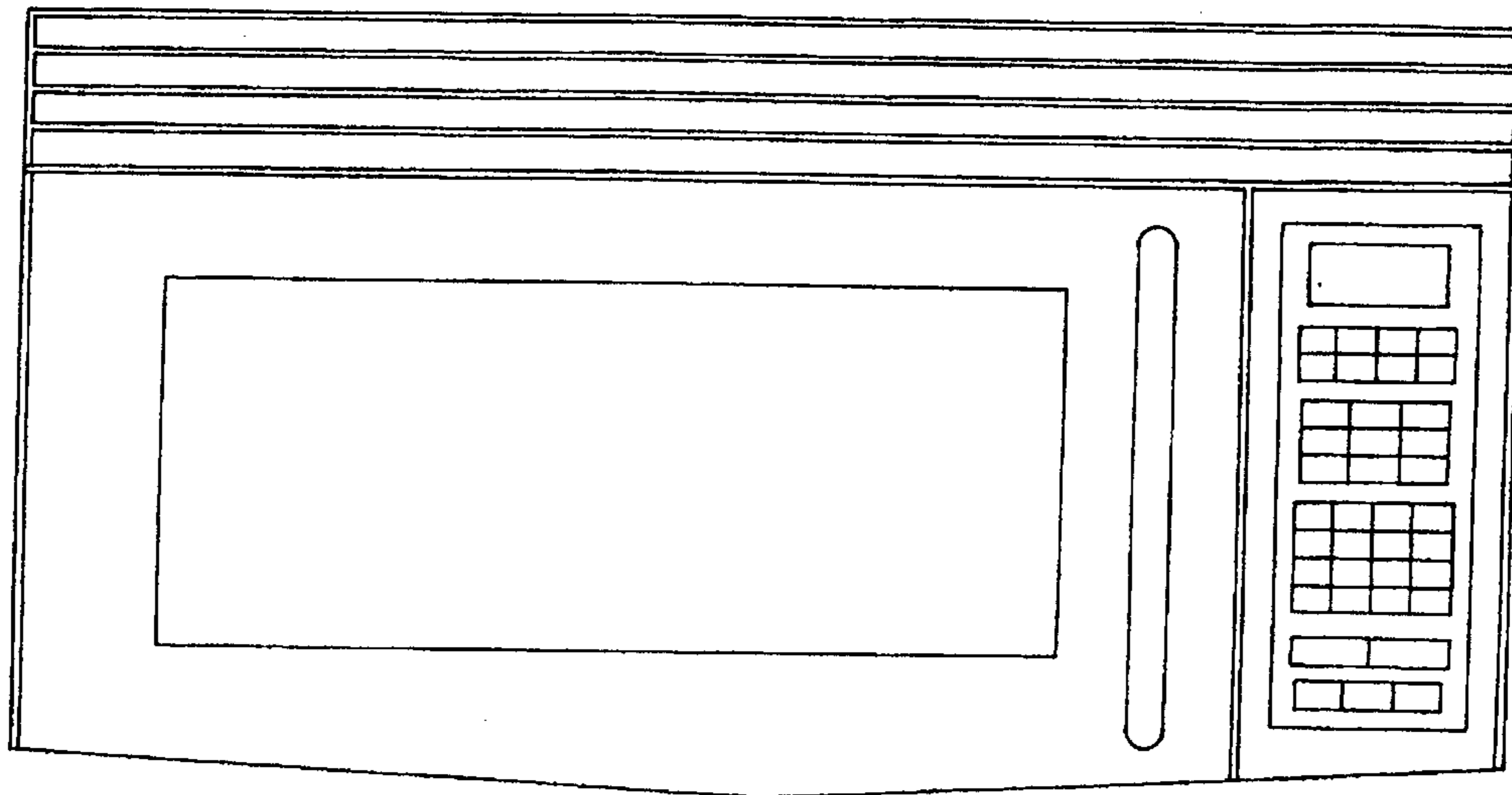
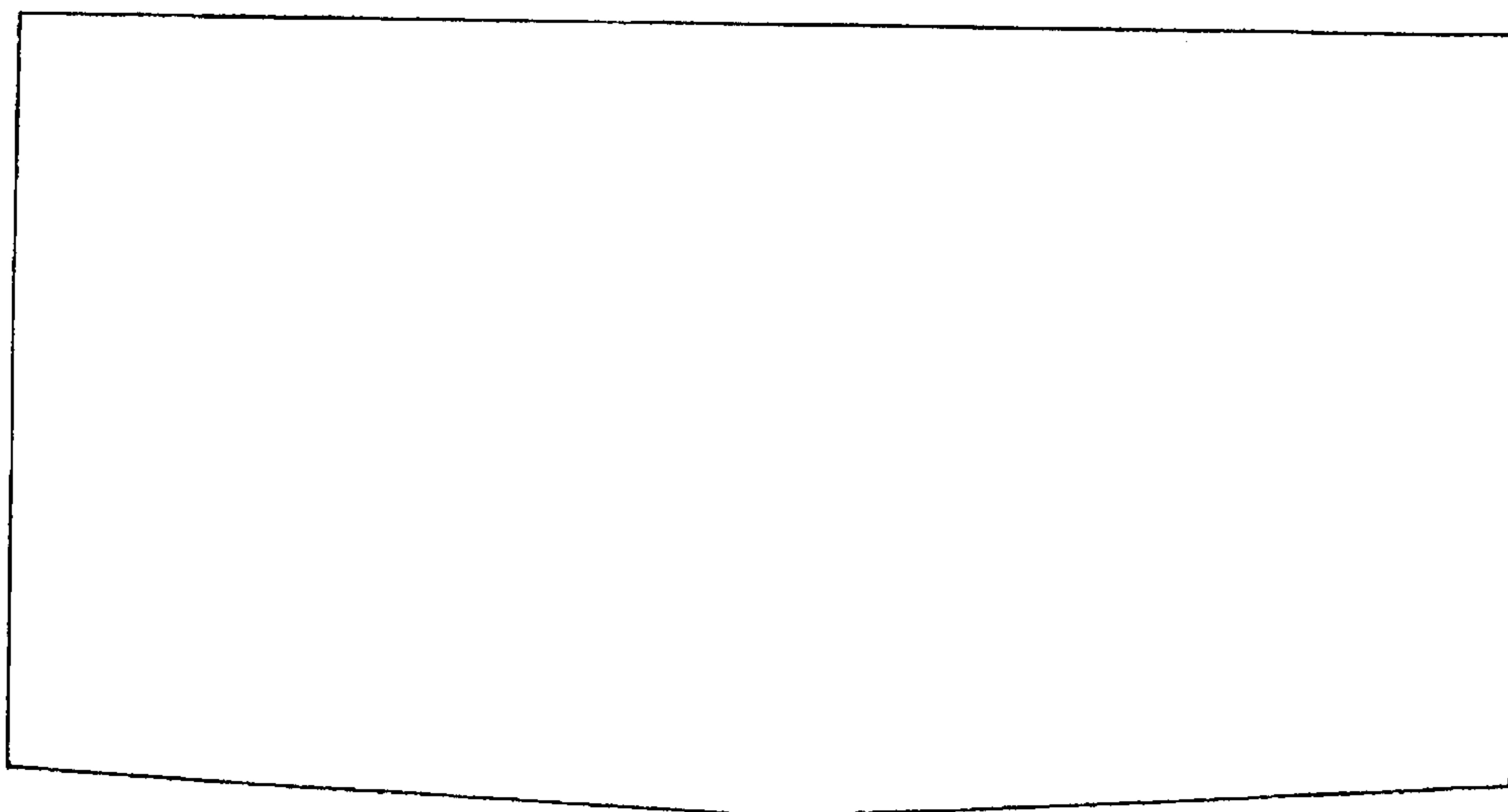


FIG. 1

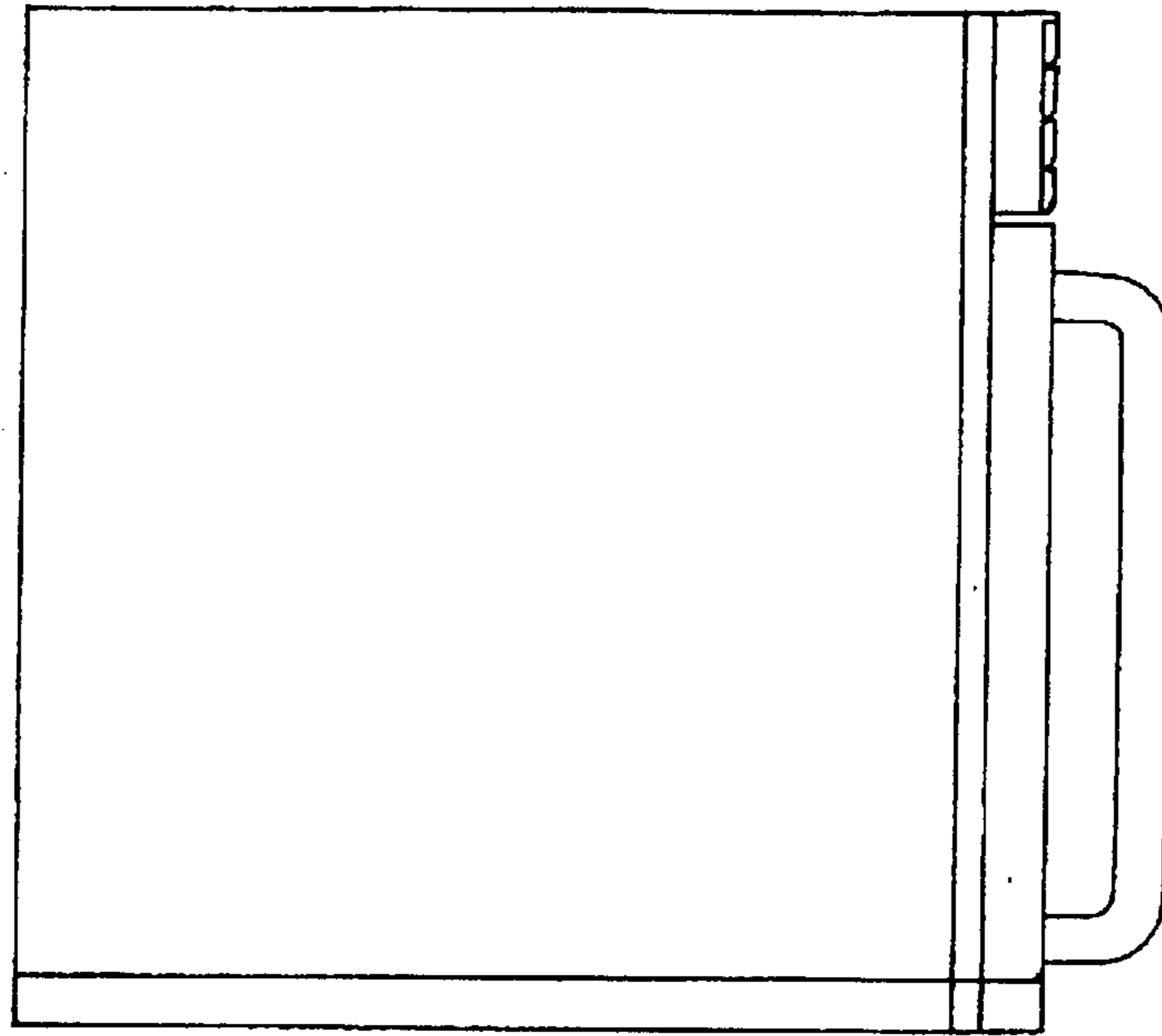
*FIG. 2*



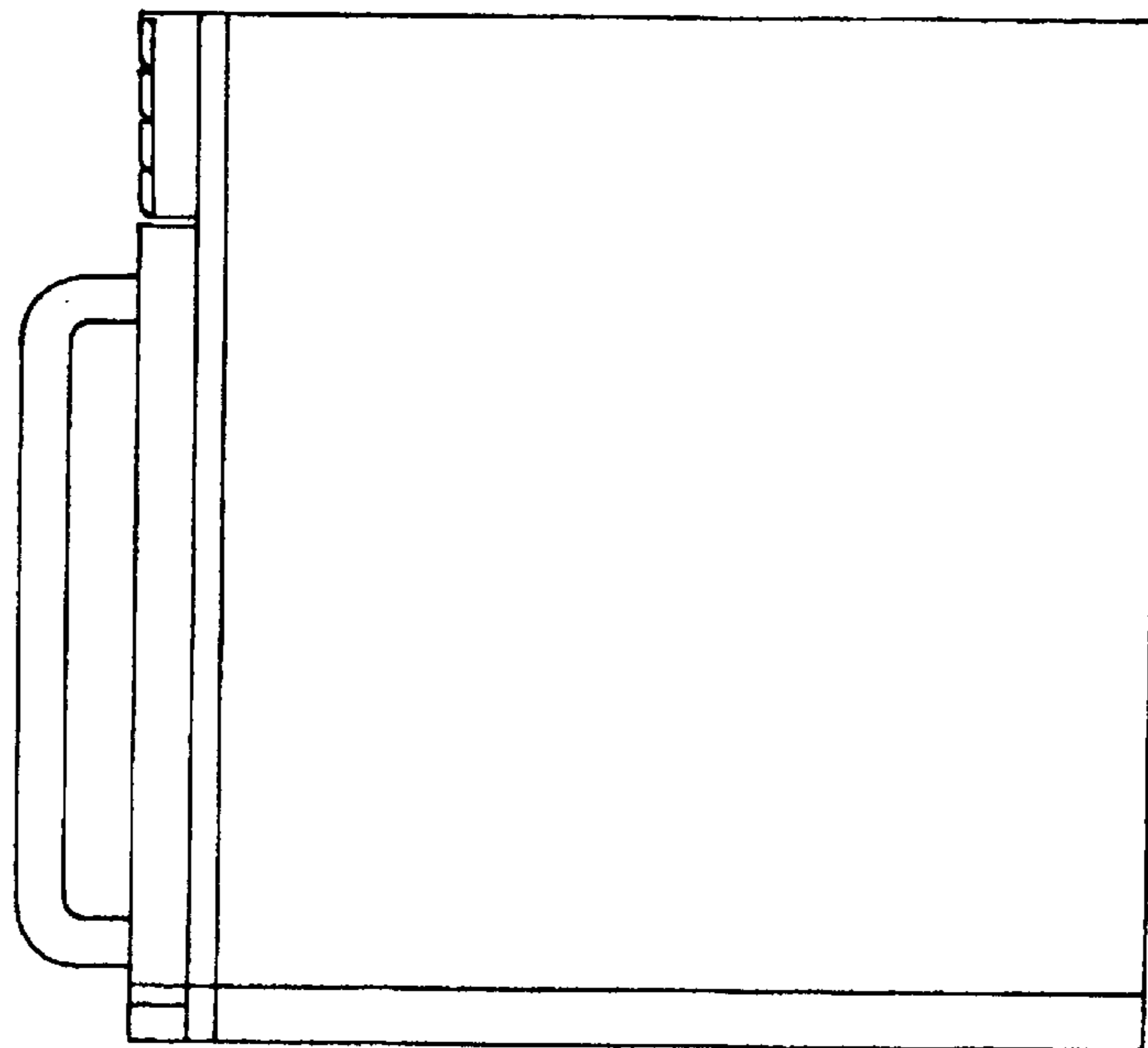
*FIG. 3*



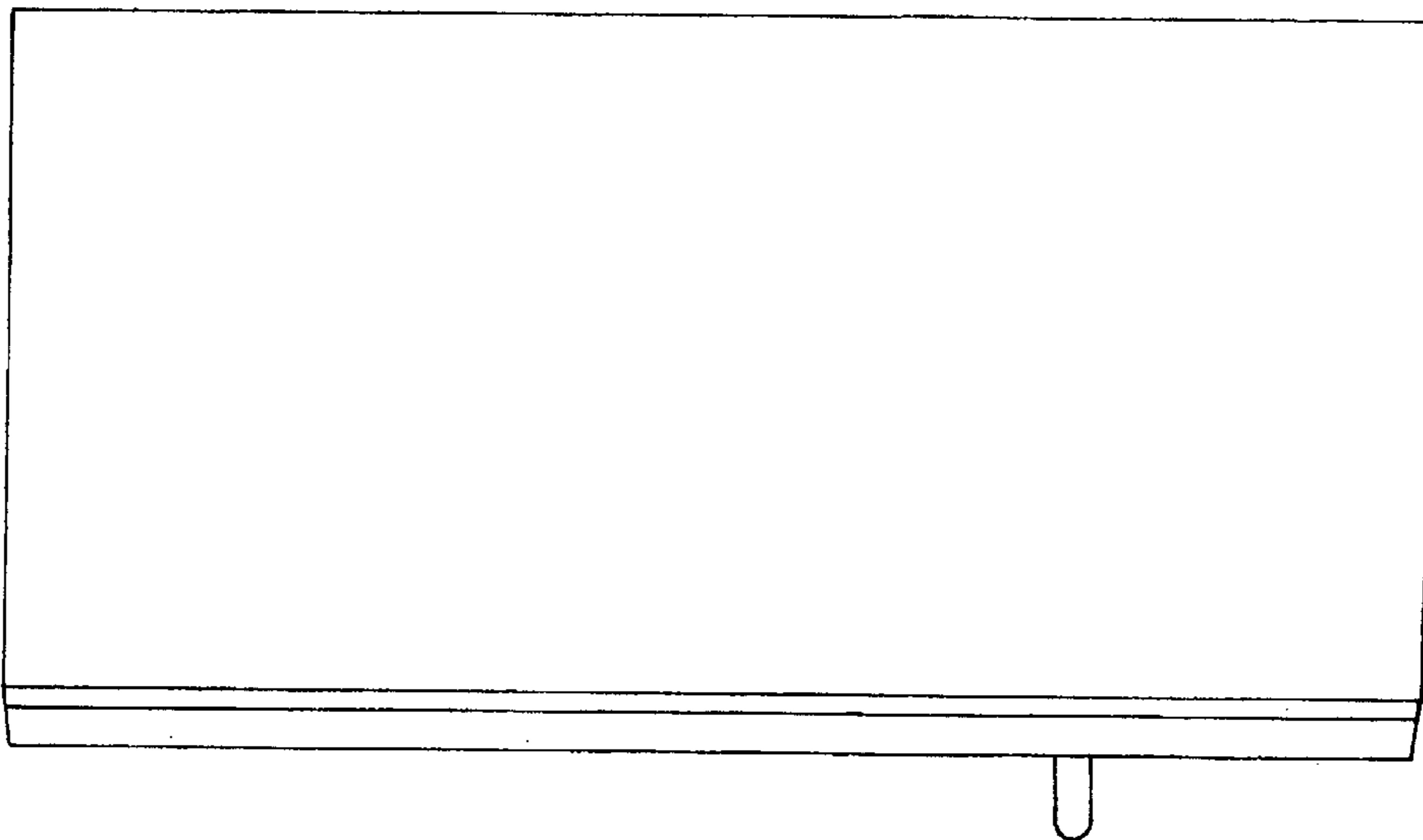
*FIG. 4*



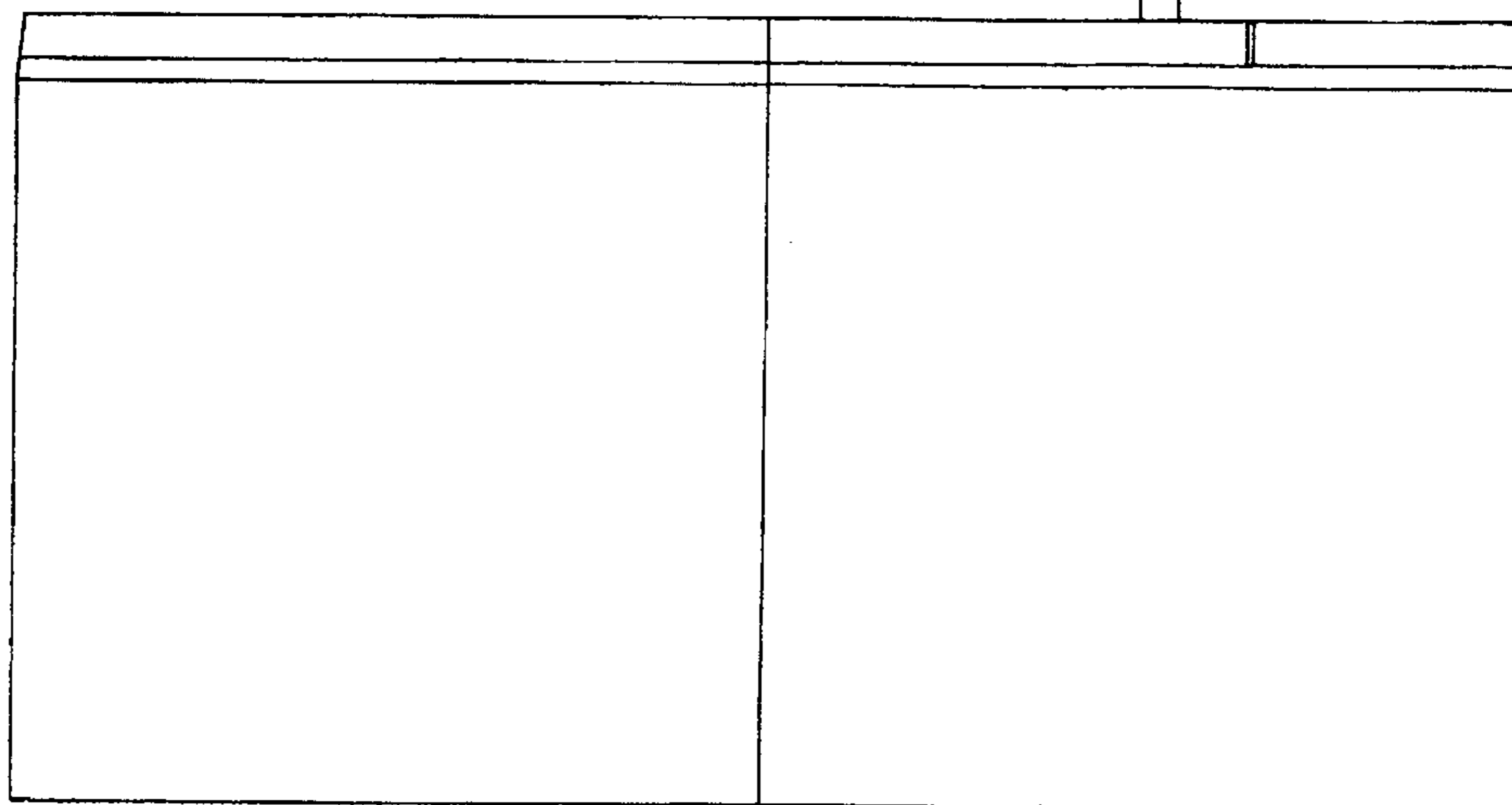
*FIG. 5*



*FIG. 6*



*FIG. 7*



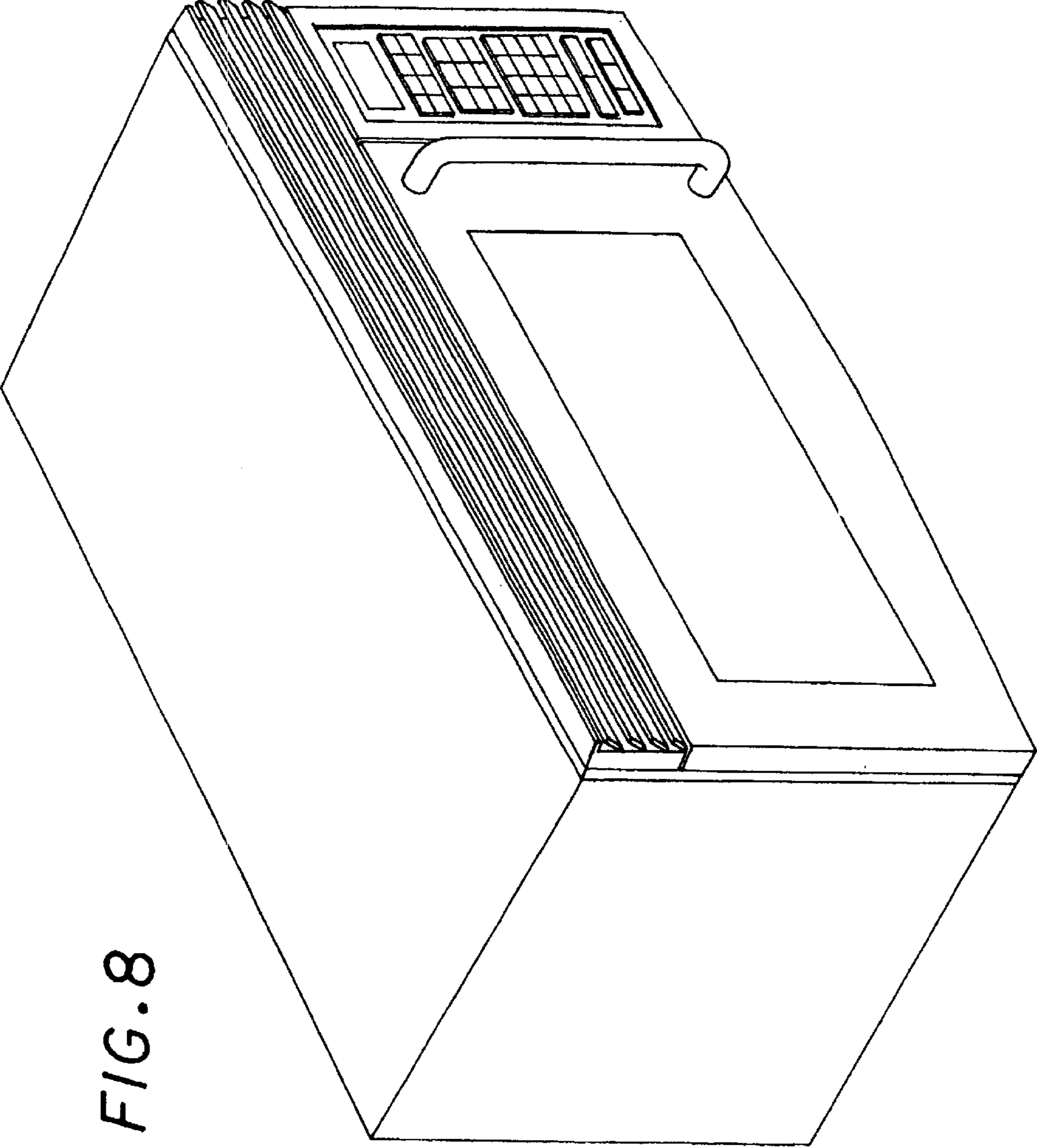


FIG. 8