

US00D540106S

(12) **United States Design Patent**  
**Jeon**

(10) **Patent No.:** **US D540,106 S**

(45) **Date of Patent:** **\*\* \*Apr. 10, 2007**

(54) **MICROWAVE OVEN**

(75) Inventor: **Sei Ill Jeon**, Kyunggi-Do (KR)

(73) Assignee: **Samsung Electronics Co., Ltd.** (KR)

(\*) Notice: This patent is subject to a terminal disclaimer.

(\*\*) Term: **14 Years**

(21) Appl. No.: **29/242,388**

(22) Filed: **Nov. 9, 2005**

(30) **Foreign Application Priority Data**

Jul. 26, 2005 (KR) ..... 30-2005-0025107

(51) **LOC (8) Cl.** ..... **07-02**

(52) **U.S. Cl.** ..... **D7/351**

(58) **Field of Classification Search** ..... D7/350.1,  
D7/350.3, 350.4, 351, 402, 405; 126/19 M,  
126/273 E; 219/739-740, 756-758, 391  
See application file for complete search history.

(56) **References Cited**

**U.S. PATENT DOCUMENTS**

- D276,122 S \* 10/1984 Tanaka et al. .... D7/351
- D297,800 S \* 9/1988 Feil et al. .... D7/351
- D305,969 S \* 2/1990 Saito ..... D7/351
- D329,353 S \* 9/1992 Yamada ..... D7/351

- D352,636 S \* 11/1994 Nakamura ..... D7/351
- D463,198 S \* 9/2002 Nishikawa ..... D7/351
- D468,579 S \* 1/2003 Sakai et al. .... D7/351
- D481,582 S \* 11/2003 Seum et al. .... D7/350.1
- D489,934 S \* 5/2004 Sagawa et al. .... D7/351
- D495,556 S \* 9/2004 Milrud et al. .... D7/405

\* cited by examiner

*Primary Examiner*—Ruth McInroy

(74) *Attorney, Agent, or Firm*—Irving Keschner

(57) **CLAIM**

The ornamental design for microwave oven, as shown.

**DESCRIPTION**

FIG. 1 is a perspective view of the ornamental design of the present invention;

FIG. 2 is a front elevational view of the ornamental design of the present invention;

FIG. 3 is a rear elevational view of the ornamental design of the present invention;

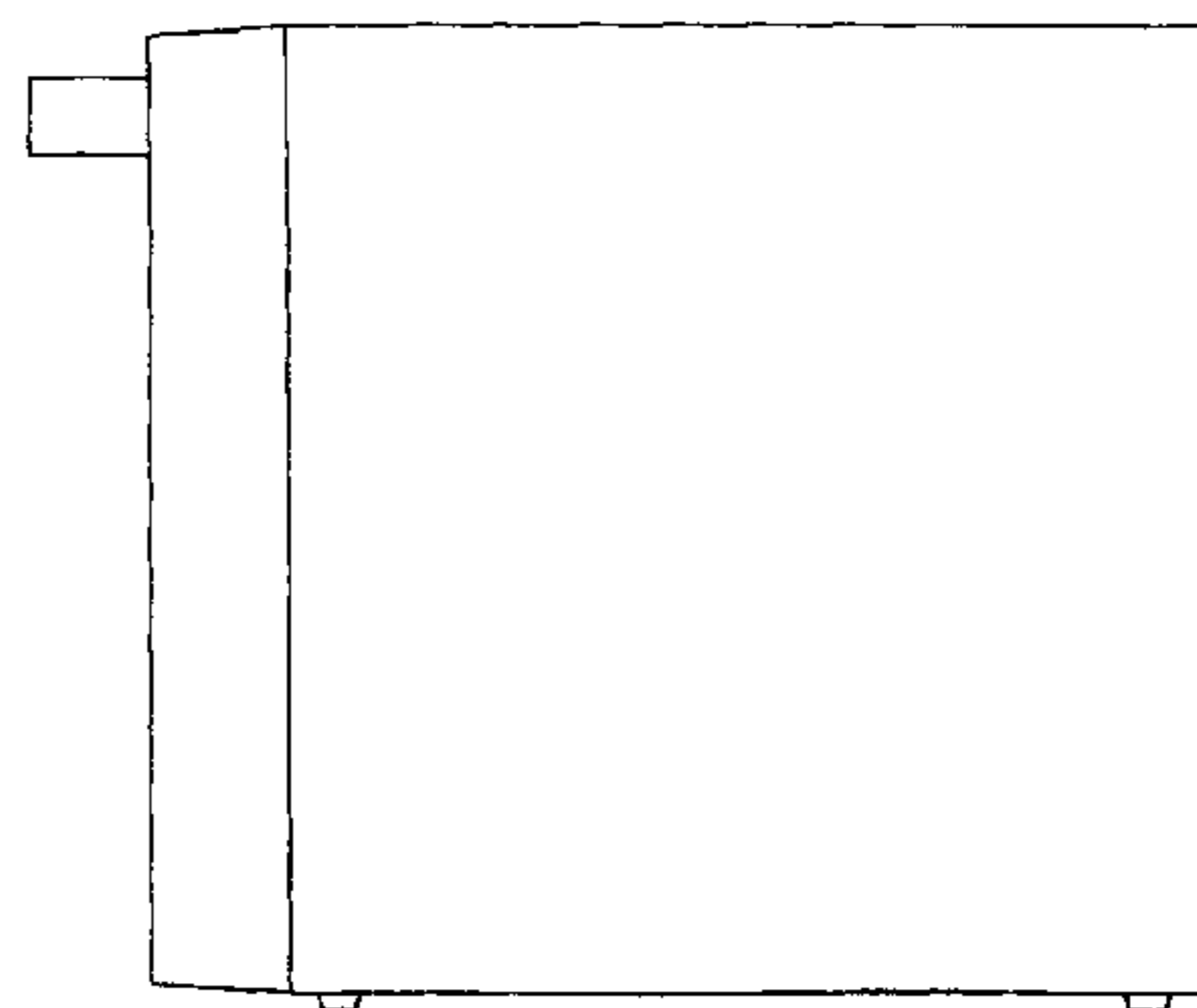
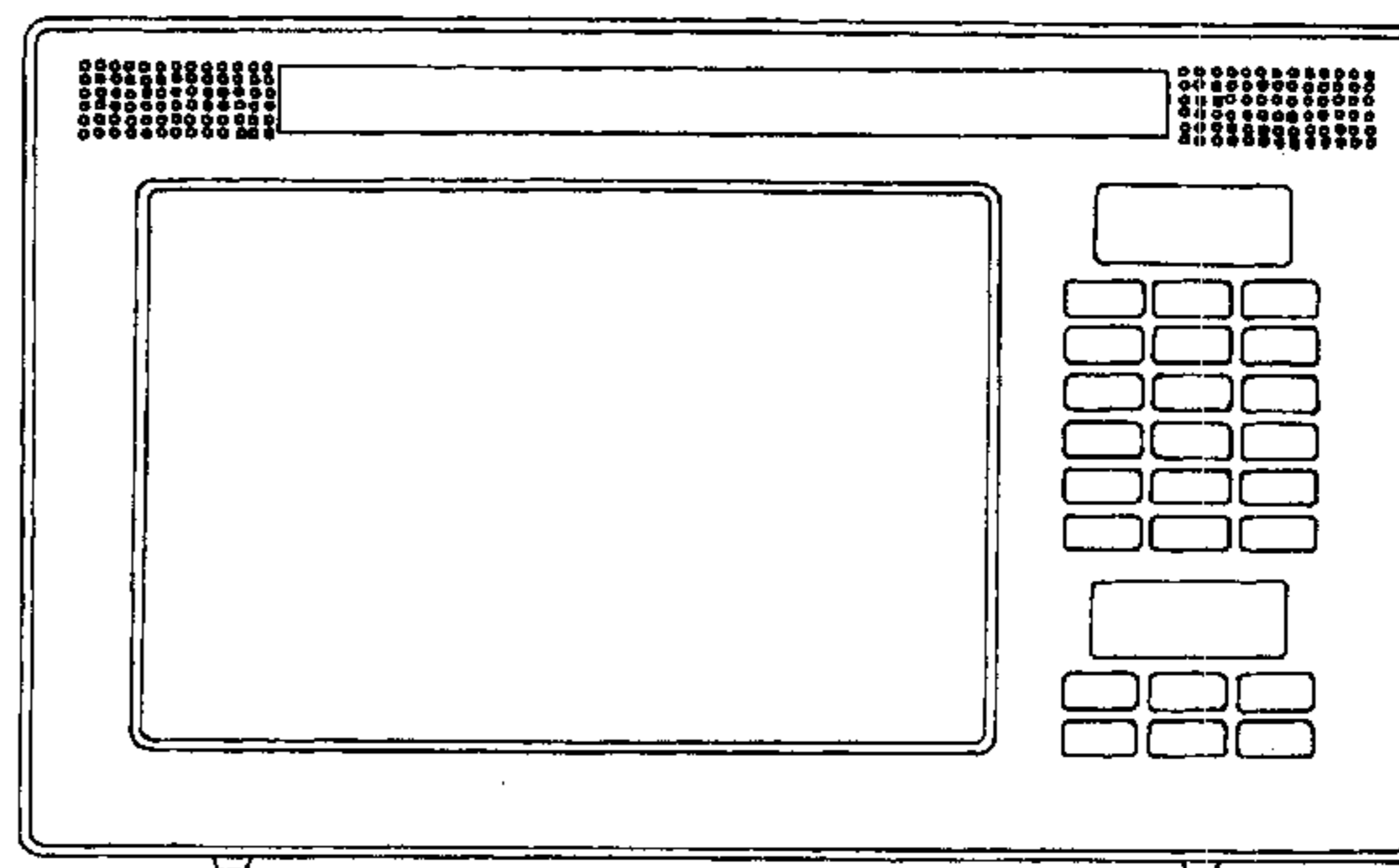
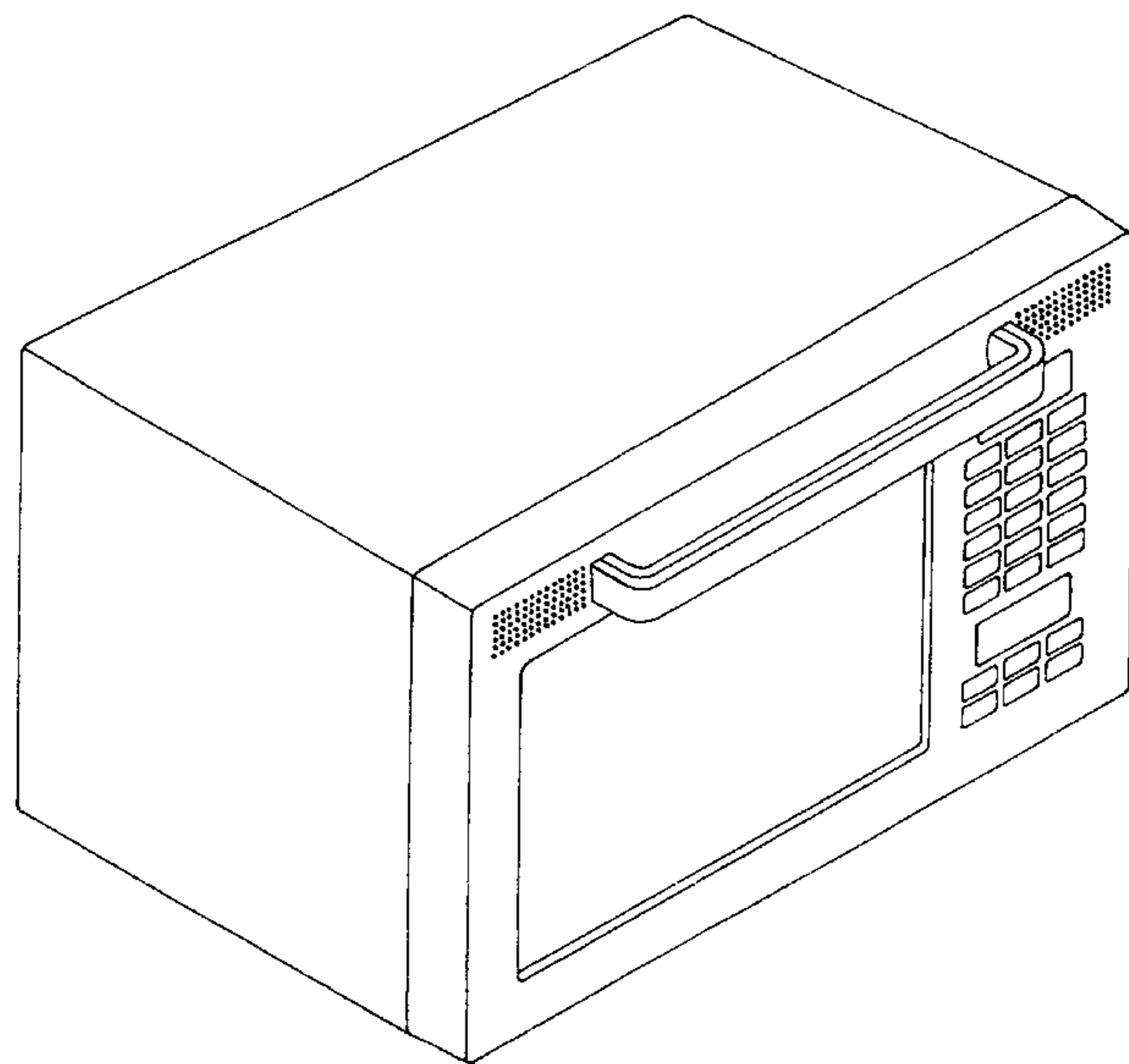
FIG. 4 is a left side elevational view of the ornamental design of the present invention;

FIG. 5 is a right side elevational view of the ornamental design of the present invention;

FIG. 6 is a top plan view of the ornamental design of the present invention; and,

FIG. 7 is a bottom view of the ornamental design of the present invention.

**1 Claim, 5 Drawing Sheets**



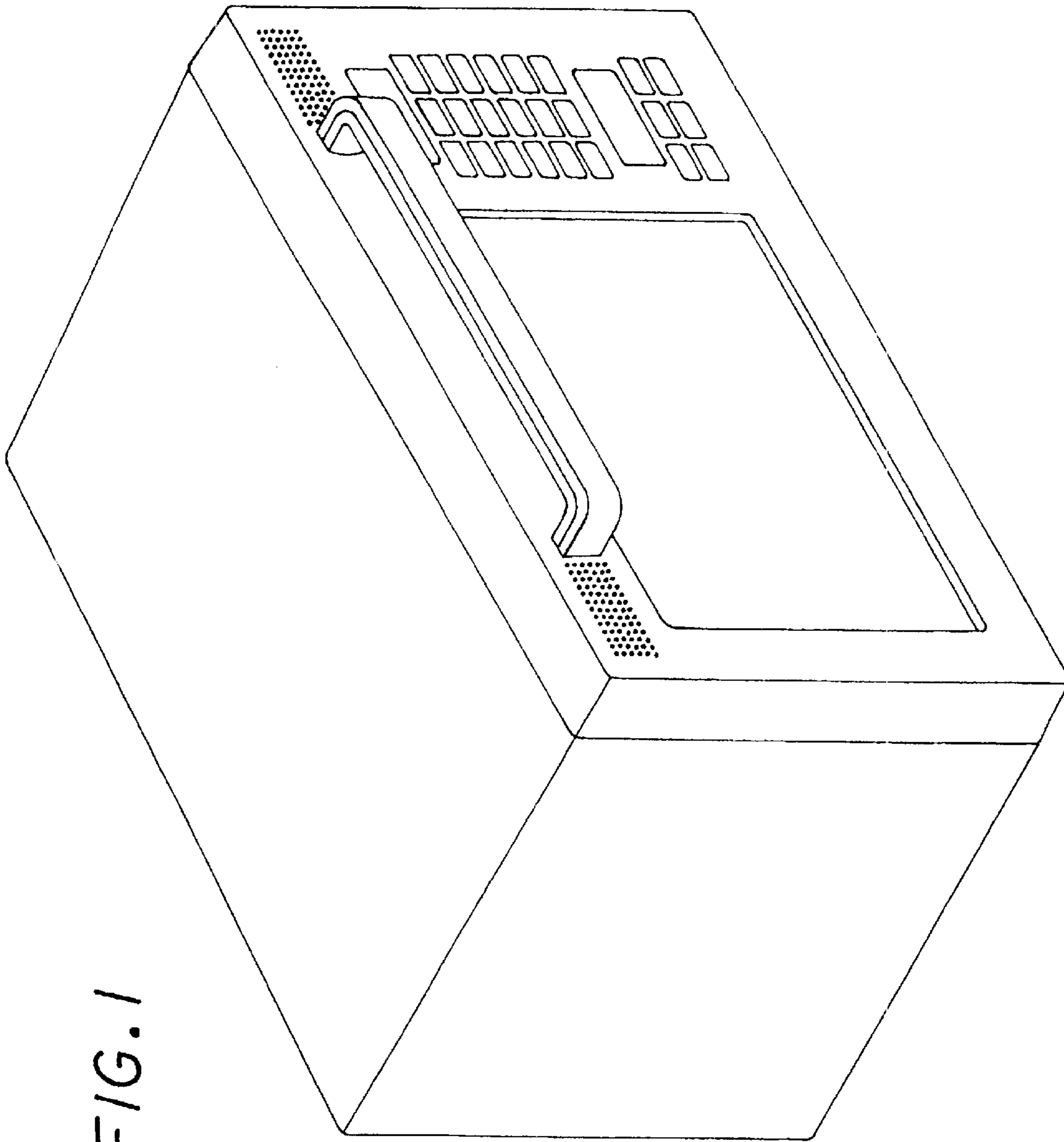


FIG. 1

FIG. 2

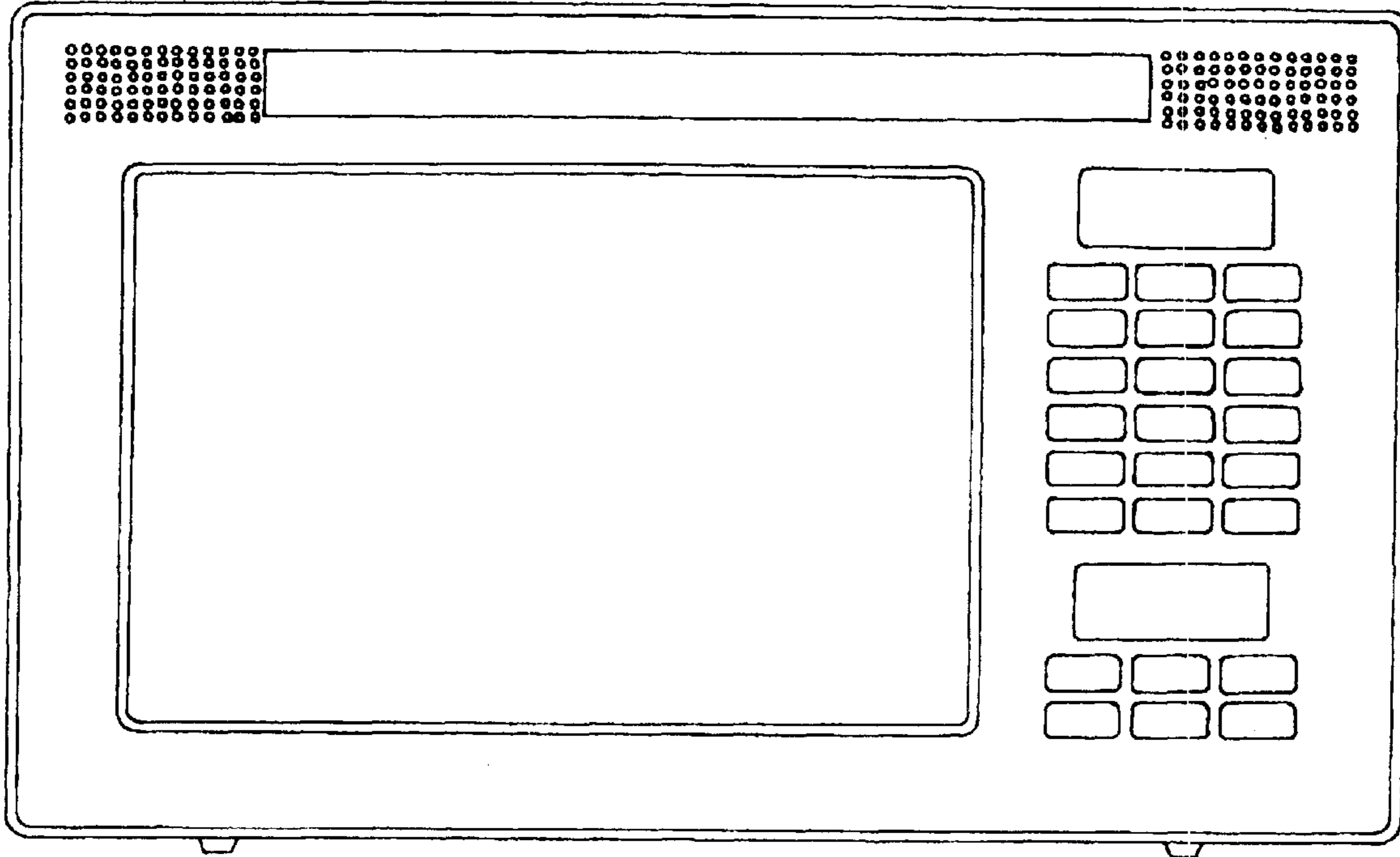
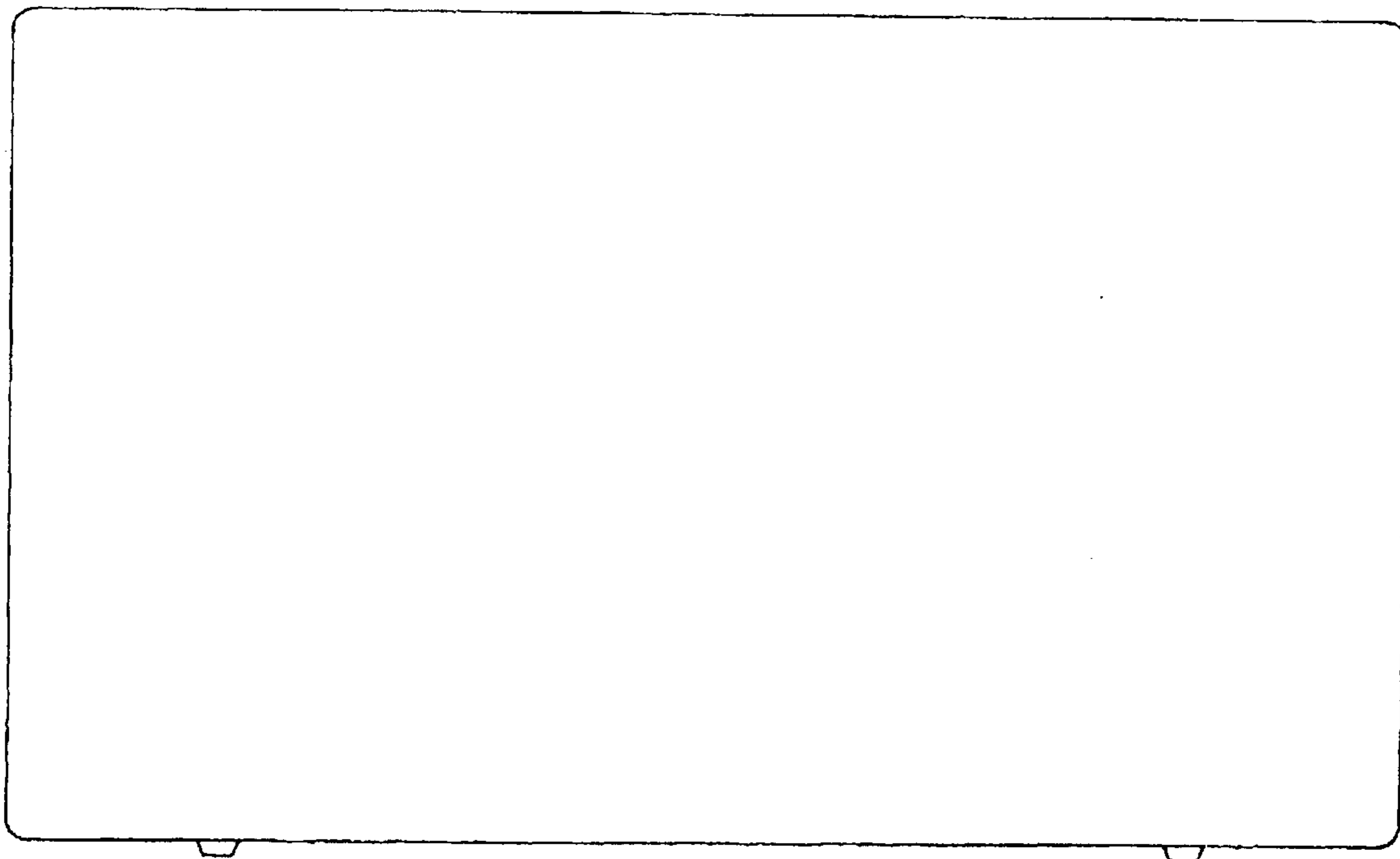
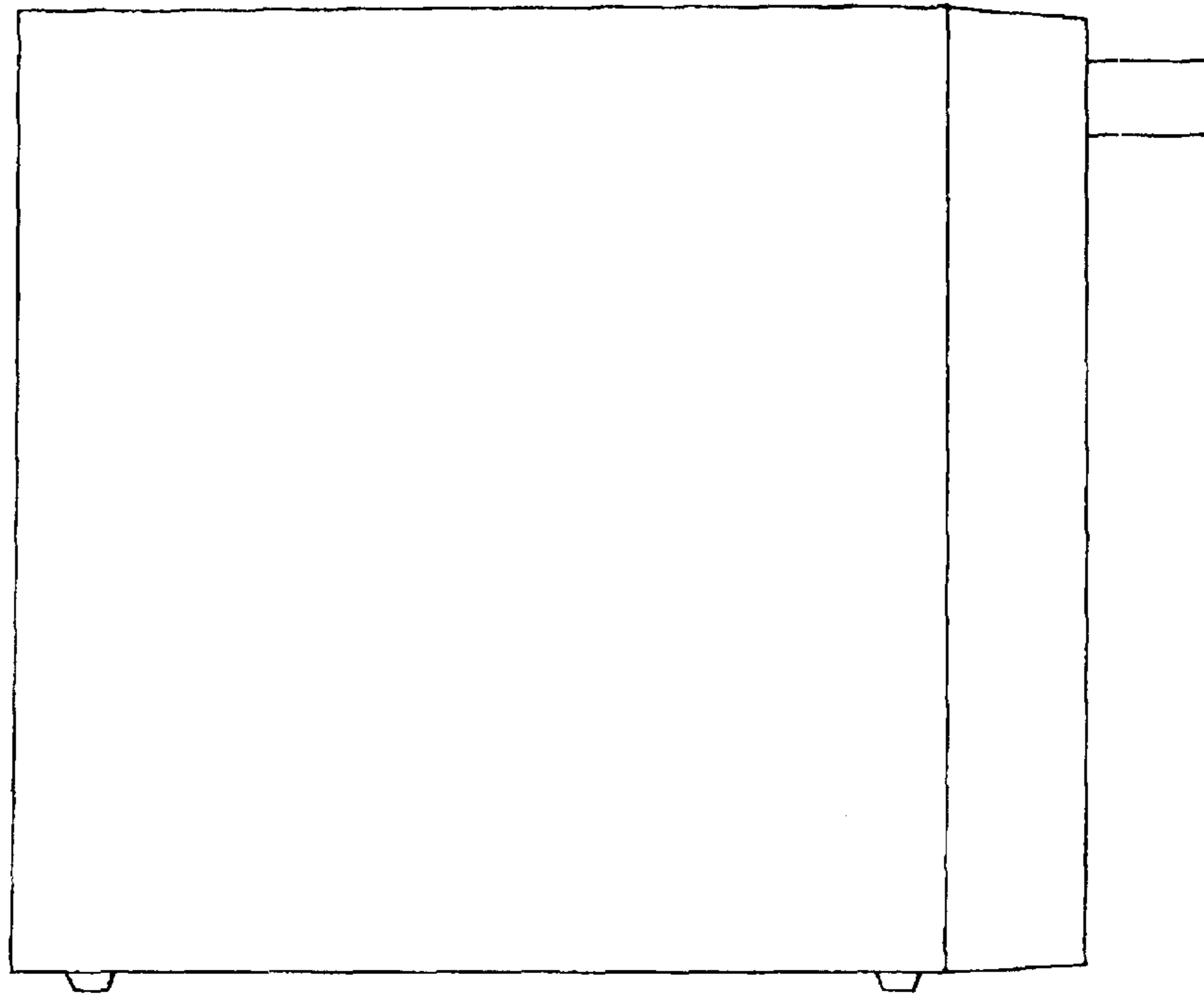


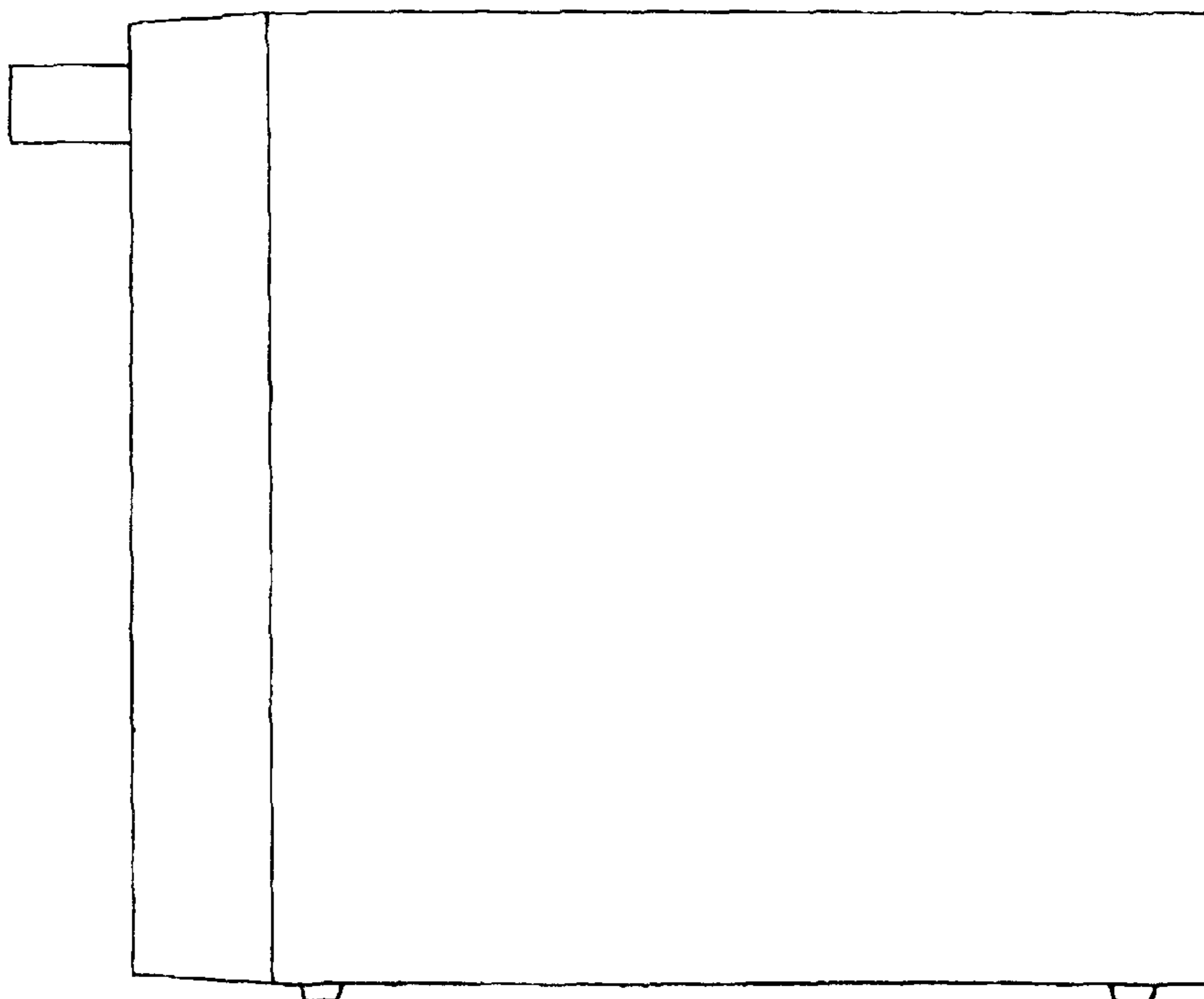
FIG. 3

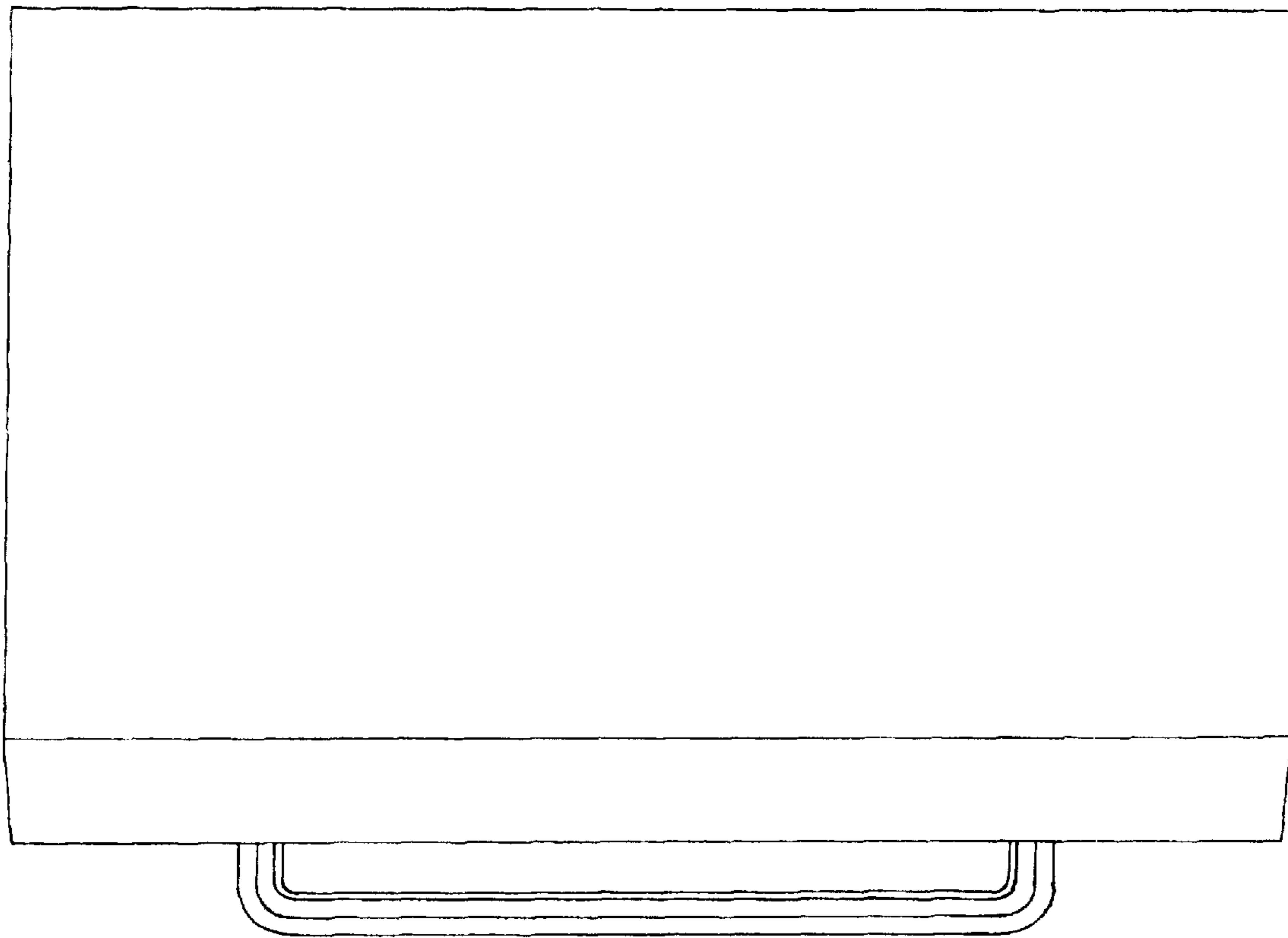


*FIG. 4*



*FIG. 5*





*FIG. 6*

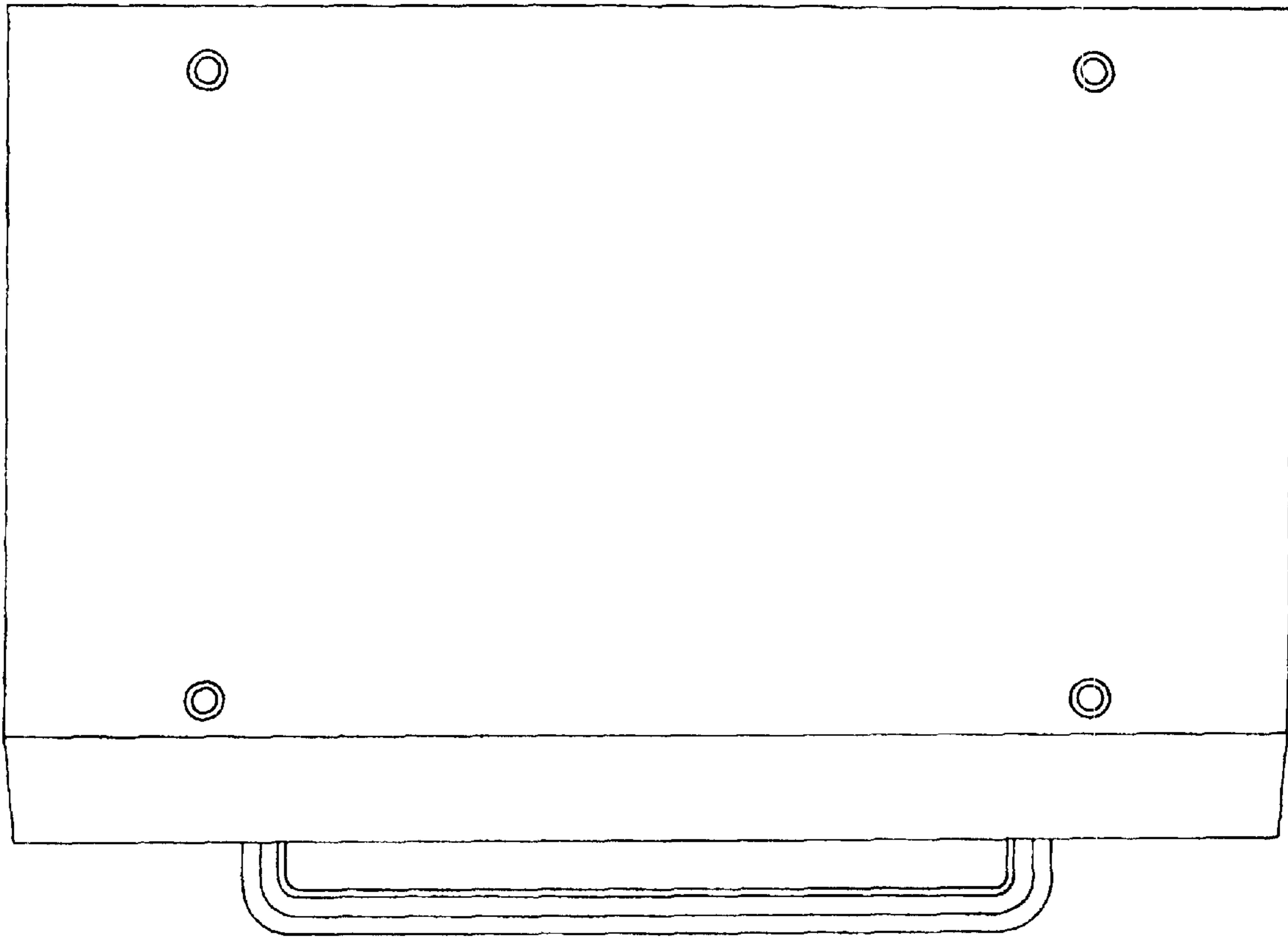


FIG. 7