

US00D540105S

(12) **United States Design Patent**
Lee et al.

(10) **Patent No.:** **US D540,105 S**
(45) **Date of Patent:** **** Apr. 10, 2007**

(54) **MICROWAVE OVEN**
(75) Inventors: **Moon Woo Lee**, Yongin-si (KR); **Hyun Jung Hwang**, Goori-si (KR)
(73) Assignee: **LG Electronics Inc.**, Seoul (KR)
(**) Term: **14 Years**

(21) Appl. No.: **29/238,717**
(22) Filed: **Sep. 21, 2005**

(30) **Foreign Application Priority Data**

Mar. 24, 2005 (KR) 30-2005-0009611

(51) **LOC (8) Cl.** **07-02**
(52) **U.S. Cl.** **D7/351**
(58) **Field of Classification Search** D7/350.1,
D7/350.3, 350.4, 351, 402, 405; 126/19 M,
126/273 E; 219/739-740, 756-758, 391
See application file for complete search history.

(56) **References Cited**

U.S. PATENT DOCUMENTS

D439,468 S * 3/2001 Kim D7/351
D442,820 S * 5/2001 Kim D7/351

D455,932 S * 4/2002 Noda et al. D7/351
D476,521 S * 7/2003 Fukuda et al. D7/351
D477,964 S * 8/2003 Kanza D7/351
D478,465 S * 8/2003 Kanza D7/351
D518,680 S * 4/2006 Kim D7/351
D522,800 S * 6/2006 Lee et al. D7/351

* cited by examiner

Primary Examiner—Ruth McInroy

(74) *Attorney, Agent, or Firm*—Birch, Stewart, Kolasch & Birch, LLP

(57) **CLAIM**

The ornamental design for a microwave oven, as shown.

DESCRIPTION

FIG. 1 is a front, right perspective view of the microwave oven showing our new design;
FIG. 2 is a front view thereof;
FIG. 3 is a rear view thereof;
FIG. 4 is a left side view thereof;
FIG. 5 is a right side view thereof;
FIG. 6 is a top view thereof; and,
FIG. 7 is a bottom view thereof.

1 Claim, 3 Drawing Sheets

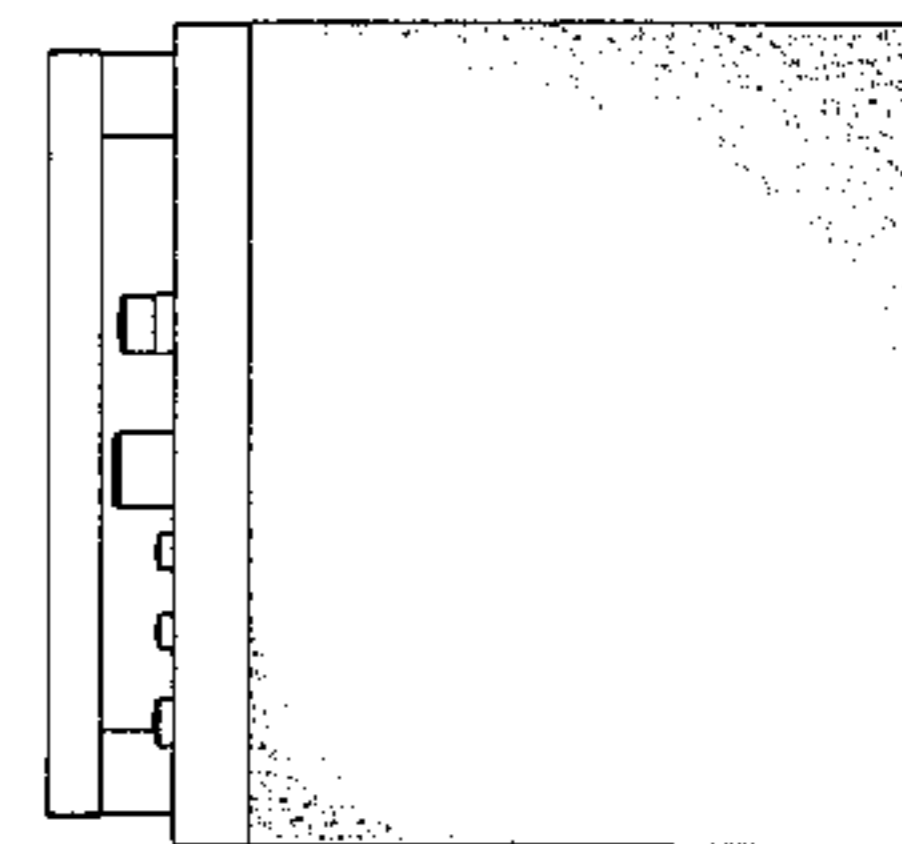
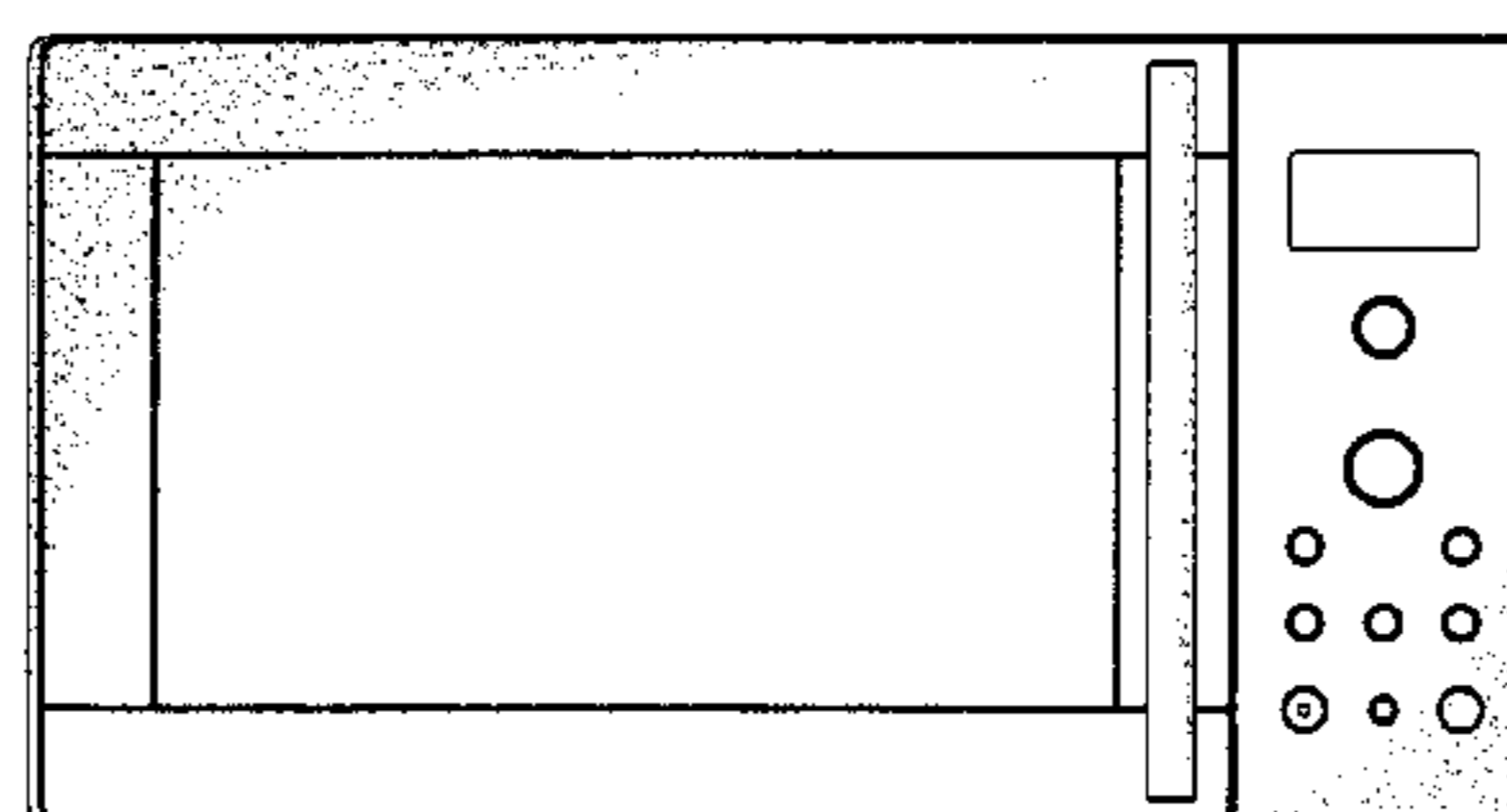
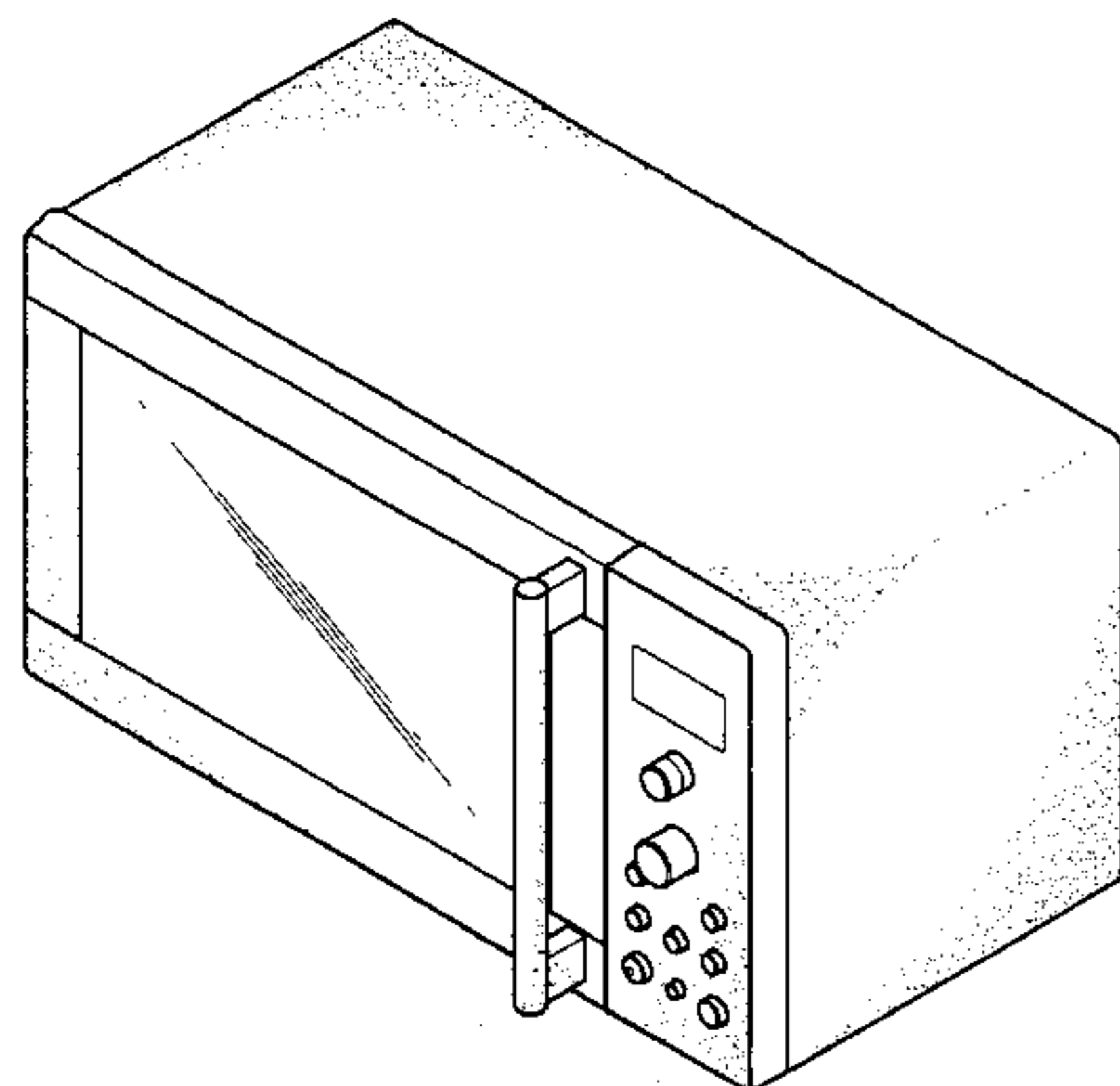


FIGURE 1

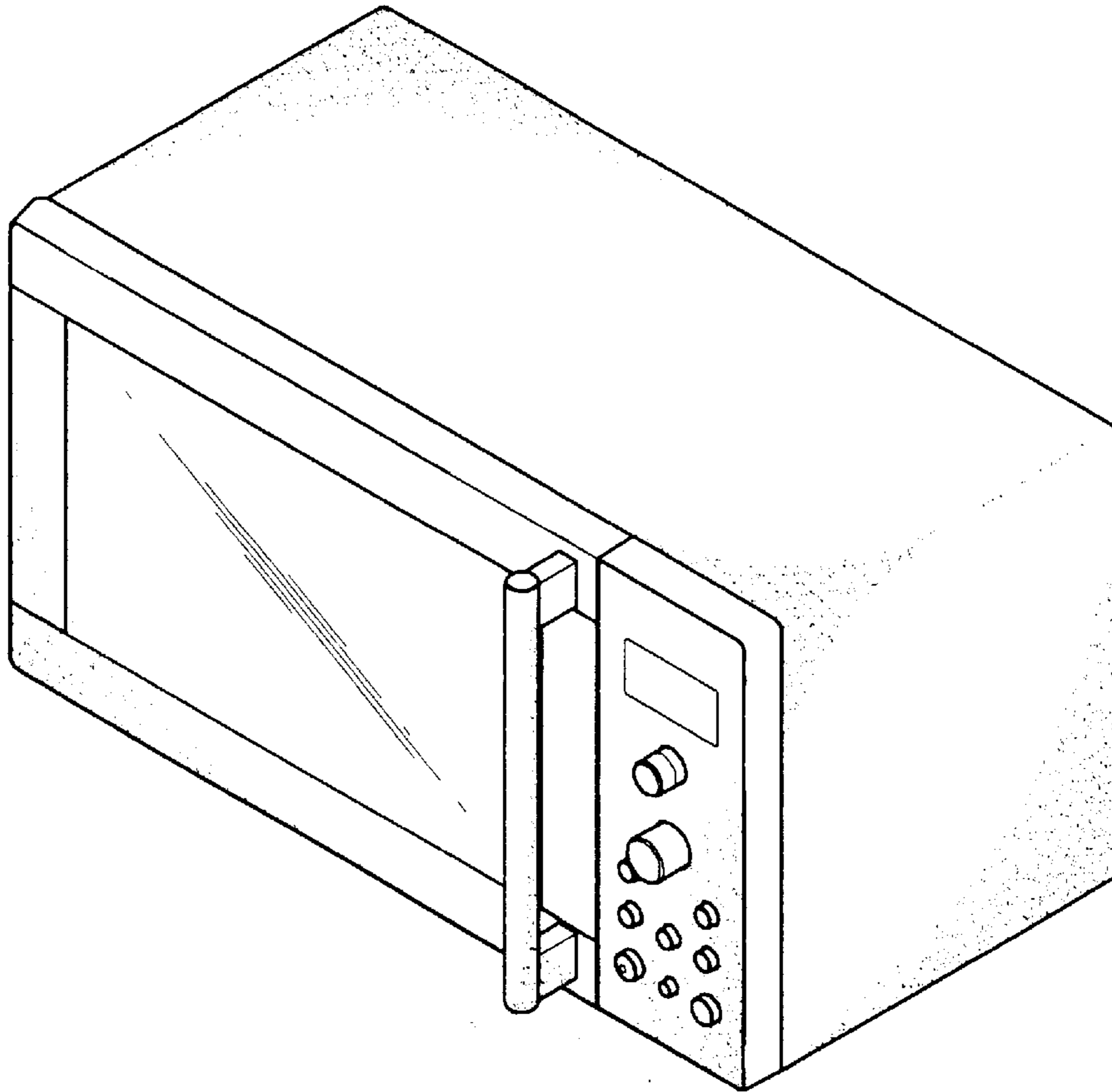


FIGURE 2

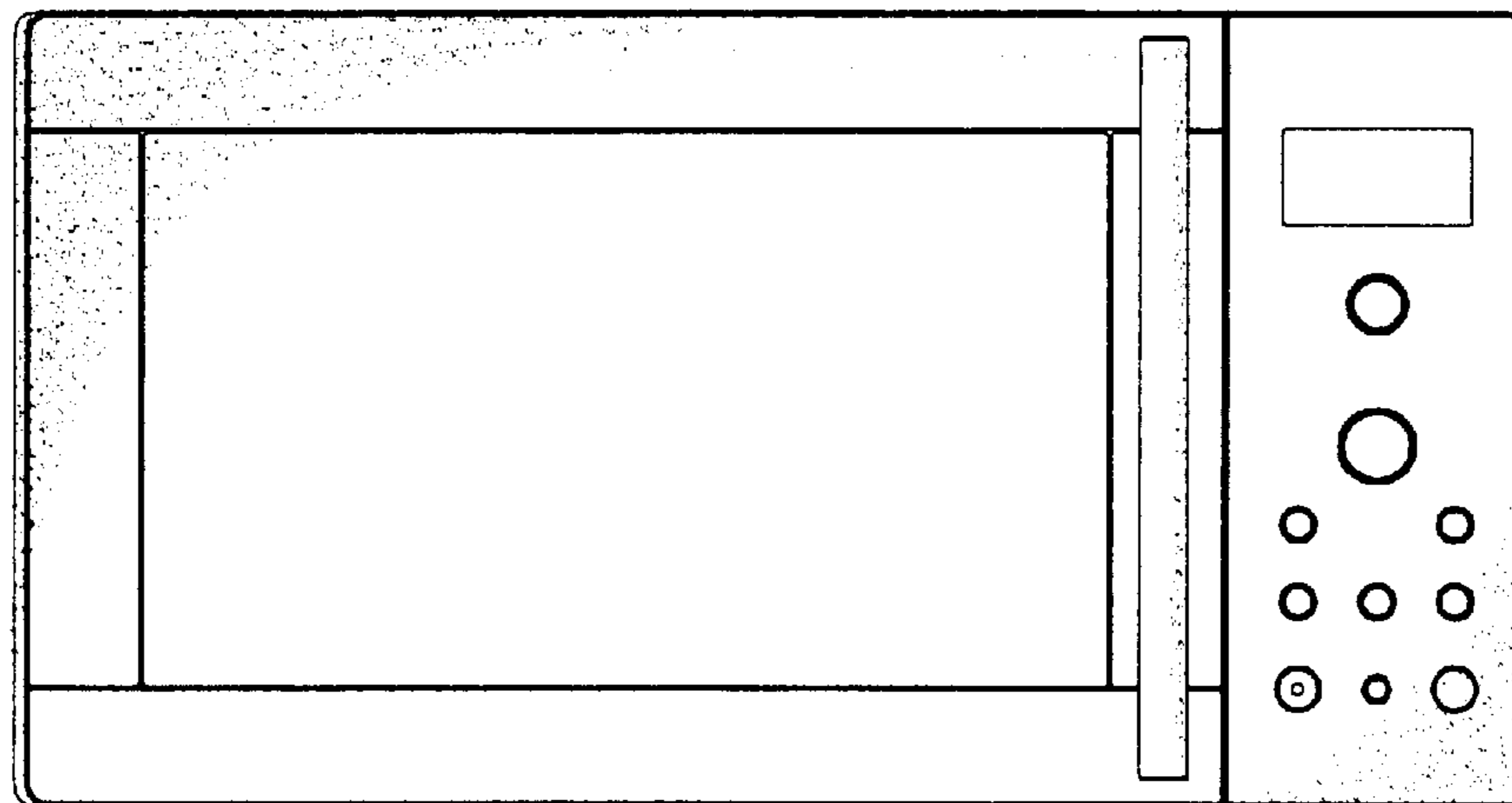


FIGURE 3

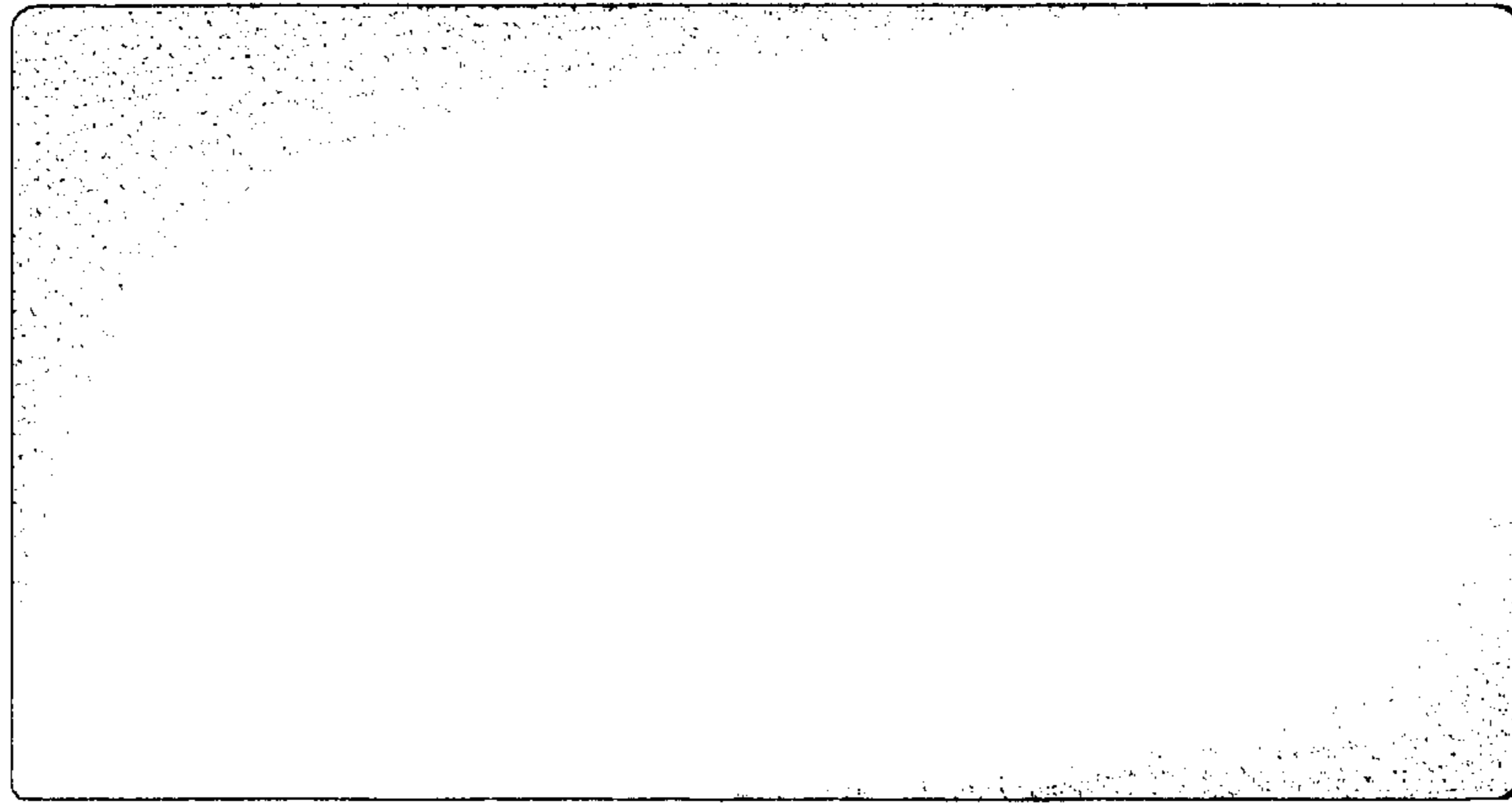


FIGURE 4

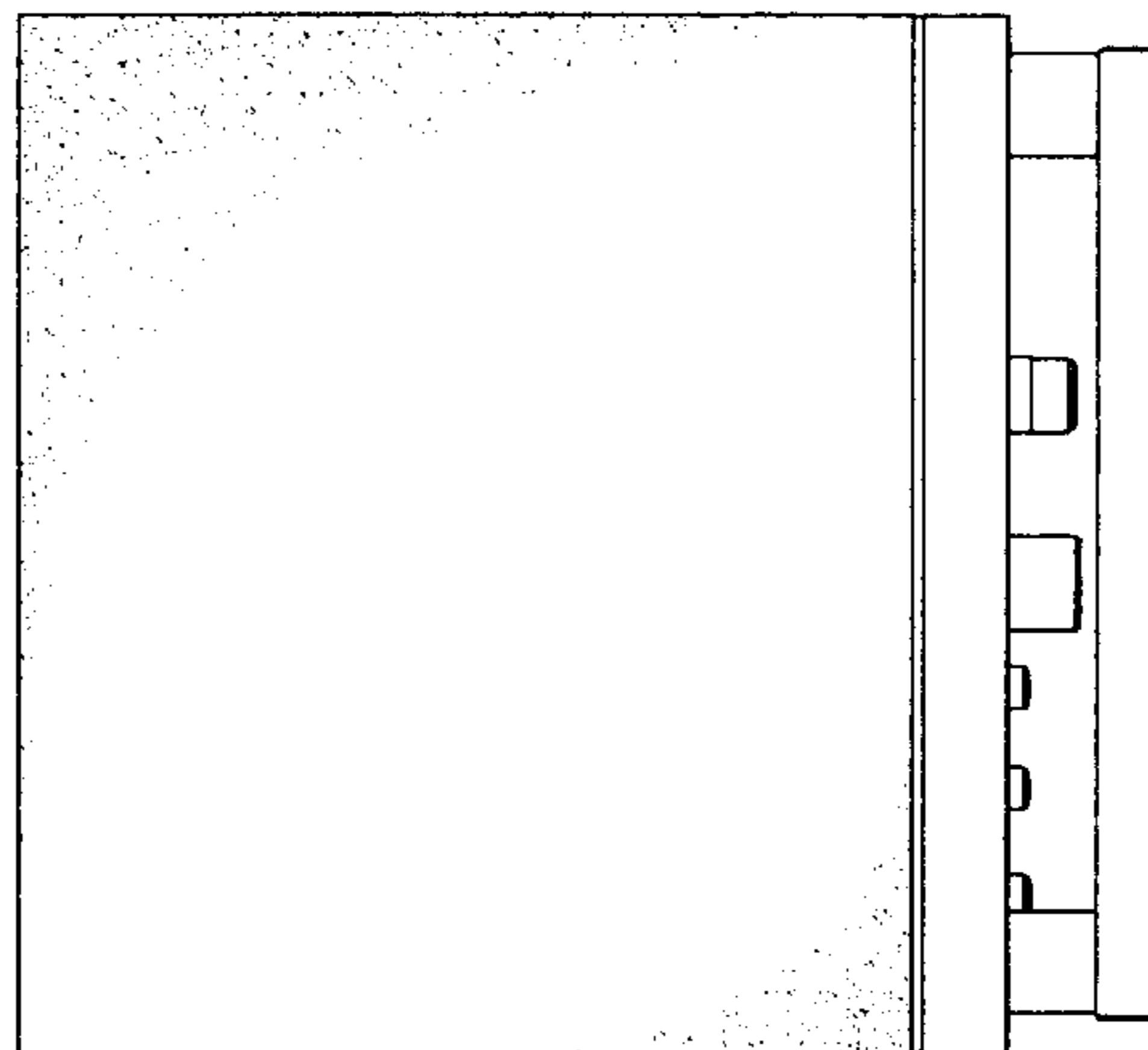


FIGURE 5

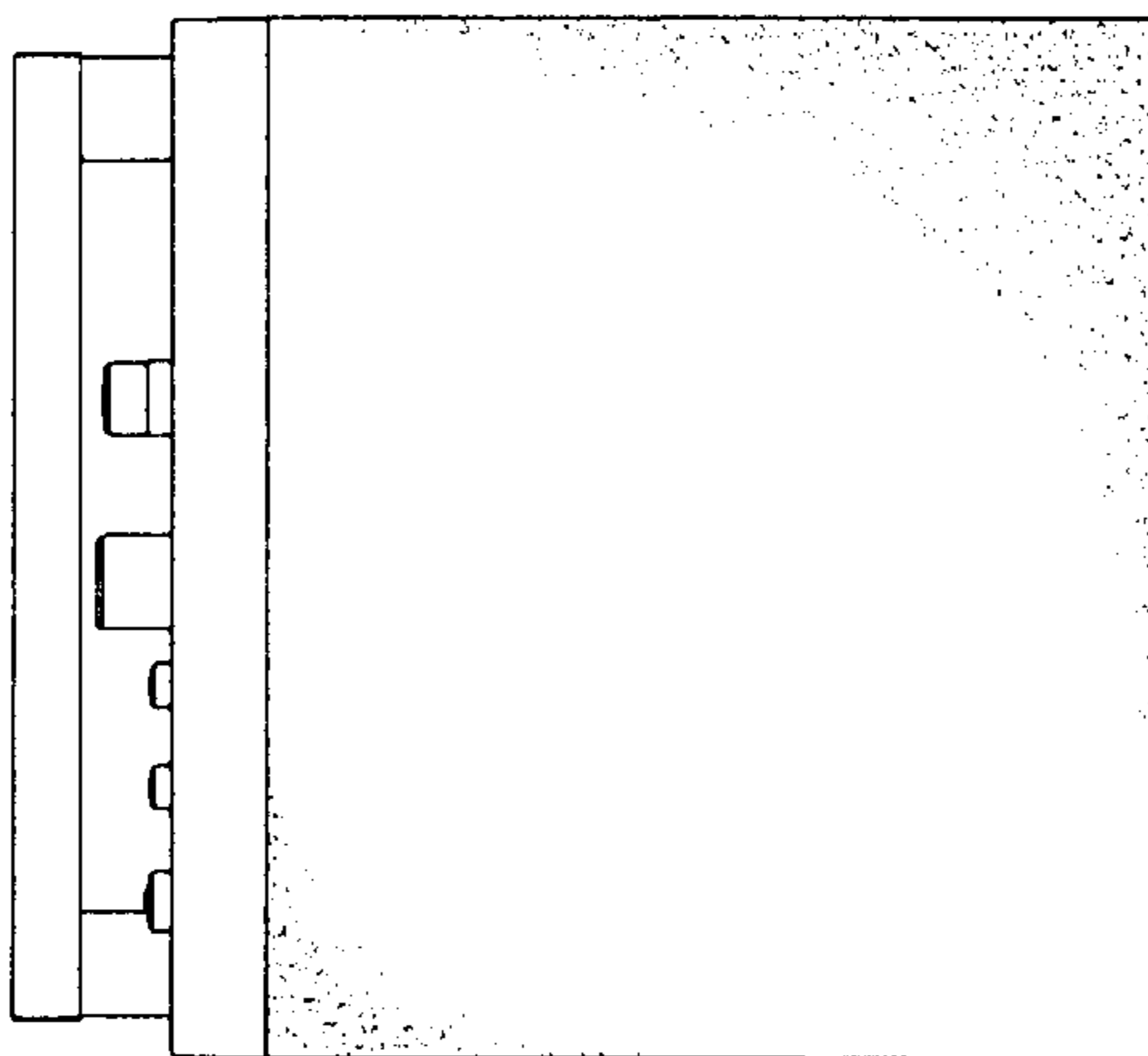


FIGURE 6

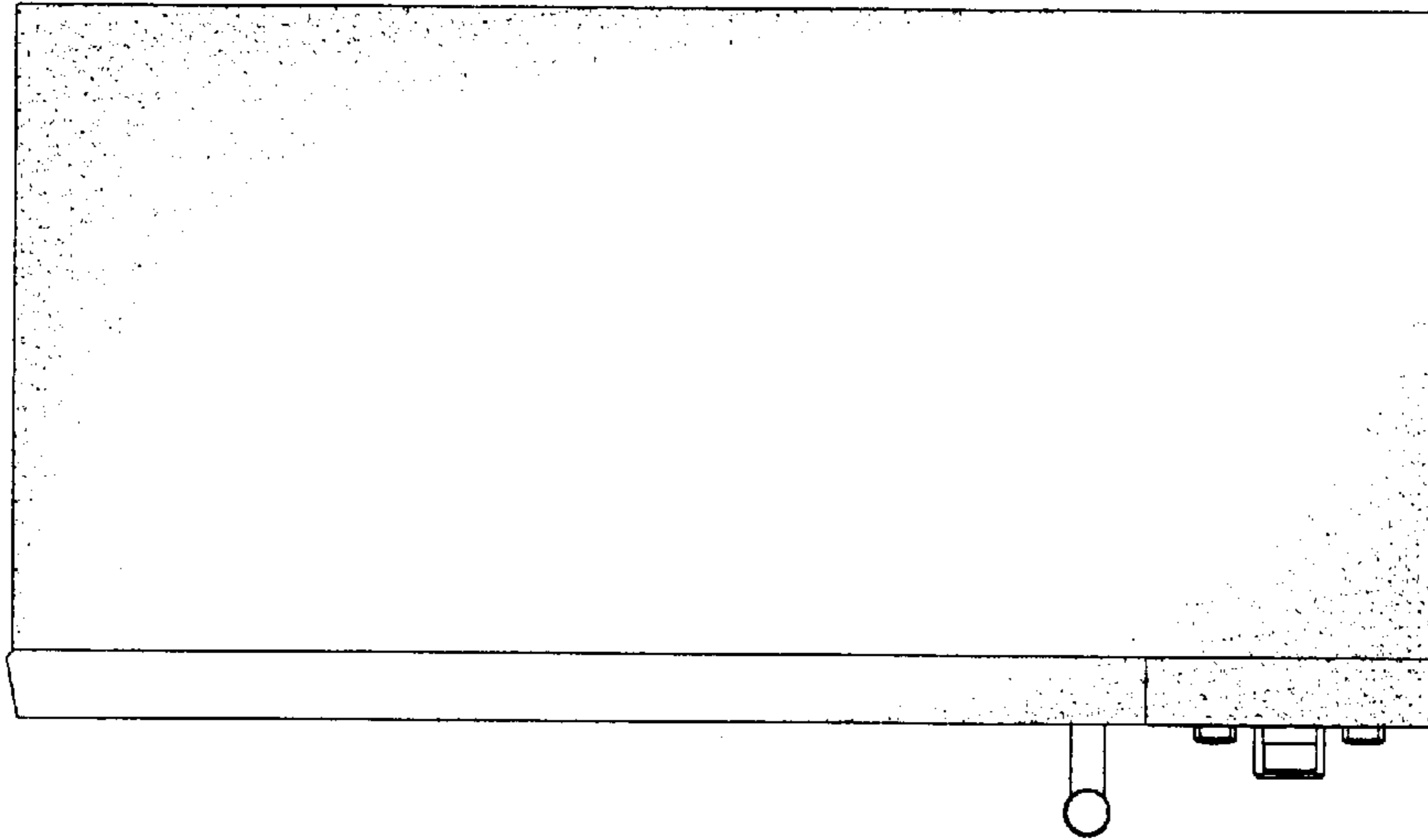


FIGURE 7

