



US00D540104S

(12) **United States Design Patent**
Jeon

(10) **Patent No.:** **US D540,104 S**

(45) **Date of Patent:** **** Apr. 10, 2007**

(54) **OVEN**

D525,477 S * 7/2006 Kim D7/351
D527,572 S * 9/2006 Lee et al. D7/350.1
D530,561 S * 10/2006 Kim D7/351

(75) Inventor: **Sei Ill Jeon**, Kyunggi-do (KR)

* cited by examiner

(73) Assignee: **Samsung Electronics Co., Ltd.**, Suwon (KR)

Primary Examiner—Ruth McInroy

(**) Term: **14 Years**

(74) *Attorney, Agent, or Firm*—Ladas and Harry LLP

(21) Appl. No.: **29/265,932**

(57) **CLAIM**

(22) Filed: **Sep. 12, 2006**

I claim the ornamental design for oven, as shown and described.

(51) **LOC (8) Cl.** **07-02**

DESCRIPTION

(52) **U.S. Cl.** **D7/350.1**

(58) **Field of Classification Search** D7/350.1,
D7/350.3, 350.4, 351, 402–403, 405–406;
126/19 M, 275 E, 273 A; 219/756–758, 391,
219/402, 393; 99/DIG. 14

FIG. 1 is a perspective view as seen from the top, front, and right side of an oven showing my new design; FIG. 2 is a front elevational view thereof; FIG. 3 is a rear elevational view thereof; FIG. 4 is a right side elevational view thereof; FIG. 5 is a left side elevational view thereof; FIG. 6 is a top plan view thereof; and, FIG. 7 is a bottom plan view thereof.

See application file for complete search history.

The broken lines are for illustrative purposes only and form no part of the claimed design. The stippling on the face of the oven is intended to represent different coloration from that of the rest of the oven.

(56) **References Cited**

U.S. PATENT DOCUMENTS

D248,008 S * 5/1978 Wojtowicz et al. D7/351
D329,569 S * 9/1992 Ichihara et al. D7/351
D330,144 S * 10/1992 Takebata et al. D7/351
D468,579 S * 1/2003 Sakai et al. D7/351

1 Claim, 5 Drawing Sheets

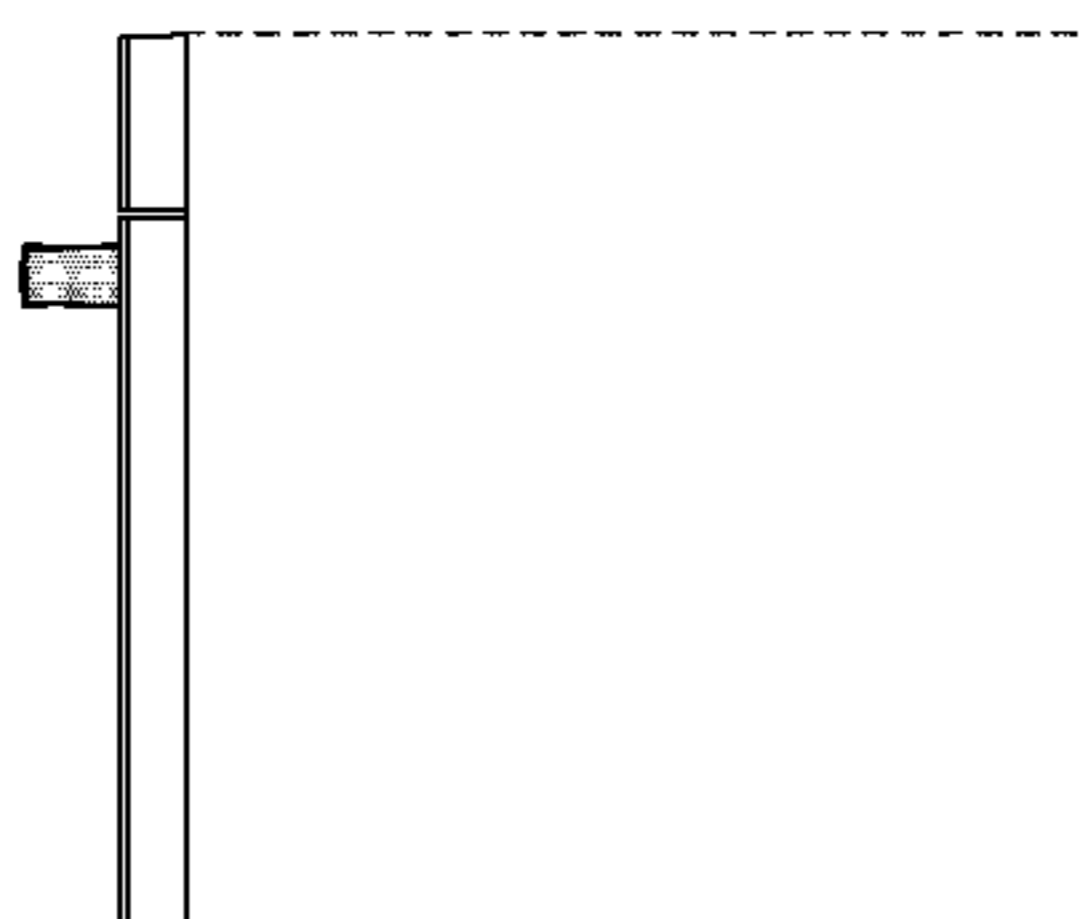
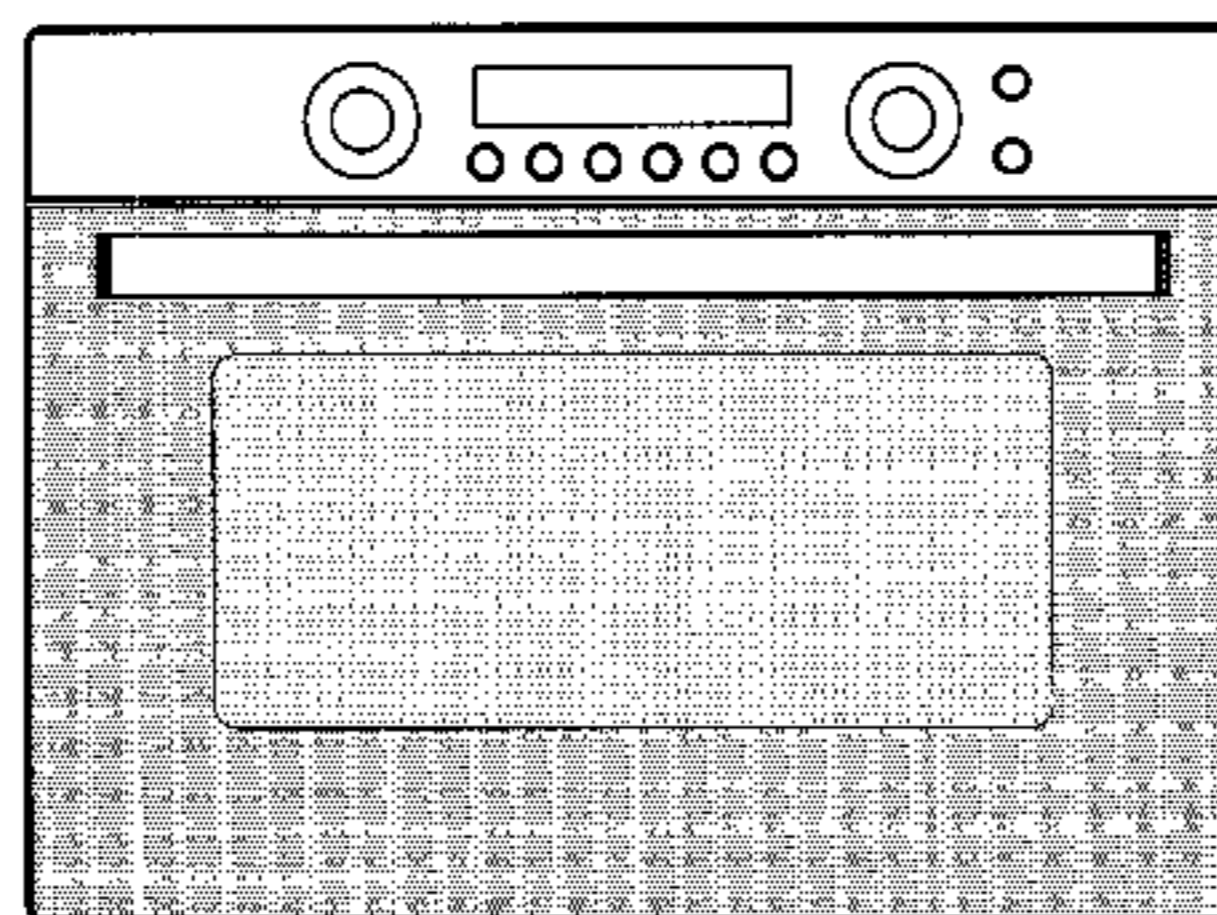
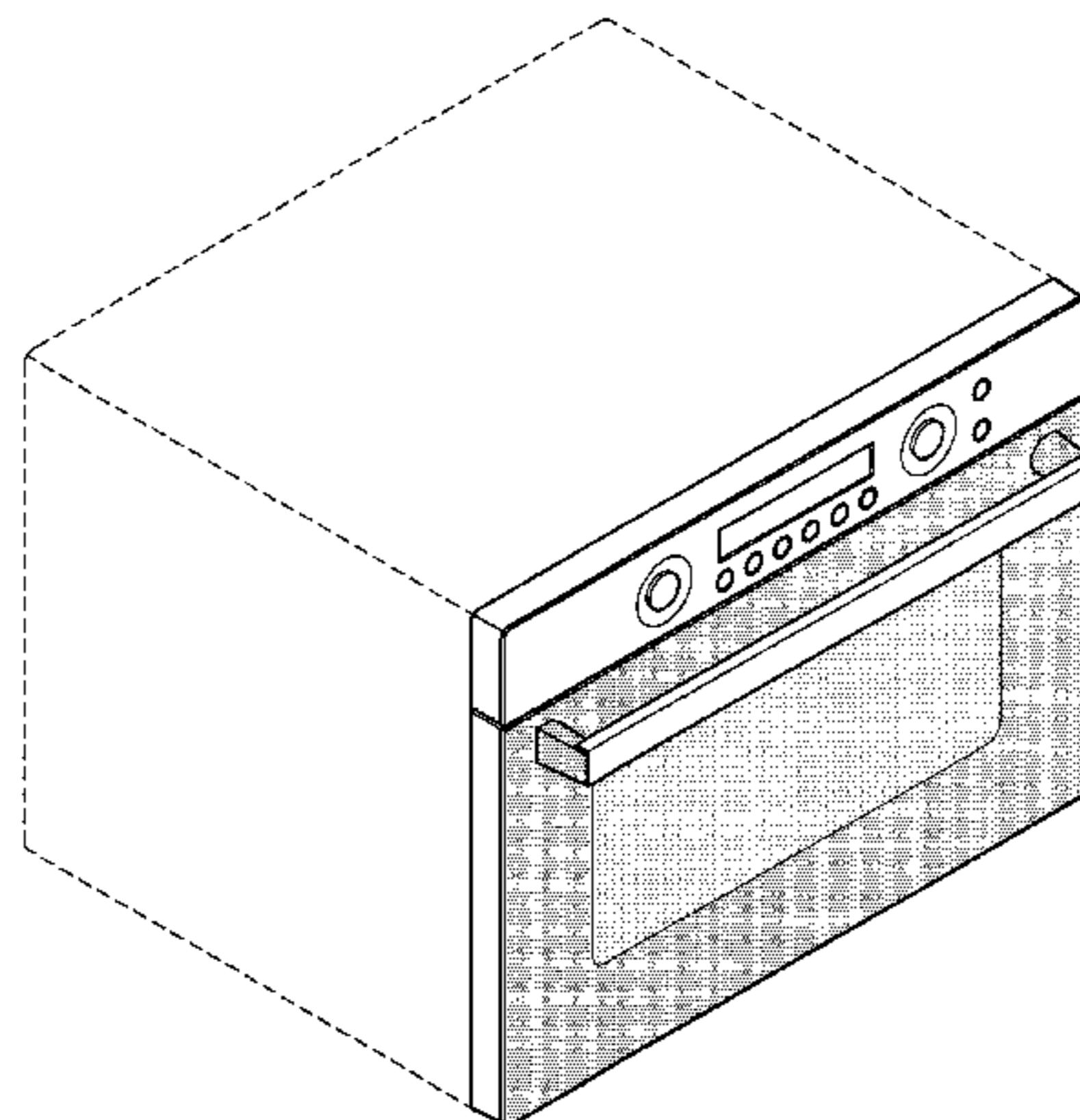


FIG. 1

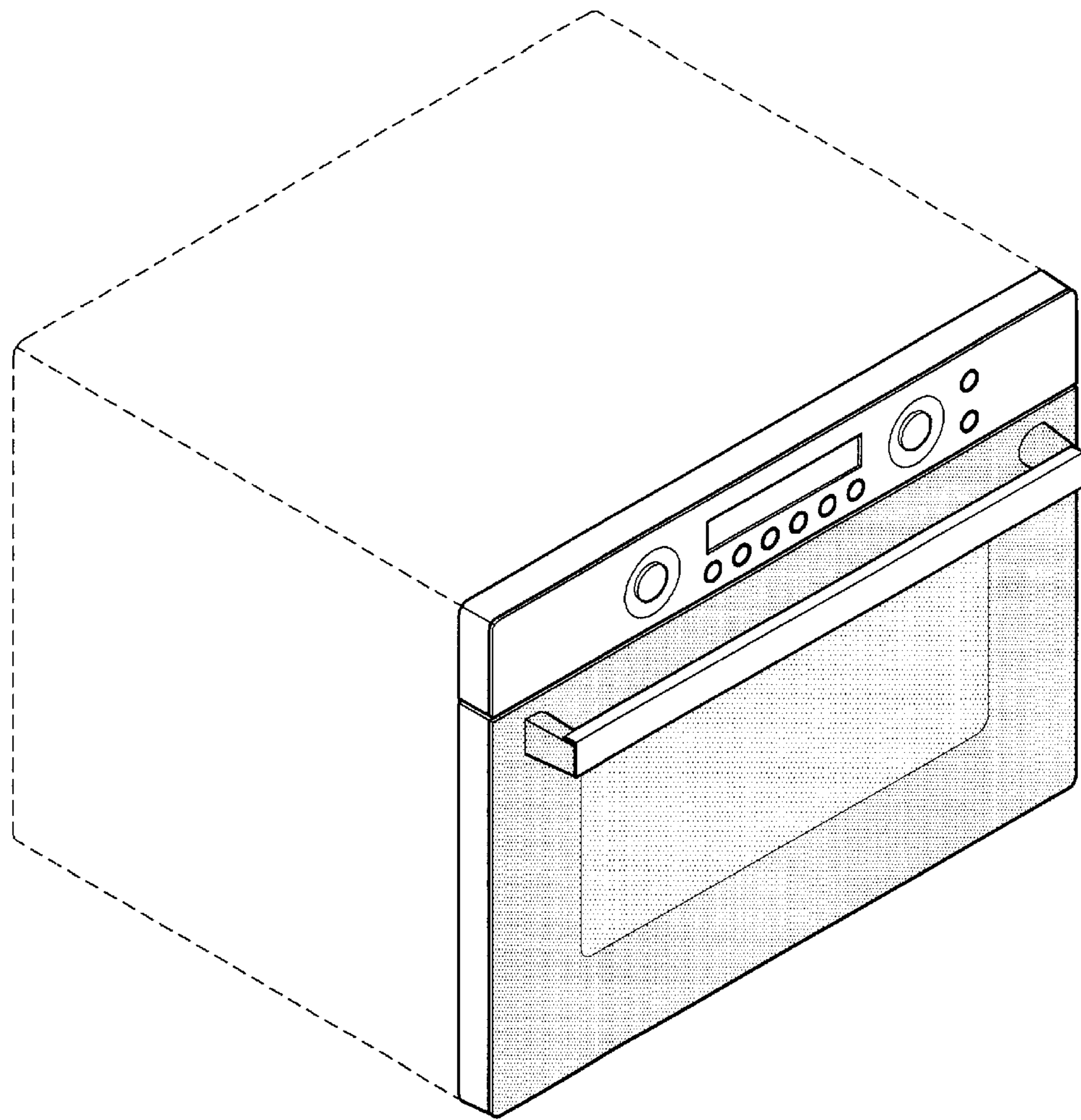


FIG. 2

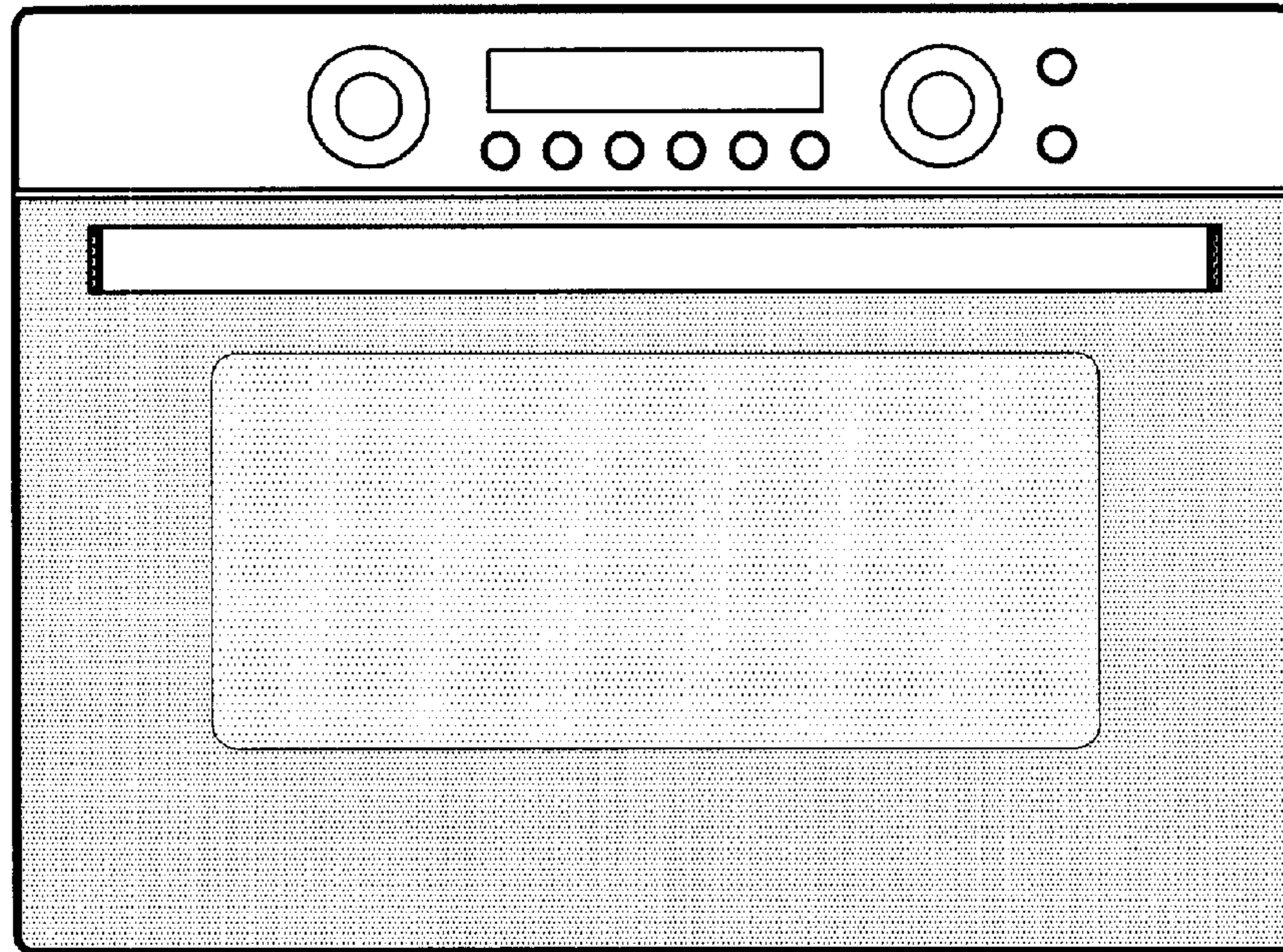


FIG. 3



FIG. 4

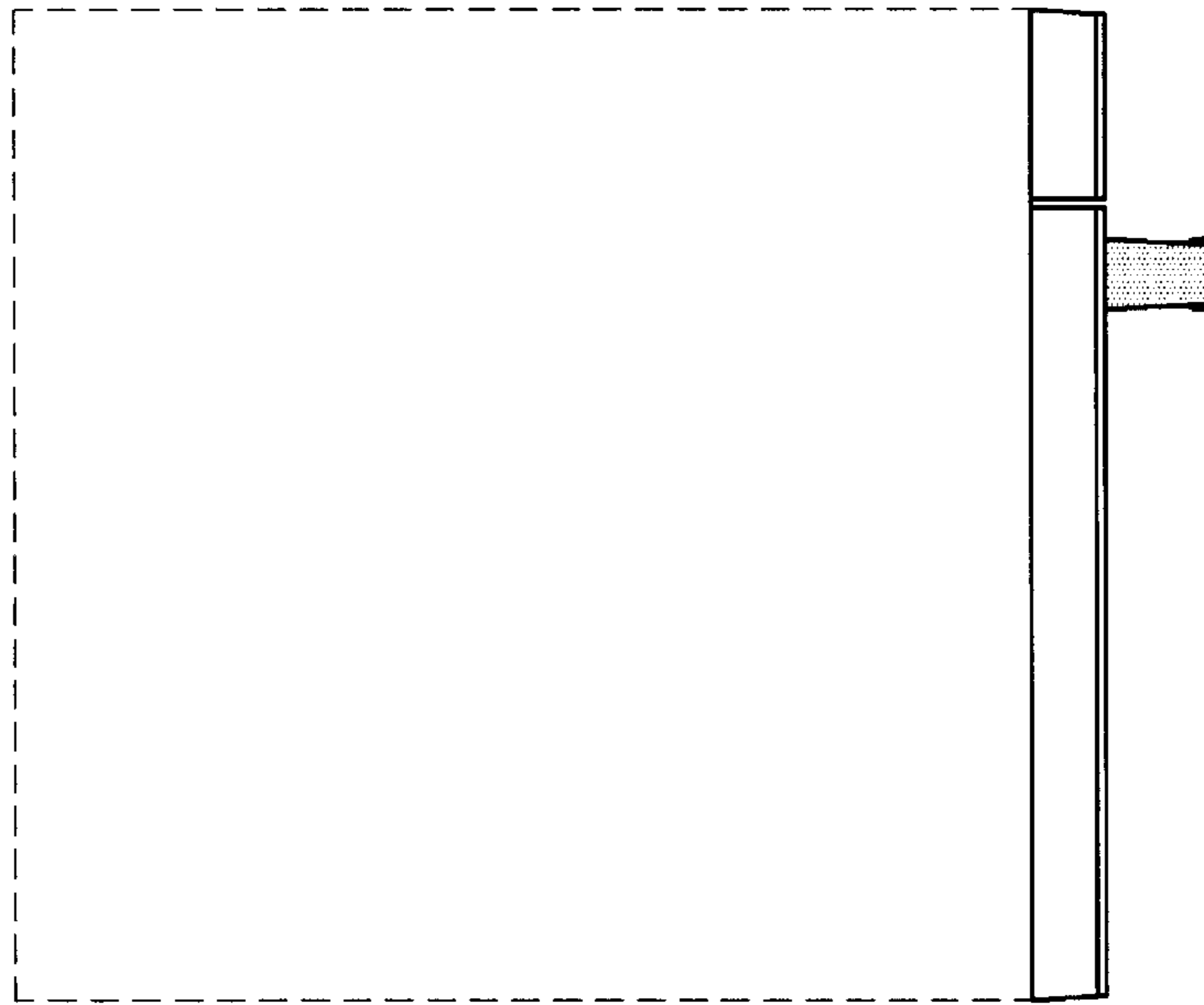


FIG. 5

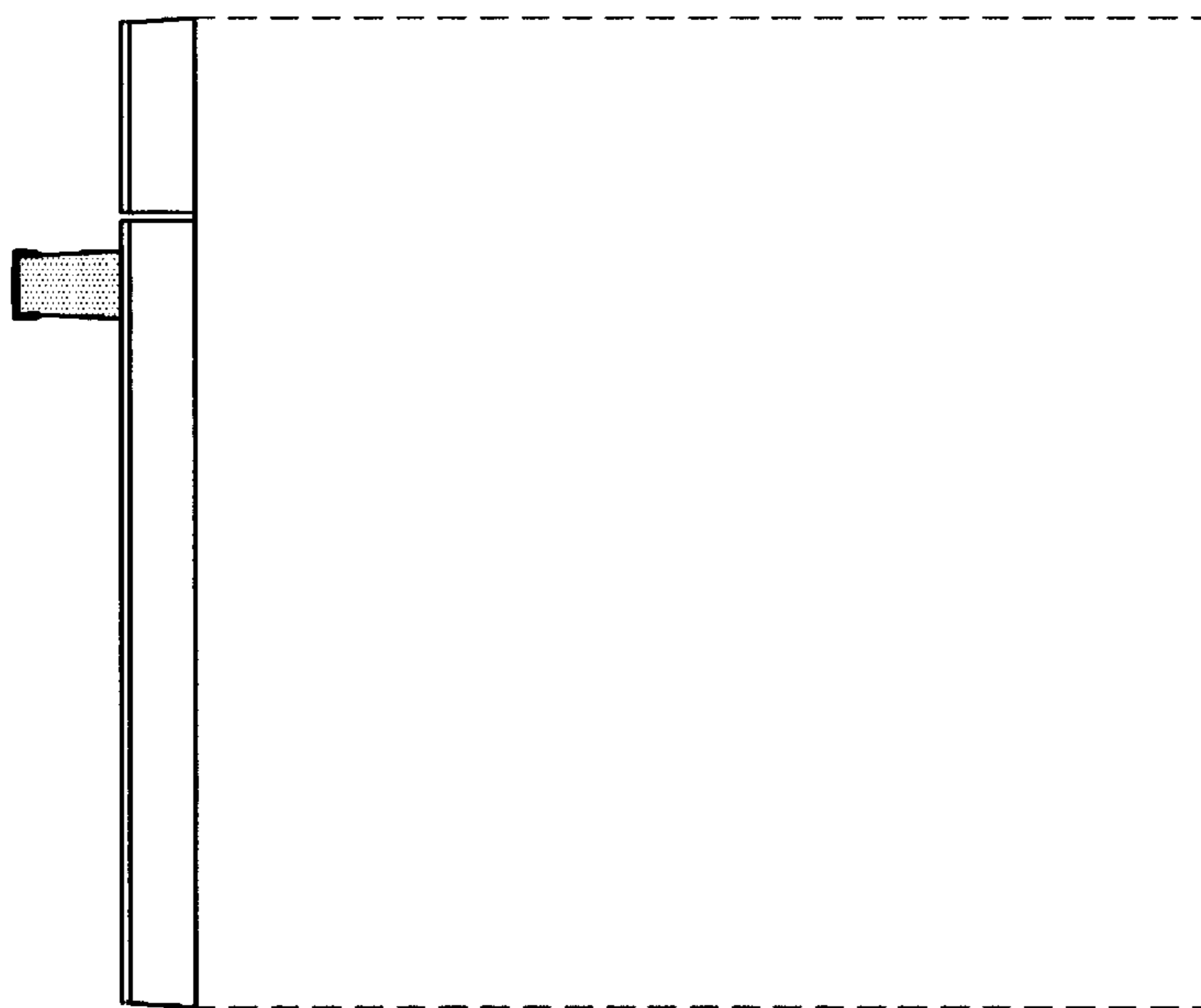


FIG. 6

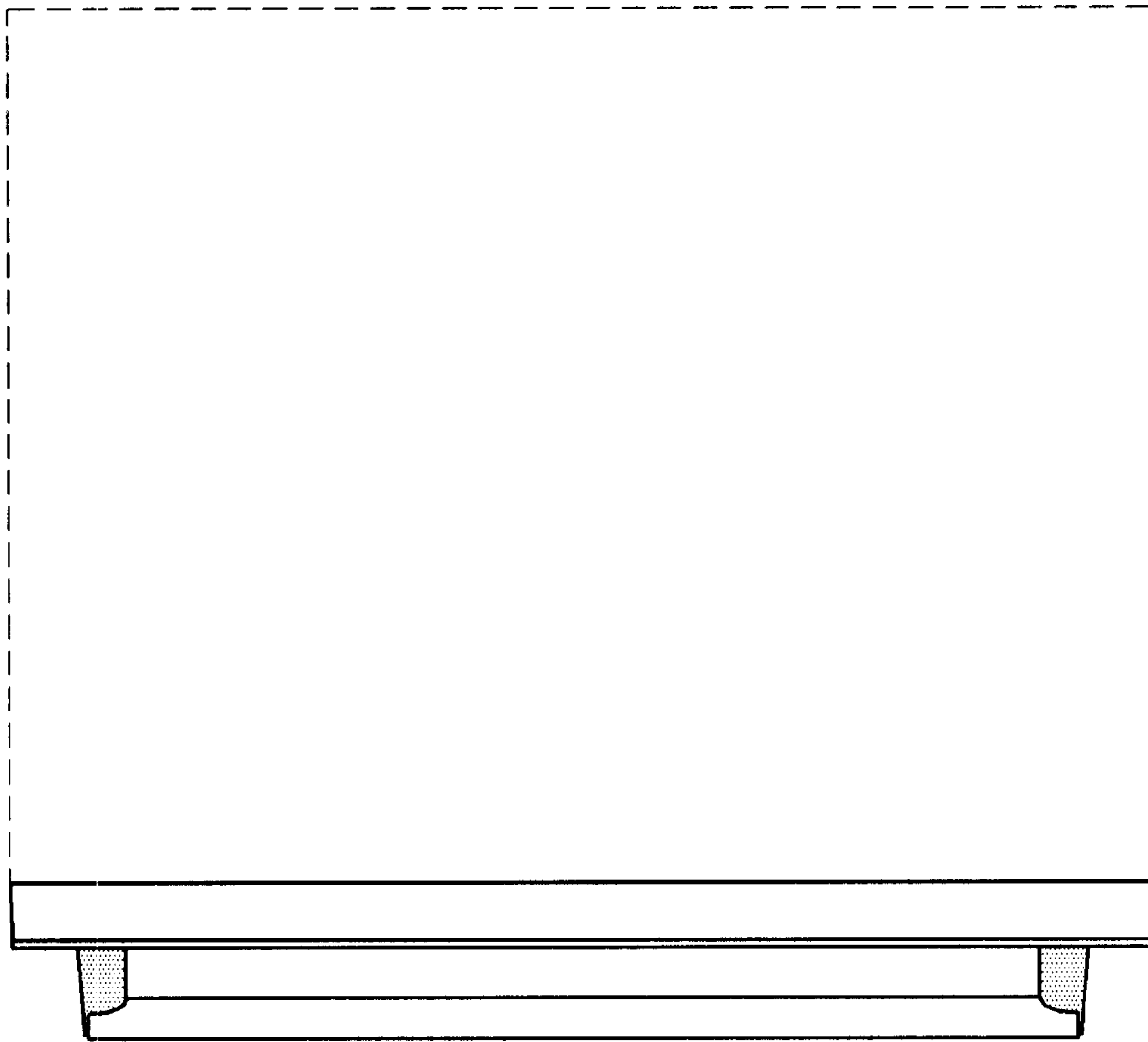


FIG. 7

