

US00D540102S

(12) **United States Design Patent** (10) **Patent No.:** **US D540,102 S**
Carss (45) **Date of Patent:** **** Apr. 10, 2007**

(54) **COFFEE MAKER**

(75) Inventor: **Graham Carss**, Lancs (GB)

(73) Assignees: **Salton, Inc.**, Lake Forest, IL (US);
Salton Europe Limited, Manchester (GB)

(**) Term: **14 Years**

(21) Appl. No.: **29/227,390**

(22) Filed: **Apr. 11, 2005**

(51) **LOC (8) Cl.** **07-01**

(52) **U.S. Cl.** **D7/309; D7/311**

(58) **Field of Classification Search** D7/300,
D7/305-311; 222/185.1, 129.1; 99/290-292,
99/307, 305, 279

See application file for complete search history.

(56) **References Cited**

U.S. PATENT DOCUMENTS

D240,386 S	*	7/1976	Stuetzer	D7/309
D304,410 S	*	11/1989	Tsuji	D7/309
D337,915 S	*	8/1993	Kahlcke	D7/308
D489,214 S	*	5/2004	Noda et al.	D7/309
6,857,351 B2	*	2/2005	Cutter et al.	99/279
7,089,849 B2	*	8/2006	Chen et al.	99/290

* cited by examiner

Primary Examiner—M. N. Pandozzi

(74) *Attorney, Agent, or Firm*—Sonnenschein Nath & Rosenthal LLP

(57) **CLAIM**

The ornamental design for a coffee maker, as shown and described.

DESCRIPTION

FIG. 1 is a front view of a coffee maker showing the new design;

FIG. 2 is a back view of the coffee maker as shown in FIG. 1;

FIG. 3 is a perspective view of the coffee maker as shown in FIG. 1;

FIG. 4 is a right side view of the coffee maker as shown in FIG. 1;

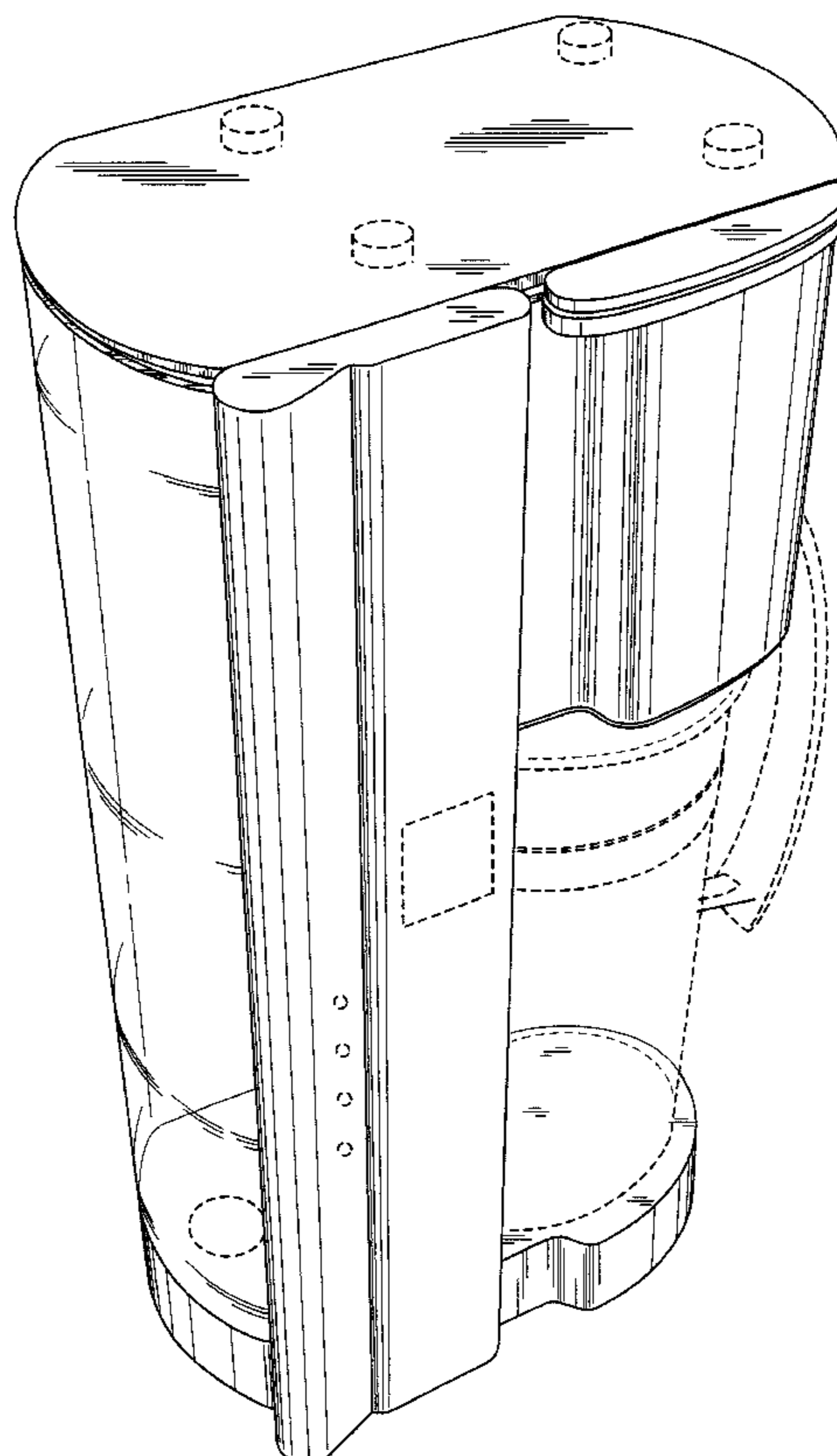
FIG. 5 is a left side view of the coffee maker as shown in FIG. 1;

FIG. 6 is a top view of the coffee maker as shown in FIG. 1; and,

FIG. 7 is a bottom view of the coffee maker as shown in FIG. 1.

Features shown in dashed lines immediately adjacent the shaded areas or adjacent the solid lines represent the bounds of the claim and all other dashed lines are for illustrative purposes only. None of the dashed lines form a part of the claimed design.

1 Claim, 6 Drawing Sheets



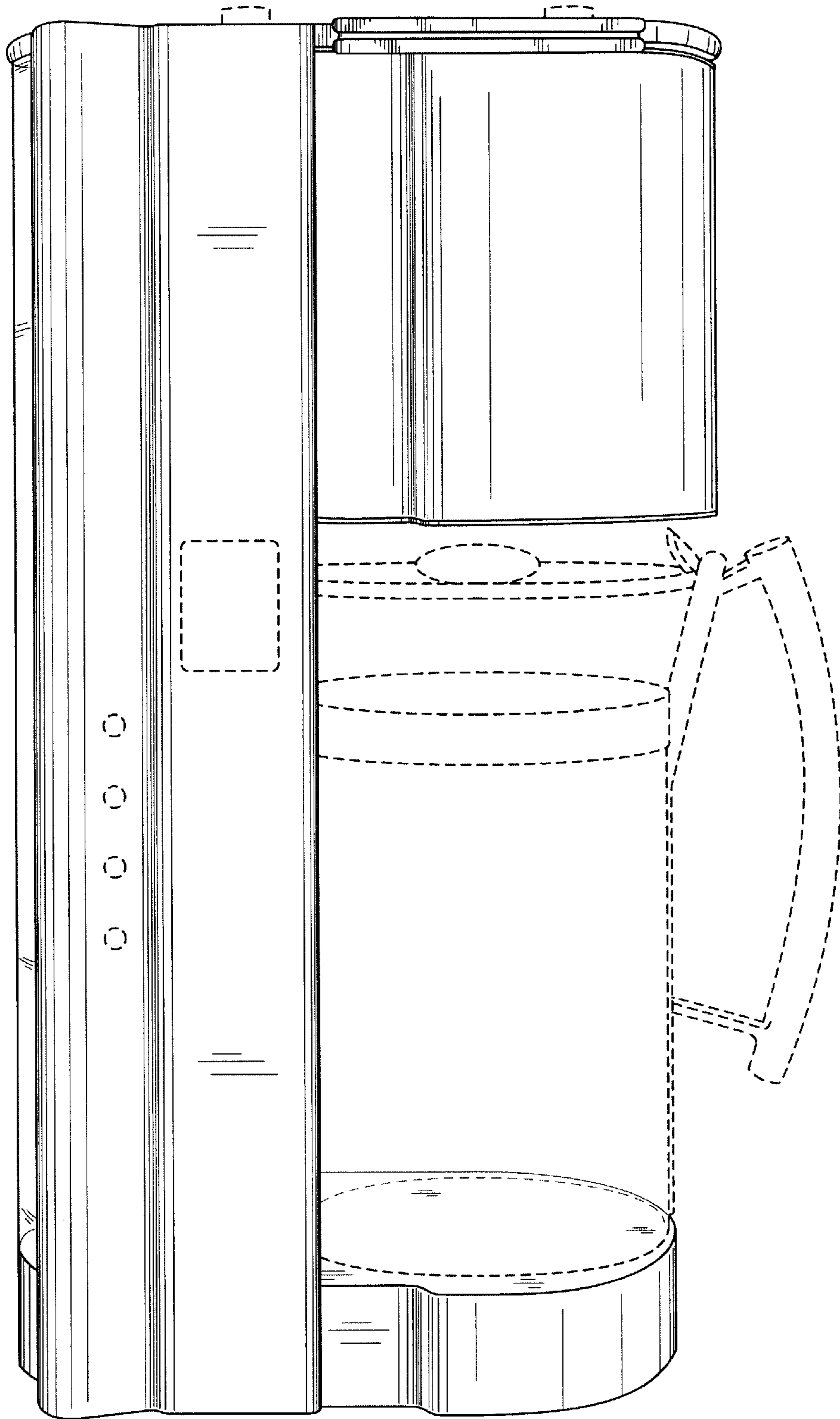


Fig 1

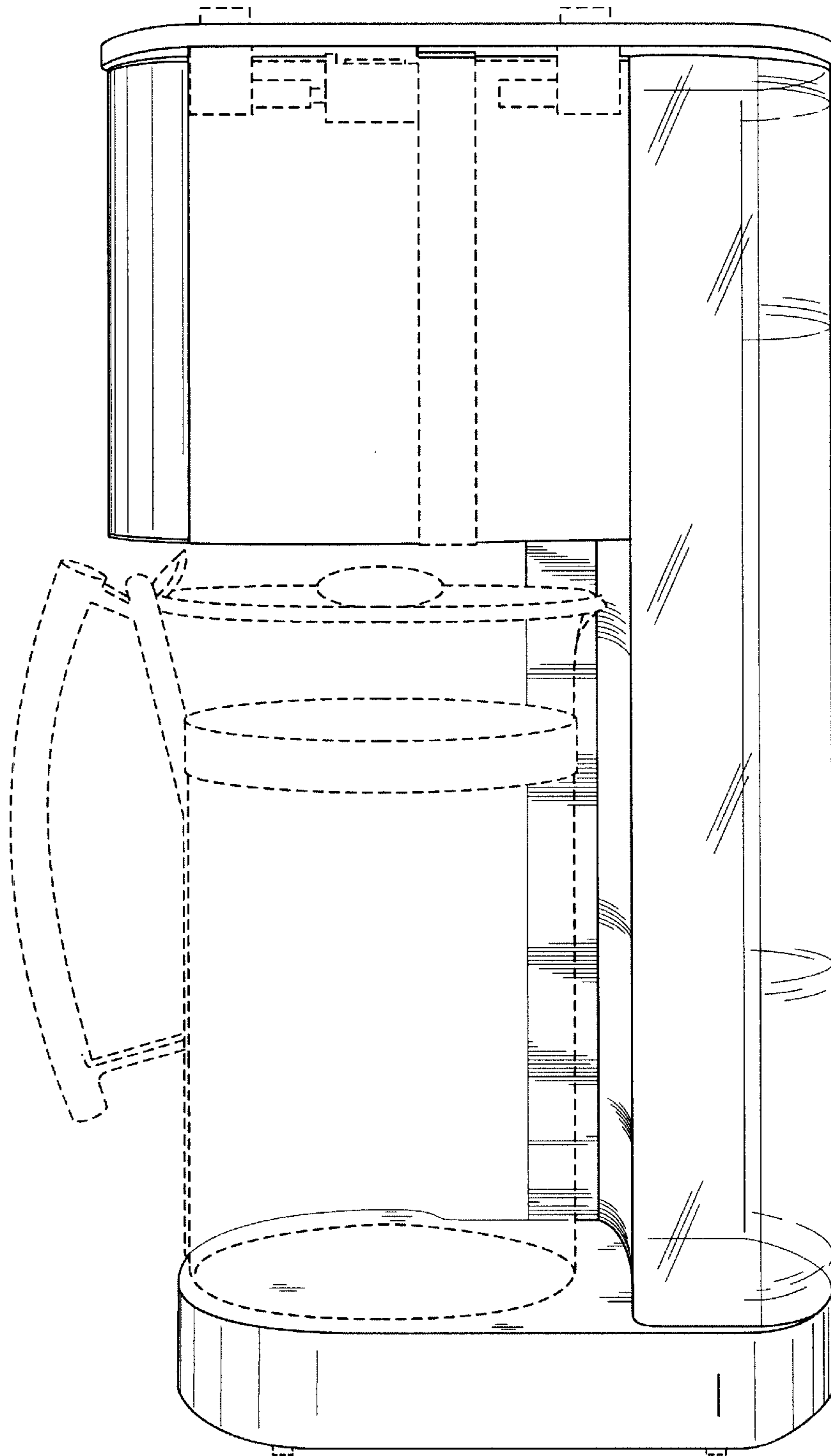


Fig 2

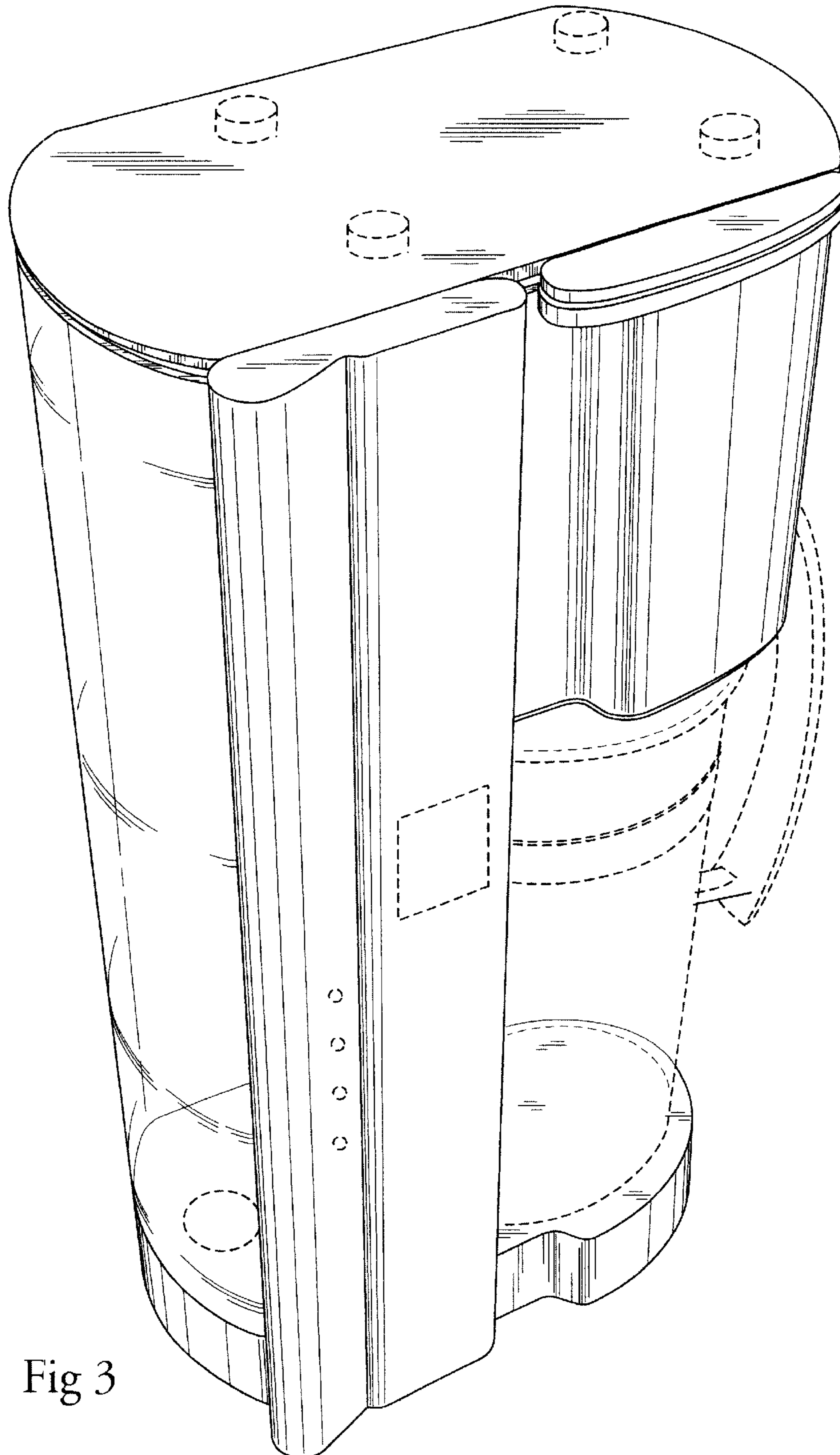


Fig 3

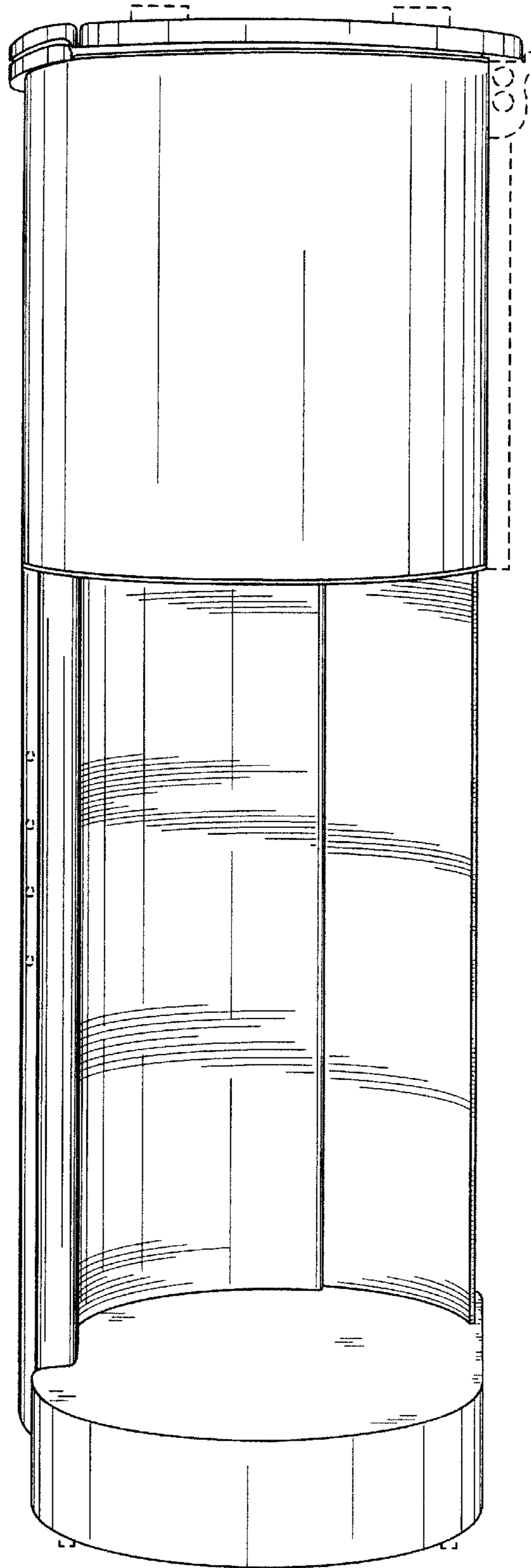


Fig 4

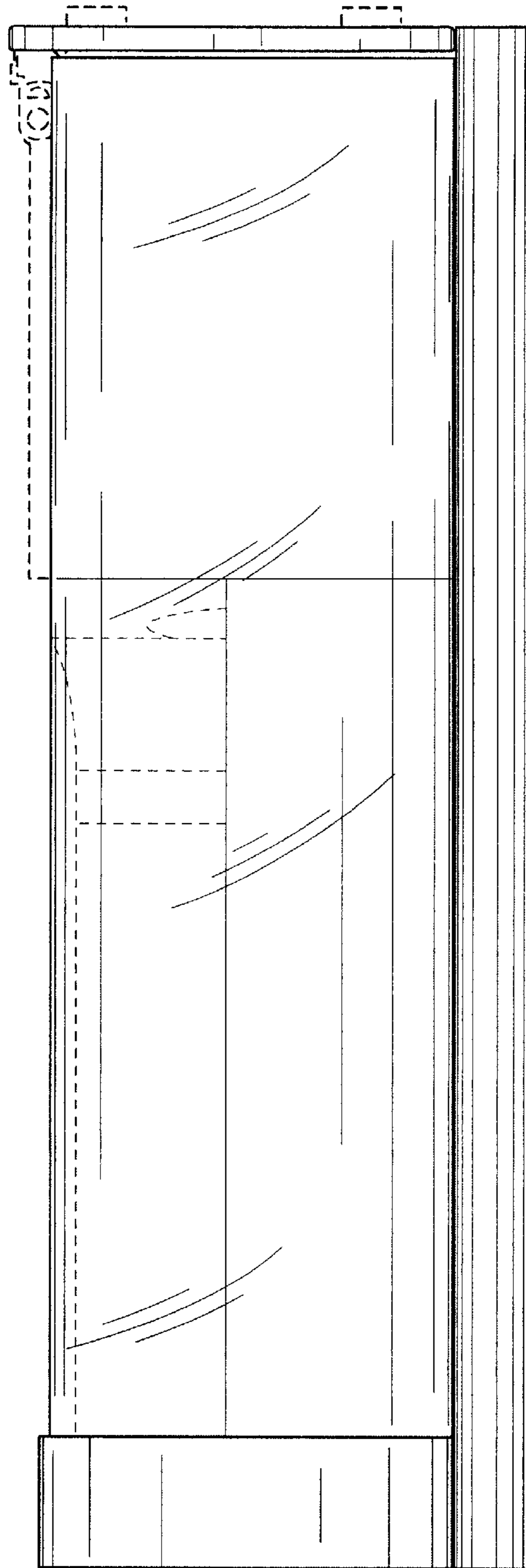


Fig 5

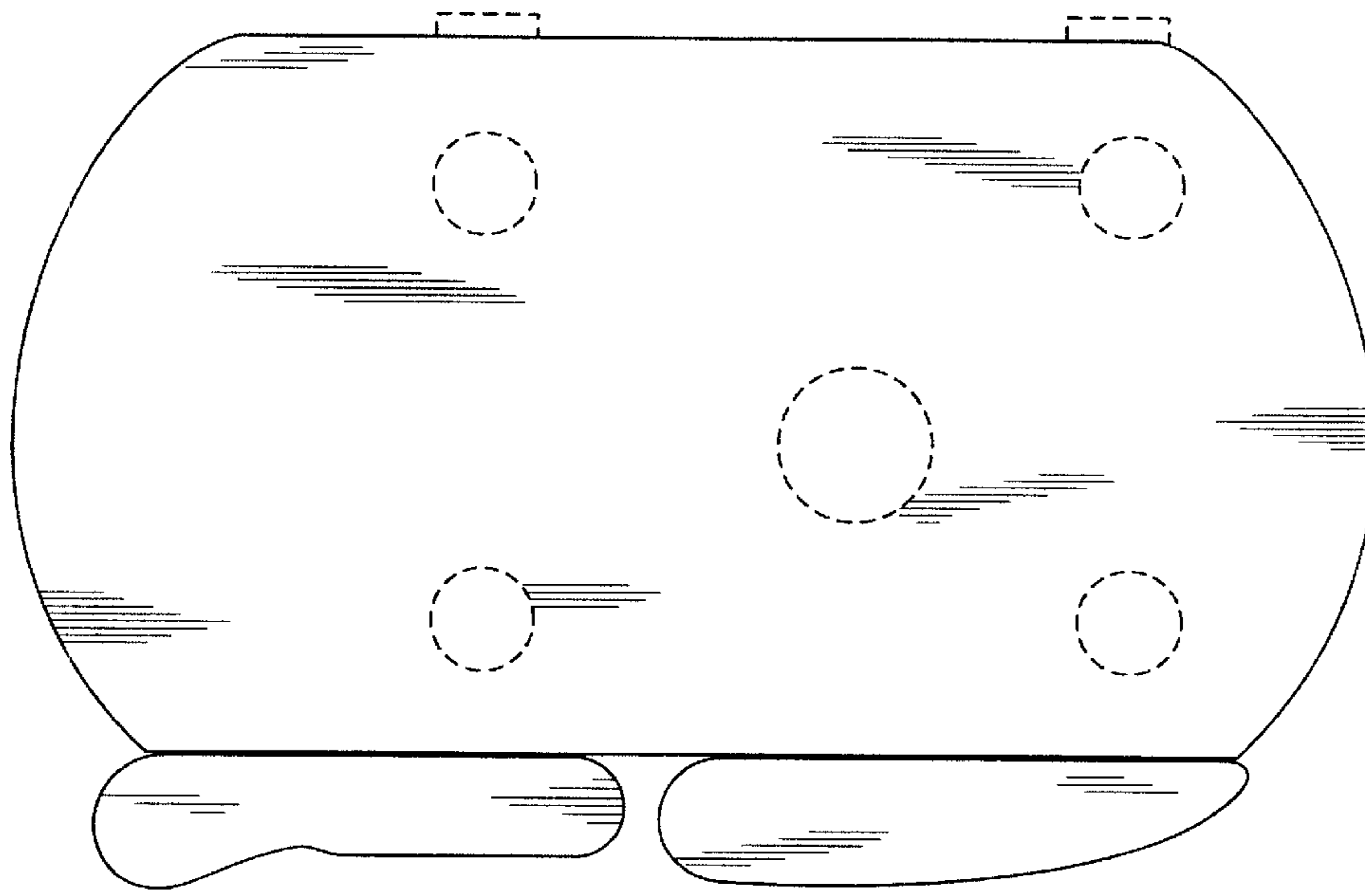


Fig 6

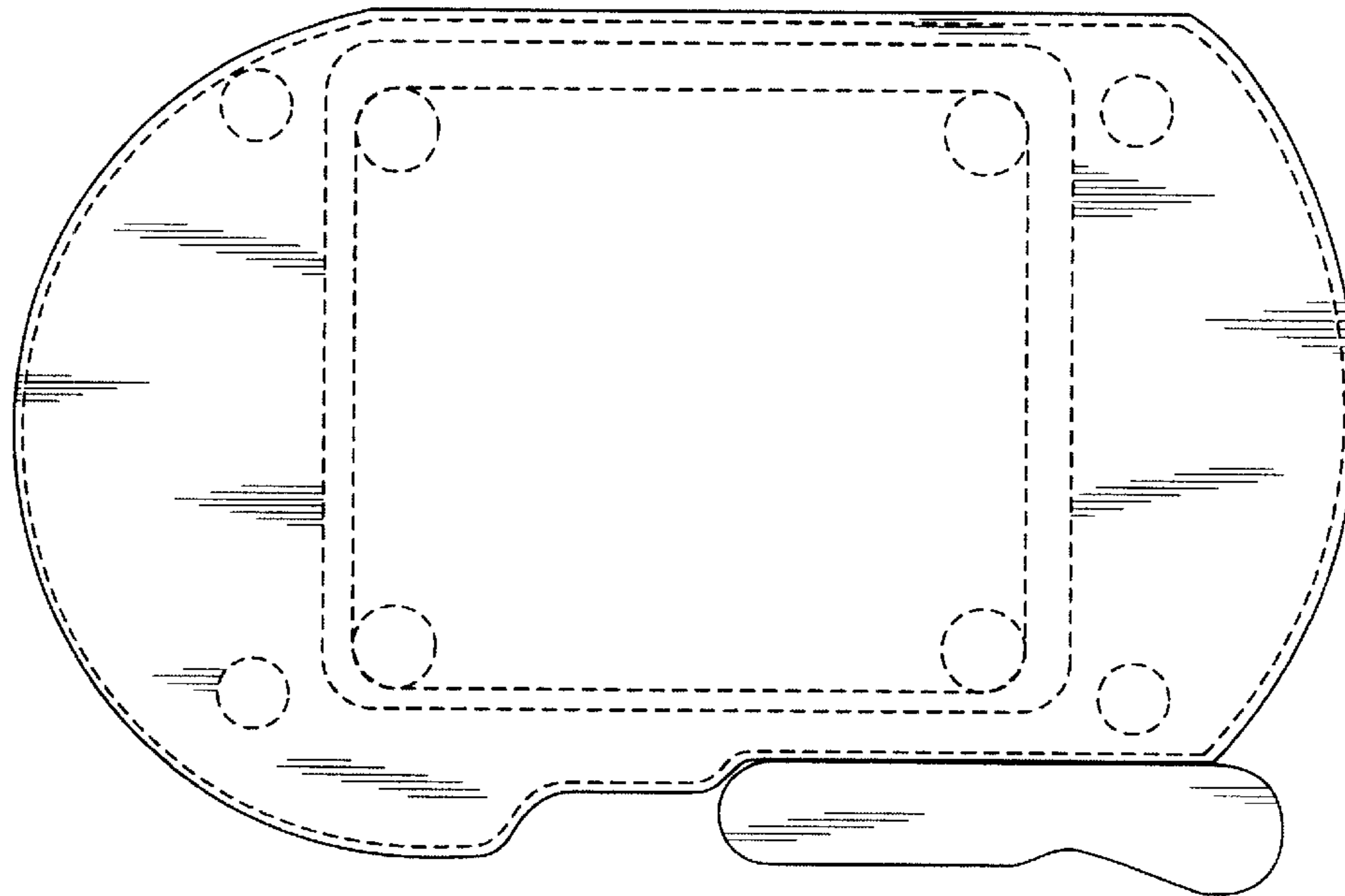


Fig 7